



US00D515689S

(12) **United States Design Patent** (10) **Patent No.:** **US D515,689 S**
Jones (45) **Date of Patent:** **** Feb. 21, 2006**

(54) **ELECTRIC FAN**

(75) Inventor: **Dominic Jones**, Brighton, MA (US)

(73) Assignee: **Fourstar Group Inc.** (TW)

(**) Term: **14 Years**

(21) Appl. No.: **29/190,864**

(22) Filed: **Sep. 26, 2003**

(51) **LOC (8) Cl.** **23-04**

(52) **U.S. Cl.** **D23/381**

(58) **Field of Classification Search** **D23/370,**
D23/381, 332, 413; 416/247 R, 246
See application file for complete search history.

(56) **References Cited**

U.S. PATENT DOCUMENTS

D413,685 S	*	9/1999	Lasko et al.	D23/381
D503,975 S	*	4/2005	Jones	D23/370

* cited by examiner

Primary Examiner—Lisa Lichtenstein

(74) *Attorney, Agent, or Firm*—Salter & Michaelson

(57) **CLAIM**

The ornamental design for an electric fan, as shown and described.

DESCRIPTION

FIG. 1 is a perspective view of an electric fan showing my new design;

FIG. 2 is a front elevational view thereof;

FIG. 3 is a rear elevational view thereof;

FIG. 4 is a left side elevational view thereof;

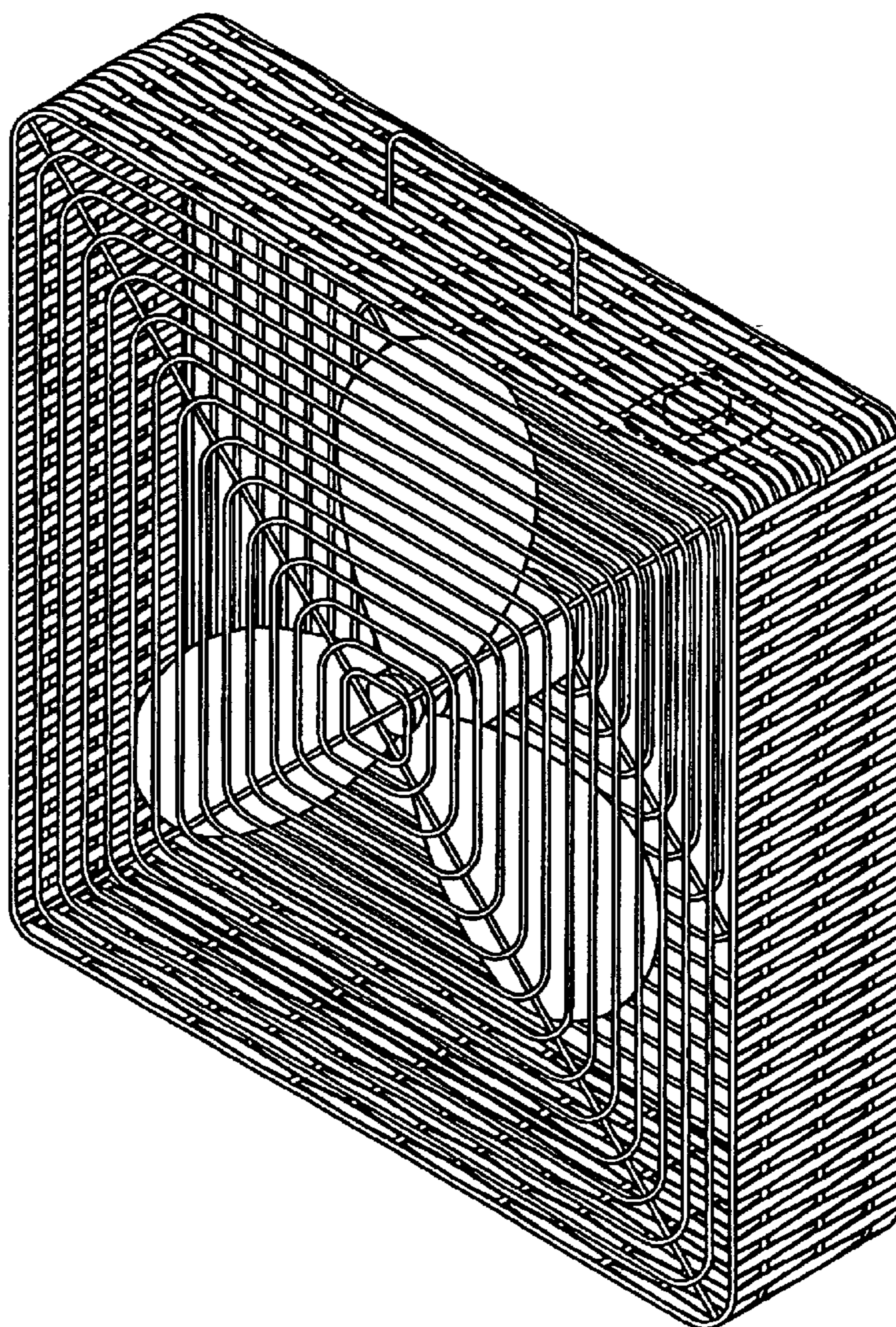
FIG. 5 is a right side elevational view thereof;

FIG. 6 is a top plan view thereof; and,

FIG. 7 is a bottom plan view thereof.

The portions shown in broken lines in FIGS. 1 through 6 are for illustration only and form no part of the claimed design.

1 Claim, 4 Drawing Sheets



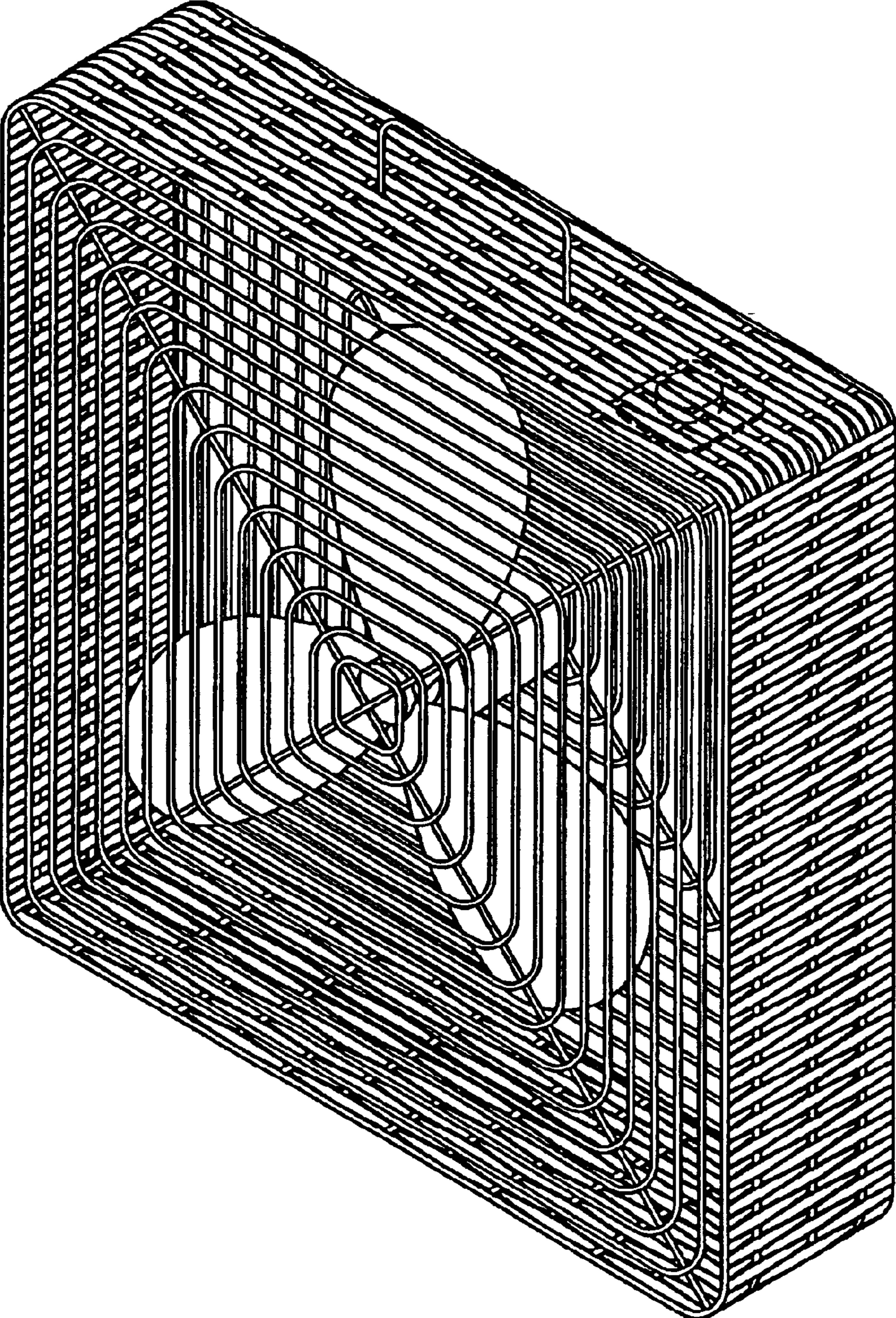


FIG. 1

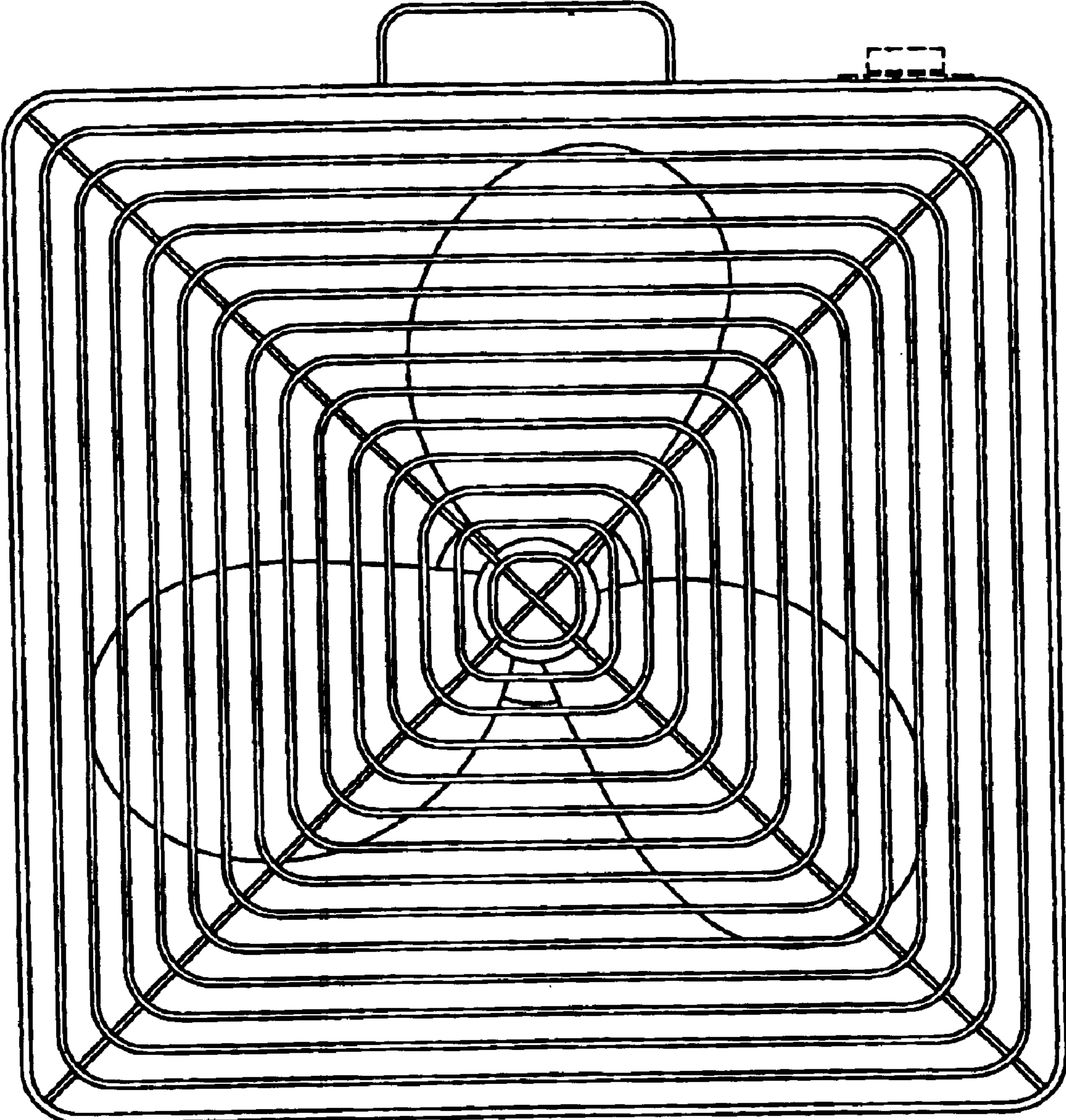


FIG. 2

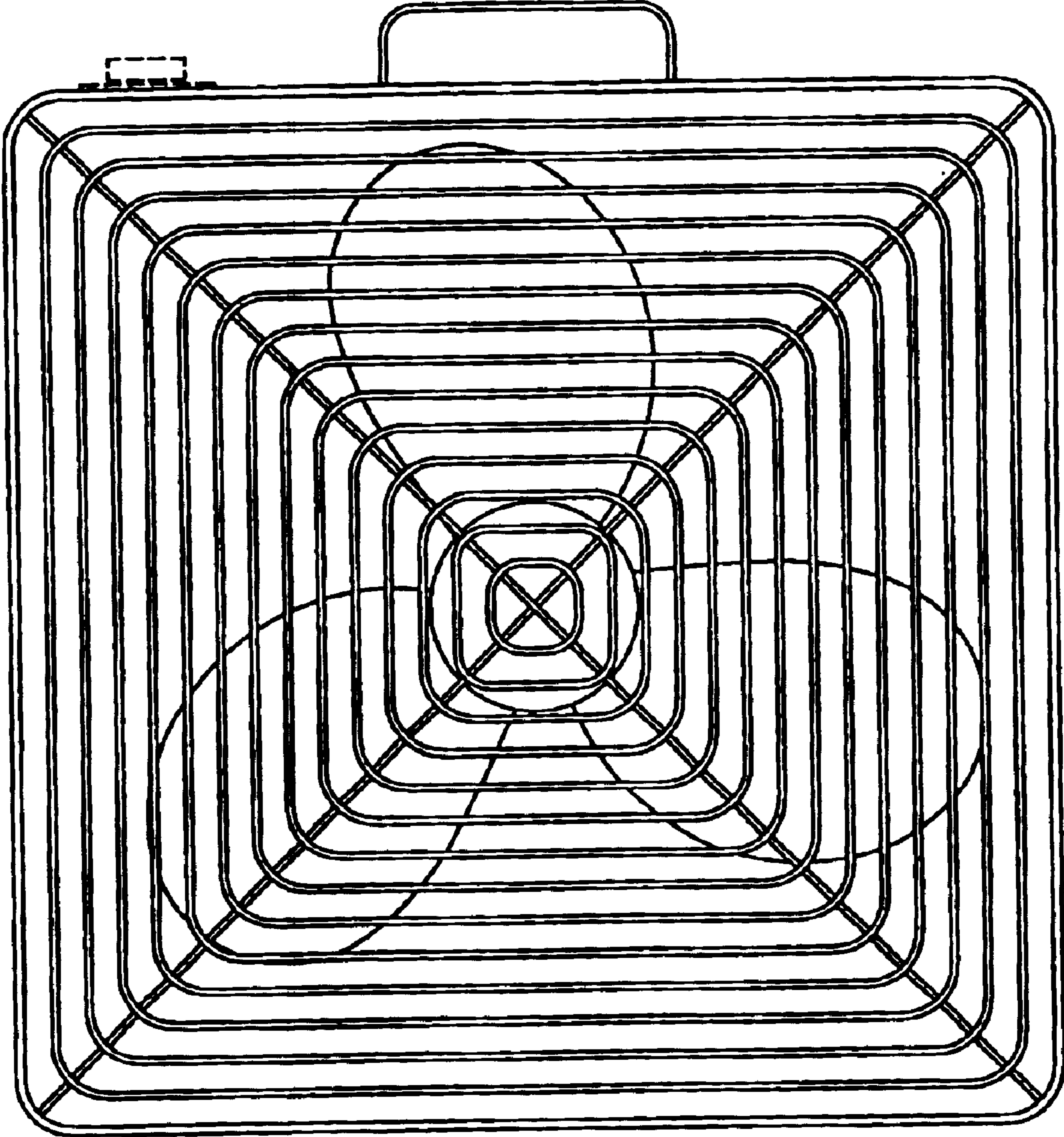


FIG. 3

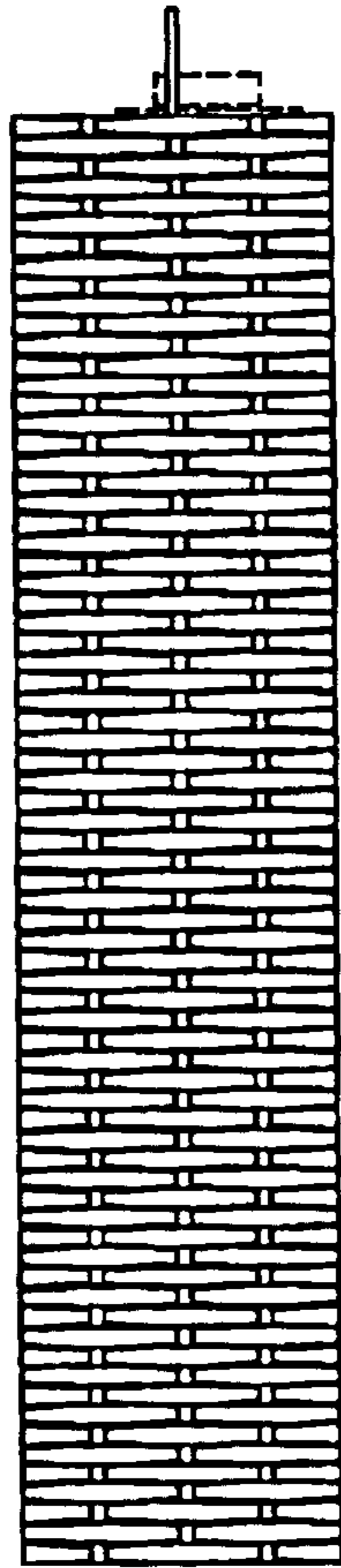


FIG. 4

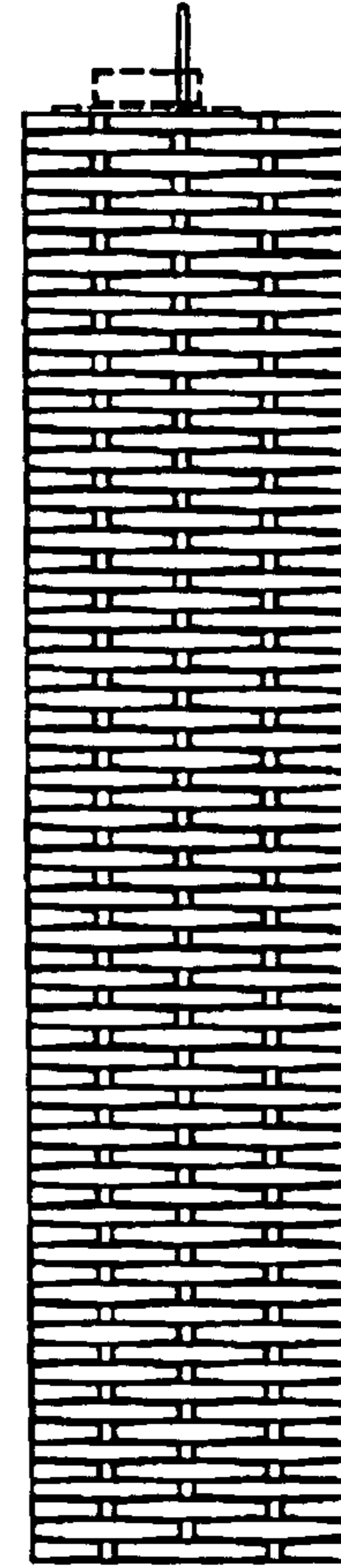


FIG. 5

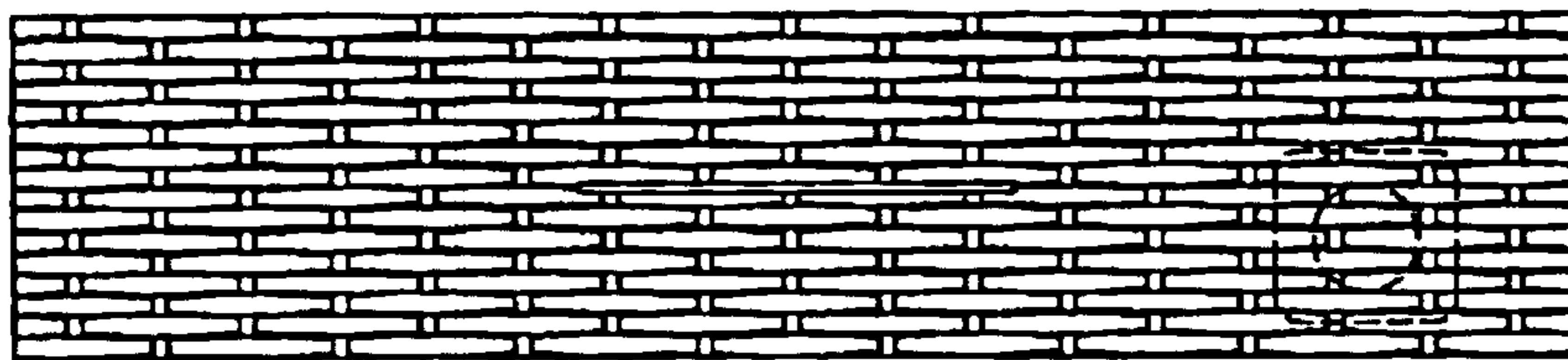


FIG. 6

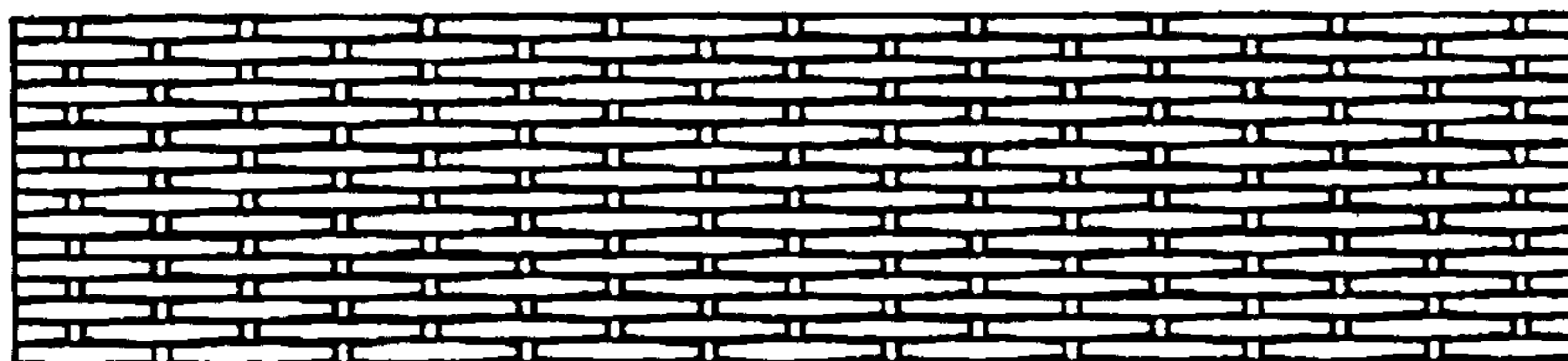


FIG. 7