



US00D515686S

(12) **United States Design Patent**
Young

(10) **Patent No.:** **US D515,686 S**

(45) **Date of Patent:** **** Feb. 21, 2006**

(54) **COMBINATION CEILING FAN AND LIGHT FIXTURE**

(75) Inventor: **Stanfield Young**, Garden Grove, CA (US)

(73) Assignee: **Minka Lighting, Inc.**, Corona, CA (US)

(**) Term: **14 Years**

(21) Appl. No.: **29/204,852**

(22) Filed: **May 5, 2004**

(51) **LOC (8) Cl.** **23-04**

(52) **U.S. Cl.** **D23/377; D26/59**

(58) **Field of Classification Search** D23/377,
D23/379, 385, 413, 411; 416/5; D26/59,
D26/51, 81-86, 88, 72

See application file for complete search history.

(56) **References Cited**

U.S. PATENT DOCUMENTS

D328,785 S * 8/1992 Markwardt D23/377
D480,465 S 10/2003 Wilson
D492,022 S * 6/2004 Young D23/377

OTHER PUBLICATIONS

Hampton Bay Ceiling Fans; vol. 1; Spring/Summer 2004; p. 27, Mar. 2004, Home Depot, Inc. USA.

Craftmade 2003 New Products Jan. Update; p. 4, Jan. 2003, Craftmade, Inc. USA.

Home Lighting & Accessories; vol. 87, No. 3; p. 109 (The Oslo Collection), p. 110 (Kitty Hawk) and p. 121 (Voyager), Mar. 2004, The Oslo Collection by Ellington Fans; Kitty Hawk Ceiling Fan by Emerson Fans; Voyager by Concord Fans.

Expo Design Center Advertisement; Hampton Bay Gallery Cessna Ceiling Fan; p. 299, Apr. 2004, Home Depot, Inc. USA.

* cited by examiner

Primary Examiner—Lisa Lichtenstein

(74) *Attorney, Agent, or Firm*—Baker & McKenzie LLP

(57) **CLAIM**

The ornamental design for a combination ceiling fan and light fixture, as shown and described.

DESCRIPTION

FIG. 1 is a perspective view from below of a combination ceiling fan and light fixture in accordance with my design; FIG. 2 is a perspective view from below of the combination ceiling fan and light fixture in accordance with my design; FIG. 3 is an enlarged perspective view from below of the combination ceiling fan and light fixture in accordance with my design;

FIG. 4 is a top plan view of the combination ceiling fan and light fixture in accordance with my design;

FIG. 5 is a bottom plan view of the combination ceiling fan and light fixture in accordance with my design;

FIG. 6 is a front elevation view of the combination ceiling fan and light fixture in accordance with my design;

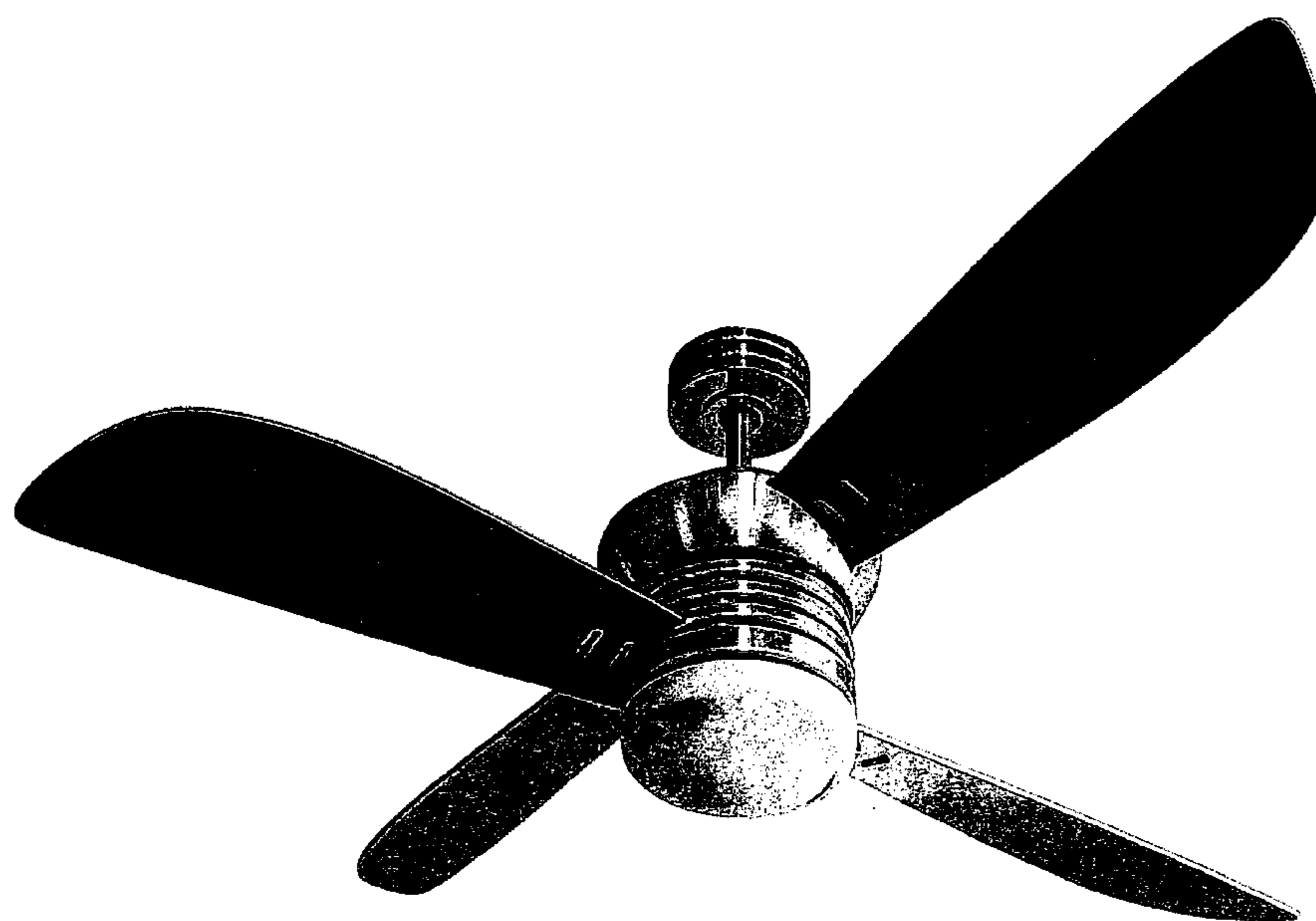
FIG. 7 is a side elevation view of the combination ceiling fan and light fixture in accordance with my design;

FIG. 8 is a side elevation view of the combination ceiling fan and light fixture in accordance with my design; and,

FIG. 9 is a side elevation view of the combination ceiling fan and light fixture in accordance with my design.

FIGS. 6, 7, 8 and 9 are identical except for the positioning of the fan blades.

1 Claim, 8 Drawing Sheets



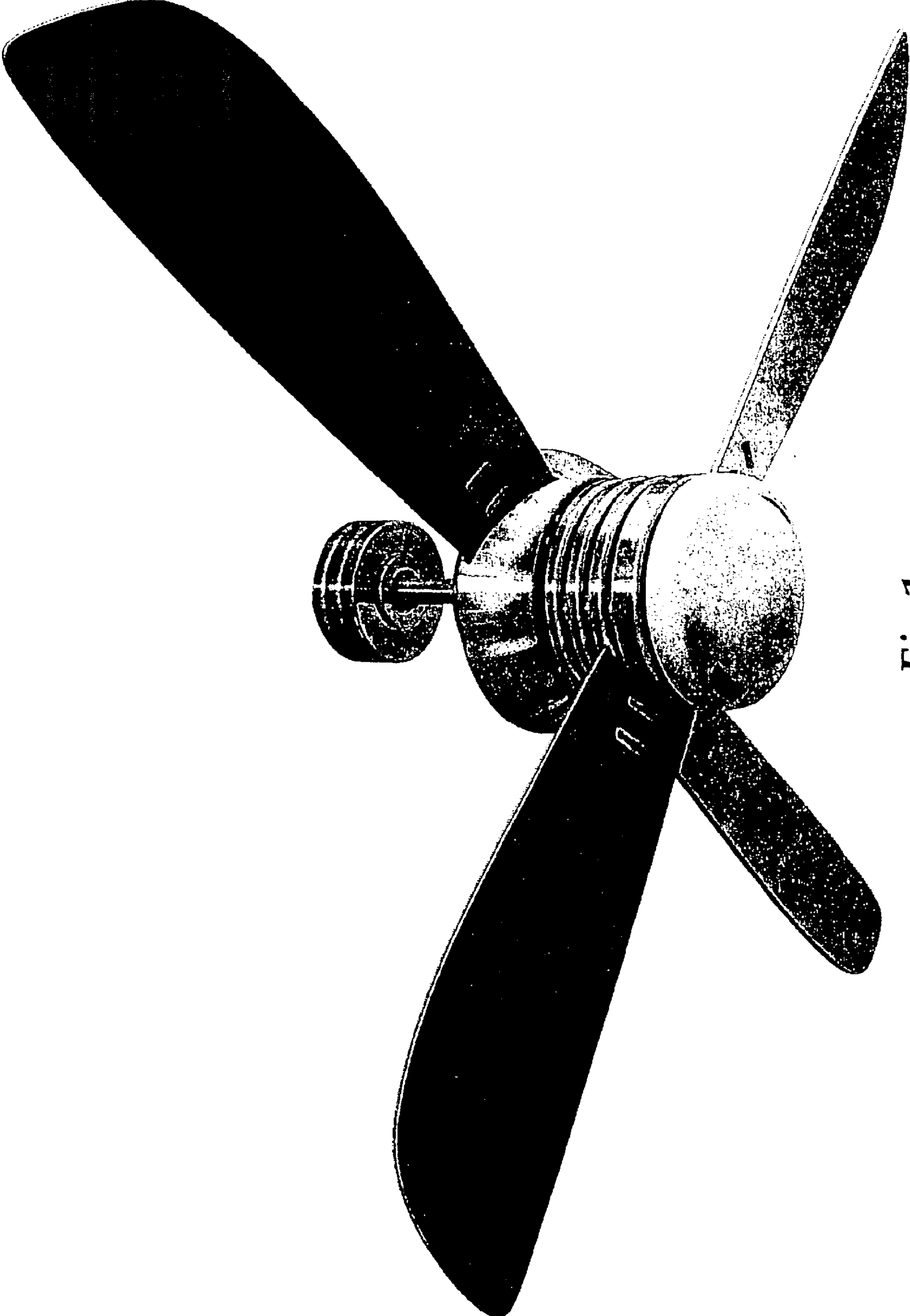


Fig. 1

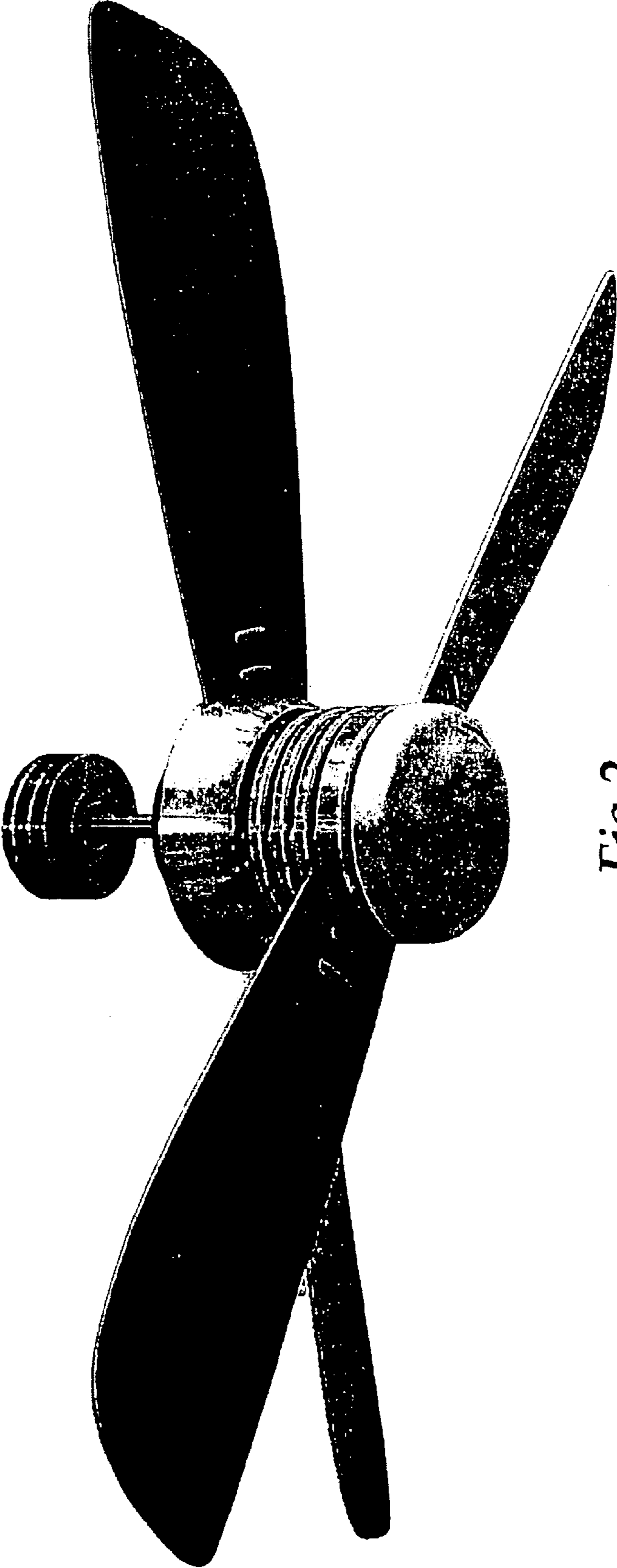


Fig.2

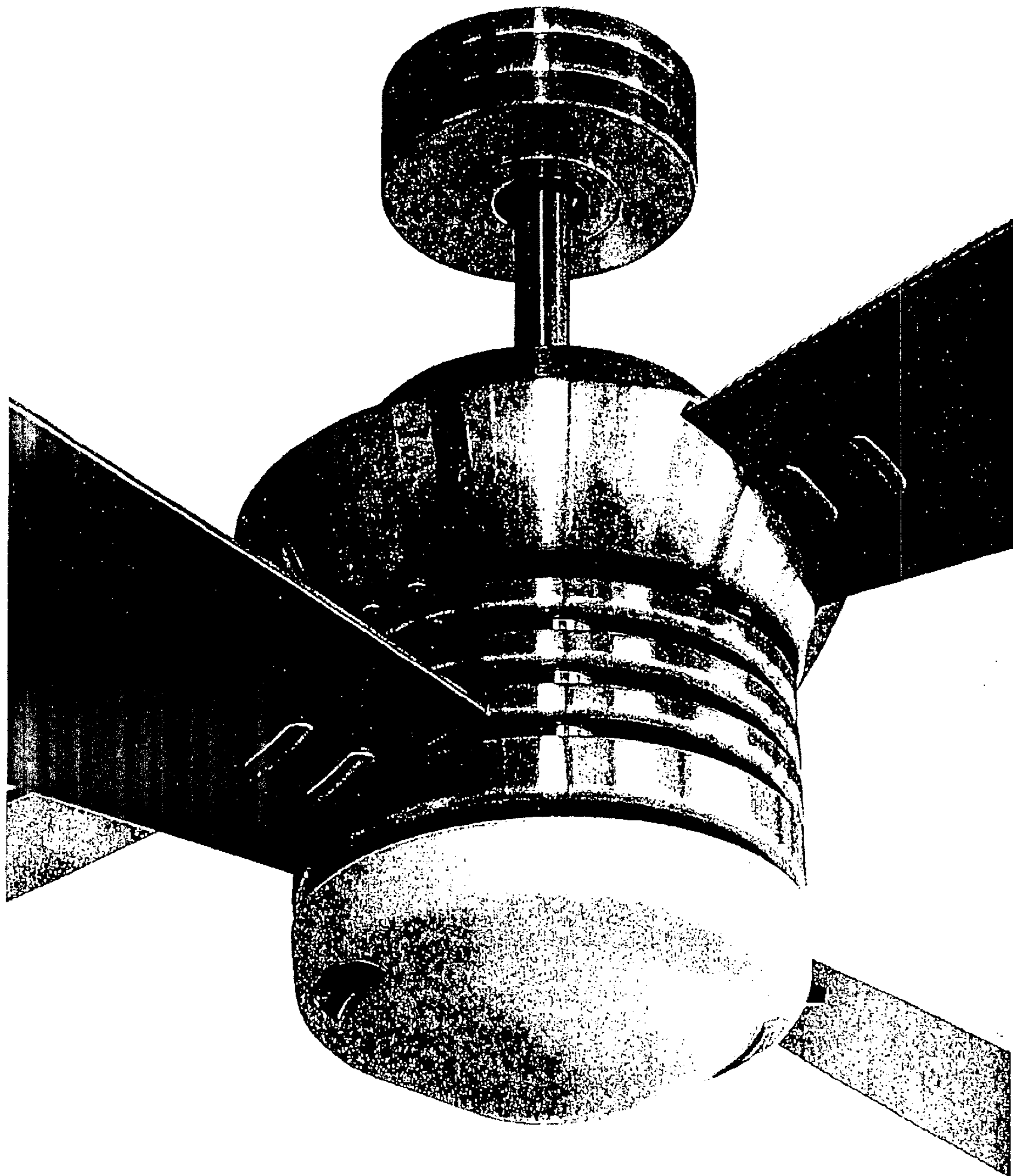


Fig.3

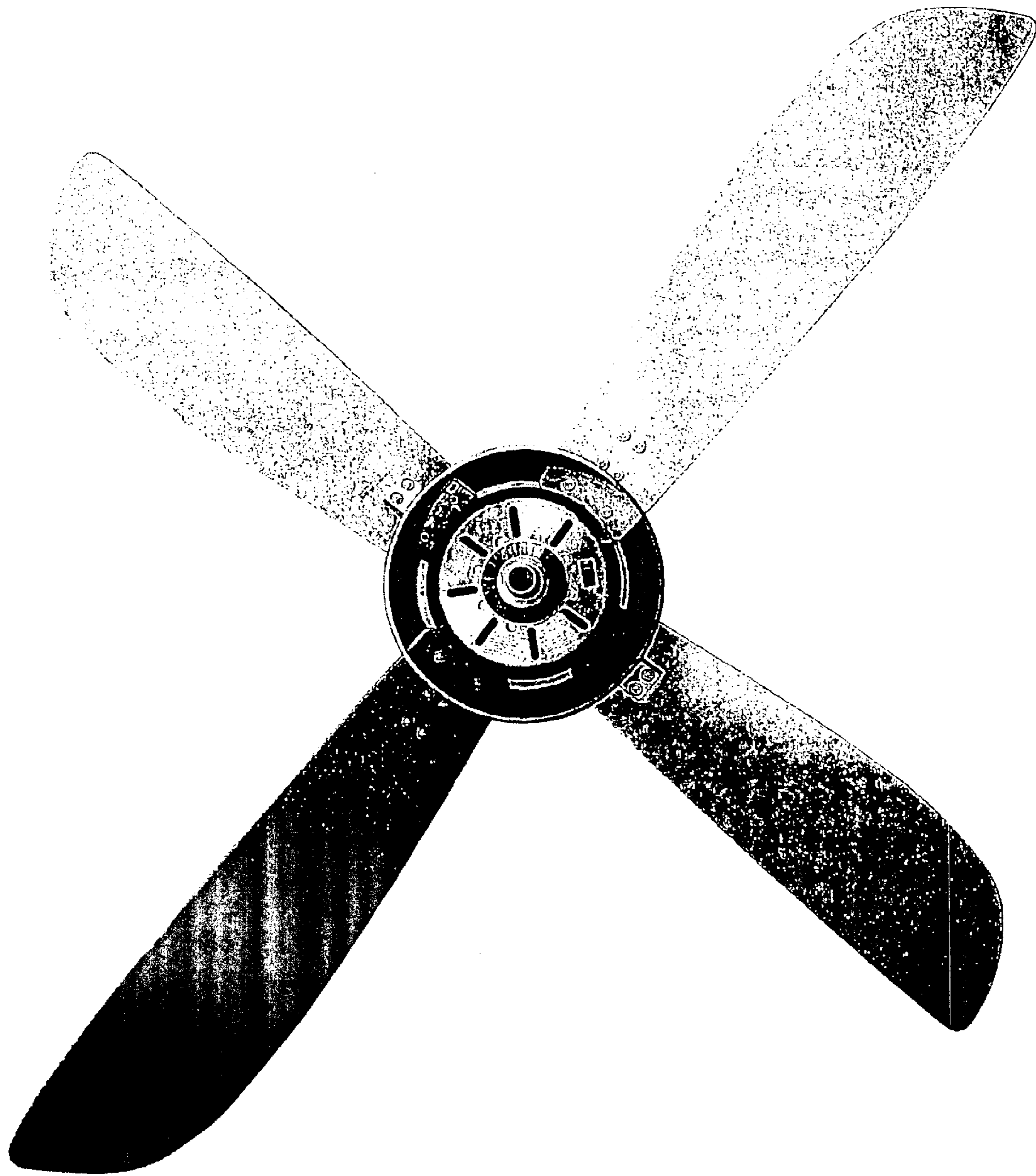


Fig.4

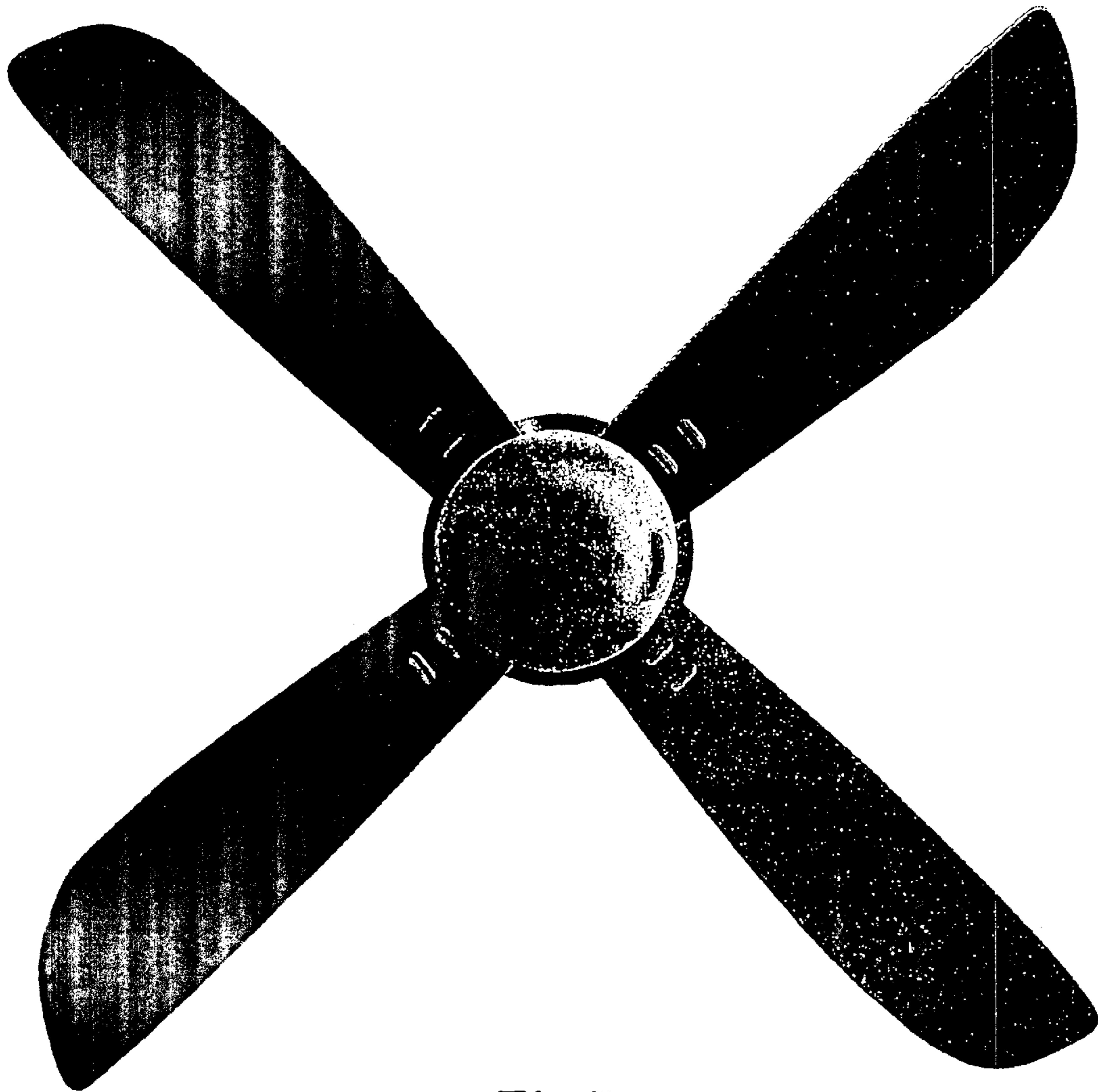


Fig.5

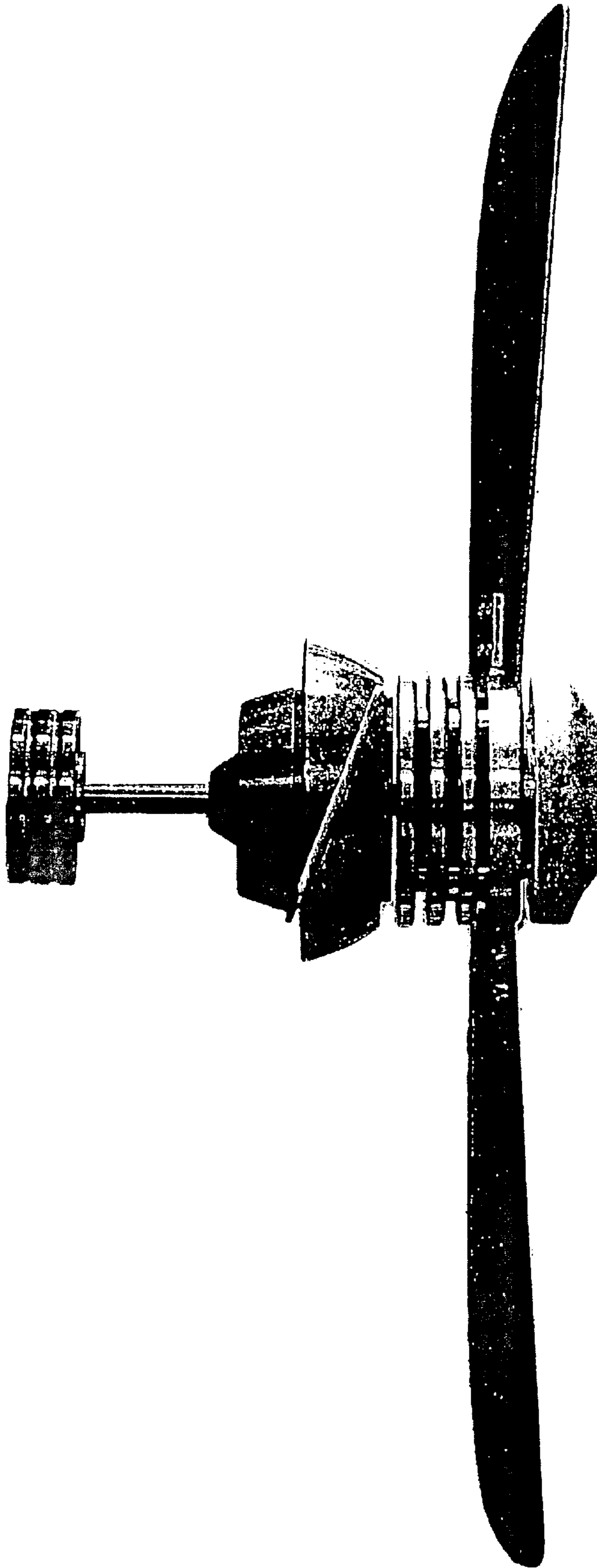


Fig.6

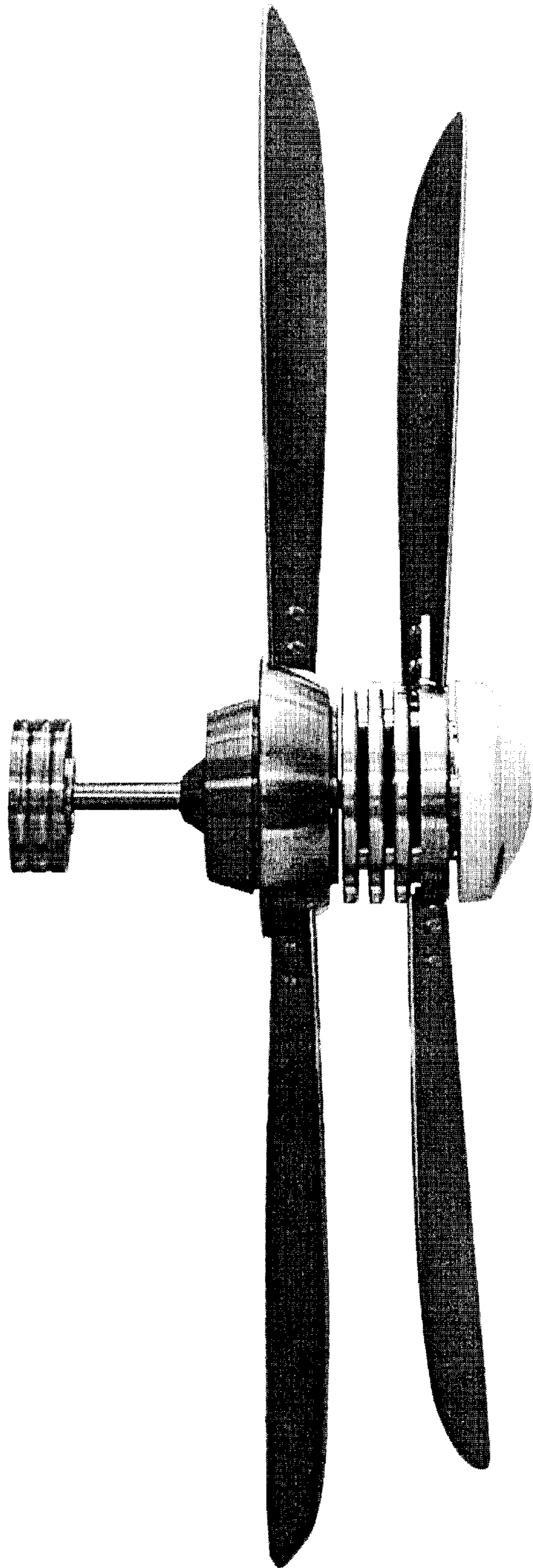


Fig. 7

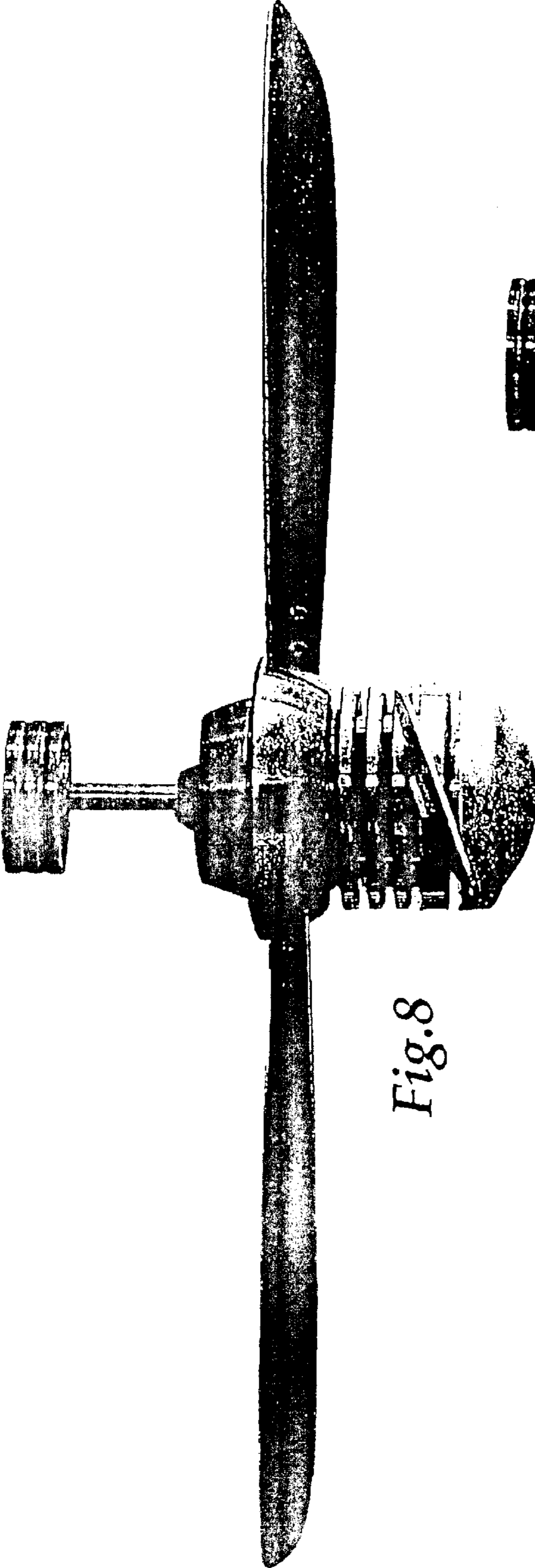


Fig. 8

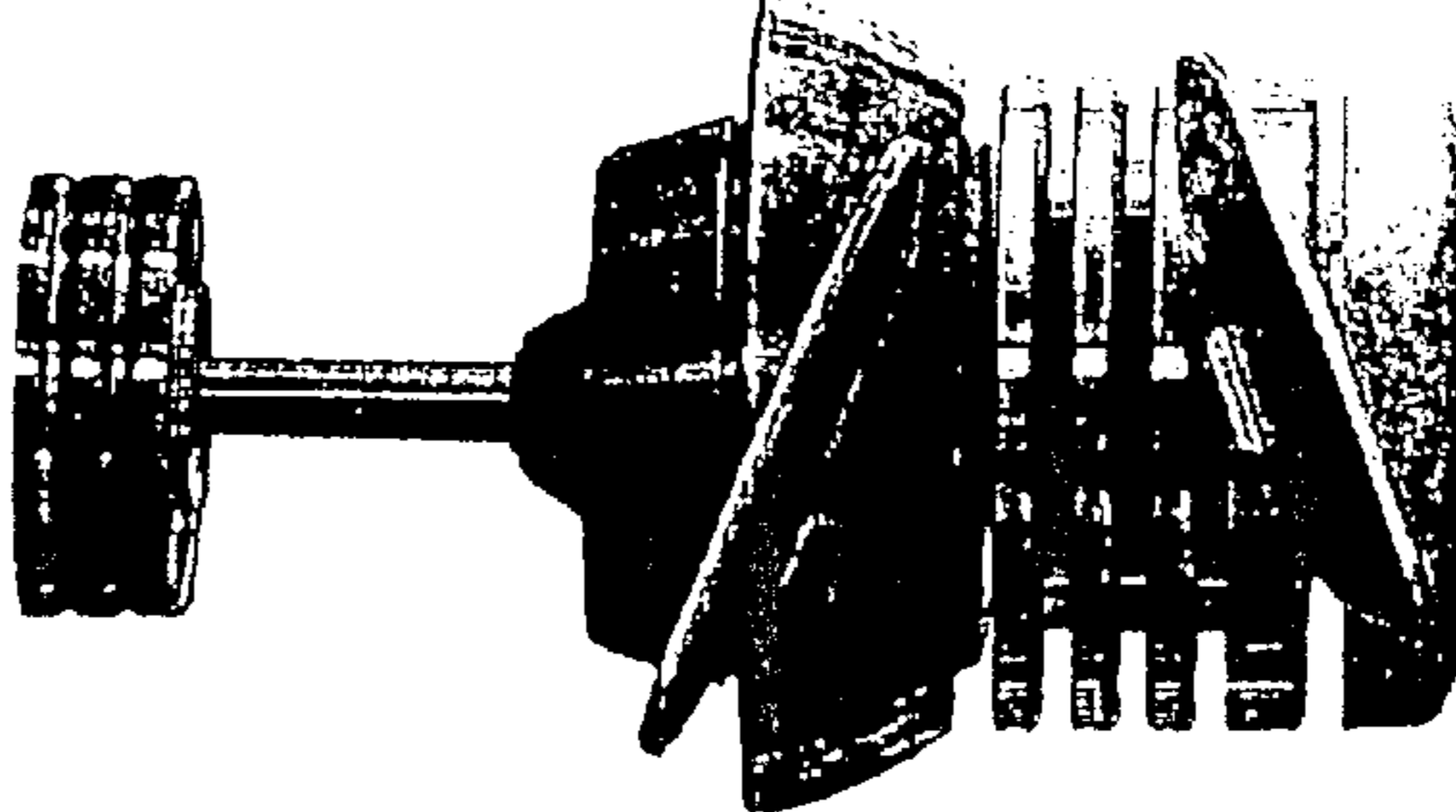


Fig. 9