



US00D515676S

(12) **United States Design Patent**  
**Batten et al.**

(10) **Patent No.:** **US D515,676 S**  
(45) **Date of Patent:** **\*\* Feb. 21, 2006**

(54) **SCULLERY SINK ATTACHMENT**  
(75) Inventors: **William C. Batten**, Asheboro, NC  
(US); **Bruce Kyles**, Asheboro, NC (US)  
(73) Assignee: **Thermaco, Inc.**, Asheboro, NC (US)  
(\*\*) Term: **14 Years**

233,674 A \* 10/1880 Hayes et al. .... 4/656  
1,641,061 A \* 8/1927 Young ..... 4/656  
1,897,713 A \* 2/1933 Roescher ..... 4/637  
2,090,665 A \* 8/1937 Carter ..... 4/656  
4,935,991 A \* 6/1990 Tourney ..... 4/629  
6,427,259 B1 \* 8/2002 Cawthon ..... 4/656

\* cited by examiner

*Primary Examiner*—Robert A. Delehanty  
(74) *Attorney, Agent, or Firm*—MacCord Mason PLLC

(21) Appl. No.: **29/210,554**  
(22) Filed: **Aug. 3, 2004**

(57) **CLAIM**

(51) **LOC (8) Cl.** ..... **23-02**  
(52) **U.S. Cl.** ..... **D23/293.1**  
(58) **Field of Classification Search** ..... D23/270–273,  
D23/284–287, 289–292, 293.1, 303, 308;  
4/662–666, 619, 661, 630–631, 637–643,  
4/515, 629, 656–657

The ornamental design for a scullery sink attachment, as shown and described.

**DESCRIPTION**

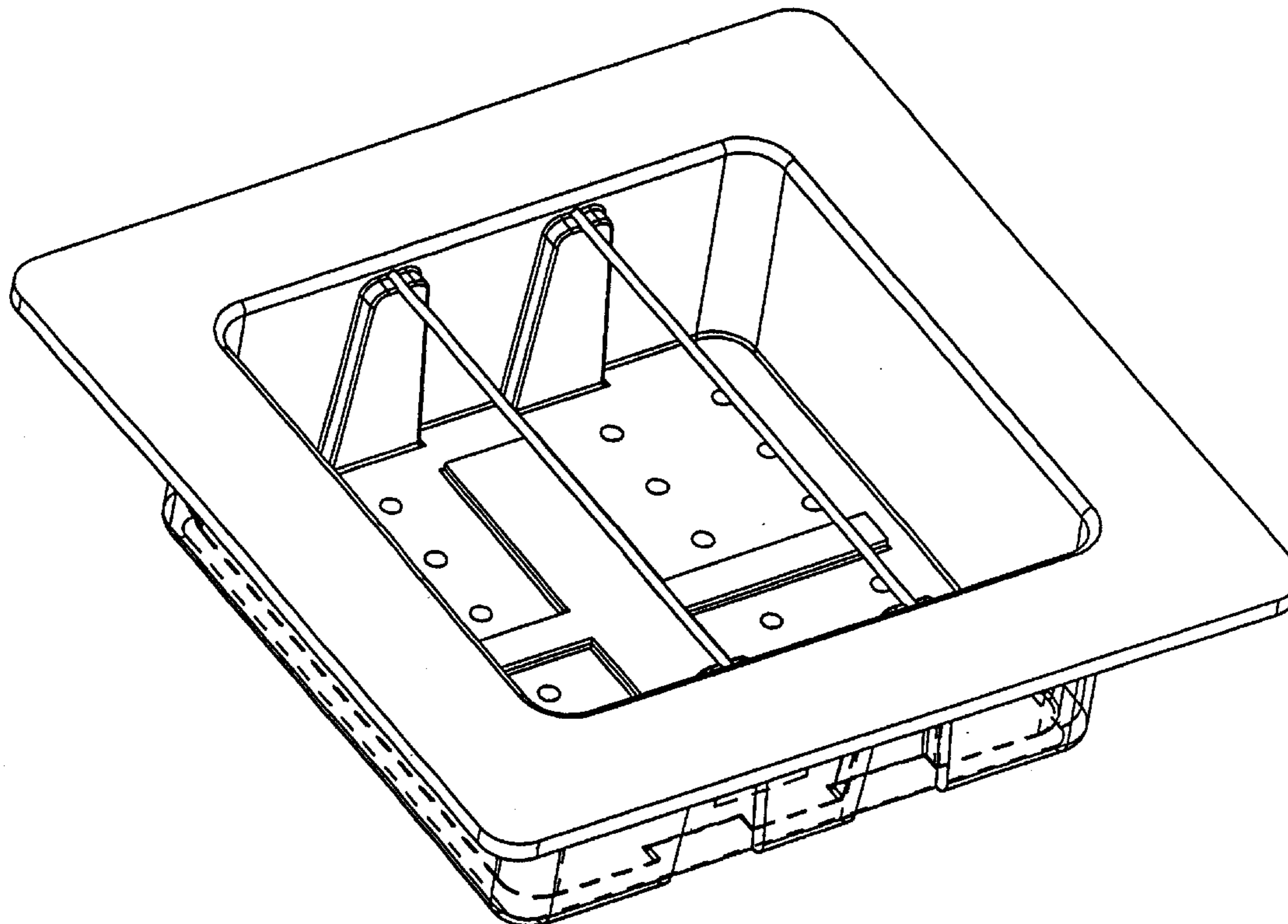
See application file for complete search history.

FIG. 1 is a top perspective view of a scullery sink attachment showing my new design;  
FIG. 2 is a top plan view thereof;  
FIG. 3 is a bottom view thereof; and,  
FIG. 4 is a side elevational view, the opposite side being a mirror image thereof thereof.

(56) **References Cited**  
U.S. PATENT DOCUMENTS

57,284 A \* 8/1866 Bryant ..... 4/656

**1 Claim, 4 Drawing Sheets**



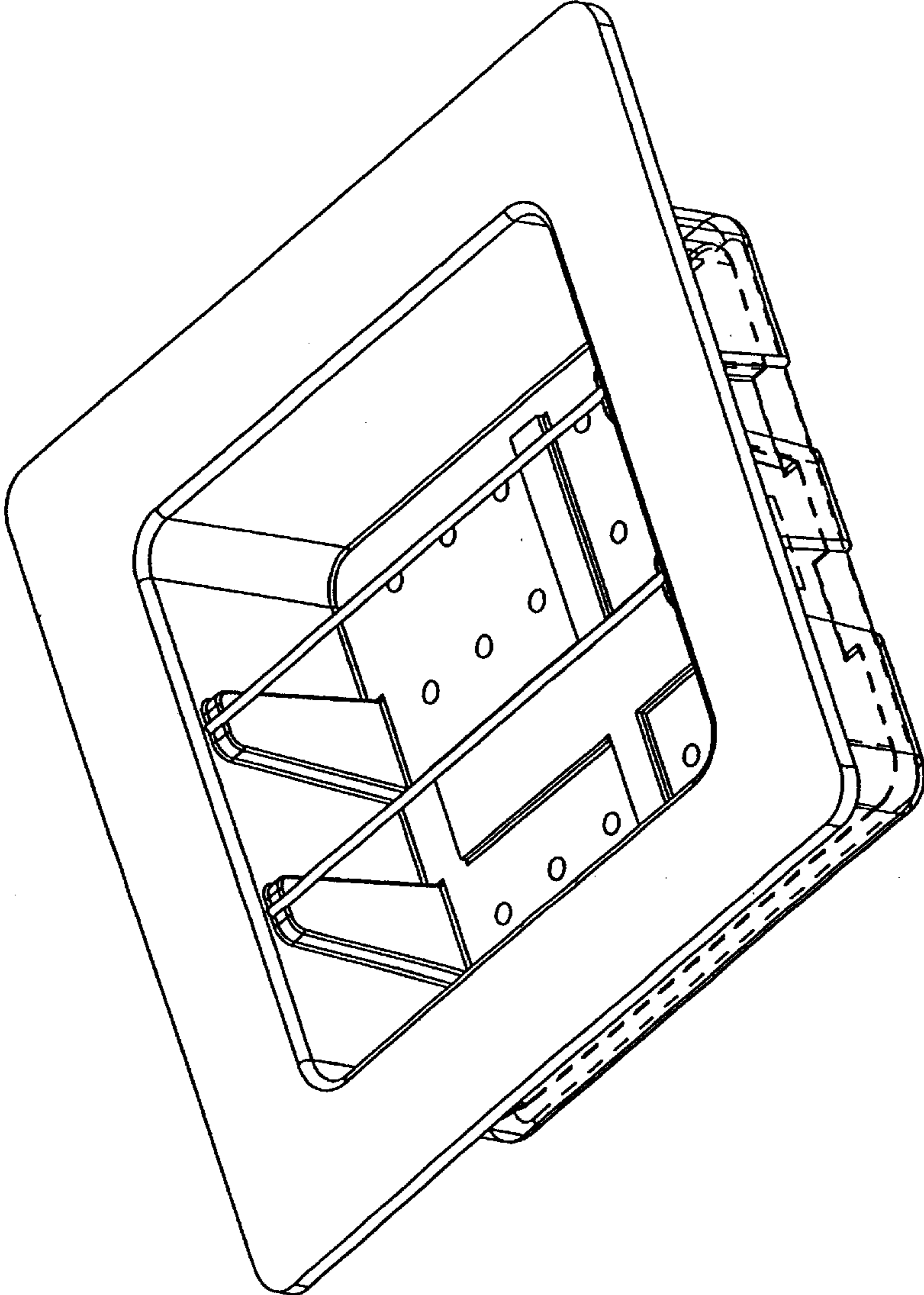


Fig. 1

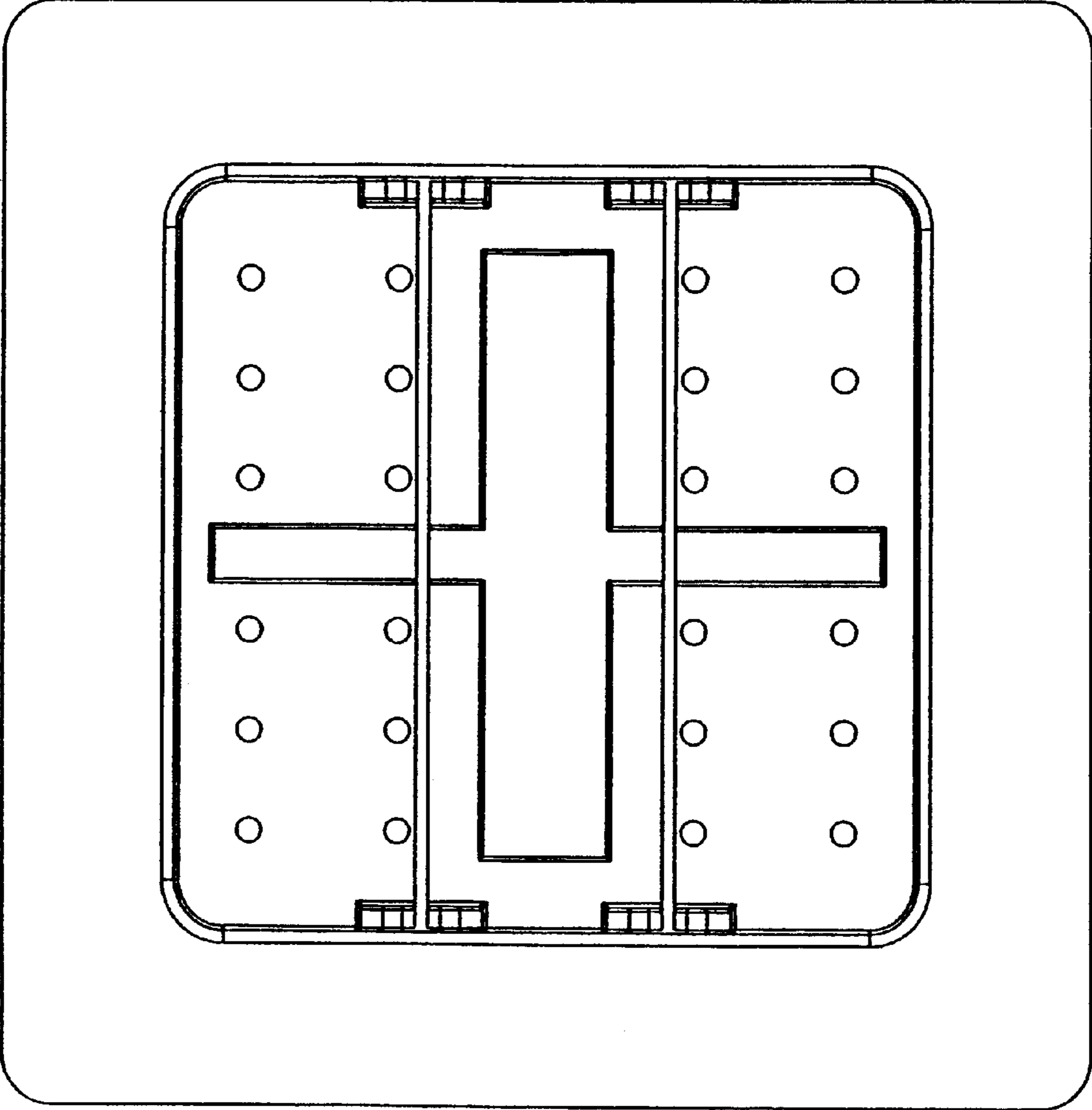


Fig. 2

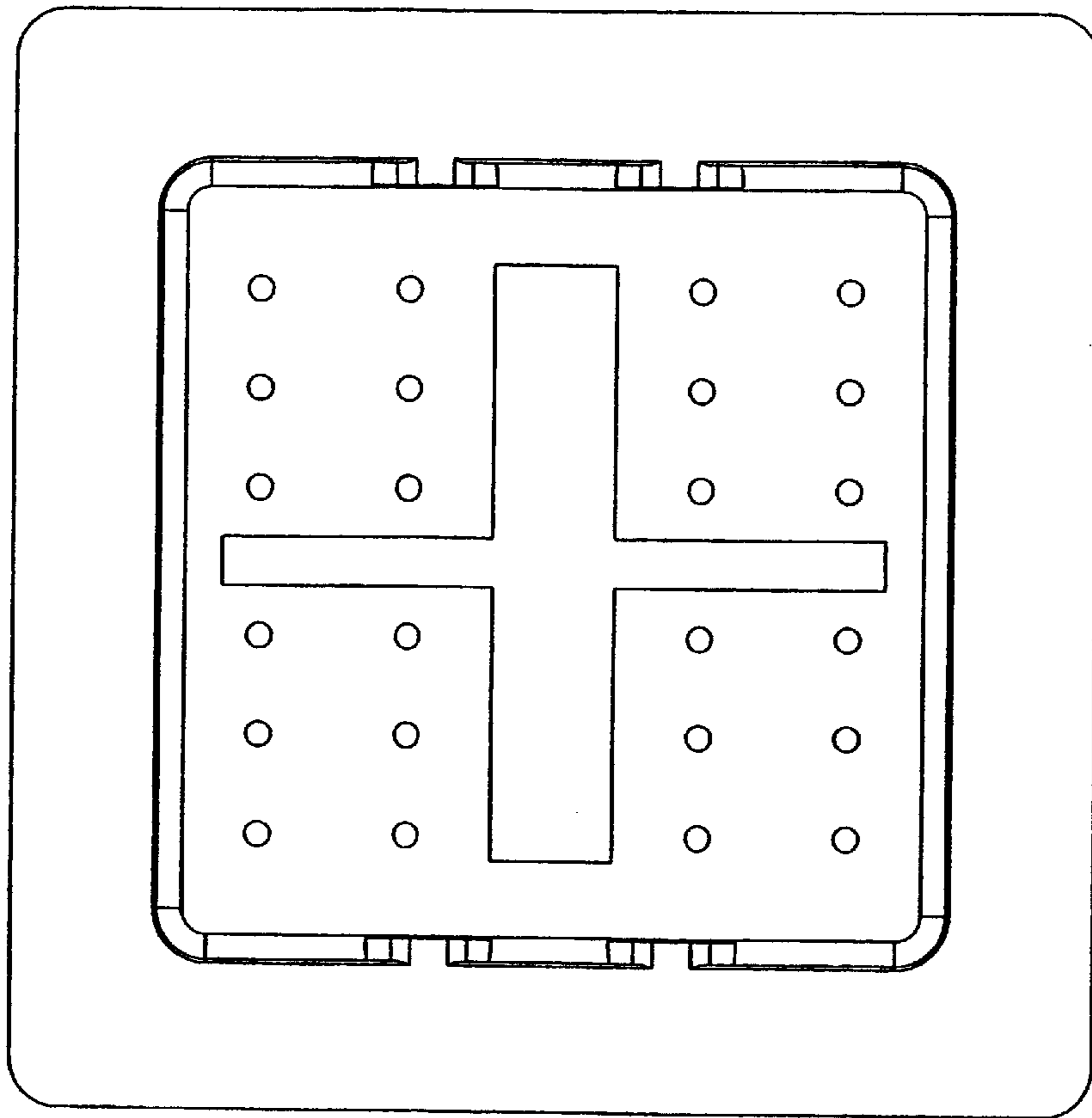


Fig. 3

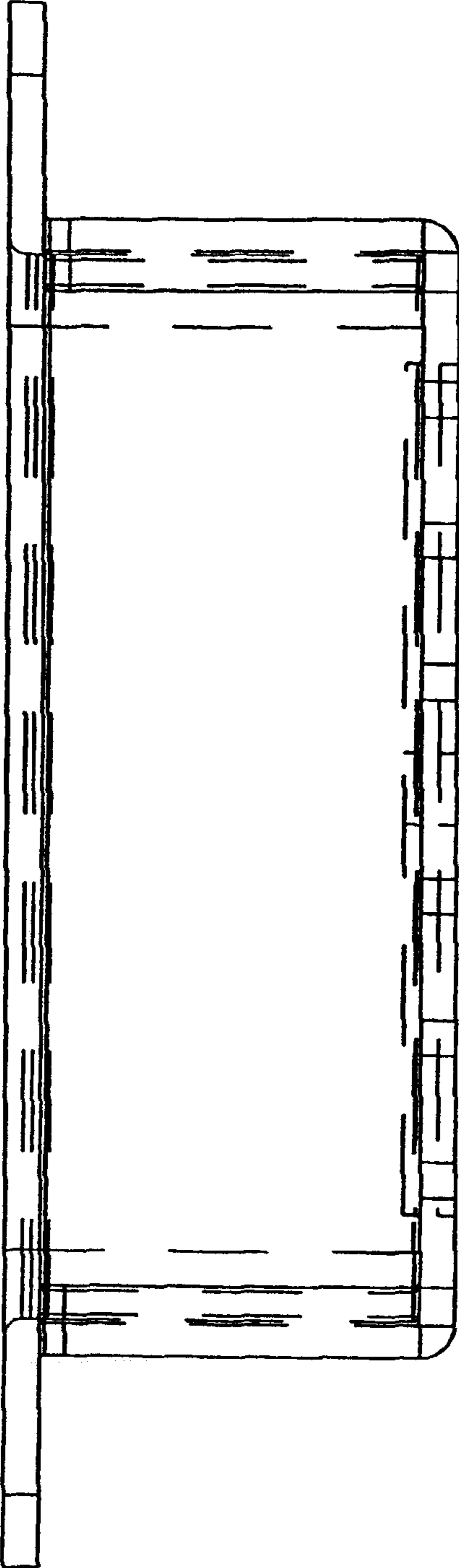


Fig. 4