



US00D515671S

(12) **United States Design Patent**
Toyohara

(10) **Patent No.:** **US D515,671 S**

(45) **Date of Patent:** **** Feb. 21, 2006**

(54) **FAUCET AND HANDLE SET**

(75) **Inventor:** **Atsushi Toyohara, Kitakyushu (JP)**

(73) **Assignee:** **Toto Ltd., Kitakyushu (JP)**

(**) **Term:** **14 Years**

(21) **Appl. No.:** **29/214,118**

(22) **Filed:** **Sep. 29, 2004**

(51) **LOC (8) Cl.** **23-01**

(52) **U.S. Cl.** **D23/241; D23/242**

(58) **Field of Classification Search** **D23/238-257;**
4/675-678; 137/801

See application file for complete search history.

(56) **References Cited**

U.S. PATENT DOCUMENTS

D301,275 S	*	5/1989	Paul	D23/242
D303,565 S	*	9/1989	Paul	D23/242
D342,777 S	*	12/1993	Paul	D23/257
D417,262 S	*	11/1999	Caplow	D23/255

* cited by examiner

Primary Examiner—Louis S. Zarfes
Assistant Examiner—Gregory Andoll

(74) *Attorney, Agent, or Firm*—Birch, Stewart, Kolasch & Birch, LLP

(57) **CLAIM**

The ornamental design for a faucet and handle set, as shown and described.

DESCRIPTION

FIG. 1 is a perspective view of the top, front and right side of a faucet and handle set showing my new design;
FIG. 2 is a front view thereof;
FIG. 3 is a rear view thereof;
FIG. 4 is a right side view thereof;
FIG. 5 is a left side view thereof;
FIG. 6 is a top plan view thereof, and,
FIG. 7 is a bottom view thereof.

1 Claim, 7 Drawing Sheets

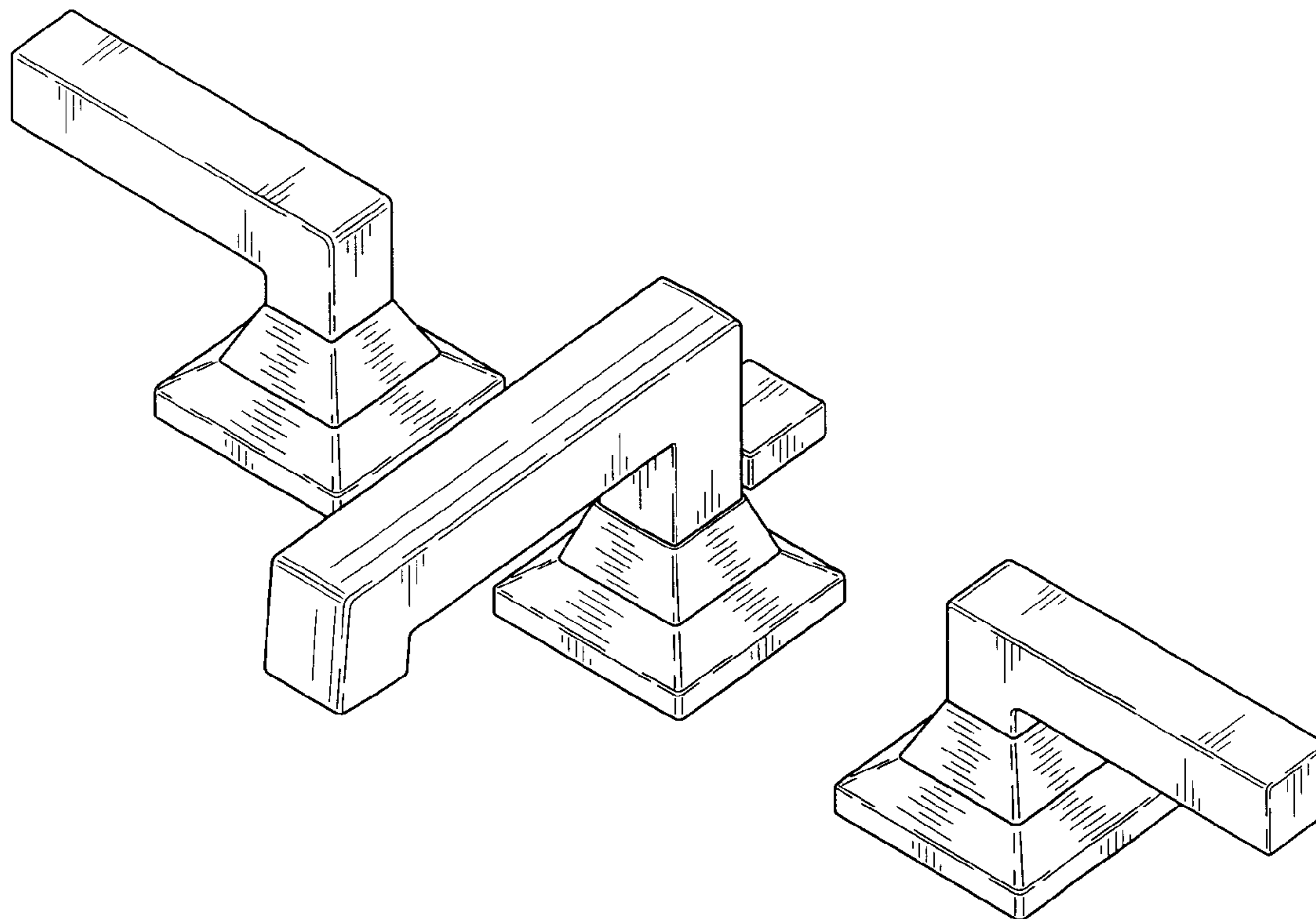


FIG. 1

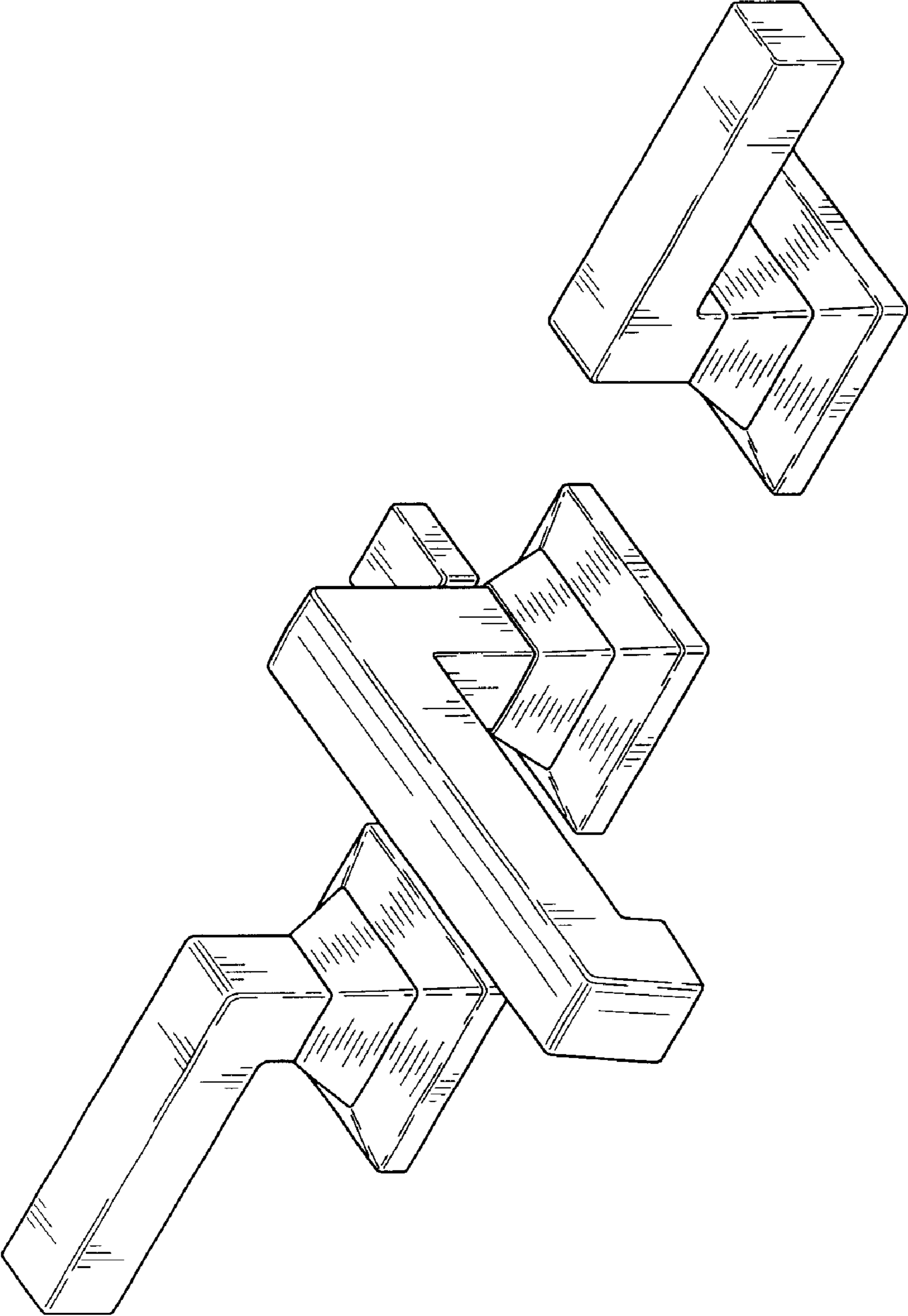


FIG. 2

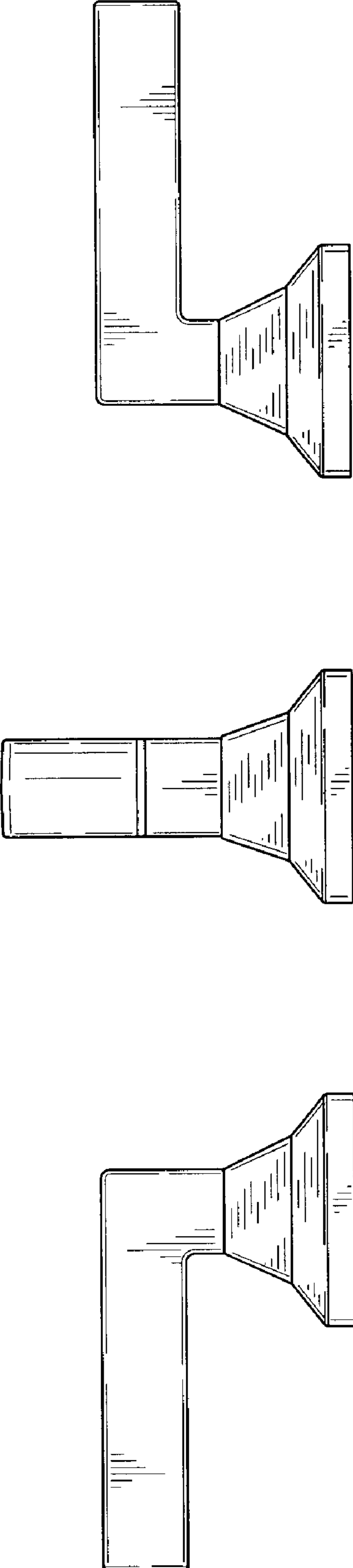


FIG. 3

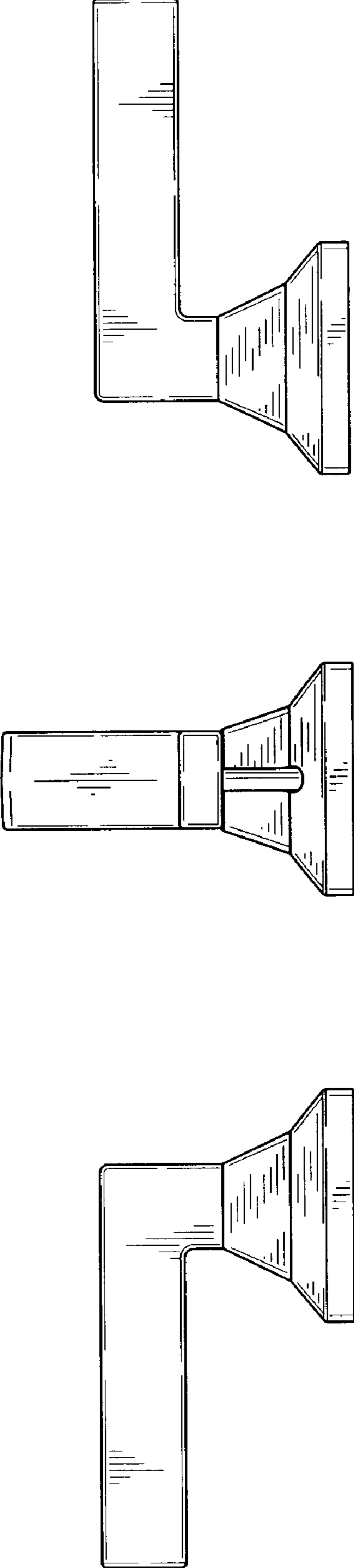


FIG. 4

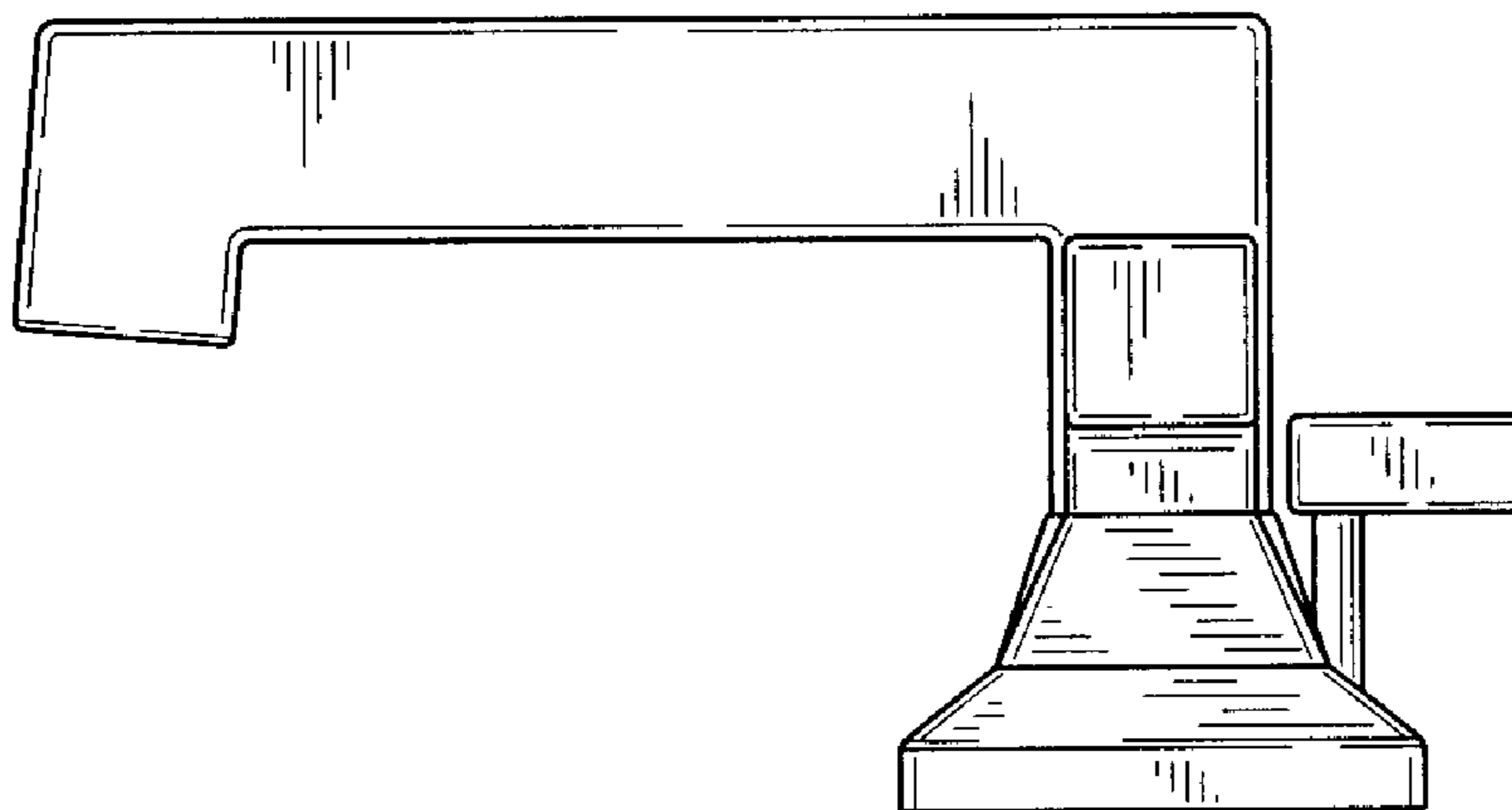
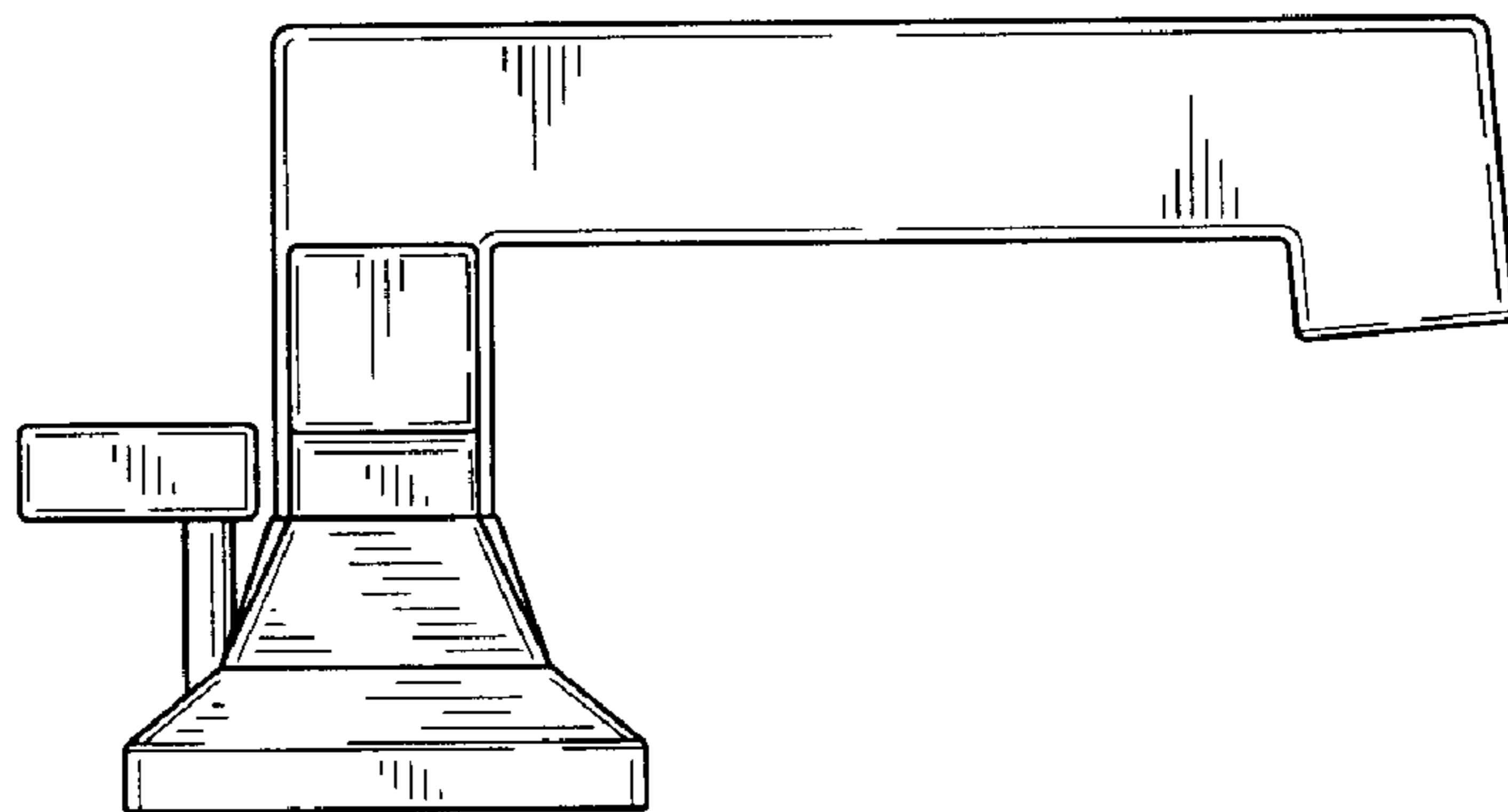


FIG. 5



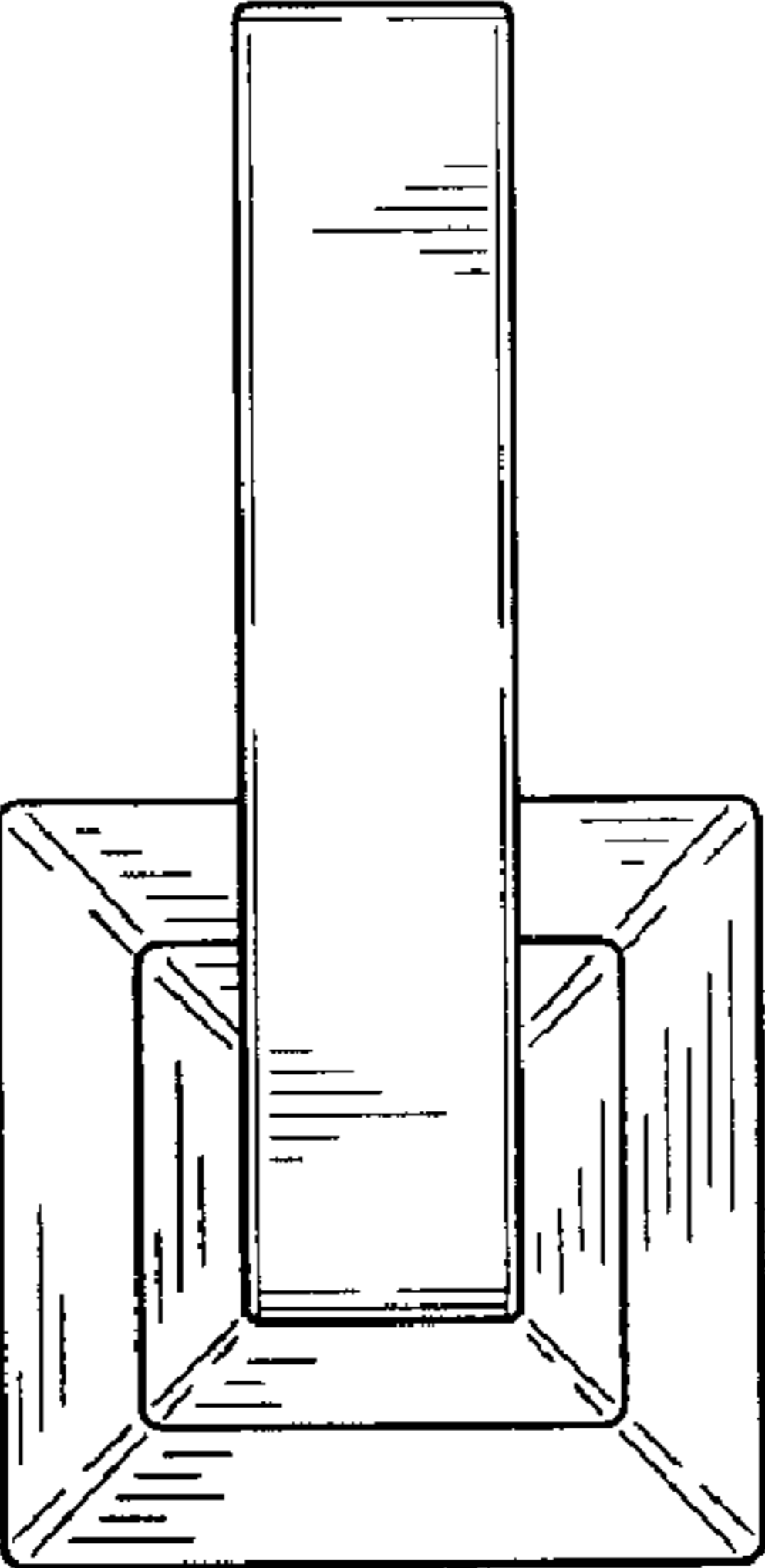


FIG. 6

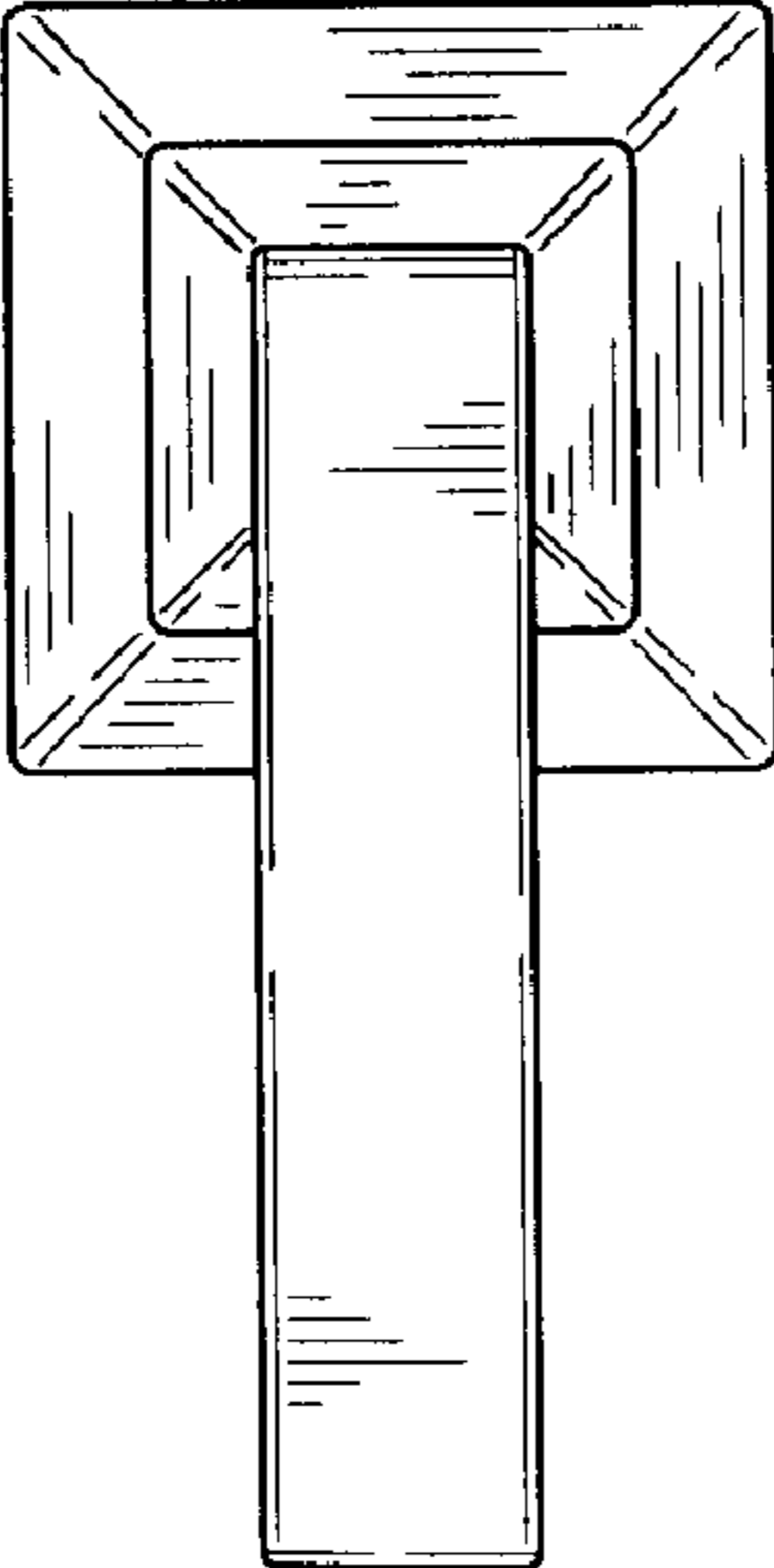
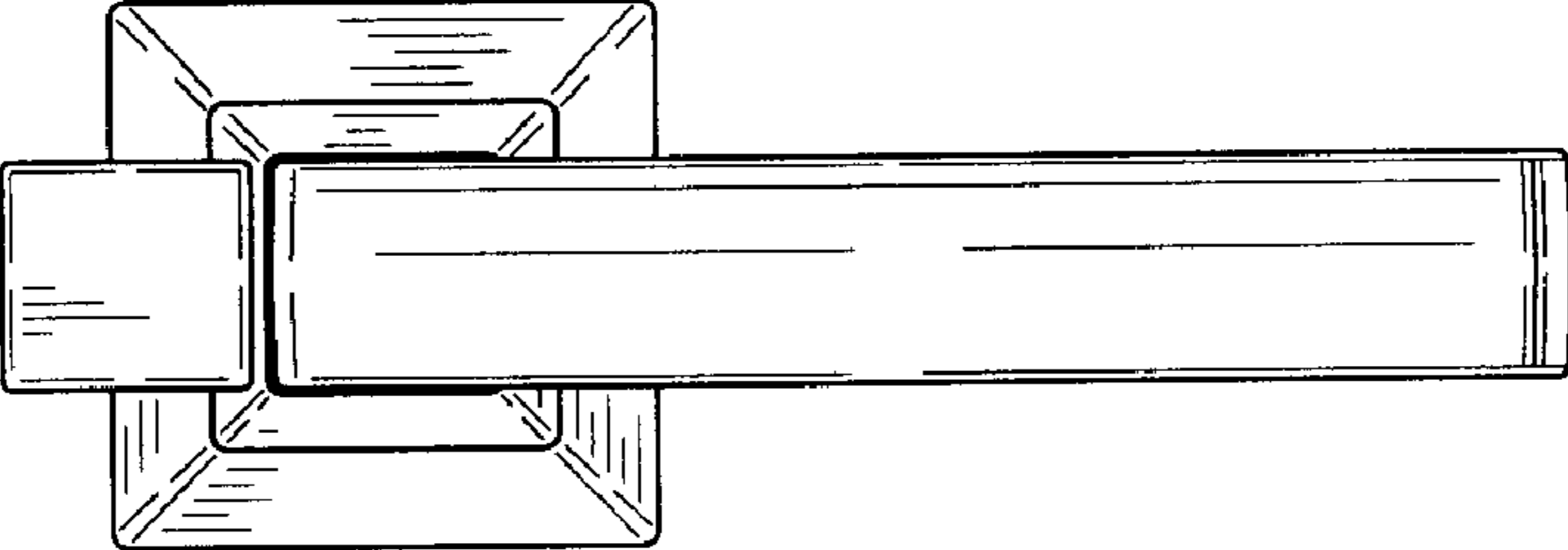


FIG. 7

