



US00D515669S

(12) **United States Design Patent**
Ying-Hui et al.

(10) **Patent No.:** **US D515,669 S**

(45) **Date of Patent:** **** Feb. 21, 2006**

(54) **FAUCET**

(75) **Inventors:** **Deng Ying-Hui**, Taichung (TW); **Tan Wan-Hong**, Taichung (TW)

(73) **Assignee:** **Globe Union Industrial Corp.**, Taichung (TW)

(**) **Term:** **14 Years**

(21) **Appl. No.:** **29/204,500**

(22) **Filed:** **Apr. 30, 2004**

(51) **LOC (8) Cl.** **23-01**

(52) **U.S. Cl.** **D23/241; D23/242; D23/257**

(58) **Field of Classification Search** **D23/238-257; 4/675-678; 137/801**

See application file for complete search history.

(56) **References Cited**

U.S. PATENT DOCUMENTS

D404,467 S * 1/1999 Doughty et al. D23/242

D472,610 S * 4/2003 Marshall D23/242
D477,053 S * 7/2003 Schonherr et al. D23/242
D479,871 S * 9/2003 Warshawsky D23/242

* cited by examiner

Primary Examiner—Louis S. Zarfes

Assistant Examiner—Gregory Andoll

(74) *Attorney, Agent, or Firm*—Troxell Law Office, PLLC

(57) **CLAIM**

The ornamental design for faucet, as show and described.

DESCRIPTION

FIG. 1 is a top, left, front, perspective view of faucet showing my new design;

FIG. 2 is a front elevational view thereof;

FIG. 3 is a rear elevational view thereof;

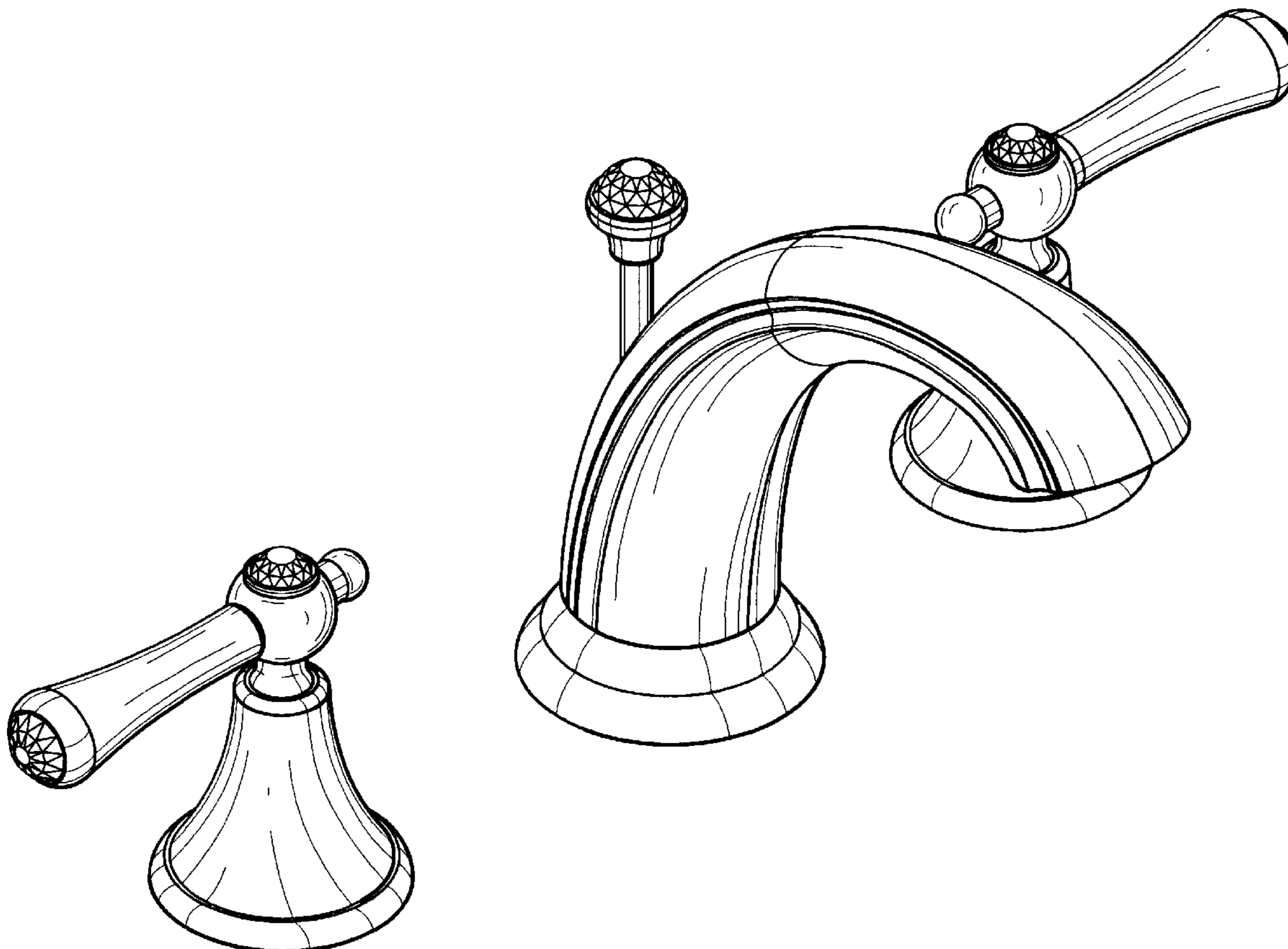
FIG. 4 is a left elevational view thereof;

FIG. 5 is a right elevational view thereof;

FIG. 6 is a top plan view thereof; and,

FIG. 7 is a bottom plan view thereof.

1 Claim, 4 Drawing Sheets



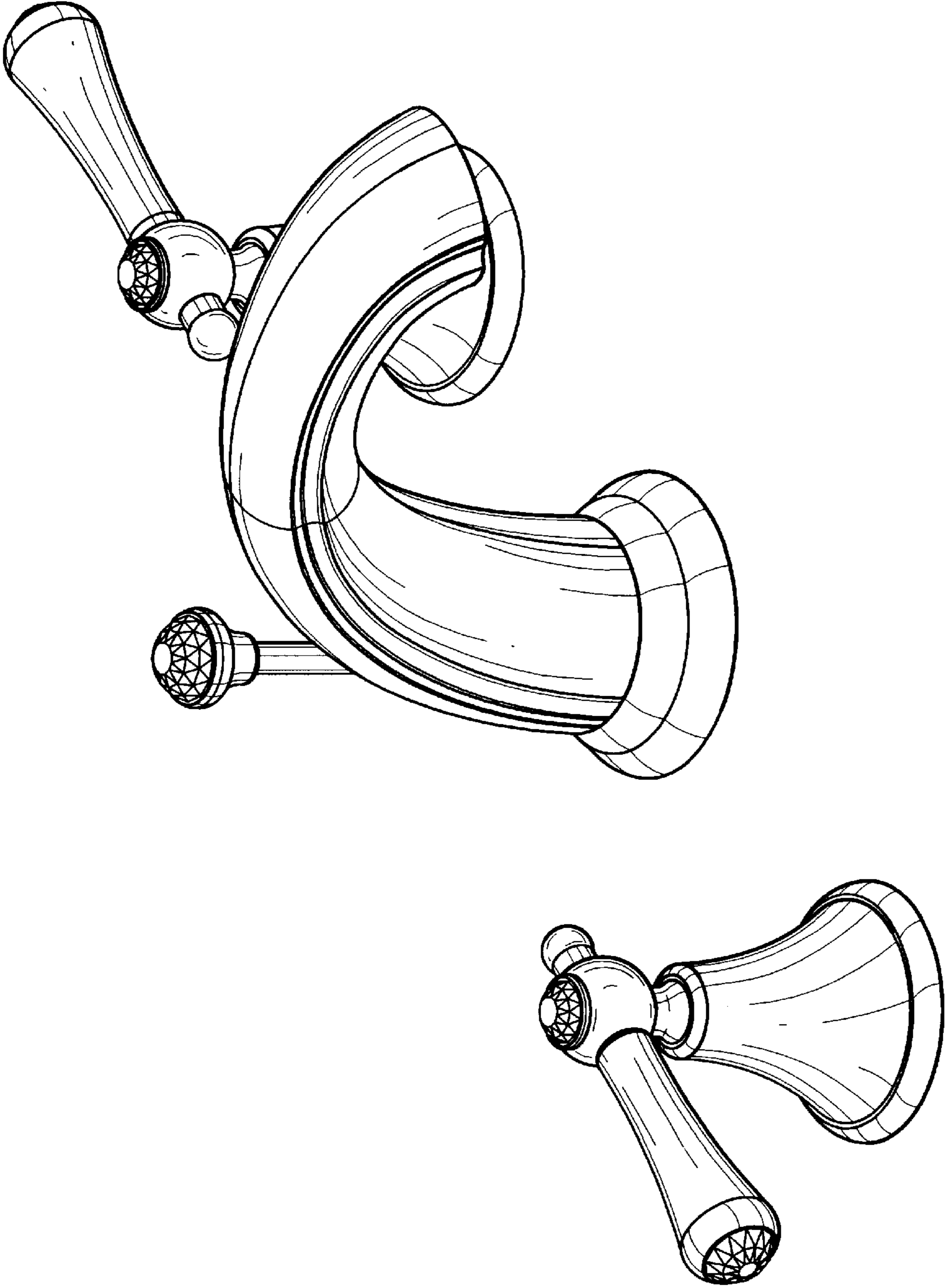


FIG. 1

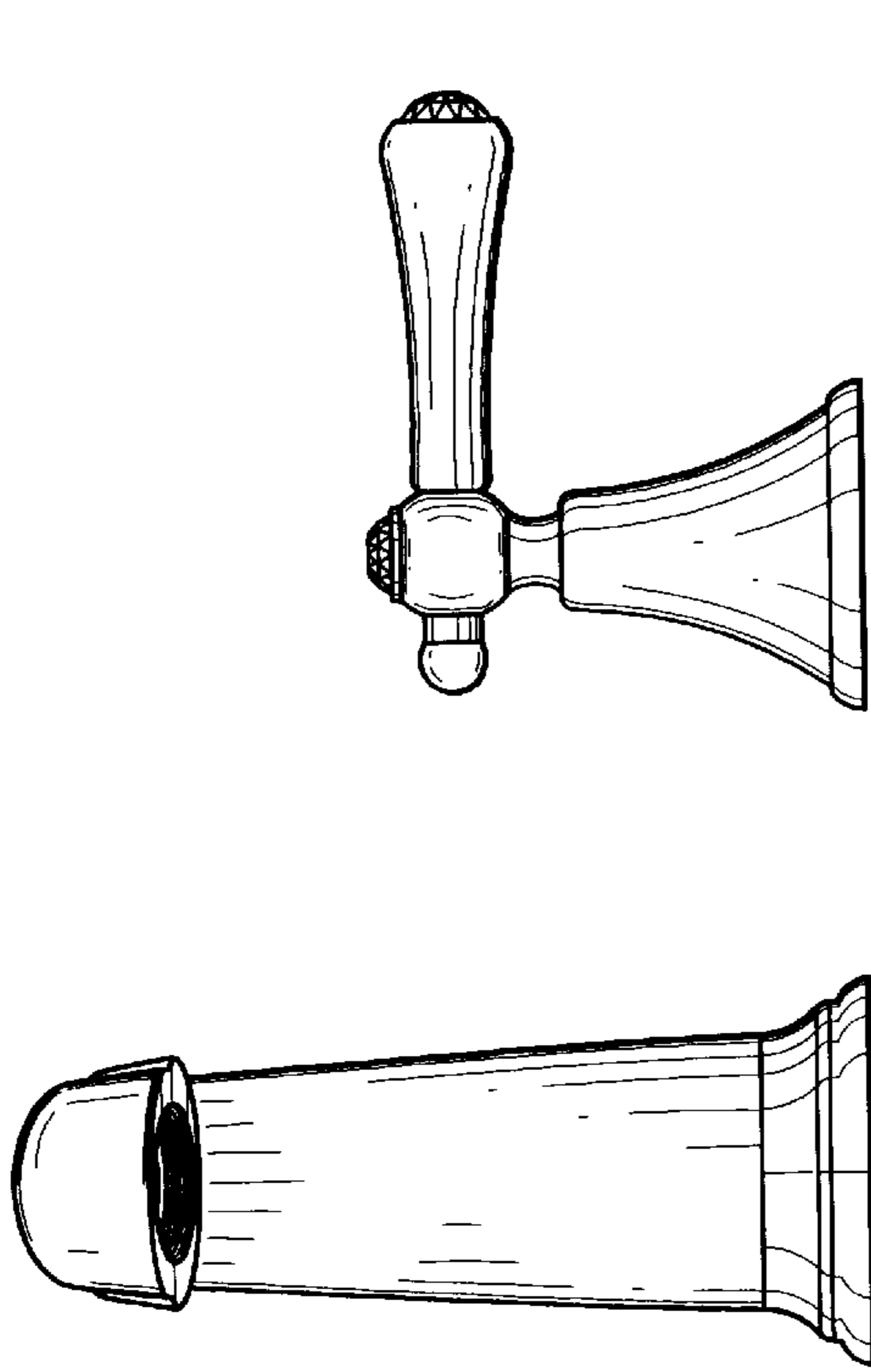


FIG. 2

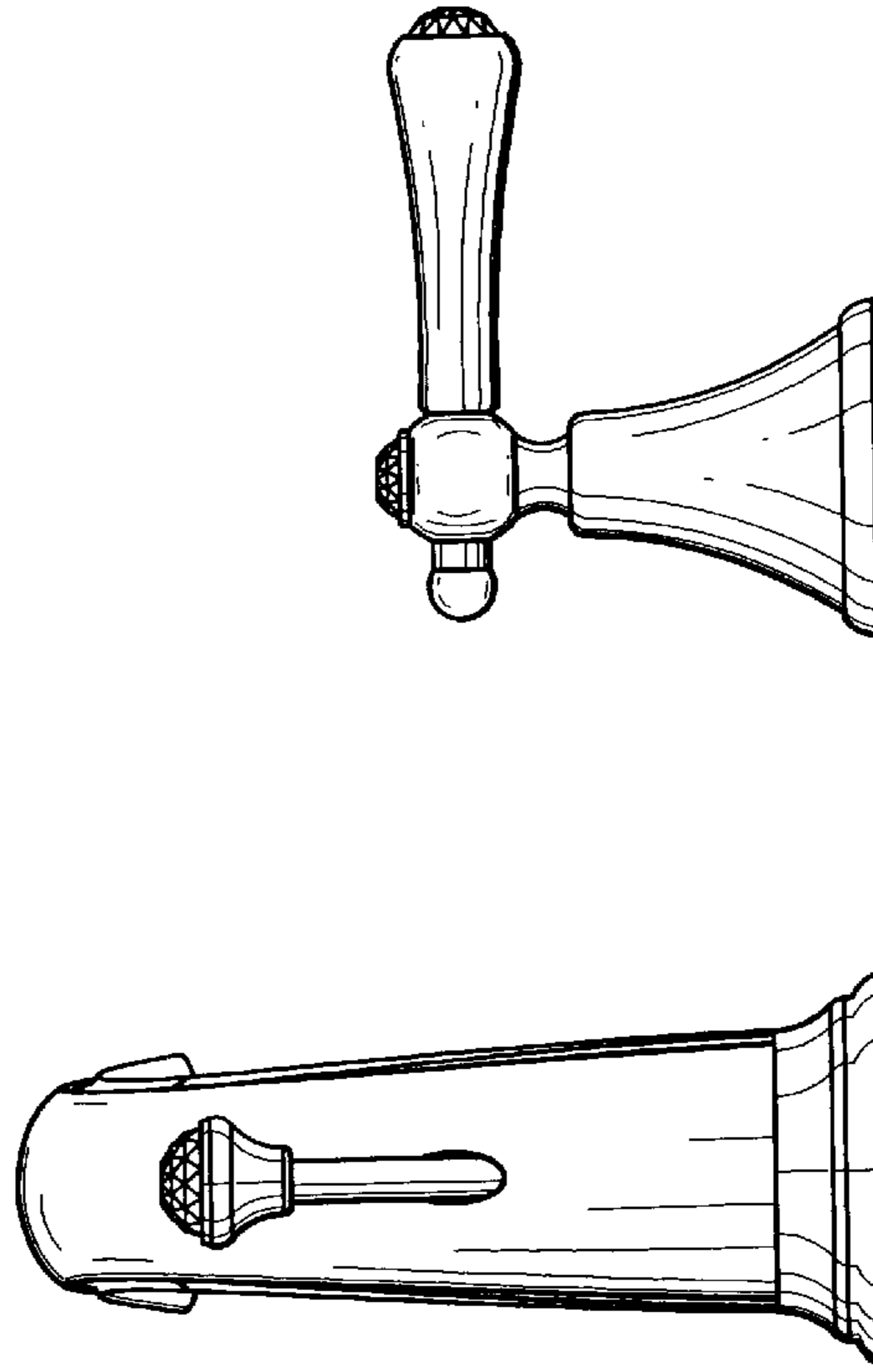
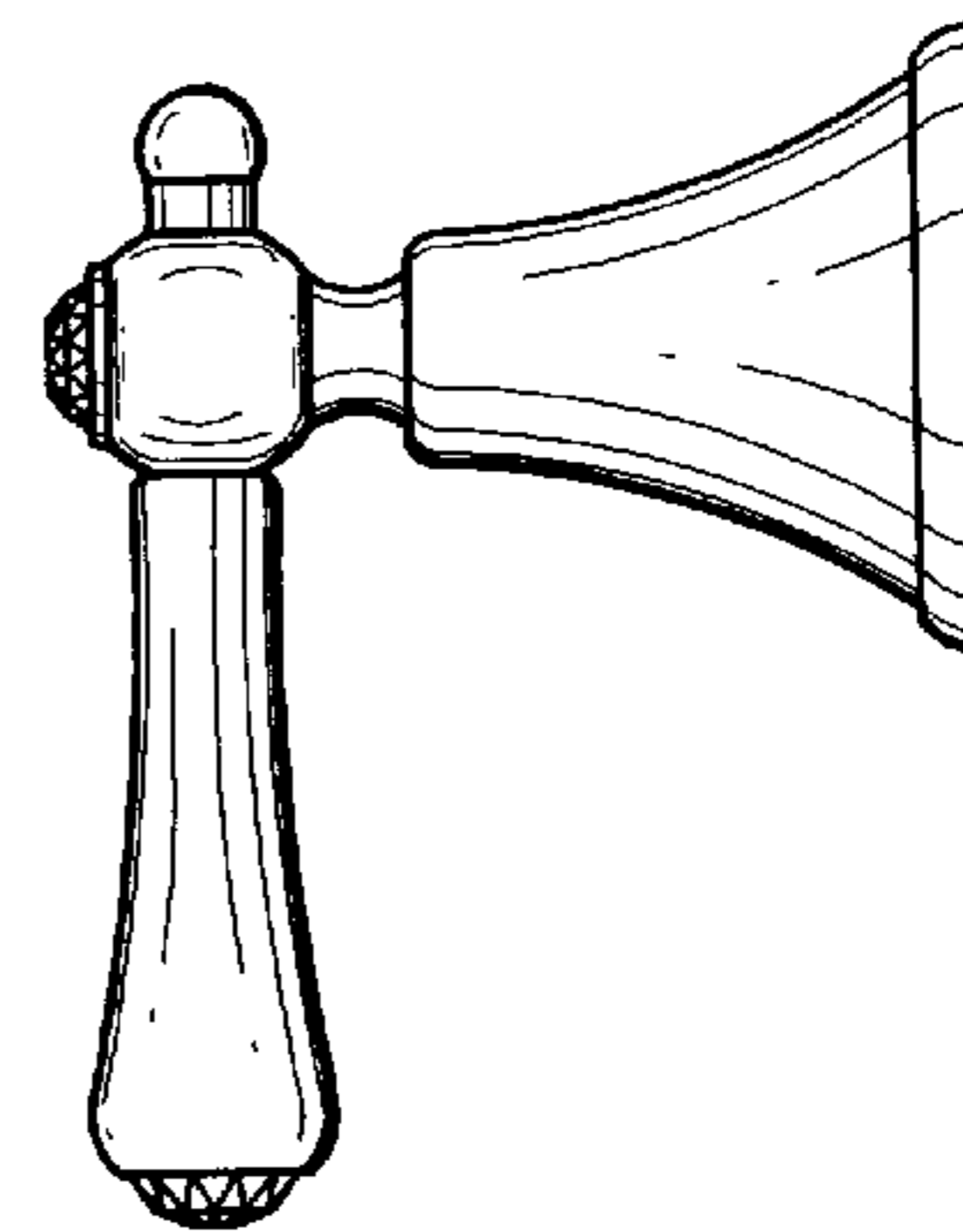
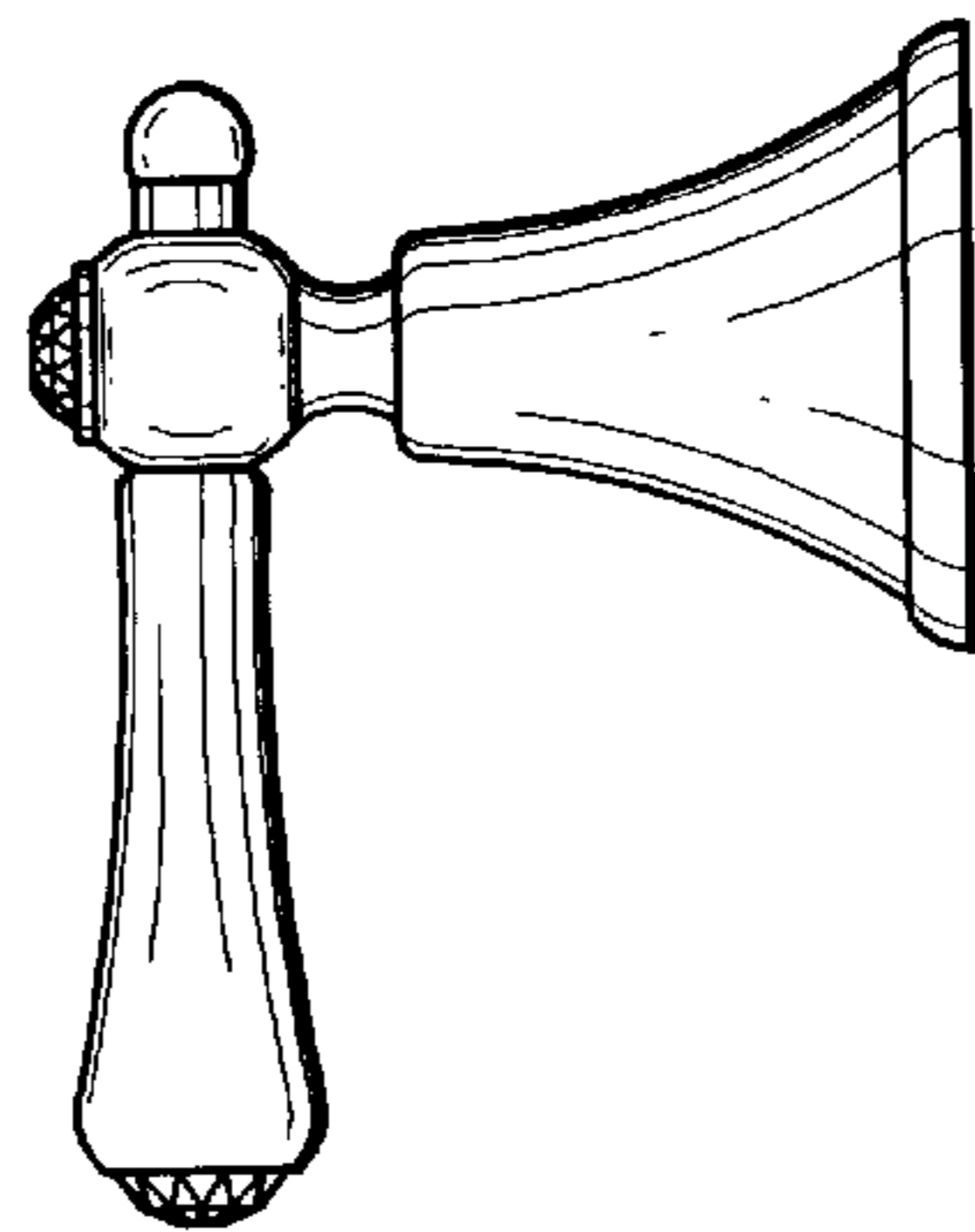


FIG. 3



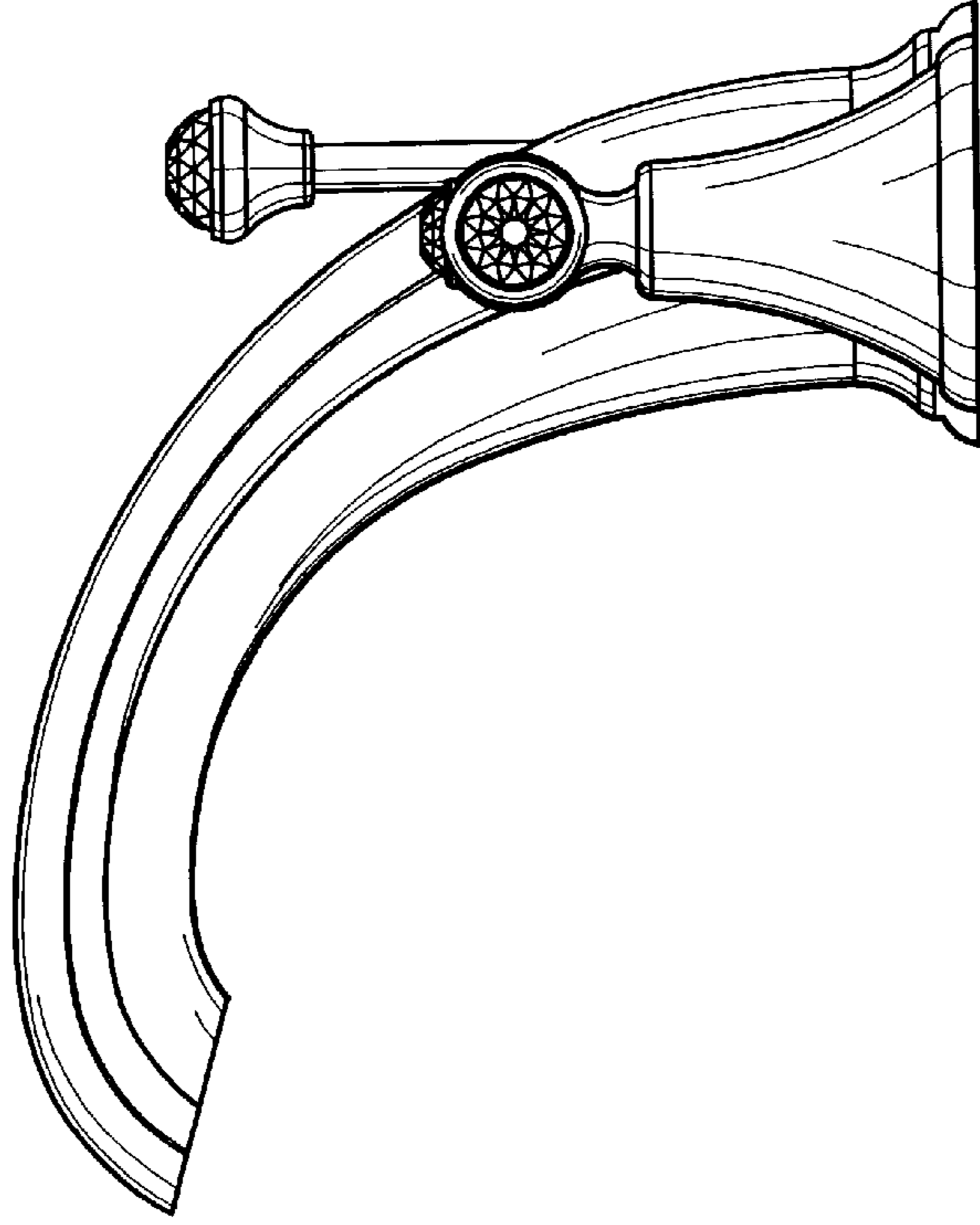


FIG. 5

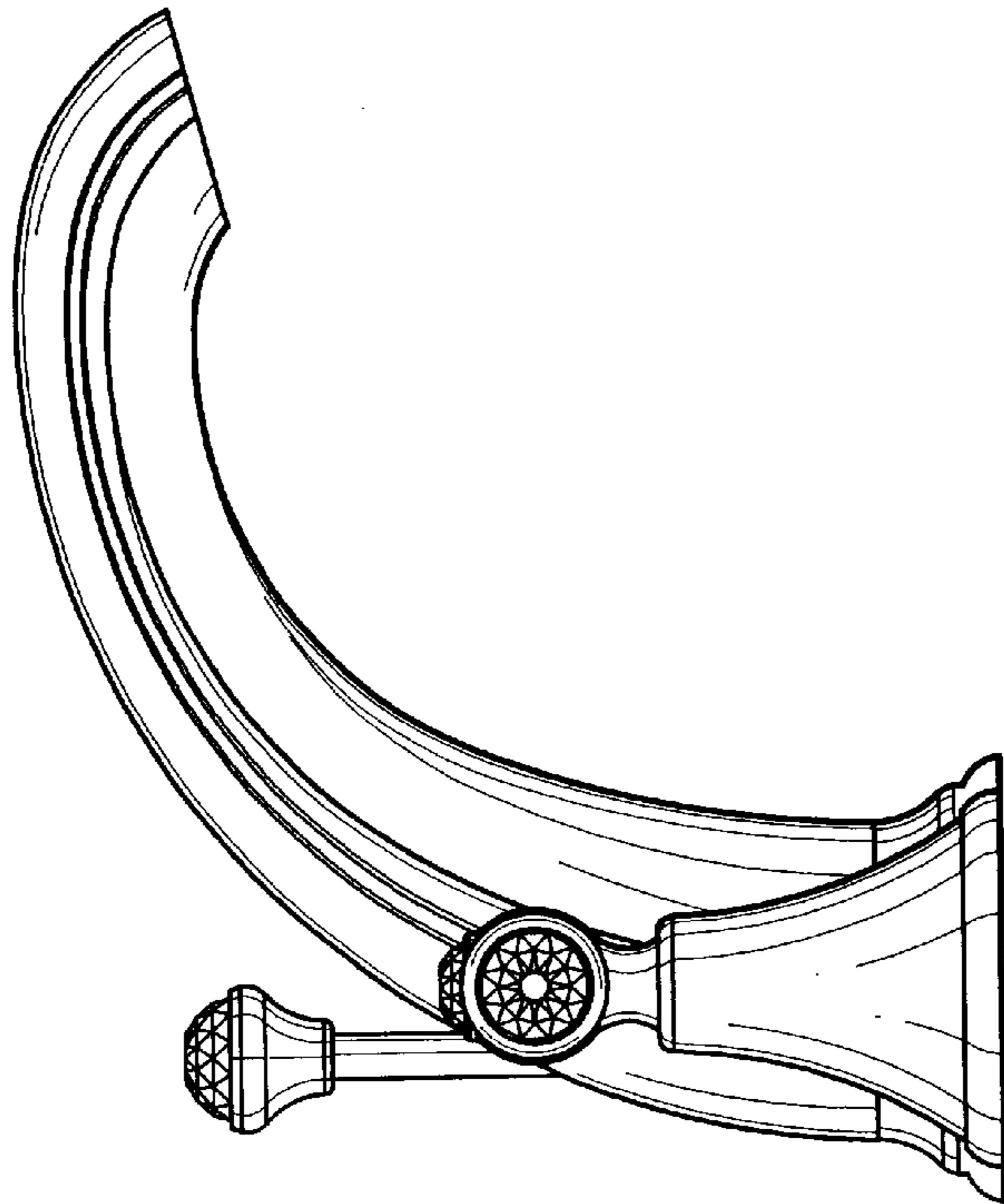


FIG. 4

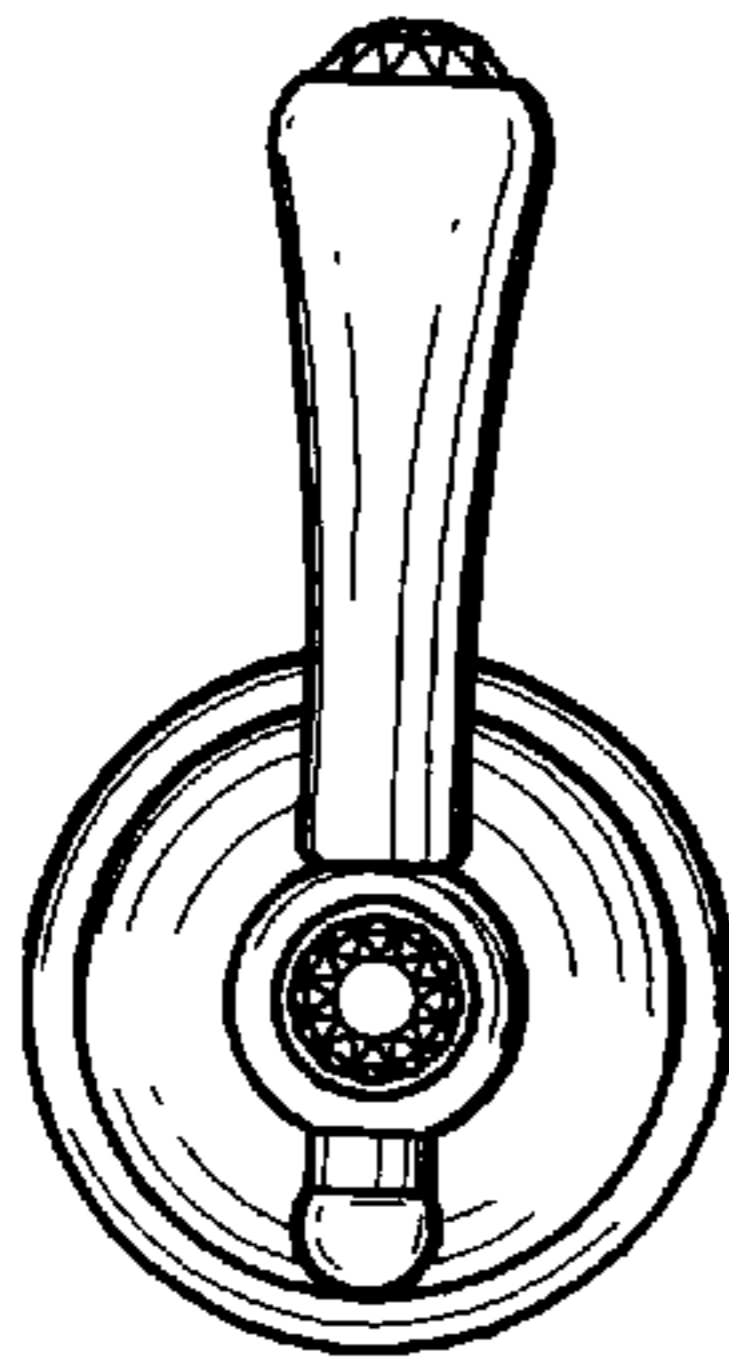
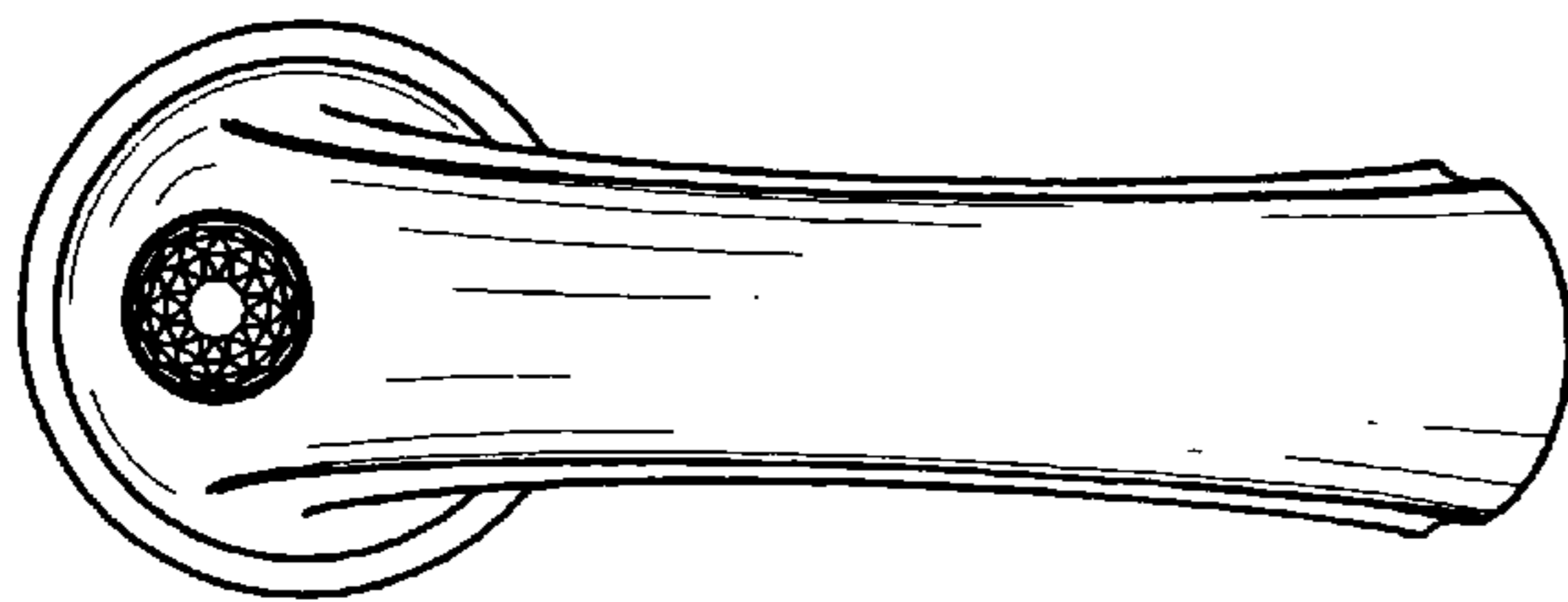
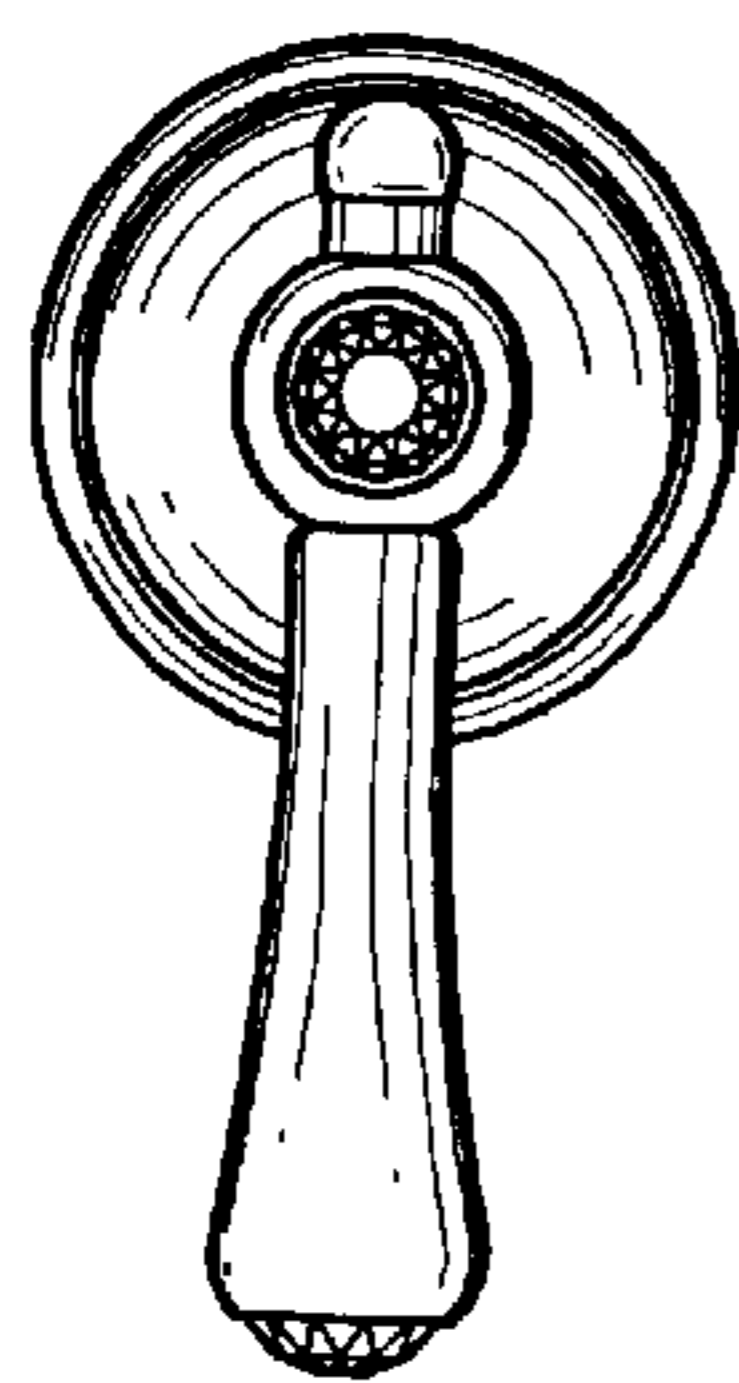


FIG. 6

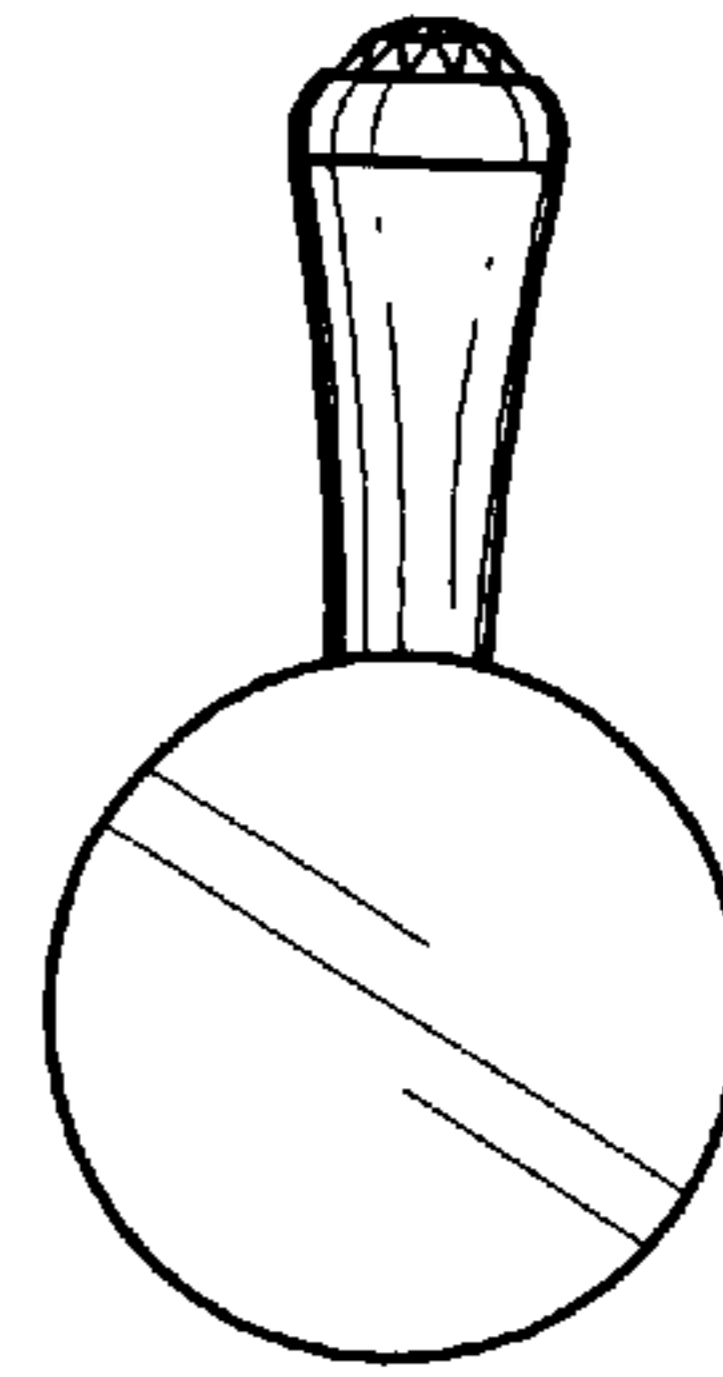
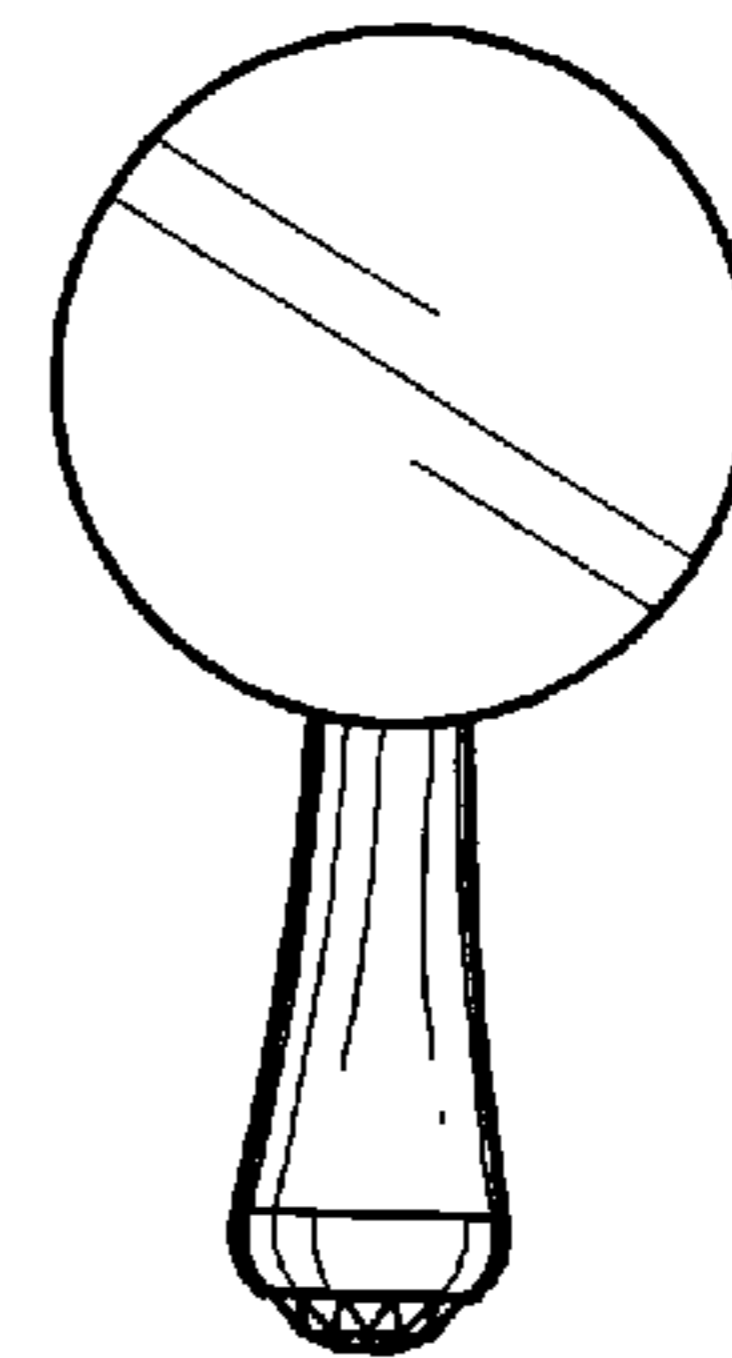
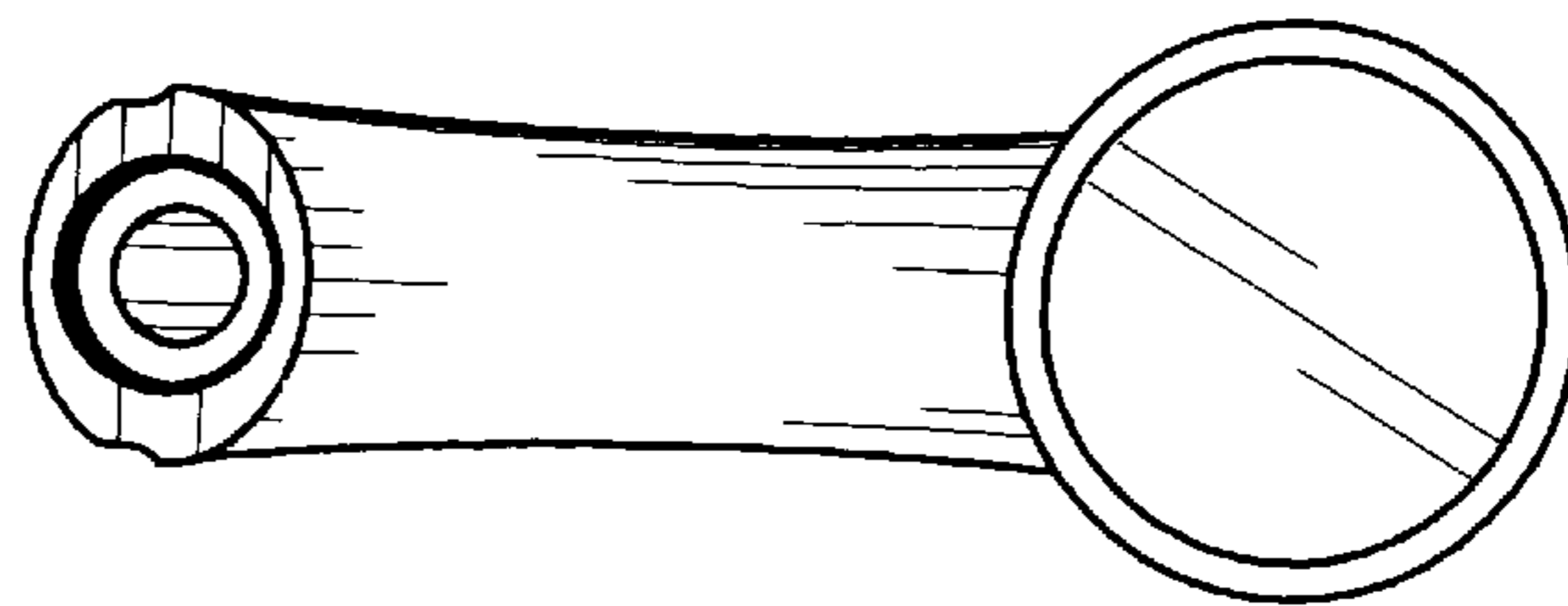


FIG. 7