



US00D515662S

(12) **United States Design Patent**
Chen

(10) **Patent No.:** **US D515,662 S**

(45) **Date of Patent:** **** Feb. 21, 2006**

(54) **WATER SPRAY GUN**

D496,430 S * 9/2004 Kuo D23/223

(75) **Inventor:** **Chin-Yuan Chen, Lu Kang Chen (TW)**

* cited by examiner

(73) **Assignee:** **Shin Tai Spurt Water of the Garden Tools Co., Ltd., Changhua Hsien (TW)**

Primary Examiner—Robin V. Webster

(74) *Attorney, Agent, or Firm*—Alan D. Kamrath; Nikolai & Mersereau, P.A.

(**) **Term:** **14 Years**

(57) **CLAIM**

(21) **Appl. No.:** **29/214,073**

The ornamental design for a water spray gun, as shown and described.

(22) **Filed:** **Sep. 27, 2004**

DESCRIPTION

(51) **LOC (8) Cl.** **23-01**

(52) **U.S. Cl.** **D23/223**

(58) **Field of Classification Search** D23/213,
D23/223, 226; 239/525, 526, 271

See application file for complete search history.

FIG. 1 is a perspective view of a water spray gun showing my design;

FIG. 2 is a front elevational view thereof;

FIG. 3 is a rear elevational view thereof;

FIG. 4 is a right side elevational view thereof;

FIG. 5 is a left side elevational view thereof;

FIG. 6 is a top plan view thereof; and,

FIG. 7 is a bottom plan view thereof.

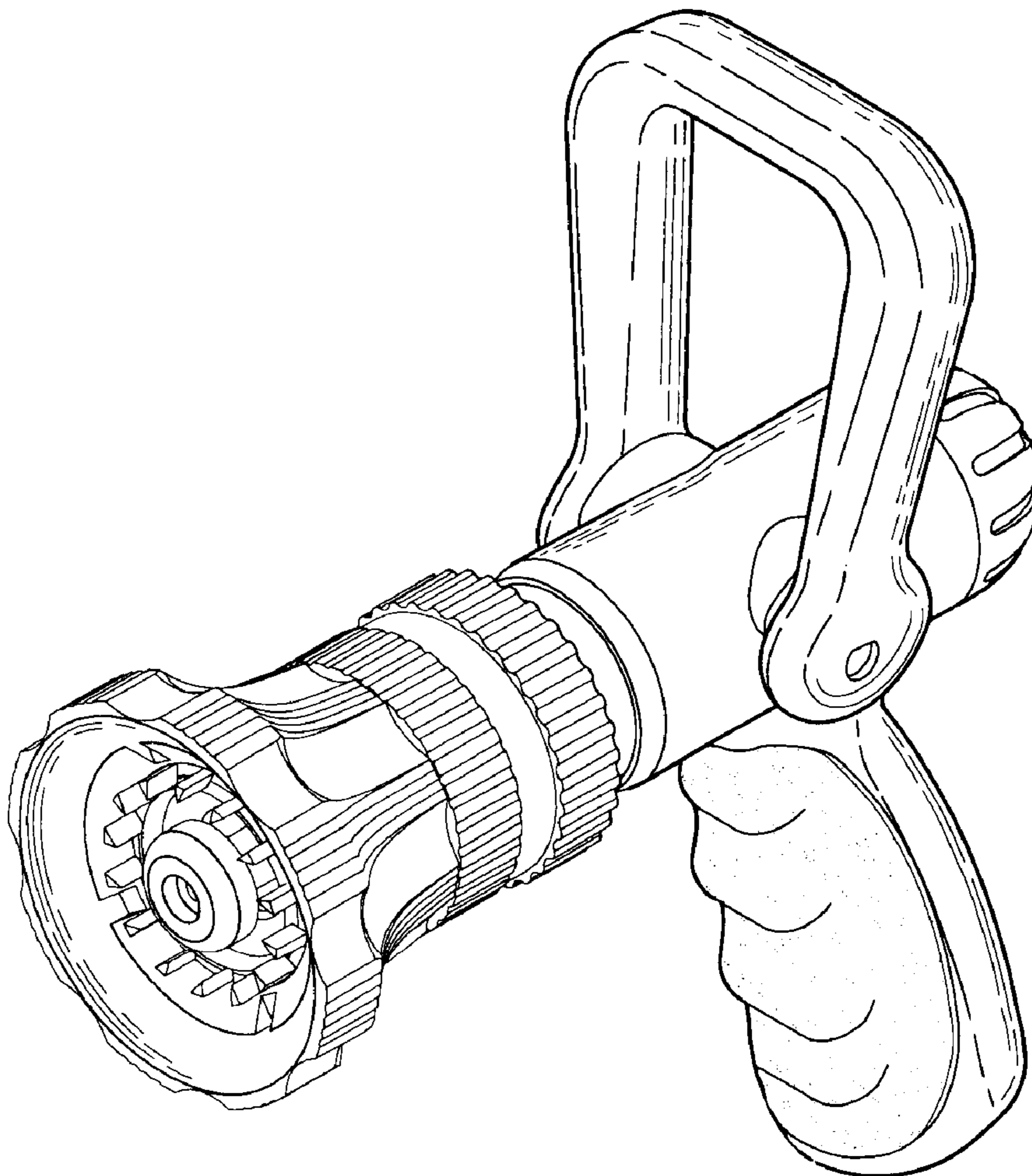
(56) **References Cited**

U.S. PATENT DOCUMENTS

4,470,549 A * 9/1984 McMillan et al. 239/583

5,918,807 A * 7/1999 Doss 239/1

1 Claim, 4 Drawing Sheets



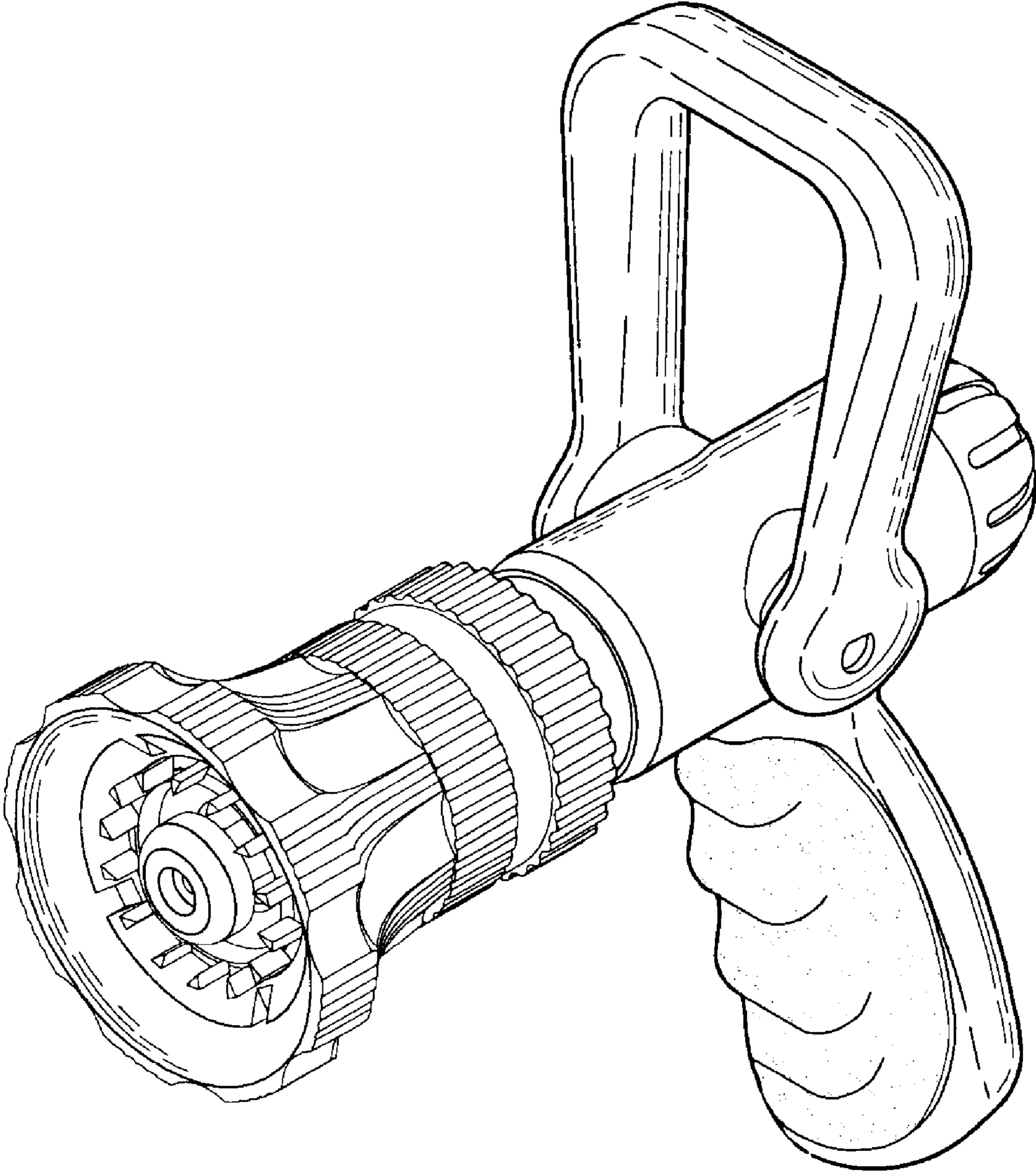


FIG. 1

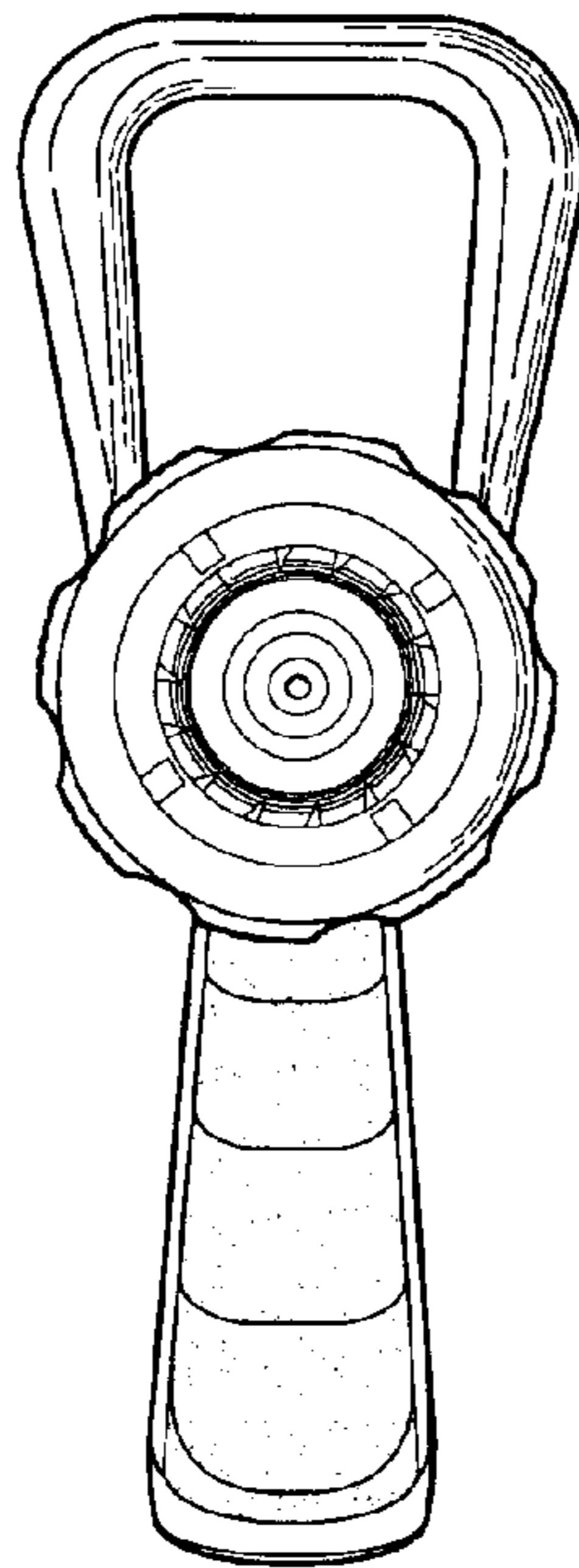


FIG. 2

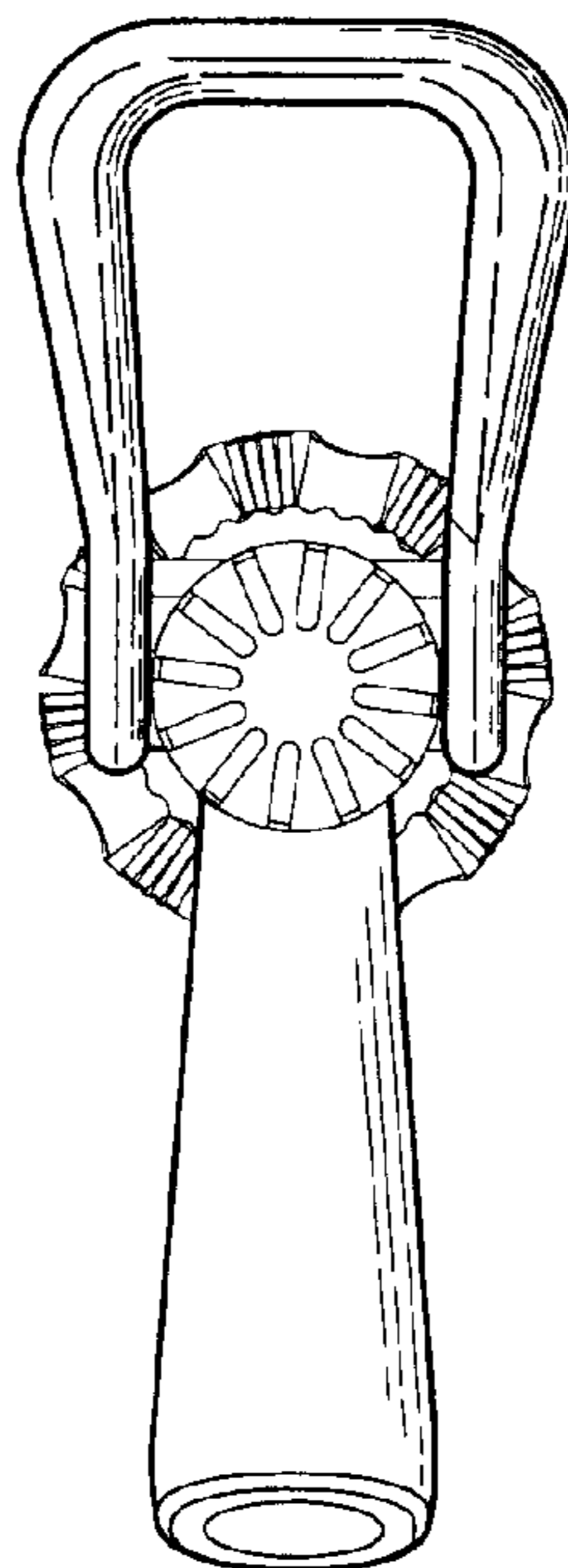


FIG. 3

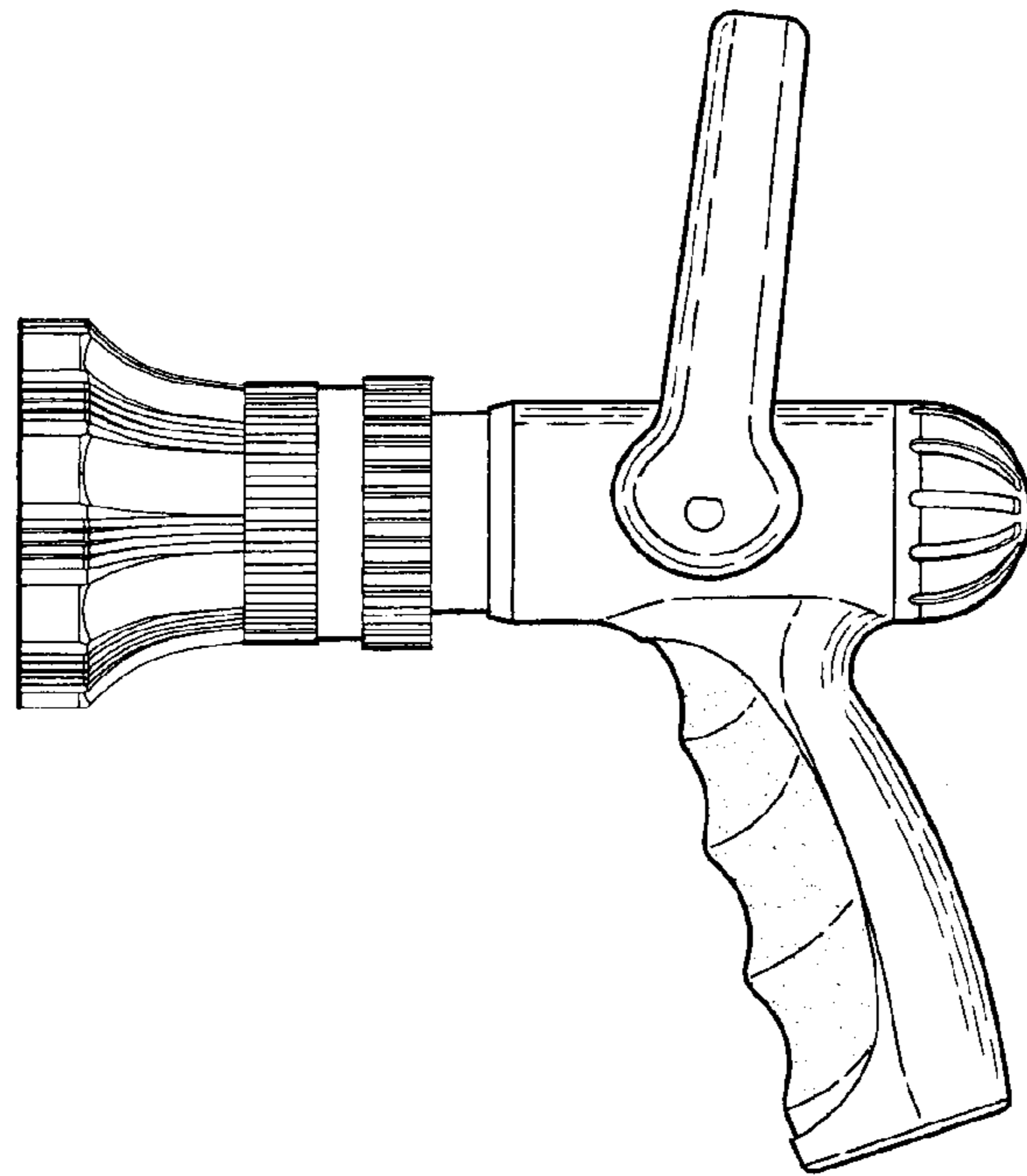


FIG. 4

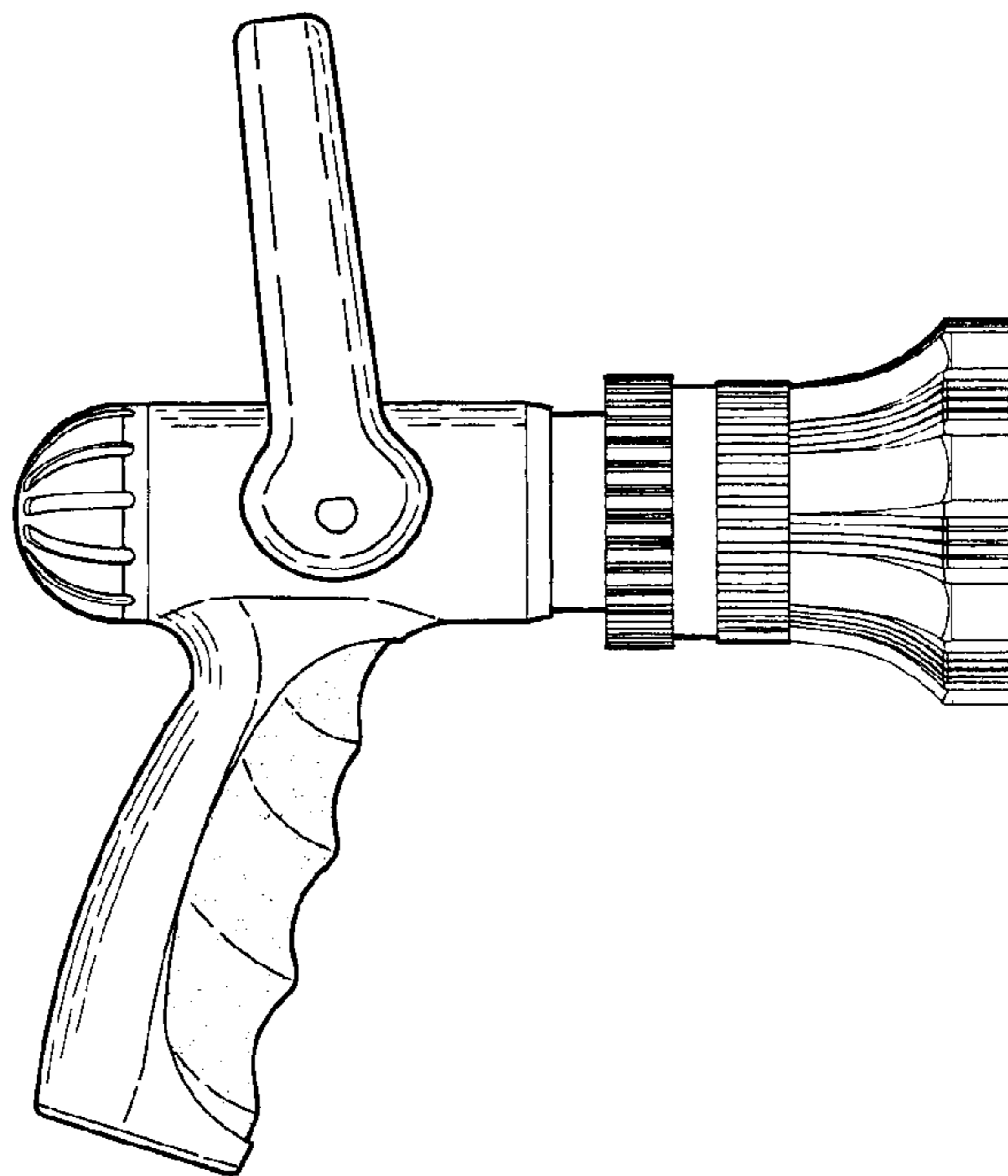


FIG. 5

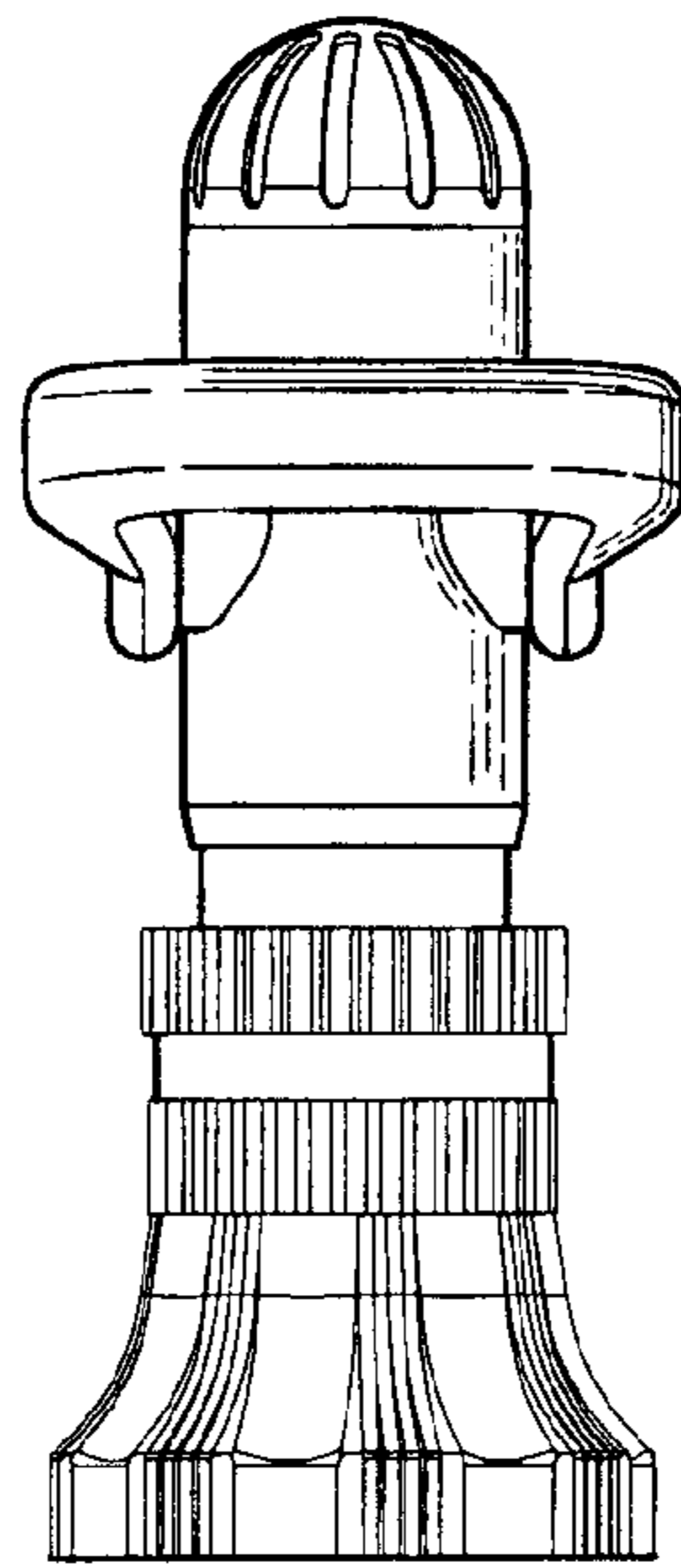


FIG. 6

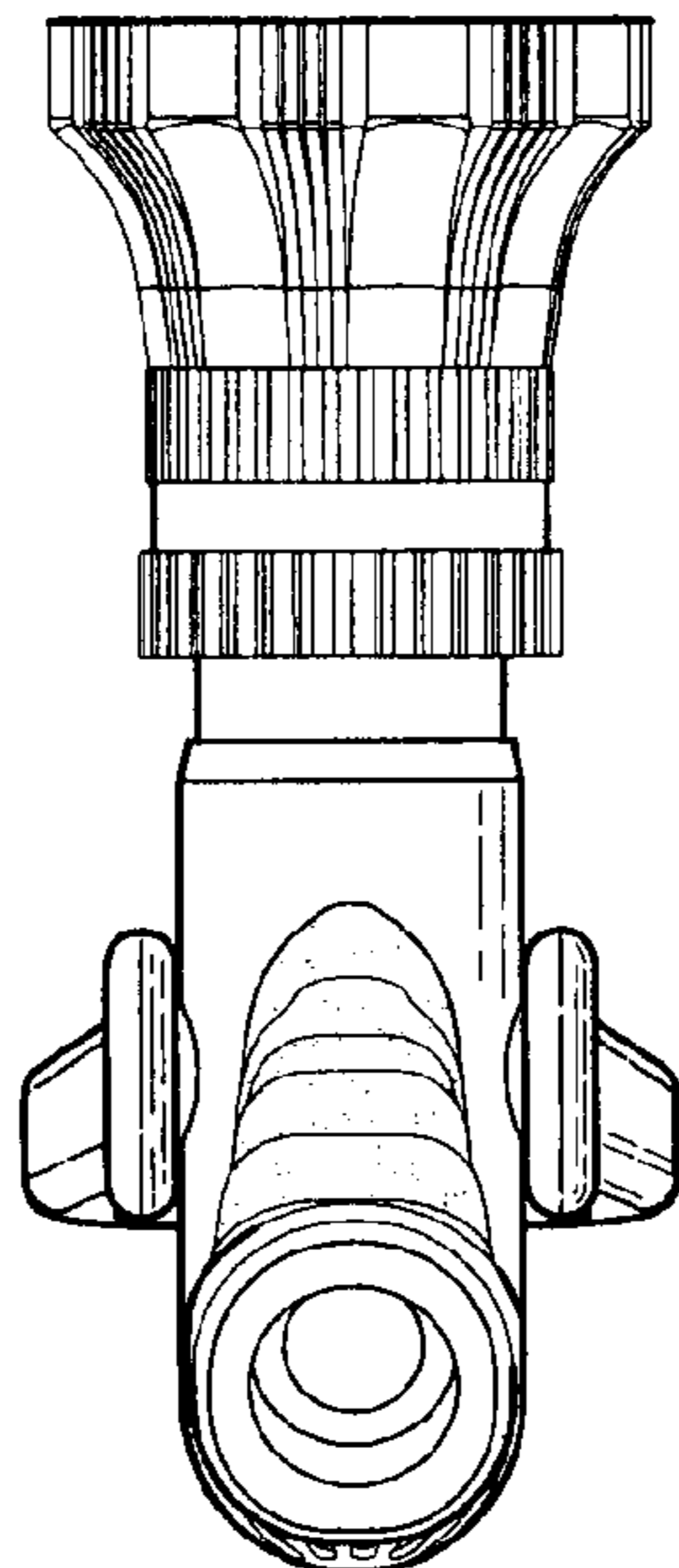


FIG. 7