



US00D515661S

(12) **United States Design Patent** (10) **Patent No.:** **US D515,661 S**
Hughes et al. (45) **Date of Patent:** **** *Feb. 21, 2006**

(54) **WALL-MOUNTED SHOWERHEAD**

D405,158 S * 2/1999 Hagen D23/213
D484,569 S * 12/2003 Douglas D23/213
D496,712 S * 9/2004 Schiller et al. D23/229

(75) Inventors: **Aaron Hughes**, Fort Lauderdale, FL (US); **Jeff DeBoer**, Ann Arbor, MI (US); **Curt Bailey**, Birmingham, MI (US); **Noah Dingler**, Waterford, MI (US); **Dominic Daunter**, Howell, MI (US)

* cited by examiner

Primary Examiner—Robin V. Taylor
(74) *Attorney, Agent, or Firm*—Edgar A. Zarins; Lloyd D. Doigan

(73) Assignee: **Alsons Corporation**, Hillsdale, MI (US)

(57) **CLAIM**

The ornamental design for a wall-mounted showerhead, as shown and described.

(*) Notice: This patent is subject to a terminal disclaimer.

DESCRIPTION

(**) Term: **14 Years**

FIG. 1 is a perspective view of a wall-mounted showerhead showing our new design;

(21) Appl. No.: **29/197,106**

FIG. 2 is a right side view thereof, the opposite side being a mirror image of the side shown;

(22) Filed: **Jan. 9, 2004**

FIG. 3 is a top plan view thereof;

(51) **LOC (8) Cl.** **23-01**

FIG. 4 is a front elevational view thereof;

(52) **U.S. Cl.** **D23/213**

FIG. 5 is a rear view thereof;

(58) **Field of Classification Search** D23/213, D23/223, 226, 229, 230; 239/282, 283
See application file for complete search history.

FIG. 6 is a front elevational view of an alternative embodiment thereof;

FIG. 7 is a right side view of the alternative embodiment thereof; and,

(56) **References Cited**

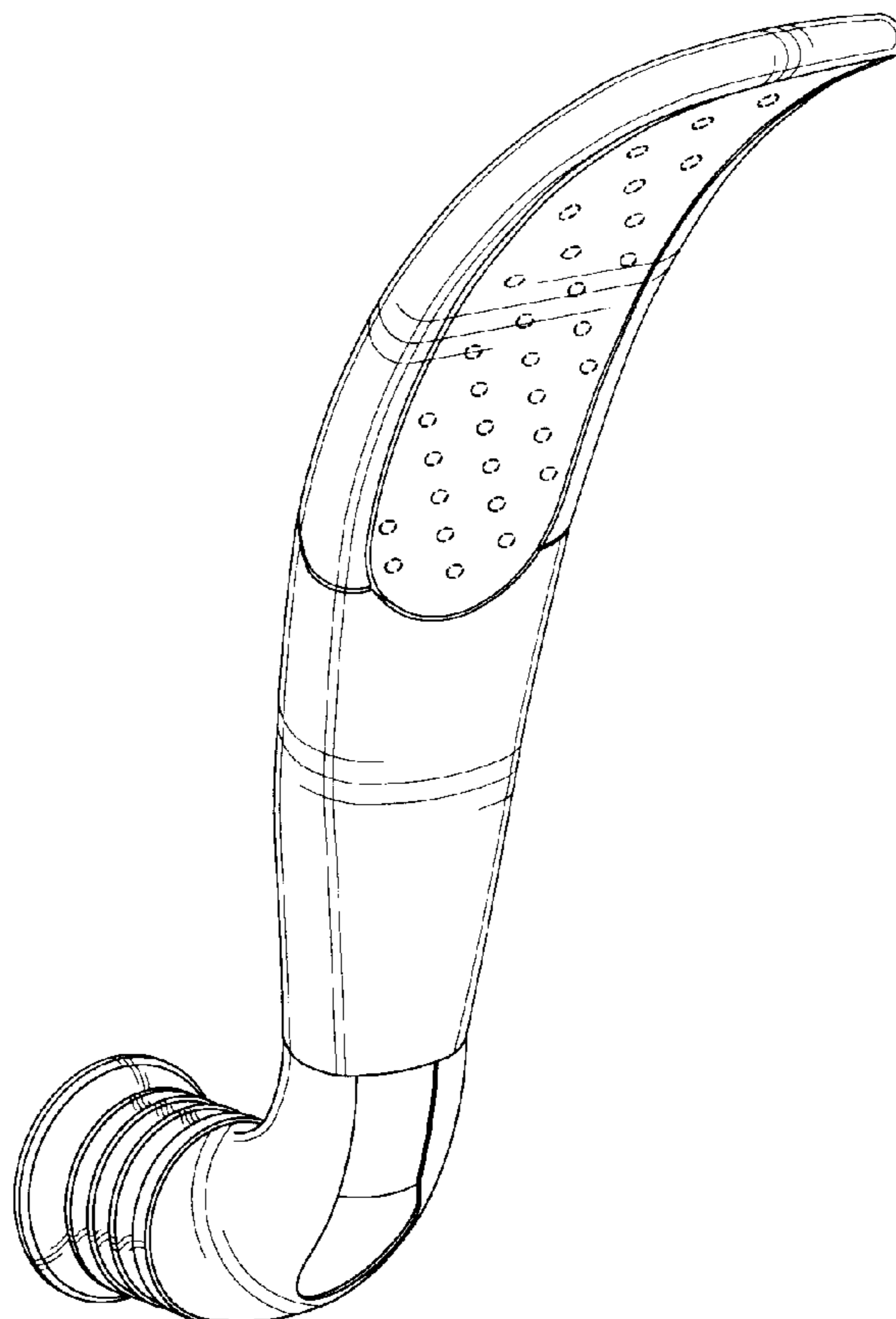
FIG. 8 is a top plan view thereof.

The broken lines of the face pattern are for illustrative purposes only and form no part of the claimed design.

U.S. PATENT DOCUMENTS

5,499,767 A * 3/1996 Morand 239/383

1 Claim, 3 Drawing Sheets



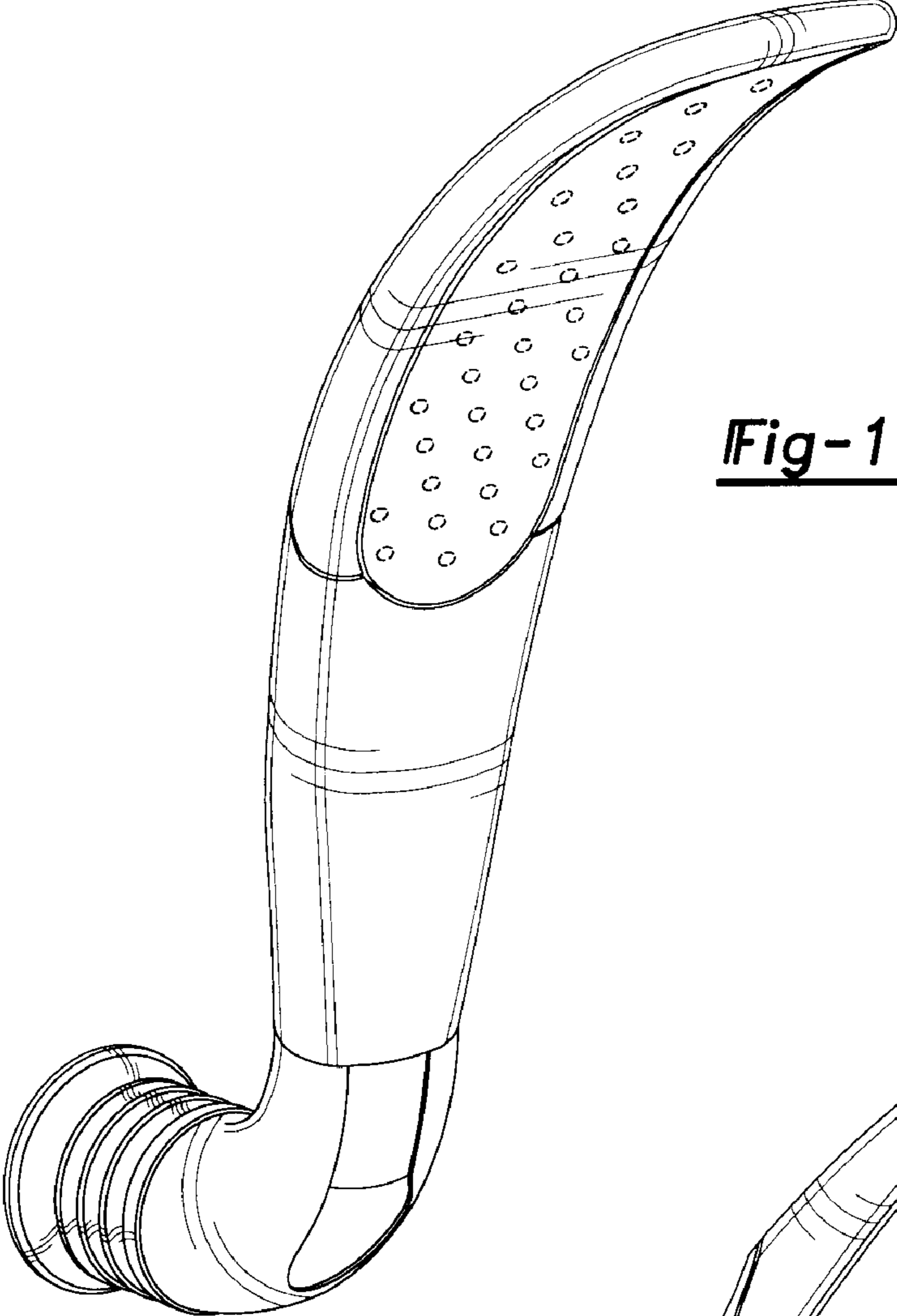


Fig-1

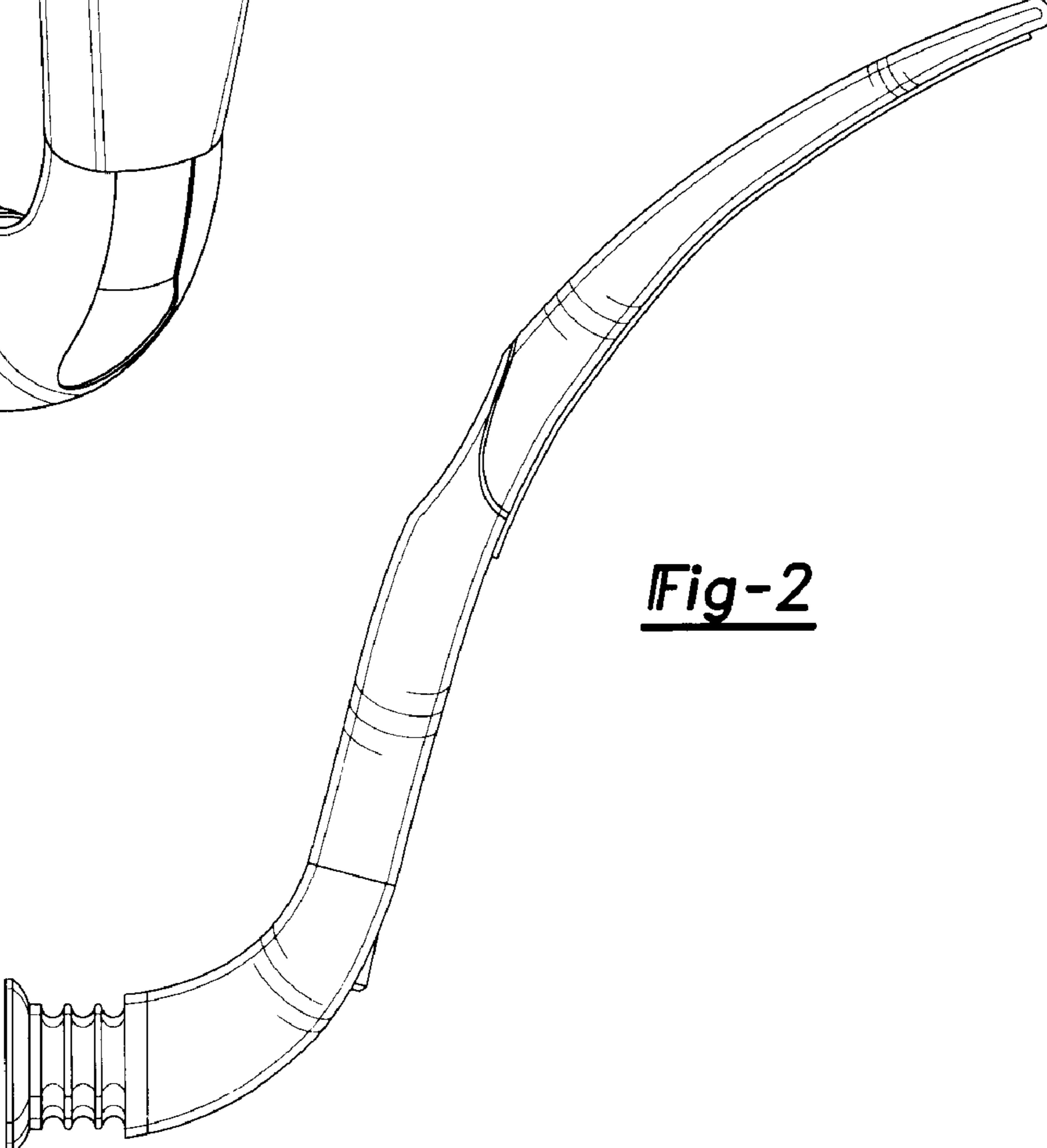


Fig-2

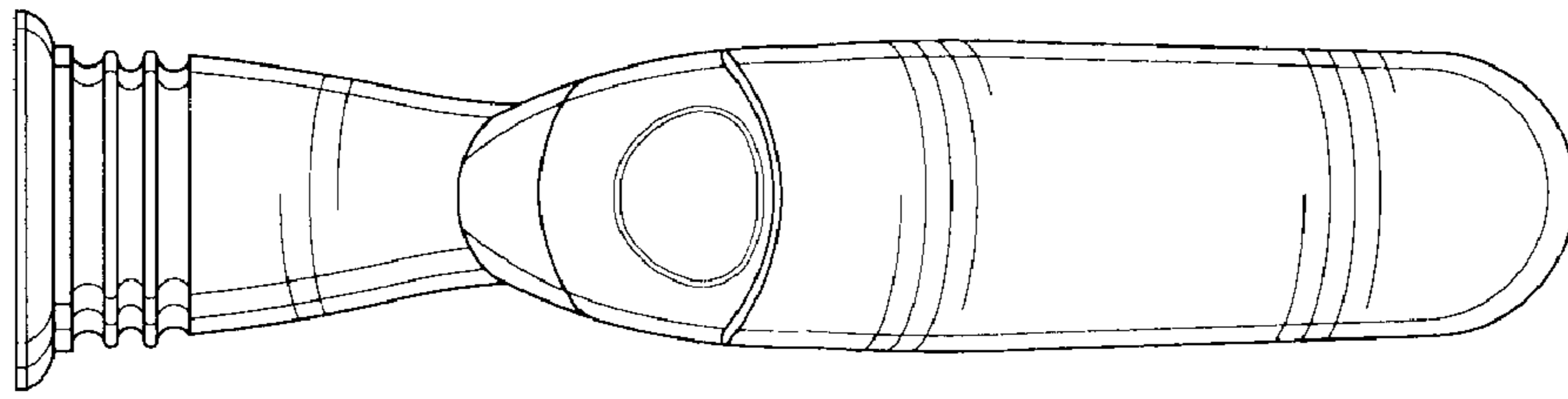


Fig-3

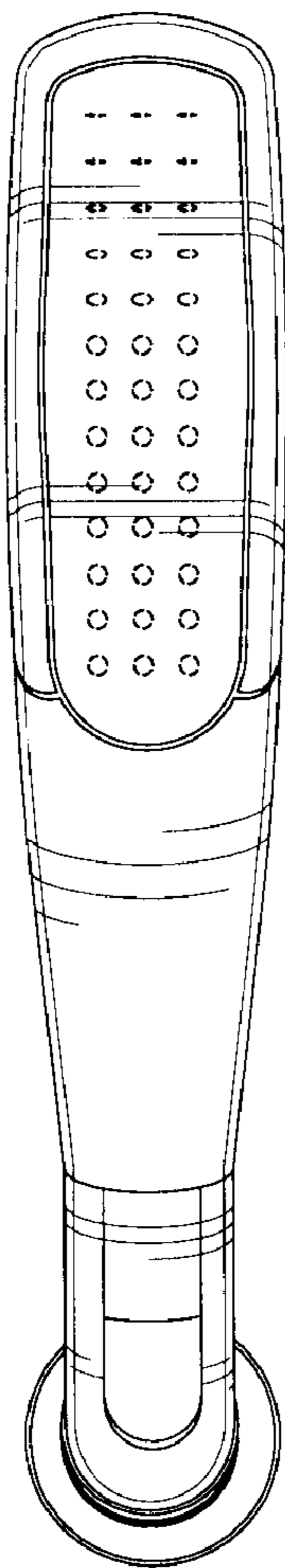


Fig-4

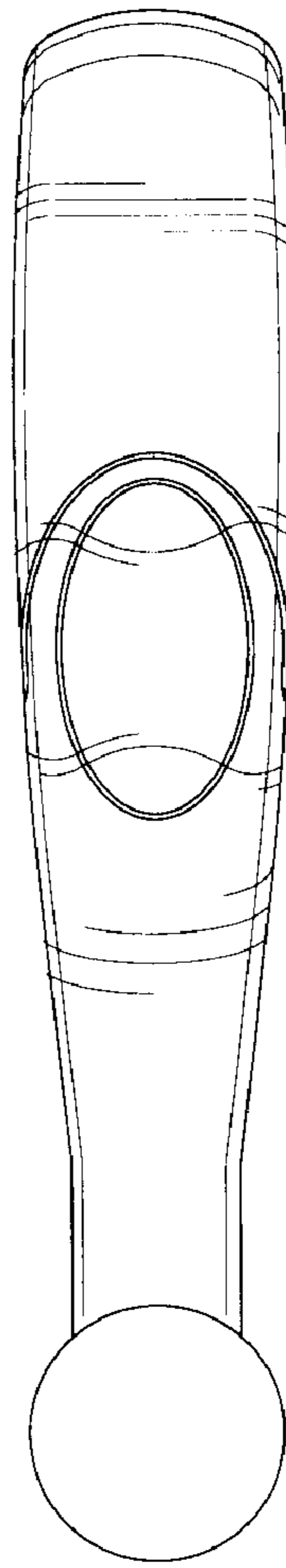


Fig-5

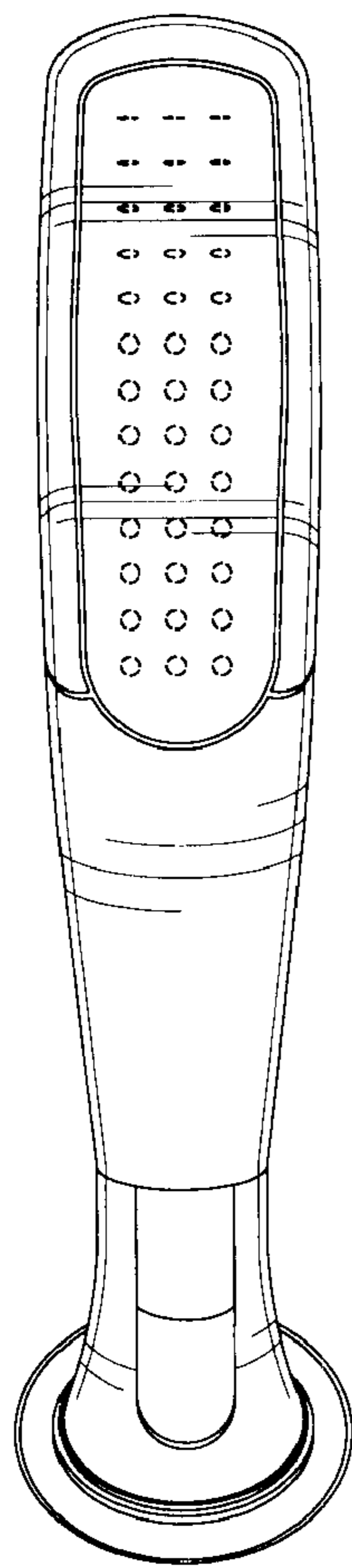


Fig-6

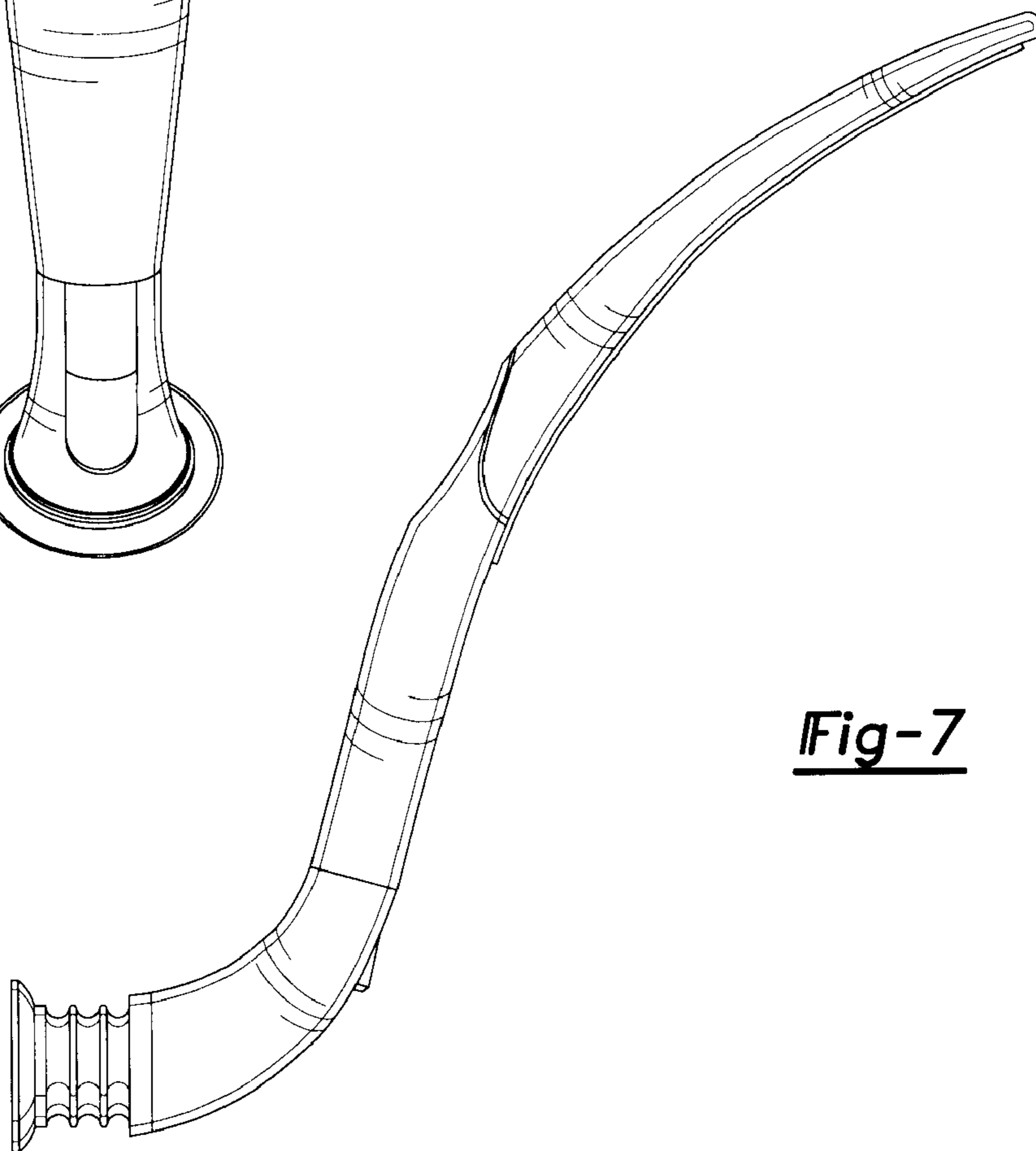


Fig-7

Fig-8

