



US00D515655S

(12) **United States Design Patent**
Bechhold

(10) **Patent No.:** **US D515,655 S**

(45) **Date of Patent:** **** Feb. 21, 2006**

(54) **FISHING FLASHER WITH SPINNERS**

D453,811 S * 2/2002 Hobson et al. D22/129
D495,396 S * 8/2004 Yamaguchi D22/129

(76) **Inventor:** **Jerry Bechhold**, P.O. Box 2672,
Petaluma, CA (US) 94975

* cited by examiner

(**) **Term:** **14 Years**

Primary Examiner—Catherine R. Oliver
(74) *Attorney, Agent, or Firm*—Johnson & Stainbrook LLP;
Craig M. Stainbrook; Larry D. Johnson

(21) **Appl. No.:** **29/218,002**

(22) **Filed:** **Nov. 24, 2004**

(57) **CLAIM**

(51) **LOC (8) Cl.** **22-05**

The ornamental design for a fishing flasher with spinners, as shown and described.

(52) **U.S. Cl.** **D22/129**

(58) **Field of Classification Search** D22/125–133;

43/43.13, 42.31, 45.51, 42.32, 42.33, 42.34,

43/42.5–43.1, 43.16, 42.18, 42.39

See application file for complete search history.

DESCRIPTION

FIG. 1 is an upper left front perspective view.

FIG. 2 is a top plan view.

FIG. 3 is a right side elevation view.

FIG. 4 is a bottom plan view.

FIG. 5 is a left side elevational view.

FIG. 6 is a front elevational view; and,

FIG. 7 is a rear elevational view.

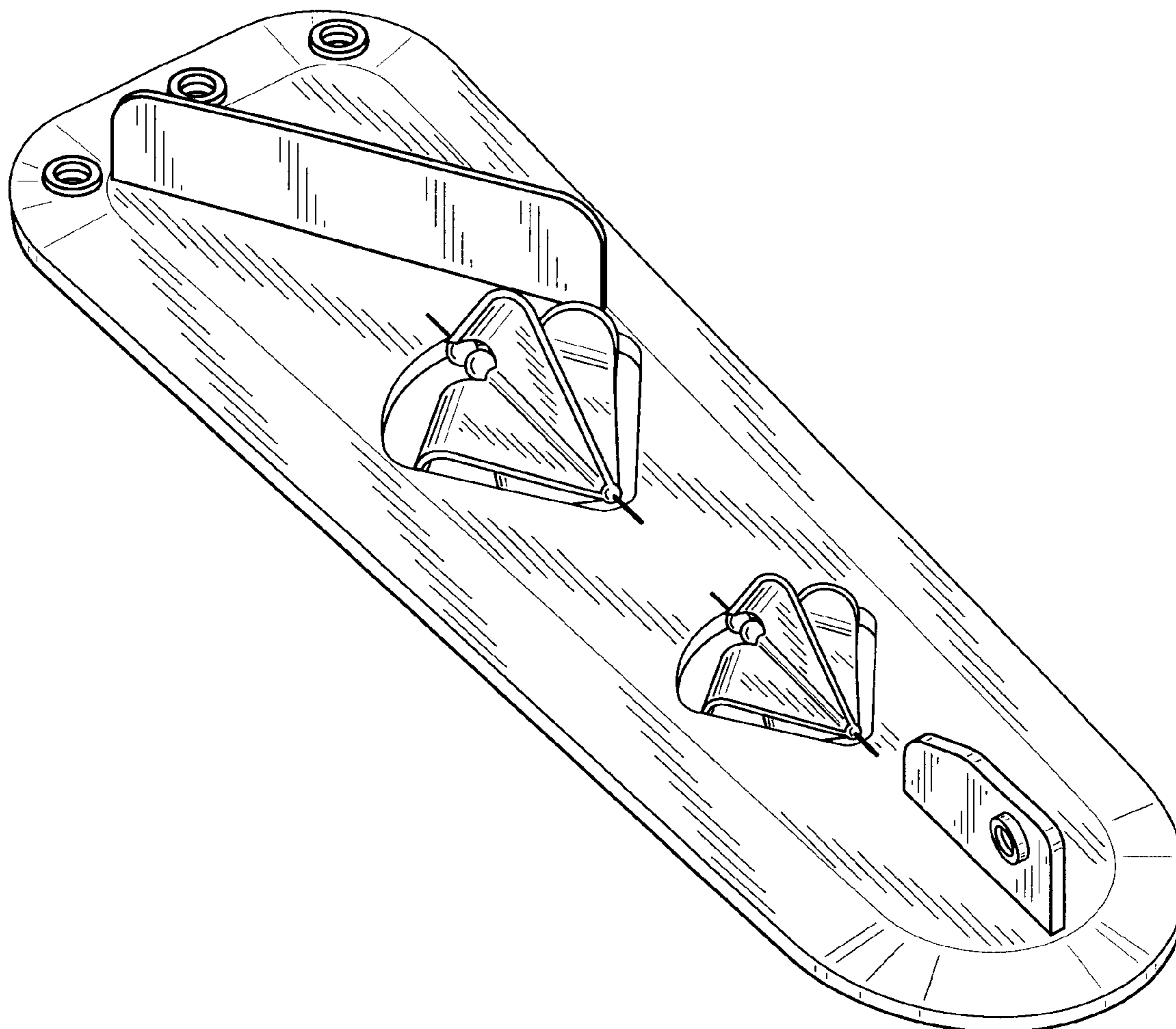
(56) **References Cited**

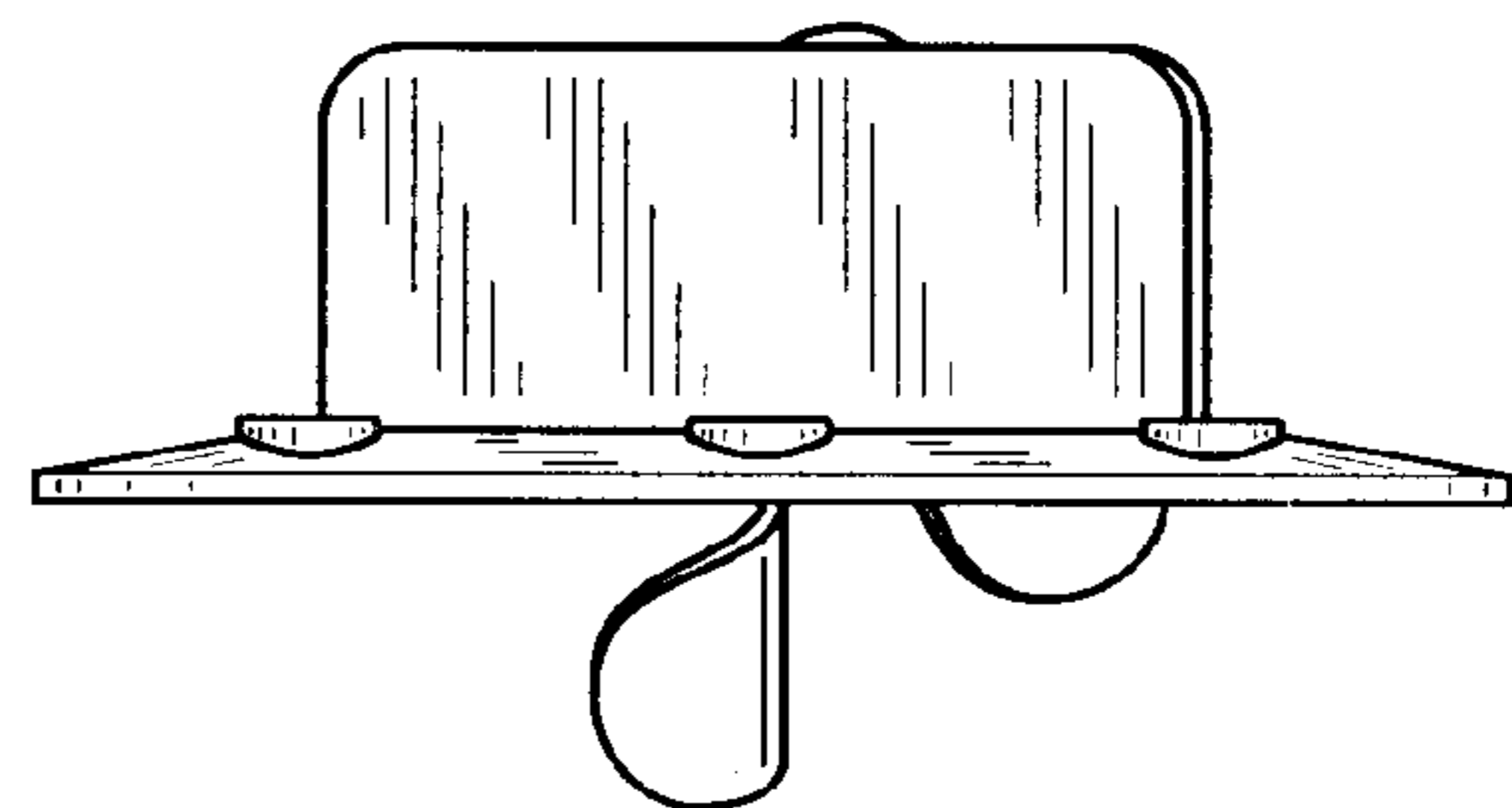
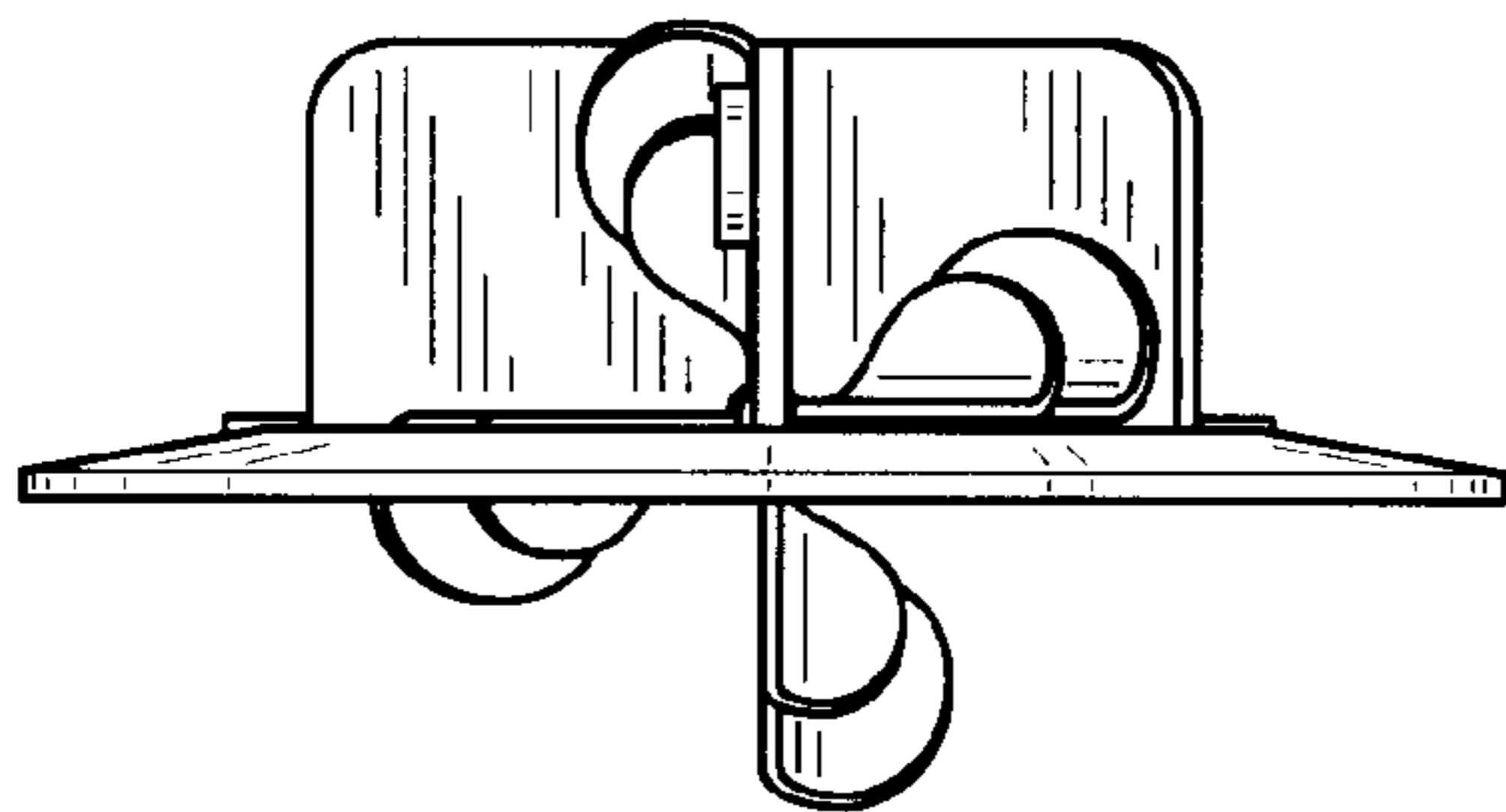
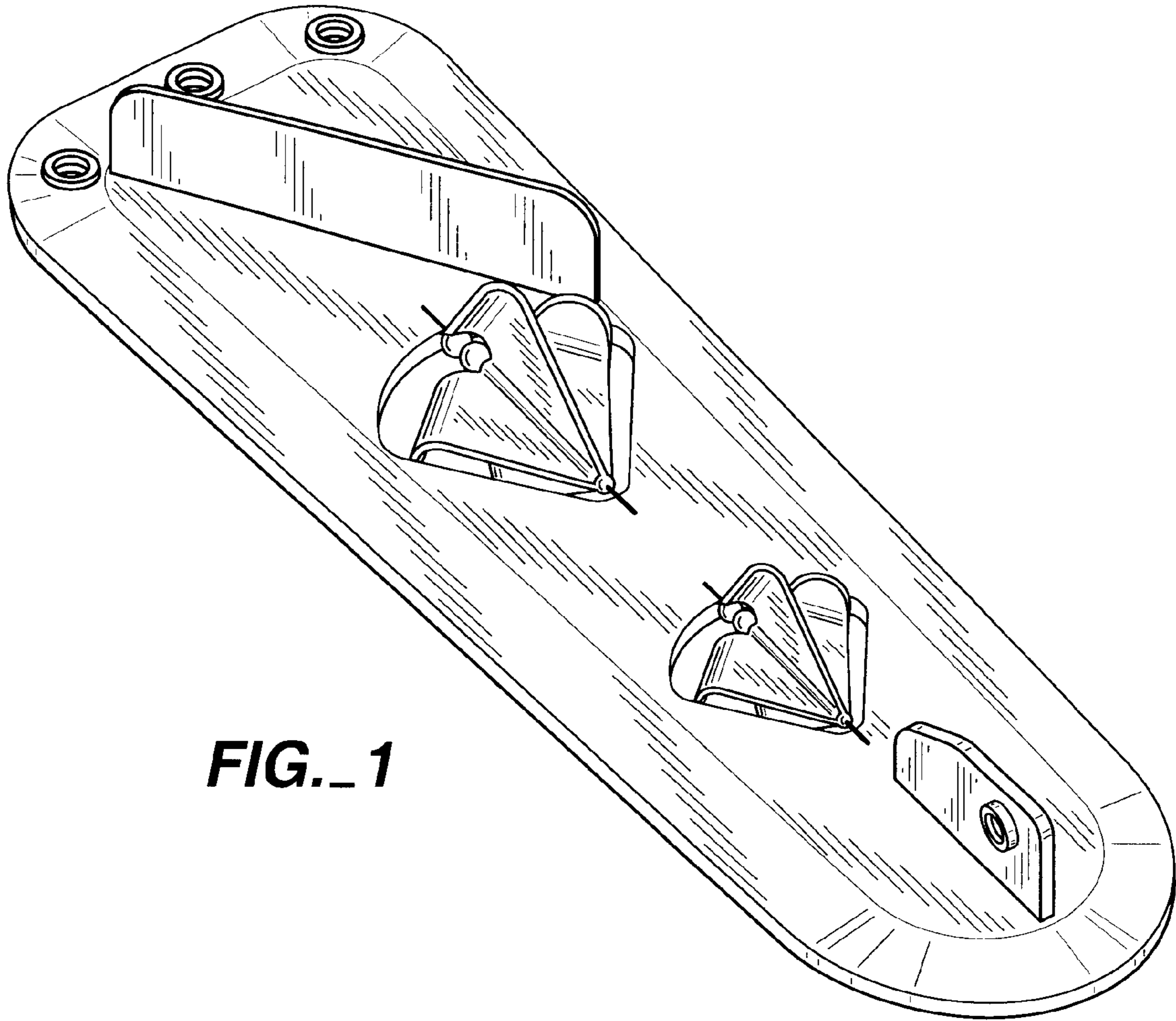
U.S. PATENT DOCUMENTS

5,339,561 A * 8/1994 Weber 43/43.13

D447,211 S * 8/2001 Kysilka D22/129

1 Claim, 3 Drawing Sheets





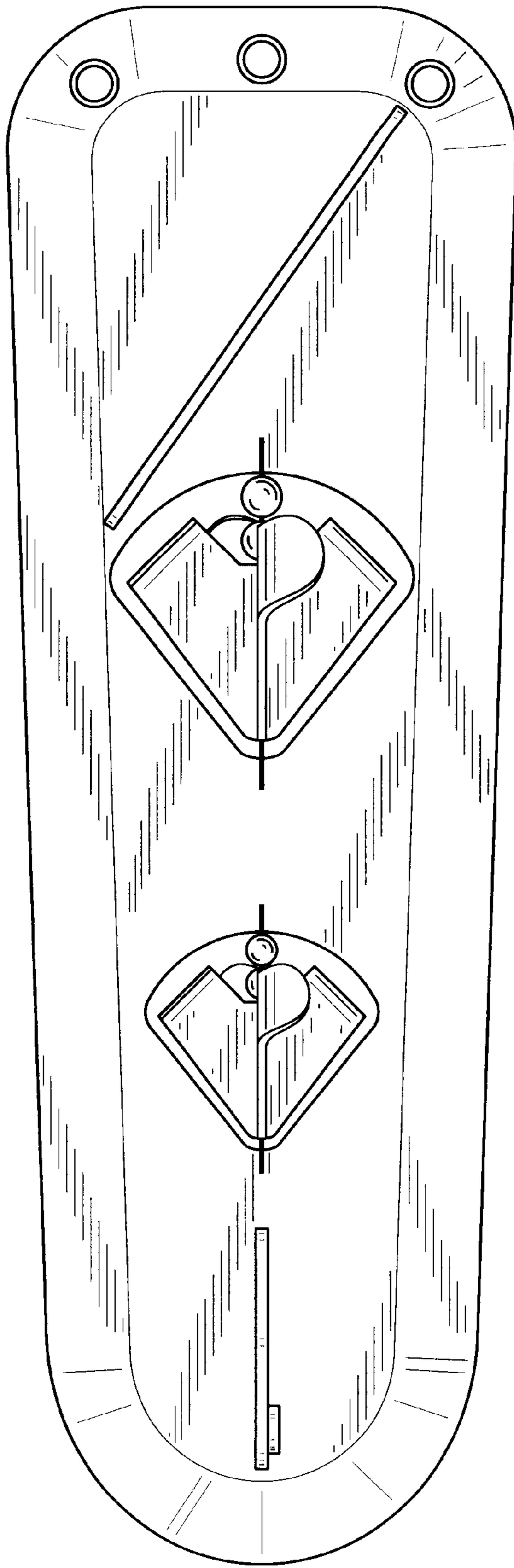


FIG._2

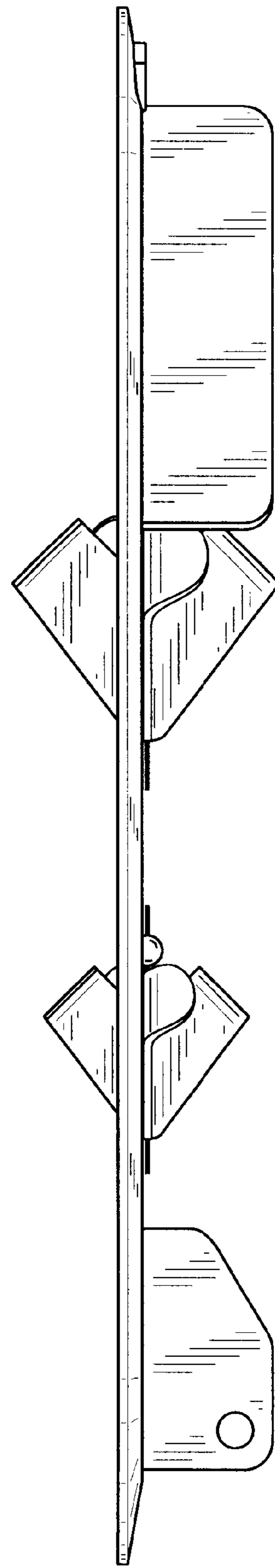


FIG._3

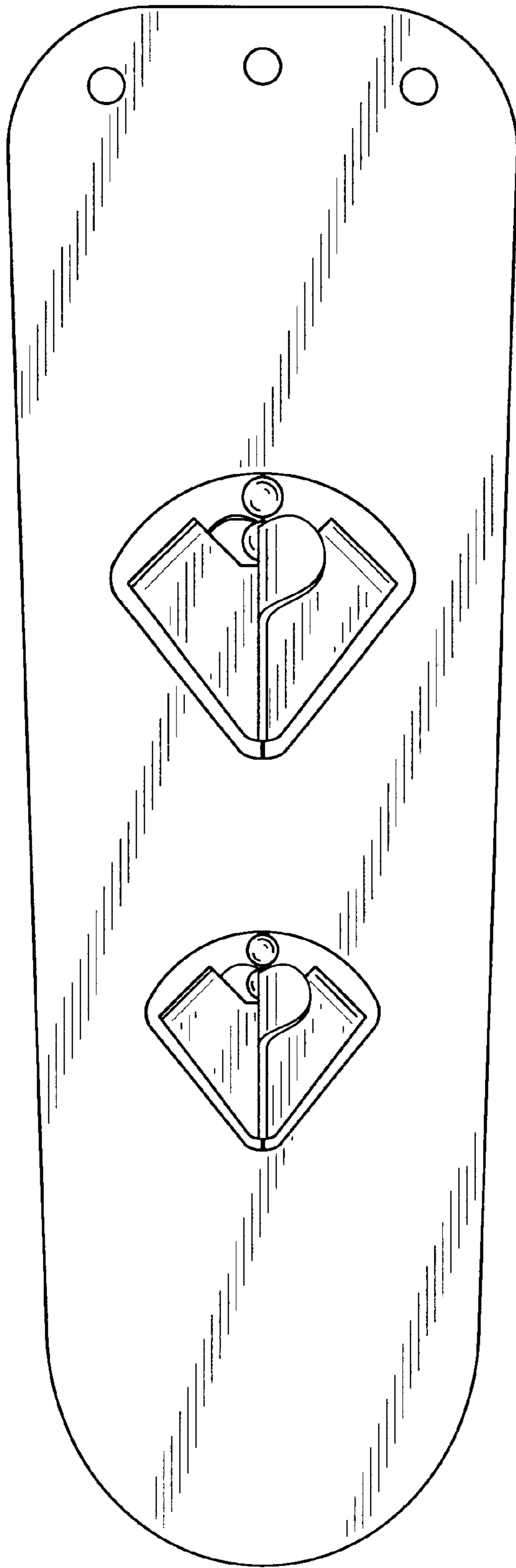


FIG. 4

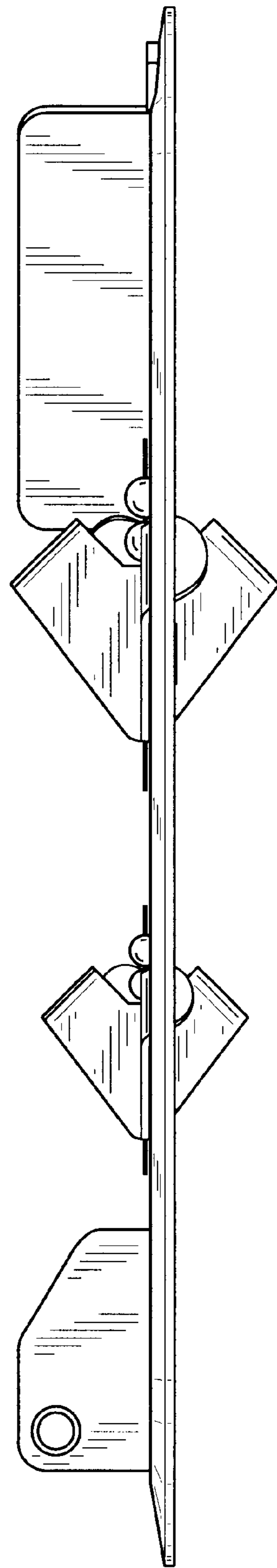


FIG. 5