



US00D515652S

(12) **United States Design Patent**  
**McCreath**

(10) **Patent No.:** **US D515,652 S**  
(45) **Date of Patent:** **\*\* Feb. 21, 2006**

(54) **TRAINING DEVICE**

D430,254 S \* 8/2000 Norblom ..... D21/798

(76) **Inventor:** **Mark A. McCreath**, 11 Banstead Street  
West Harehills, Leeds (GB), LS8 5PU

\* cited by examiner

(\*\*) **Term:** **14 Years**

*Primary Examiner*—Philip S. Hyder  
(74) *Attorney, Agent, or Firm*—Venable LLP; Michael A. Sartori

(21) **Appl. No.:** **29/209,150**

(57) **CLAIM**

(22) **Filed:** **Jul. 13, 2004**

I claim the ornamental design for a training device, as shown and described.

(30) **Foreign Application Priority Data**

Jan. 27, 2004 (EM) ..... 127725

**DESCRIPTION**

(51) **LOC (8) Cl.** ..... **21-02**

FIG. 1 is a rear perspective view of the inventive training device;

(52) **U.S. Cl.** ..... **D21/798; D21/787**

FIG. 2 is a top view of the inventive training device of FIG. 1;

(58) **Field of Classification Search** ..... D21/662,

D21/787, 798; 482/83, 84, 85, 86, 87, 88

FIG. 3 is a bottom view of the inventive training device of FIG. 1;

See application file for complete search history.

FIG. 4 is a left side view of the inventive training device of FIG. 1;

(56) **References Cited**

**U.S. PATENT DOCUMENTS**

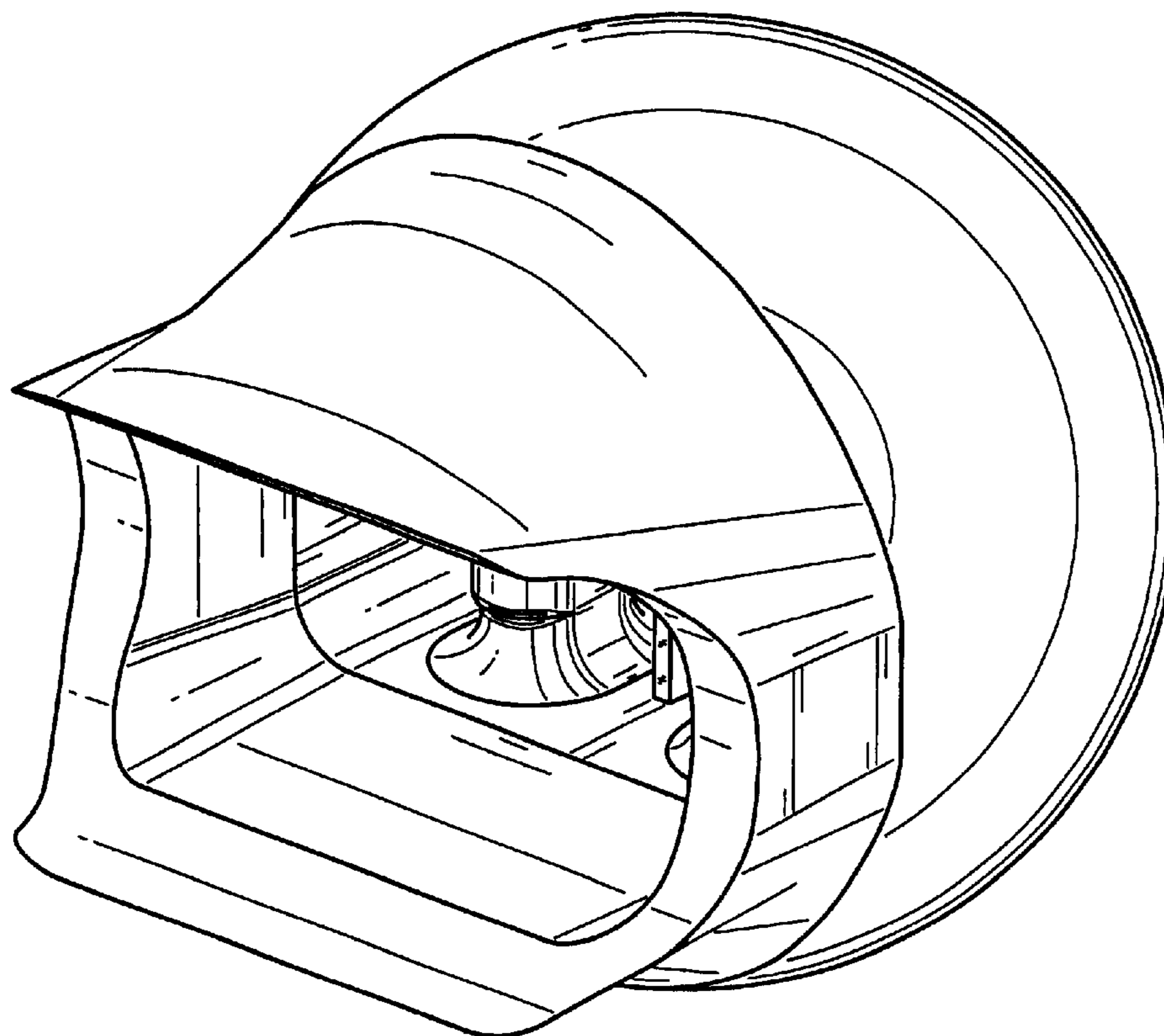
- 3,185,476 A \* 5/1965 Fechner ..... 473/596
- 4,478,408 A \* 10/1984 Bruckner ..... 482/83
- 4,546,966 A \* 10/1985 Segura ..... 482/88
- 4,667,954 A \* 5/1987 McCorkle ..... 482/86
- 4,991,231 A \* 2/1991 Swift ..... 482/88
- 5,009,414 A \* 4/1991 Bass ..... 482/83
- 5,501,649 A \* 3/1996 Queppet ..... 482/88
- D420,413 S \* 2/2000 Gonzalez ..... D21/798

FIG. 5 is a right side view of the inventive training device of FIG. 1;

FIG. 6 is a front view of the inventive training device of FIG. 1; and,

FIG. 7 is a rear view of the inventive training device of FIG. 1.

**1 Claim, 7 Drawing Sheets**



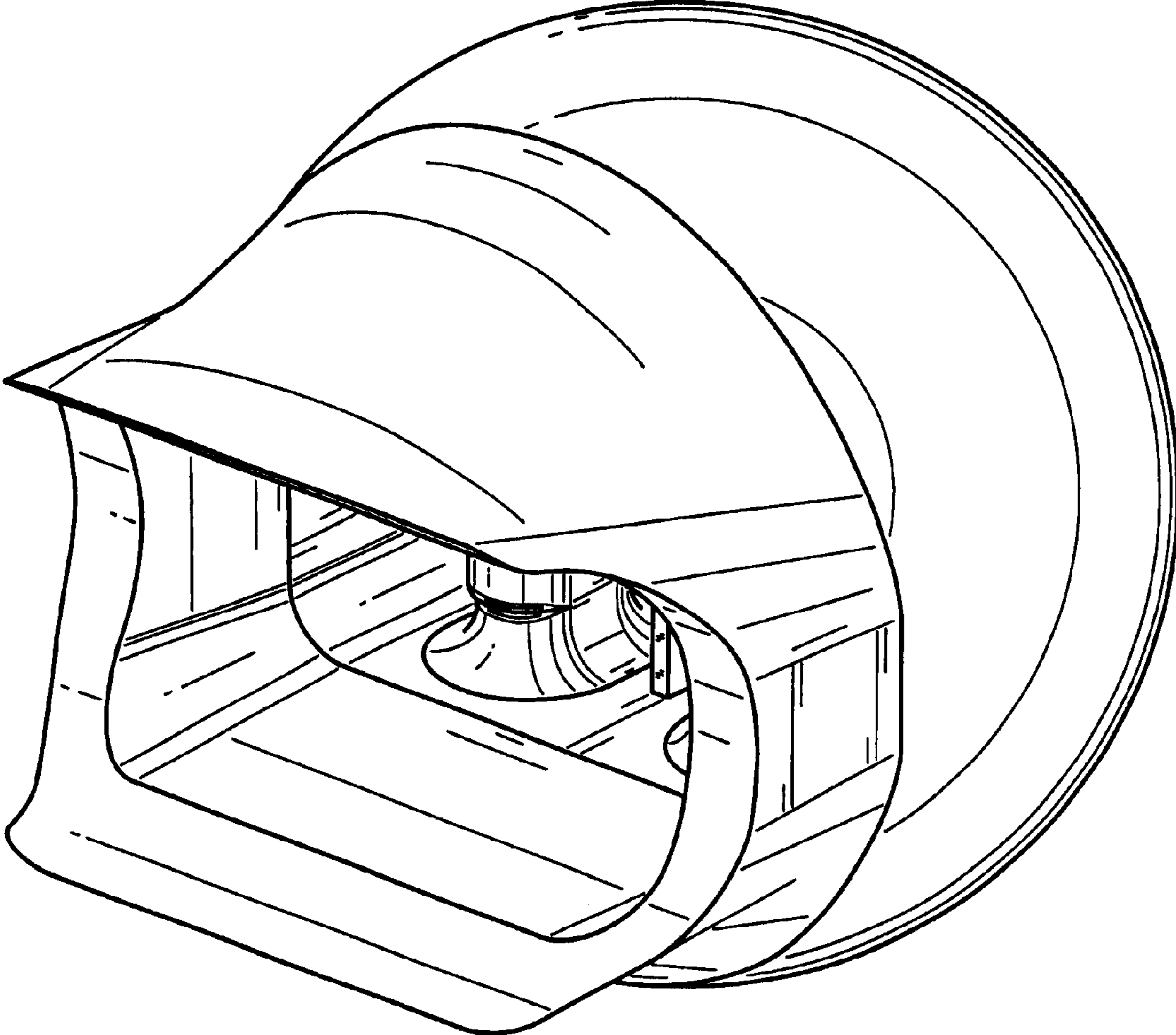


FIG. 1

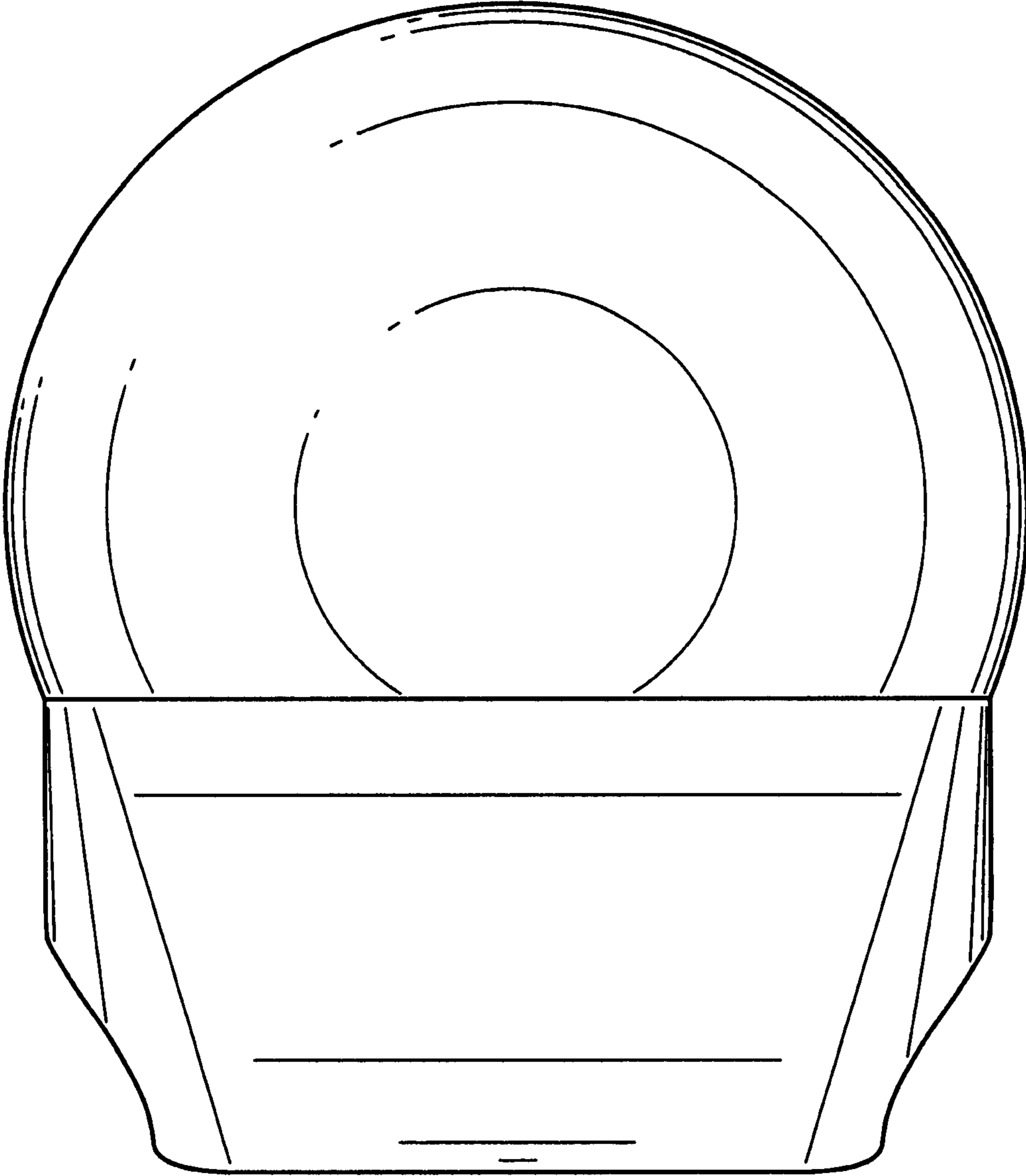


FIG. 2

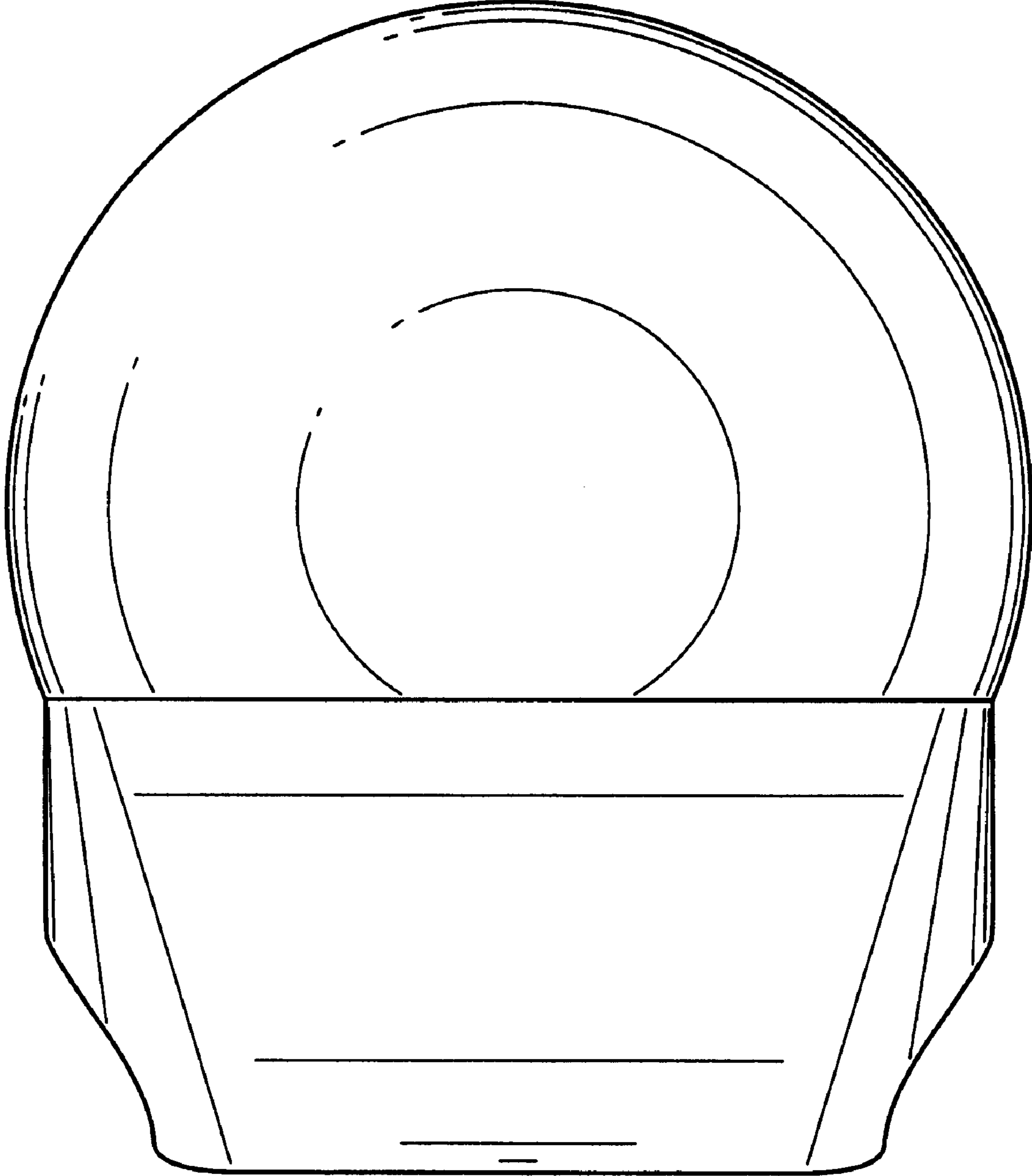


FIG. 3

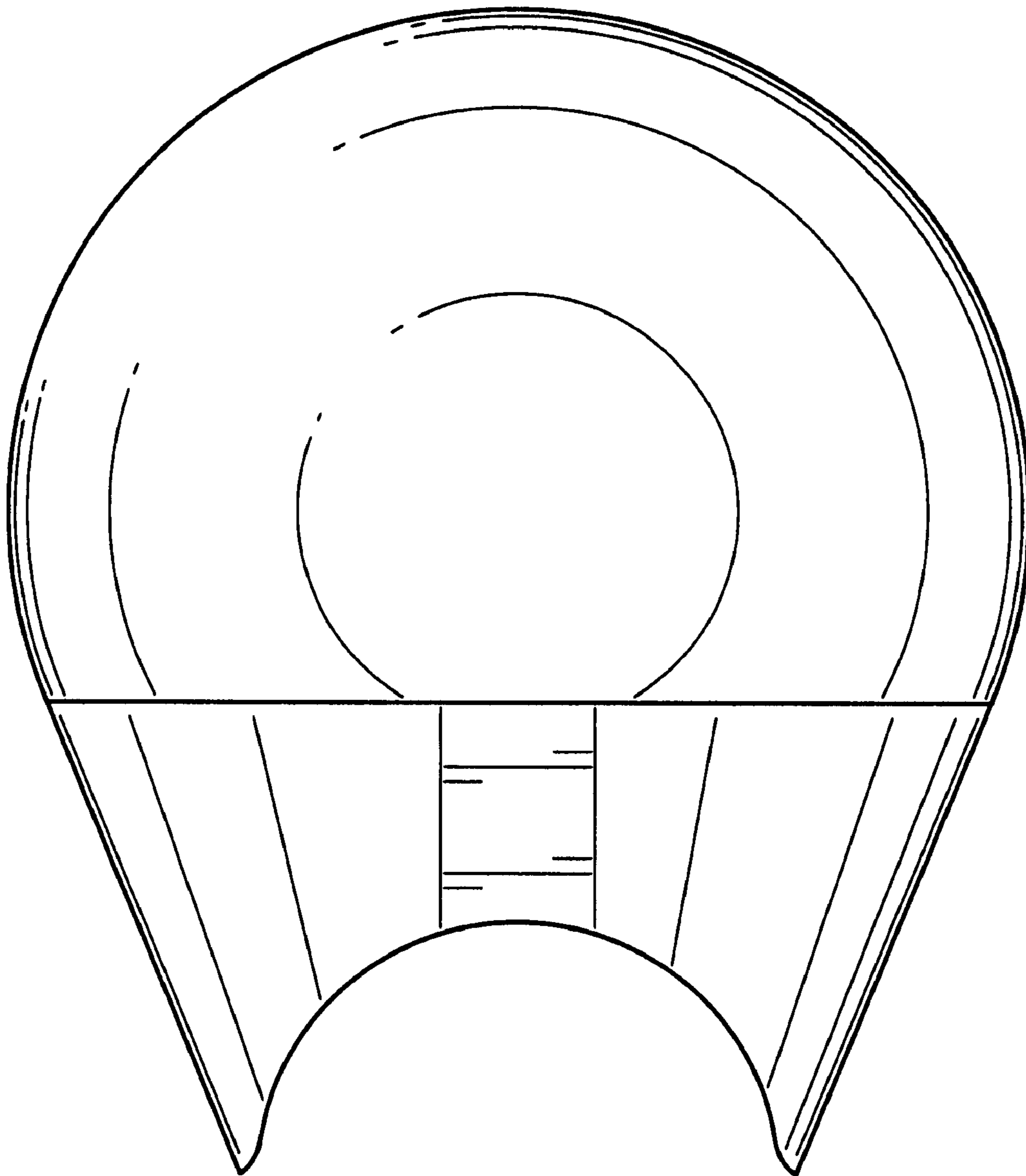


FIG. 4

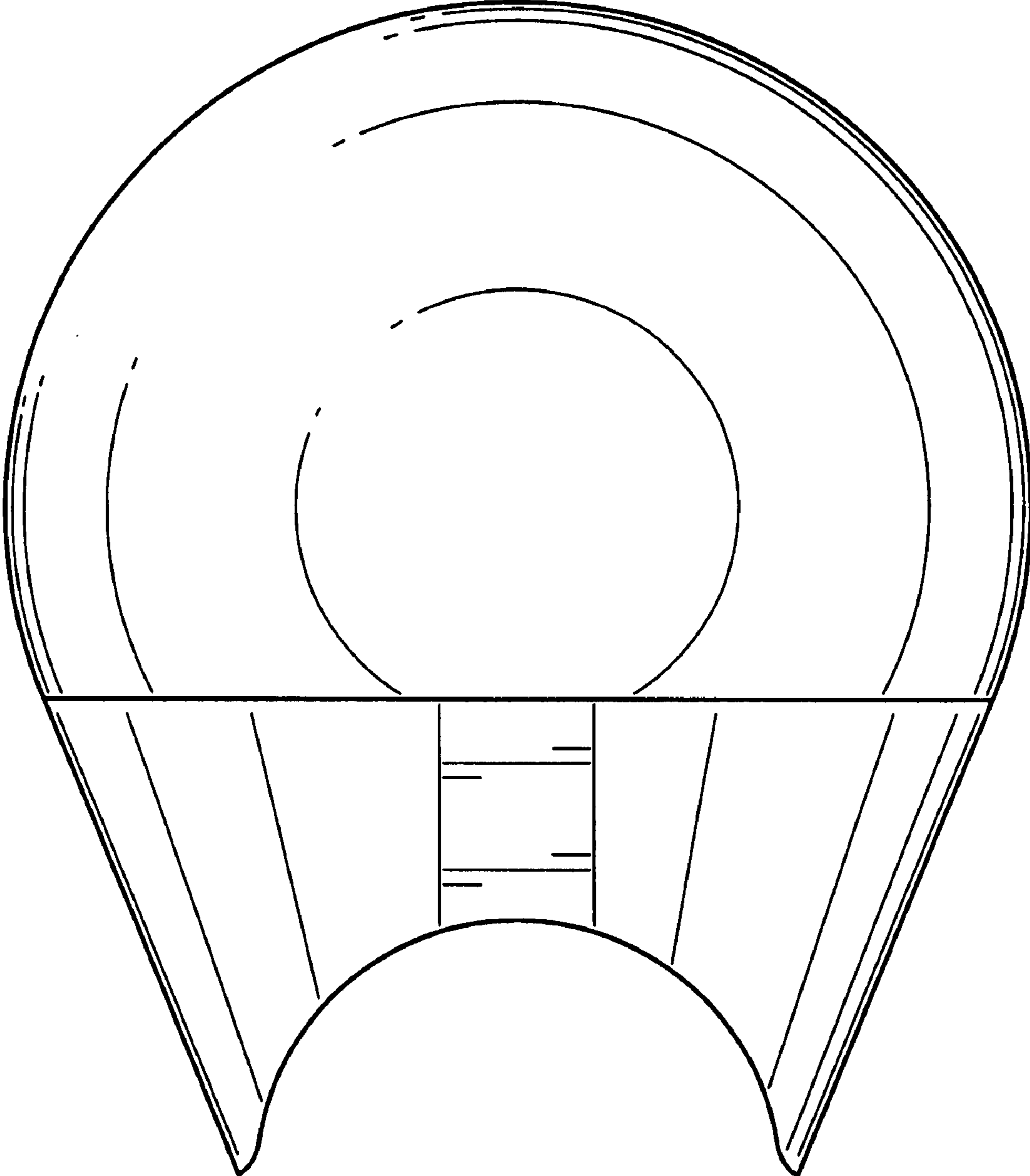


FIG. 5

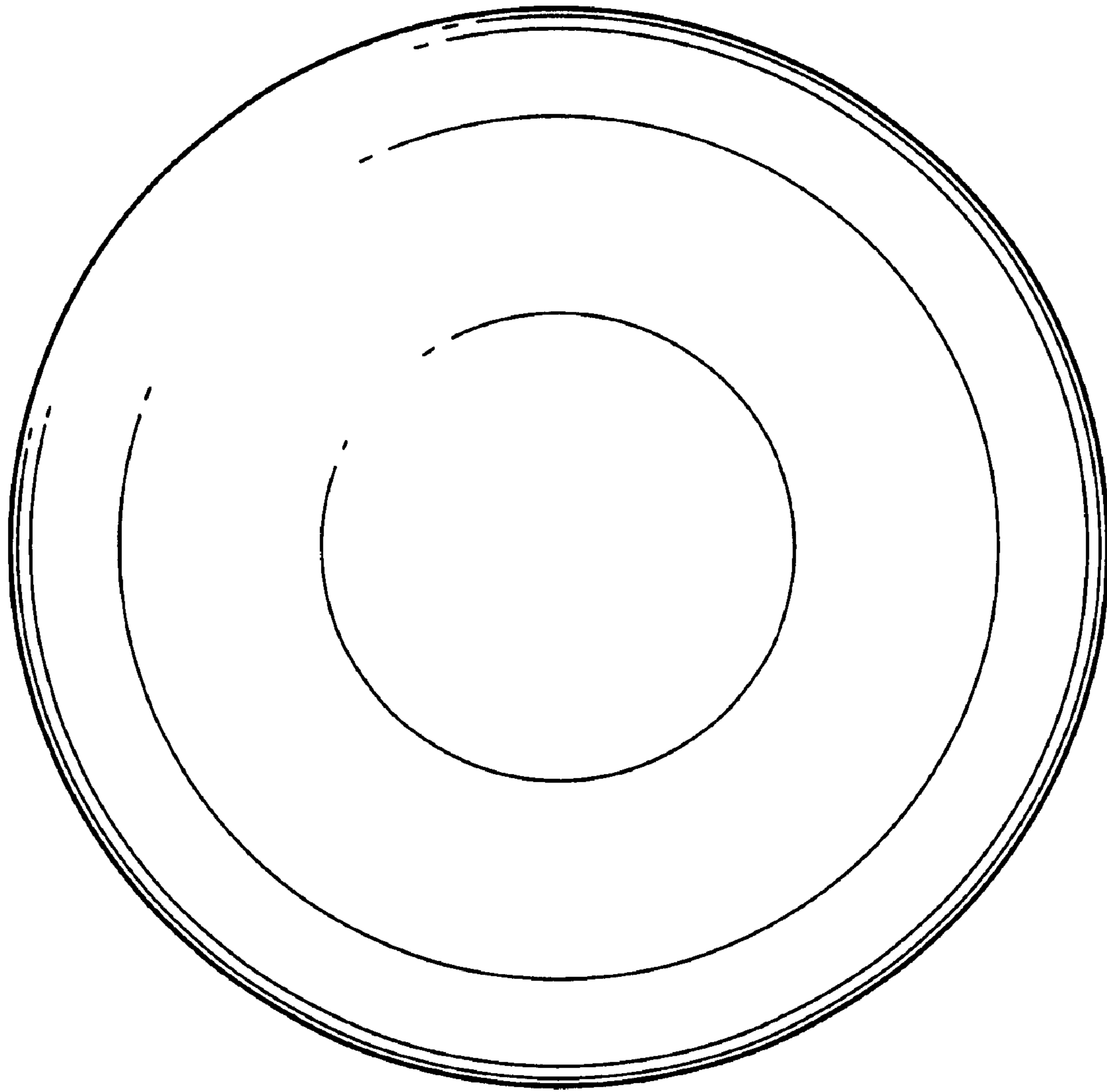


FIG. 6

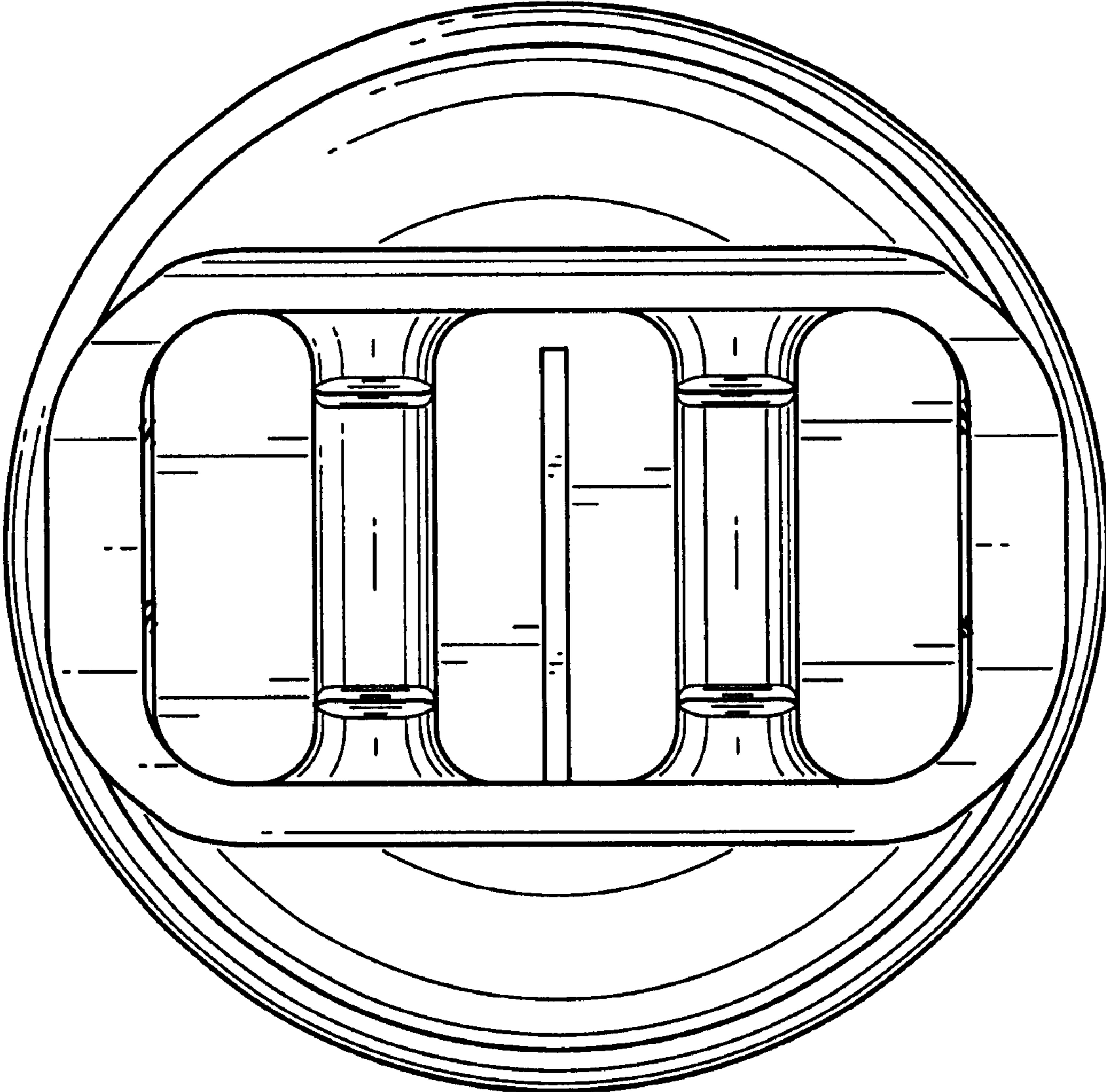


FIG. 7