

US00D515650S

(12) **United States Design Patent**
Hobbs et al.

(10) **Patent No.:** **US D515,650 S**
(45) **Date of Patent:** **** Feb. 21, 2006**

(54) **POOL TABLE**

(75) Inventors: **Brian J. Hobbs**, Fallbrook, CA (US);
Jack Deason, III, Lakeside, CA (US);
Russell A. Prior, Fallbrook, CA (US)

(73) Assignee: **Designer Furniture International**,
Vista, CA (US)

(**) Term: **14 Years**

(21) Appl. No.: **29/214,530**

(22) Filed: **Oct. 4, 2004**

(51) **LOC (8) Cl.** **06-03**

(52) **U.S. Cl.** **D21/784**

(58) **Field of Classification Search** D21/782-784;
D6/491-497; 473/1, 4, 17, 29, 21, 33
See application file for complete search history.

(56) **References Cited**

U.S. PATENT DOCUMENTS

D230,039 S	*	1/1974	Crossman	D21/784
3,881,727 A	*	5/1975	Olson	473/4
D257,684 S		12/1980	Moore	D21/232
5,066,008 A	*	11/1991	Rivera	473/23
D332,293 S	*	1/1993	Powers	D21/784
D332,648 S		1/1993	Mitchell, Jr.	D21/232
D338,939 S		8/1993	Gellerman	D21/232

D408,488 S	*	4/1999	McCormick et al.	D21/784
5,941,778 A	*	8/1999	Vasalech	473/1
D418,185 S	*	12/1999	McCormick et al.	D21/784
D428,953 S		8/2000	Cambra	D21/784
D443,908 S		6/2001	Baker	D21/783
D448,058 S		9/2001	Baker	D21/784
D507,322 S	*	7/2005	Hobbs et al.	D21/784

* cited by examiner

Primary Examiner—Prabhakar Deshmukh

(74) *Attorney, Agent, or Firm*—Sheppard, Mullin, Richter & Hampton LLP

(57) **CLAIM**

The ornamental design for a pool table, as shown and described.

DESCRIPTION

FIG. 1 is a front perspective view of a pool table in accordance with our new design.

FIG. 2 is a front elevational view of the pool table of FIG. 1.

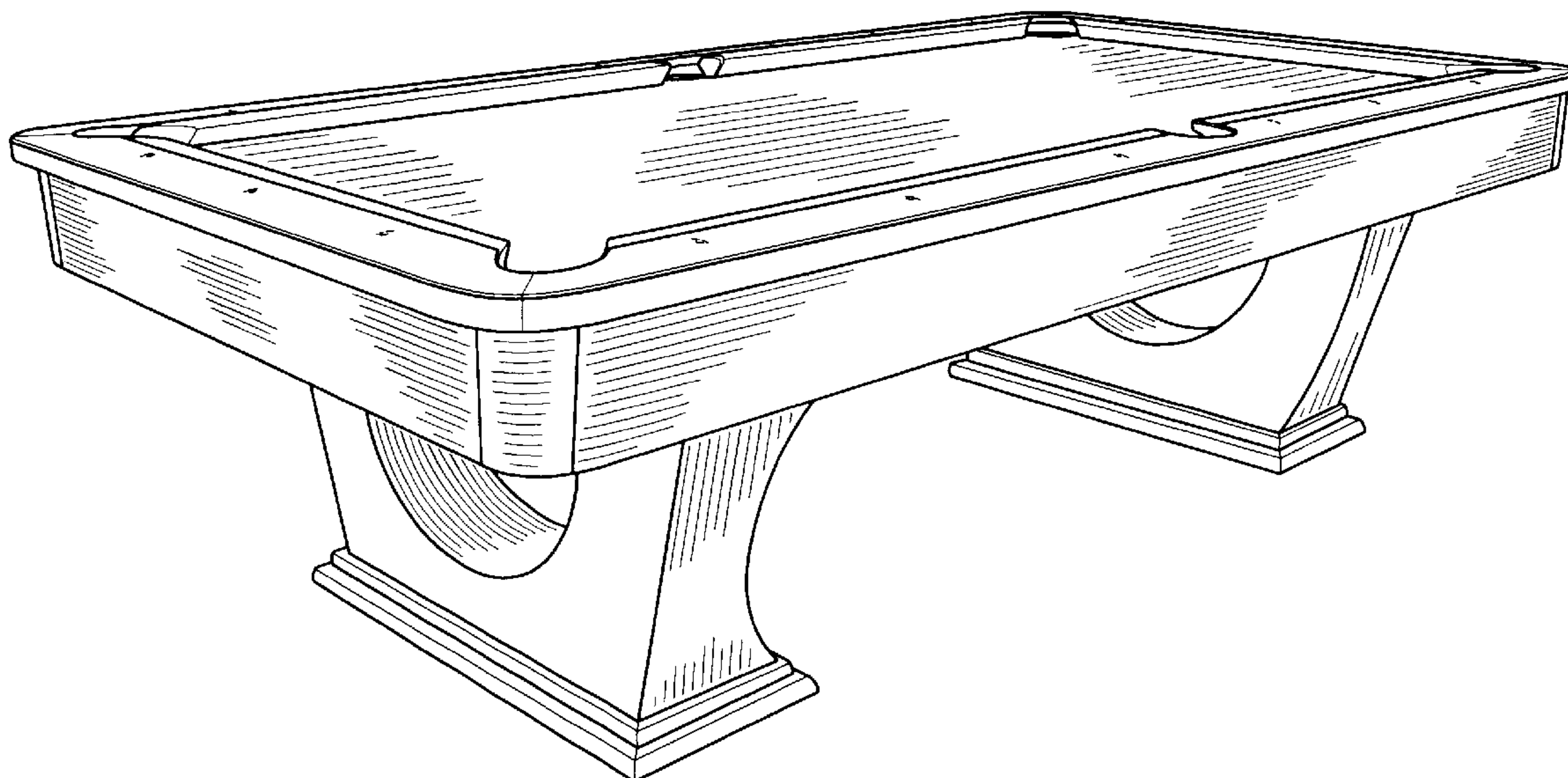
FIG. 3 is a side elevational view of the pool table of FIG. 1.

FIG. 4 is a top plan view of the pool table of FIG. 1; and,

FIG. 5 is a bottom plan view of the pool table of FIG. 1.

The broken lines are for illustrative purposes only and form no part of the claimed design.

1 Claim, 4 Drawing Sheets



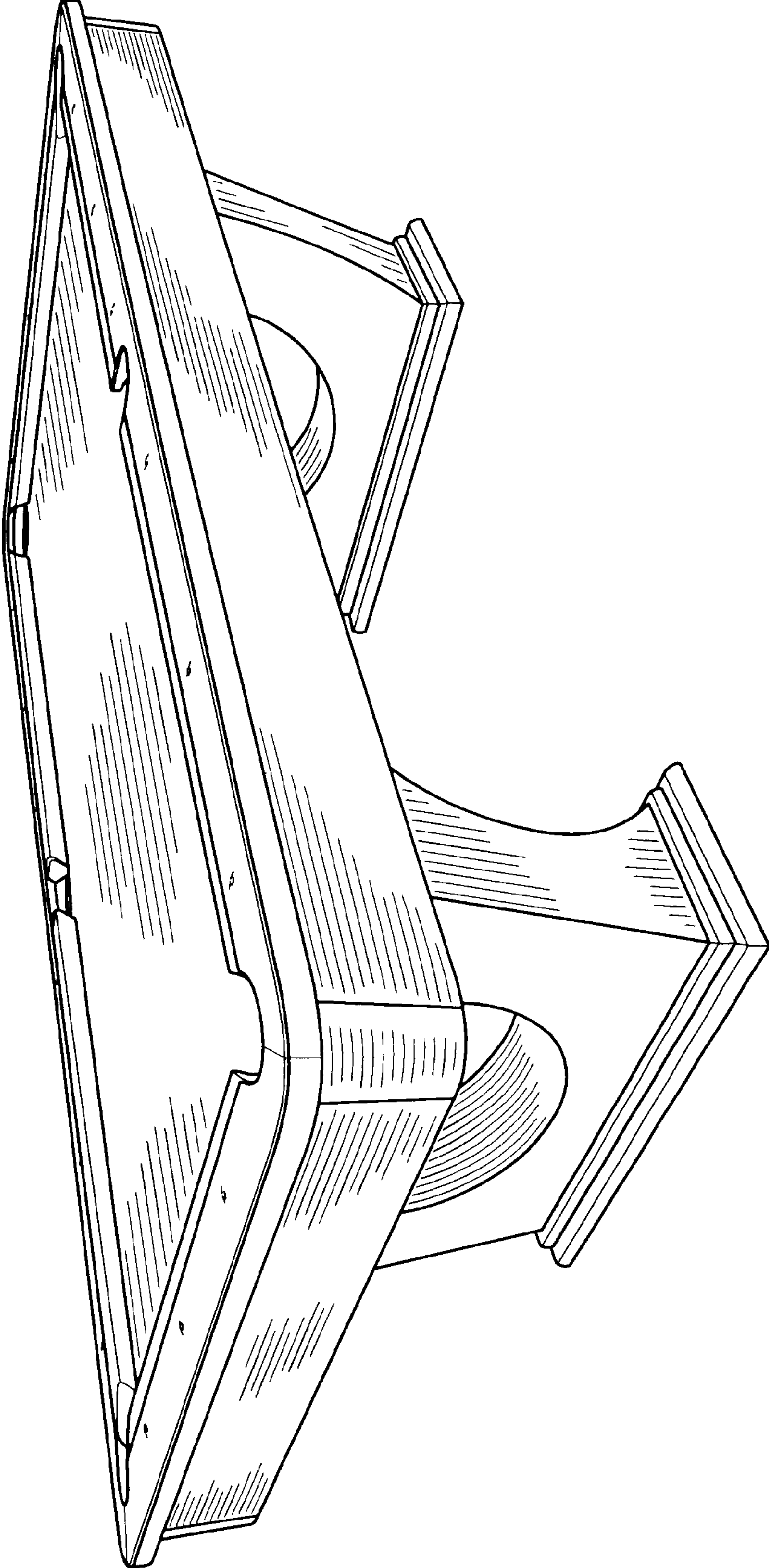


FIG. 1

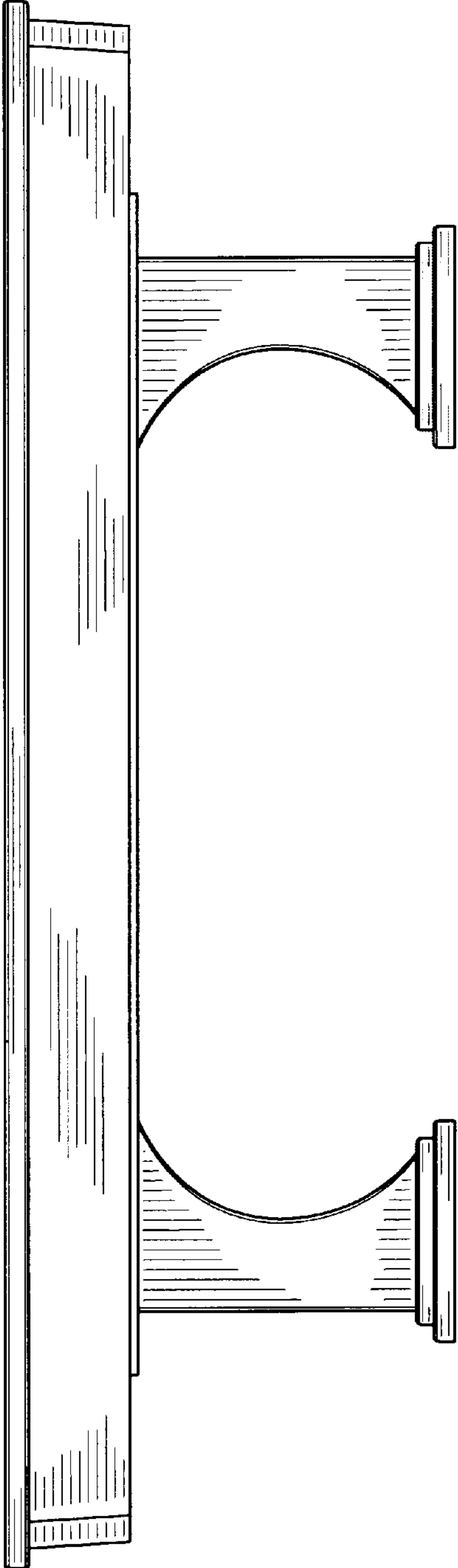


FIG. 2

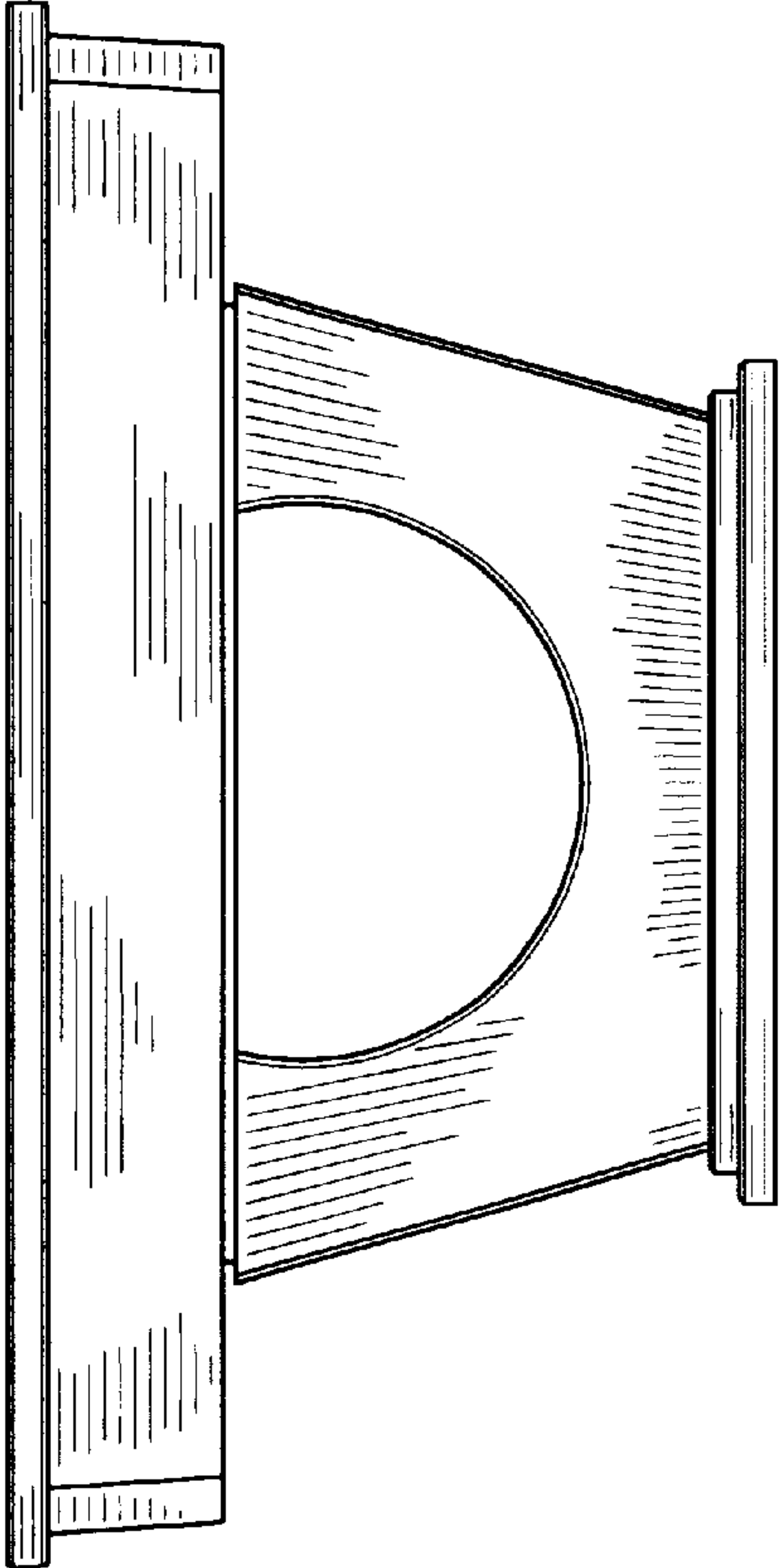


FIG. 3

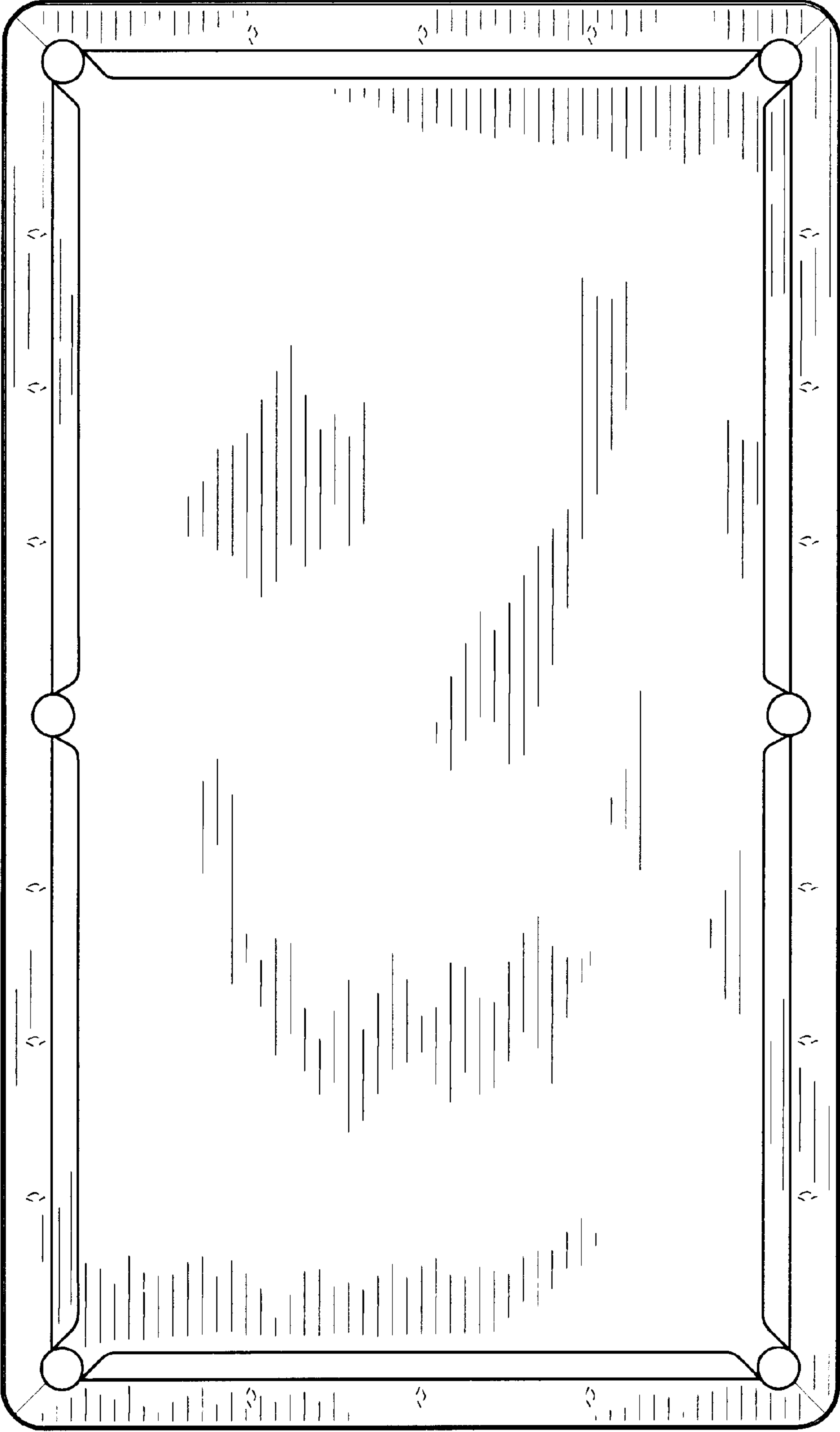


FIG. 4

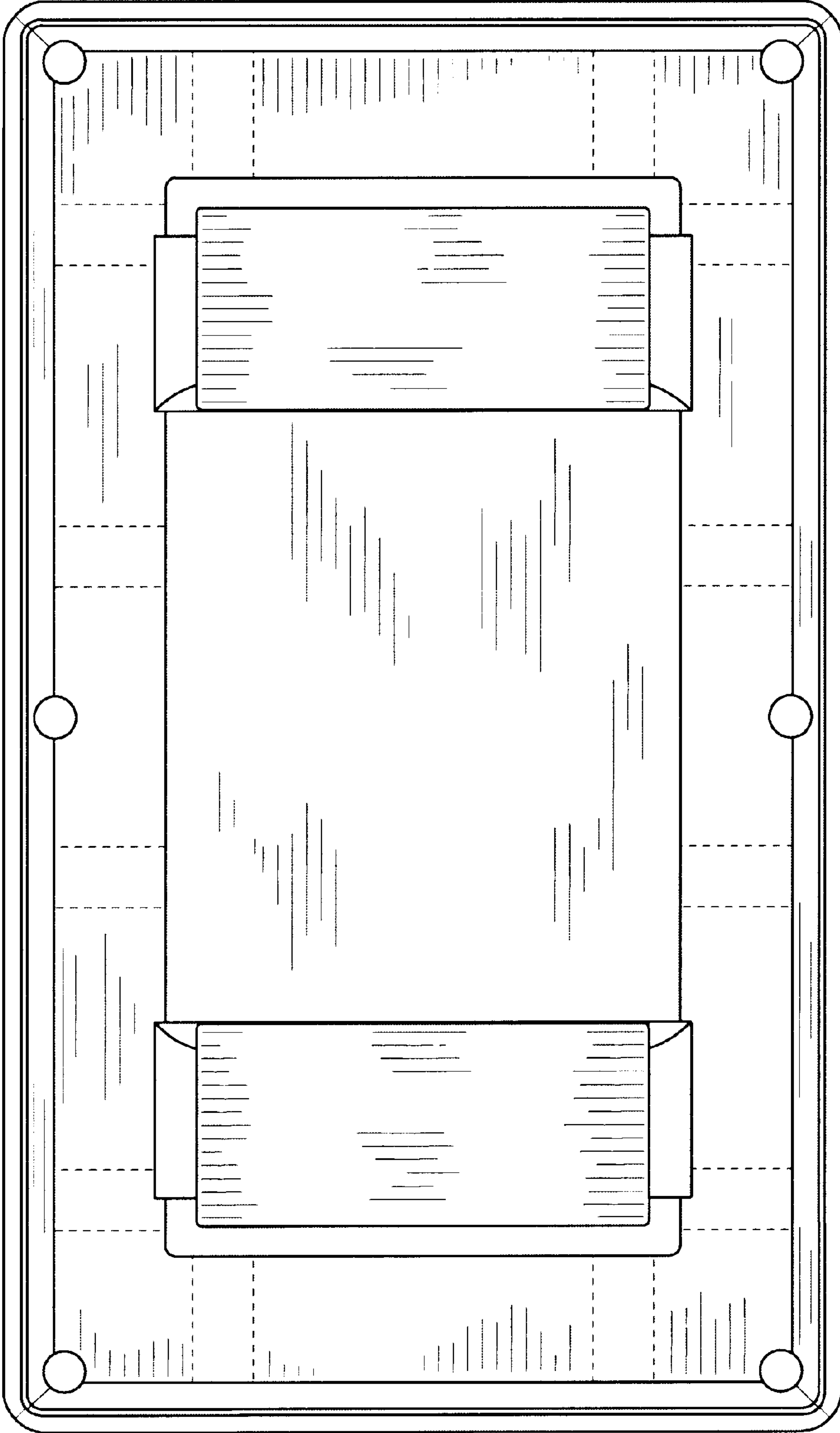


FIG. 5