



US00D515646S

(12) **United States Design Patent**
Perry

(10) **Patent No.:** **US D515,646 S**

(45) **Date of Patent:** **** Feb. 21, 2006**

(54) **GOLF PUTTER HEAD**

D456,472 S * 4/2002 Yerelien D21/736

(76) **Inventor:** **Dale Perry**, 15325 Live Oak Springs
Canyon Road, Santa Clarita, CA (US)
91387

* cited by examiner

Primary Examiner—Mitchell Siegel

(74) *Attorney, Agent, or Firm*—James E. Brunton, Esq.

(**) **Term:** **14 Years**

(57) **CLAIM**

(21) **Appl. No.:** **29/222,612**

The ornamental design for a golf putter head, as shown and described.

(22) **Filed:** **Feb. 1, 2005**

DESCRIPTION

(51) **LOC (8) Cl.** **21-02**

(52) **U.S. Cl.** **D21/742**

(58) **Field of Classification Search** D21/736–746;
473/324–331, 340, 341, 251–256

See application file for complete search history.

FIG. 1 is a generally perspective view of a golf putter head showing my new design;
FIG. 2 is a front view thereof;
FIG. 3 is a rear view thereof;
FIG. 4 is a side view thereof;
FIG. 5 is a top plan view thereof; and,
FIG. 6 is a bottom plan thereof.

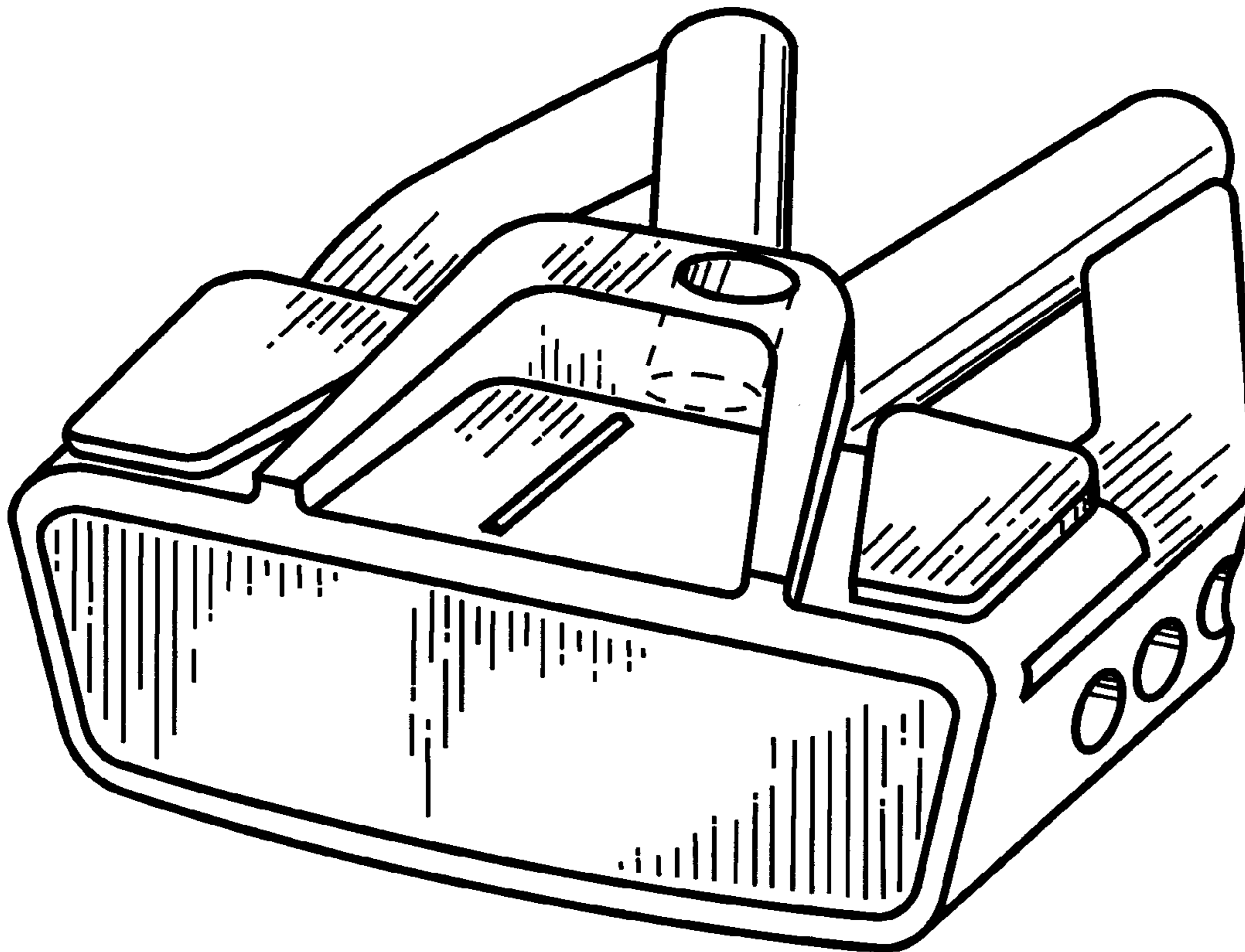
(56) **References Cited**

The broken line showing is for illustrative purposes only and forms no part of the claimed design.

U.S. PATENT DOCUMENTS

- D359,330 S * 6/1995 Channell D21/741
- D399,274 S * 10/1998 Bradford D21/736
- D456,055 S * 4/2002 Yerelien D21/736

1 Claim, 3 Drawing Sheets



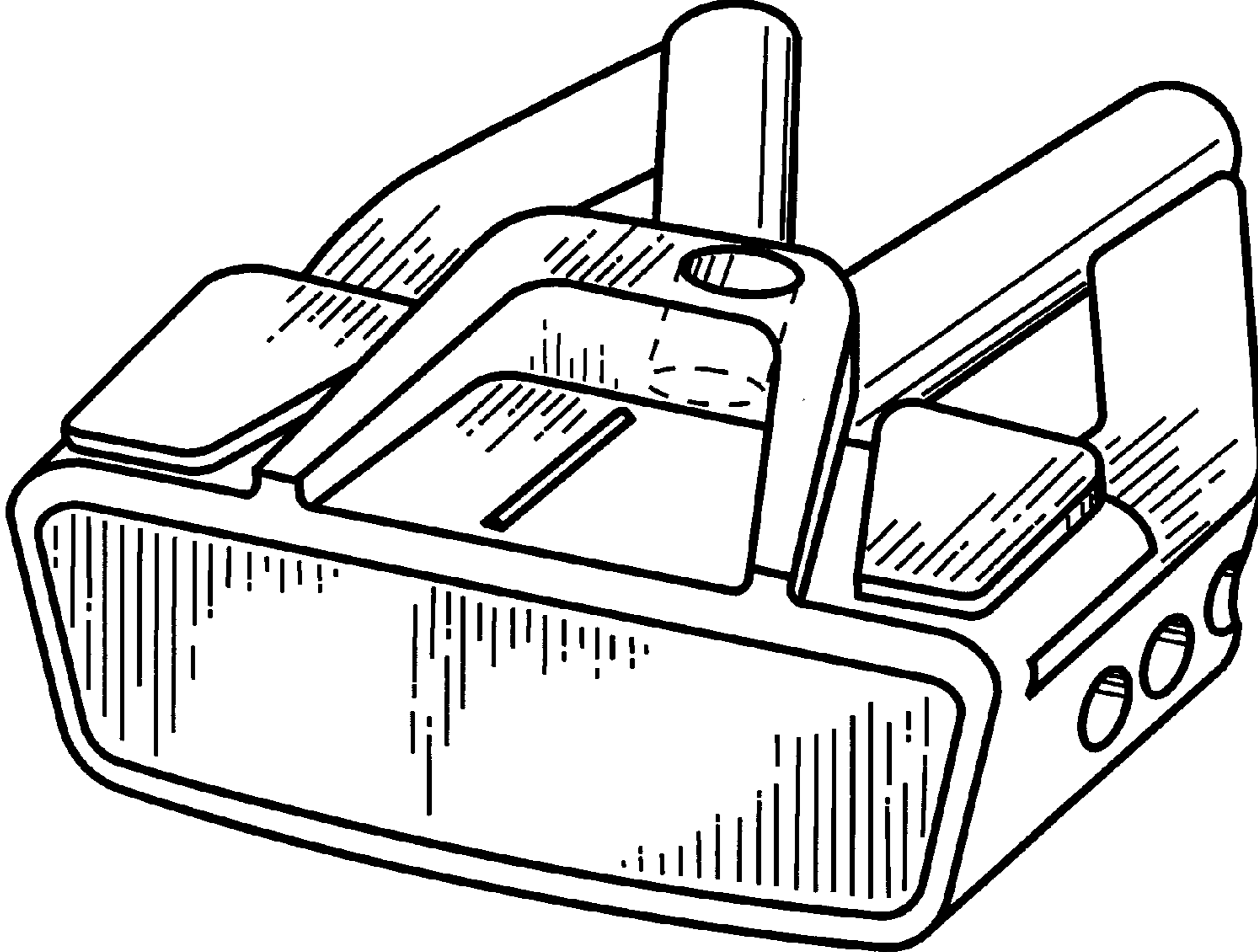


Fig. 1

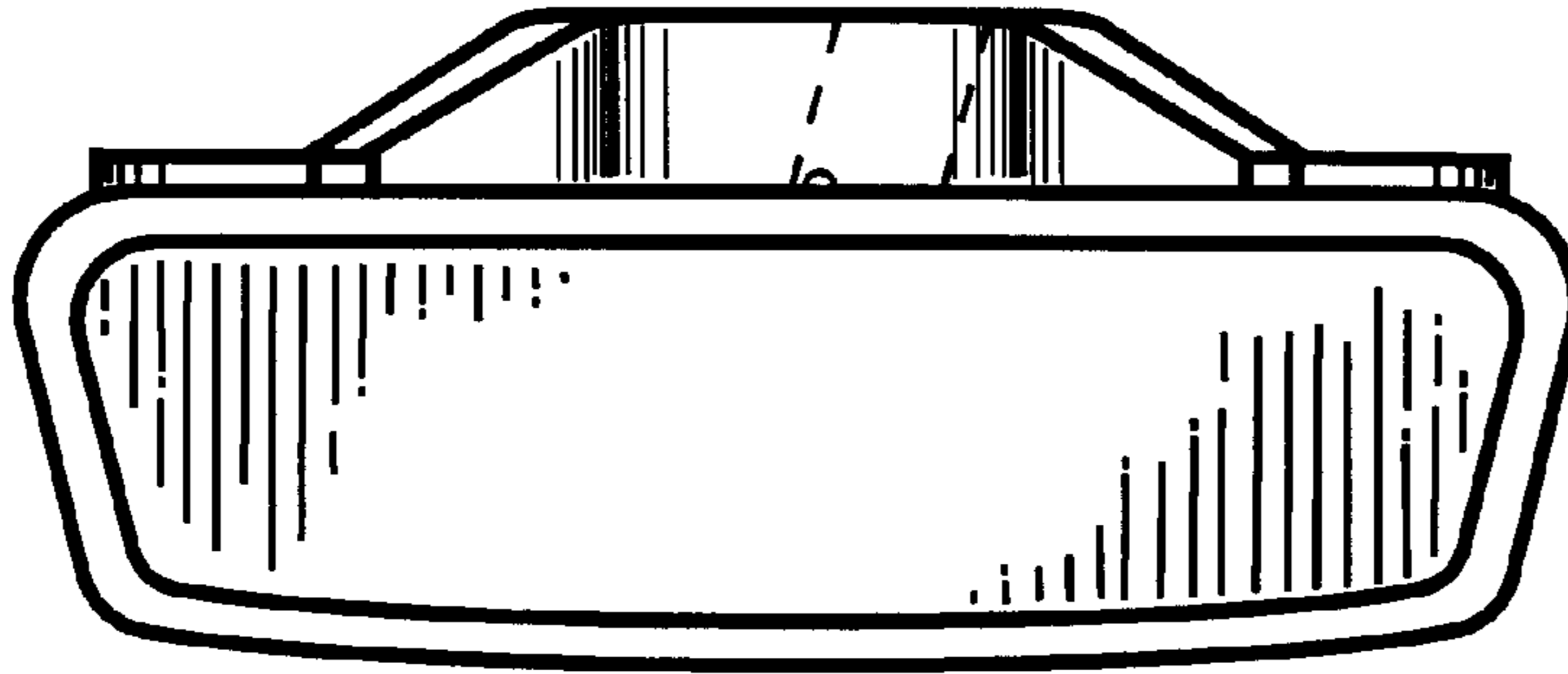


Fig. 2

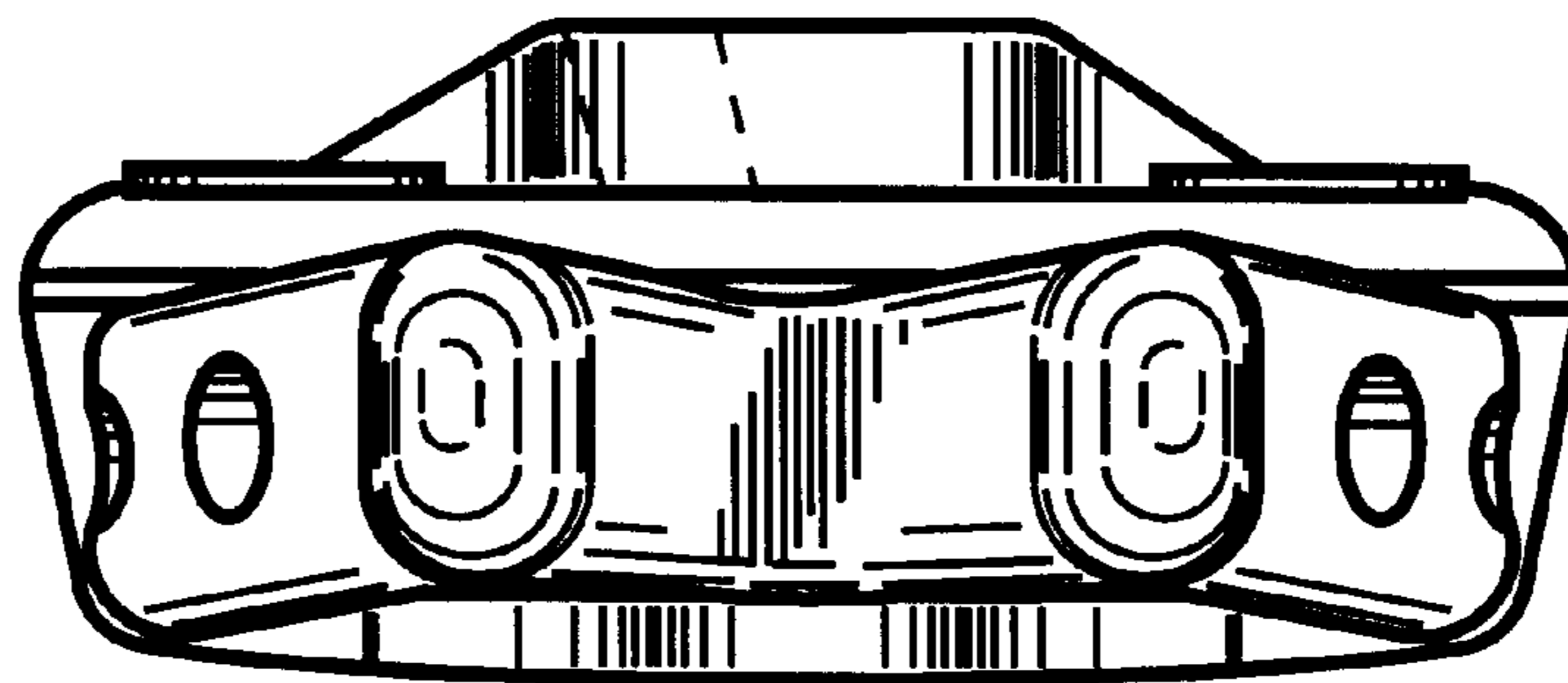


Fig. 3

Fig. 5

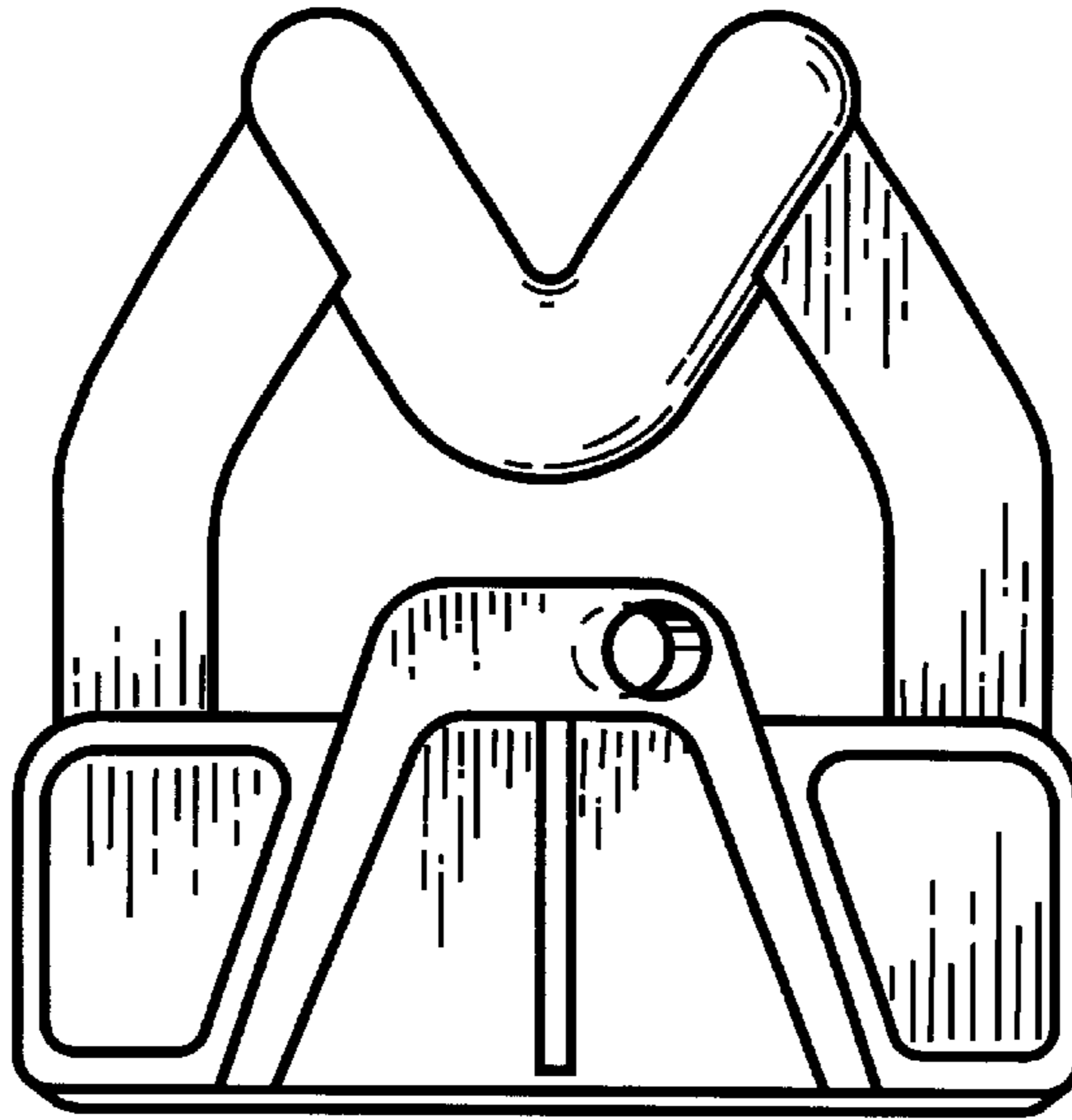


Fig. 4

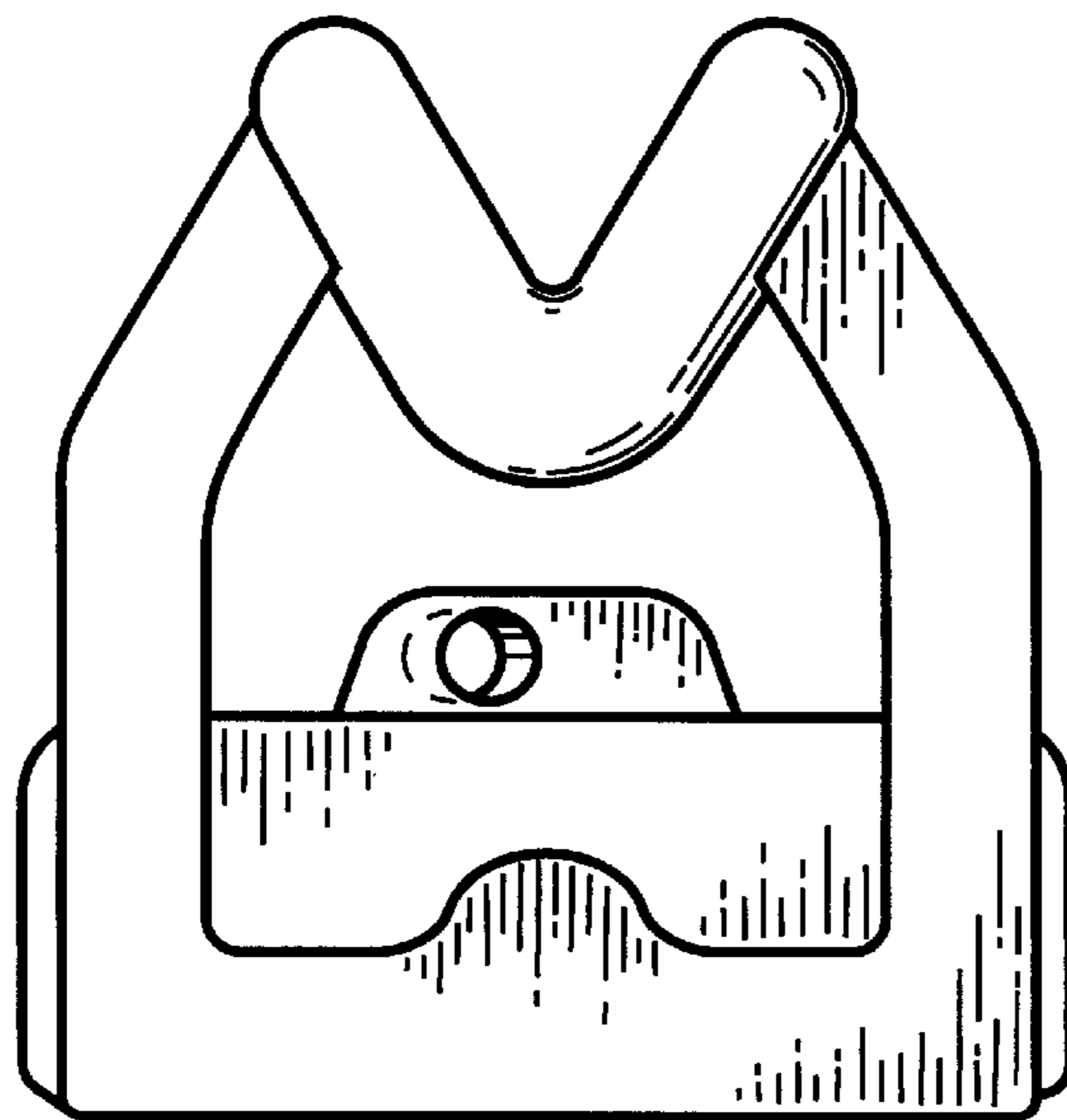
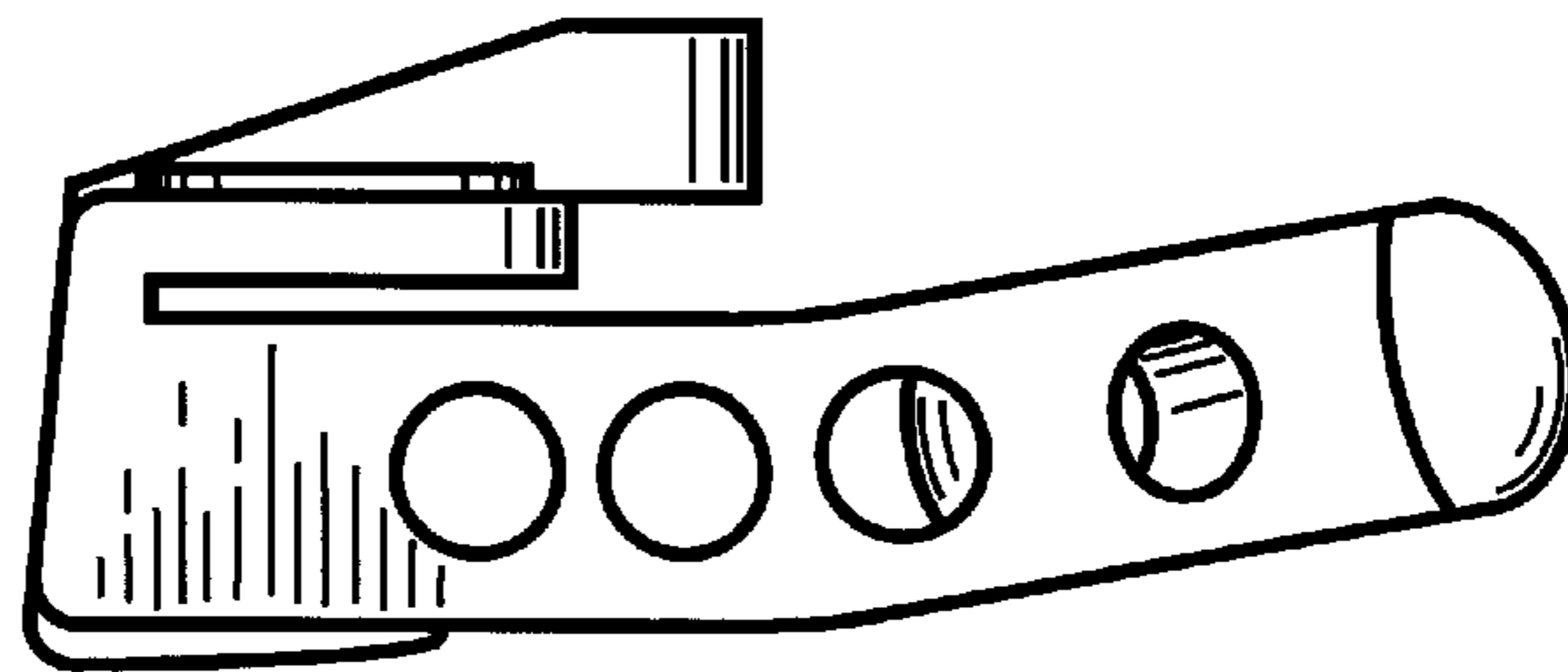


Fig. 6