



US00D515641S

(12) **United States Design Patent**
Morales

(10) **Patent No.:** **US D515,641 S**

(45) **Date of Patent:** **** Feb. 21, 2006**

(54) **TRAINING AID FOR HOCKEY PLAYERS**

Primary Examiner—Mitchell Siegel

(76) **Inventor:** **Joe L. Morales**, 616 N. Stimson, La Puente, CA (US) 91744

(57) **CLAIM**

The ornamental design for a training aid for hockey players, as shown.

(**) **Term:** **14 Years**

DESCRIPTION

(21) **Appl. No.:** **29/211,679**

A sleeve-like cylindrical weight with a hollow center channel, the cylindrical weight being a one piece cast of metal or a hollow unit that holds any weighted material. The unit could be slipped onto the shaft of a conventional hockey stick through the center channel and would rest at the bottom of the shaft near the blade. Consequently, the training aid for hockey players would fulfill the need for making the lower portion of the hockey stick heavier, thus adding resistance to the hockey stick, enabling the player to practice stick-handling, passing, and shooting skills.

(22) **Filed:** **Aug. 20, 2004**

(51) **LOC (8) Cl.** **21-02**

(52) **U.S. Cl.** **D21/727**

(58) **Field of Classification Search** D21/727,
D21/753, 789, 791; 473/256, 228, 560-563

See application file for complete search history.

(56) **References Cited**

U.S. PATENT DOCUMENTS

3,834,697 A	9/1974	McNamara, Jr.	
4,330,121 A *	5/1982	McCafferty	473/228
4,364,560 A	12/1982	Gemmel	
4,588,191 A *	5/1986	Stewart	473/256
D290,150 S *	6/1987	Stewart	D21/759
5,484,146 A	1/1996	Loschiavo	
5,520,386 A	5/1996	Sasko	
5,776,006 A *	7/1998	Gruber	473/256
D438,585 S	3/2001	Pelot	
6,328,666 B1	12/2001	Manory	
D485,325 S *	1/2004	Rohan-Weaver	D21/789

FIG. 1 is a frontal perspective view of my design;

FIG. 2 is a back perspective view;

FIG. 3 is a top perspective view;

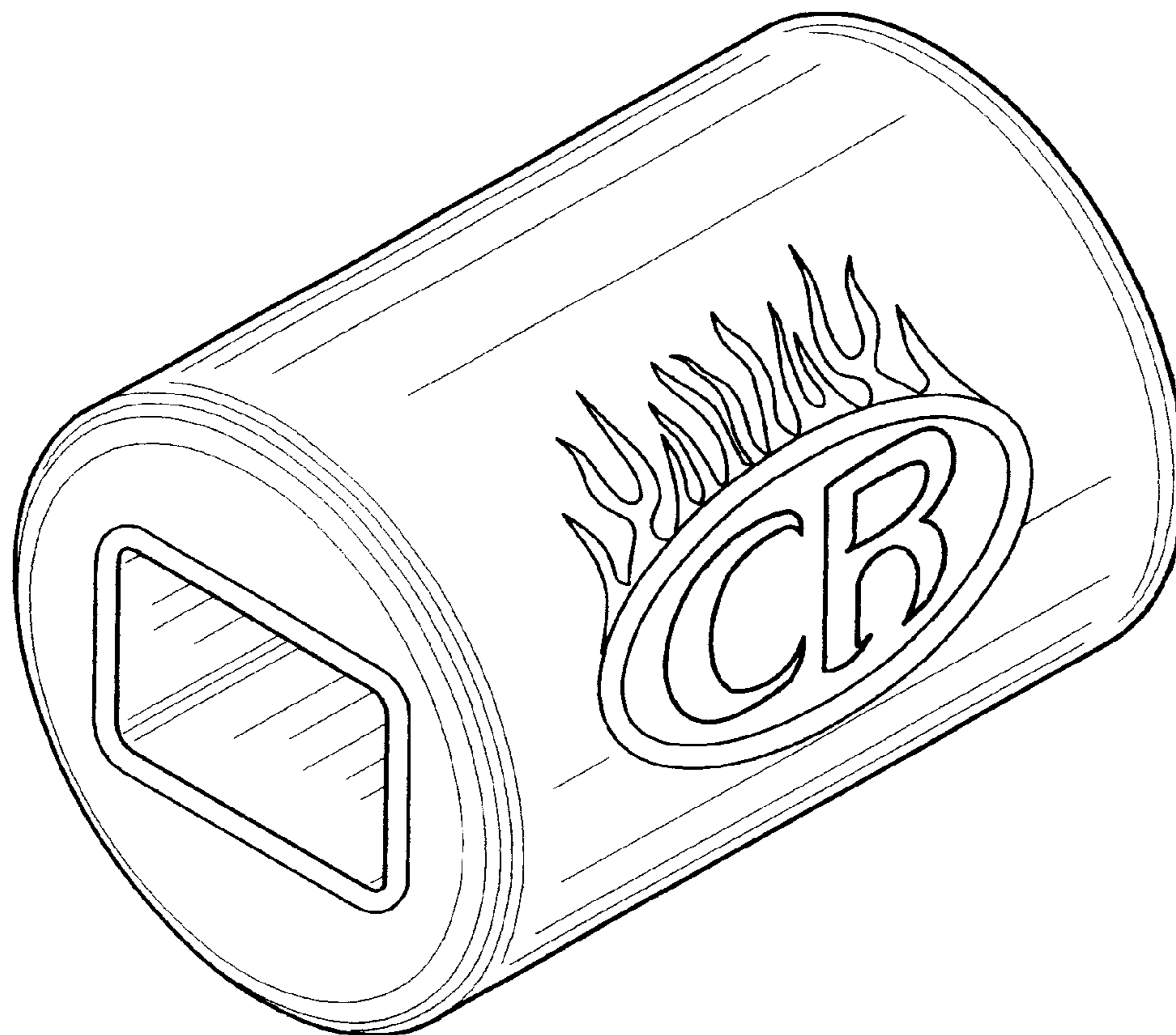
FIG. 4 is a bottom perspective view;

FIG. 5 is an isometric perspective view; and,

FIG. 6 is a reduced isometric perspective view; the broken line showing of the hockey stick is for illustrative purposes only and forms no part of the claimed design.

* cited by examiner

1 Claim, 2 Drawing Sheets



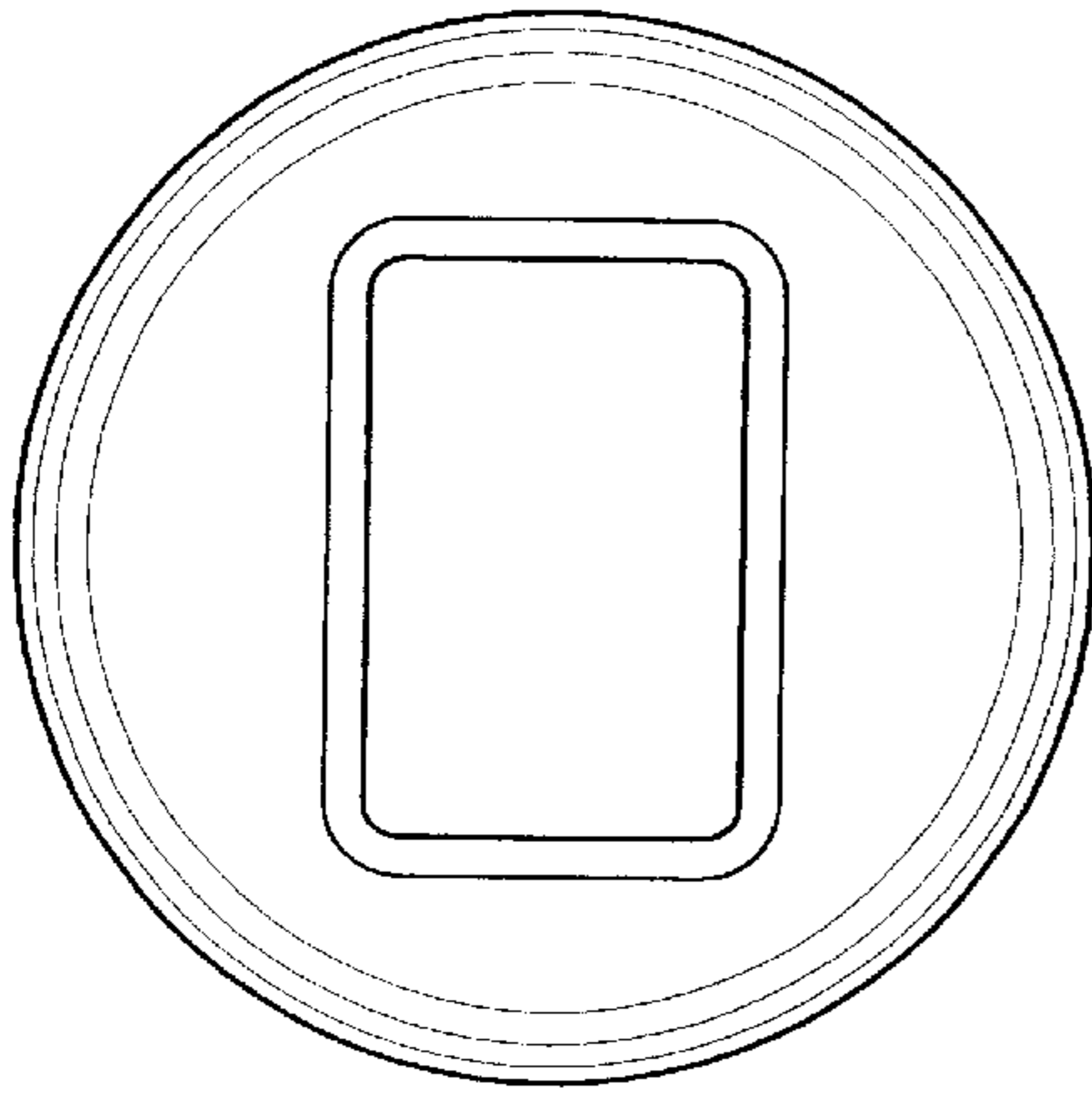


FIG. 3

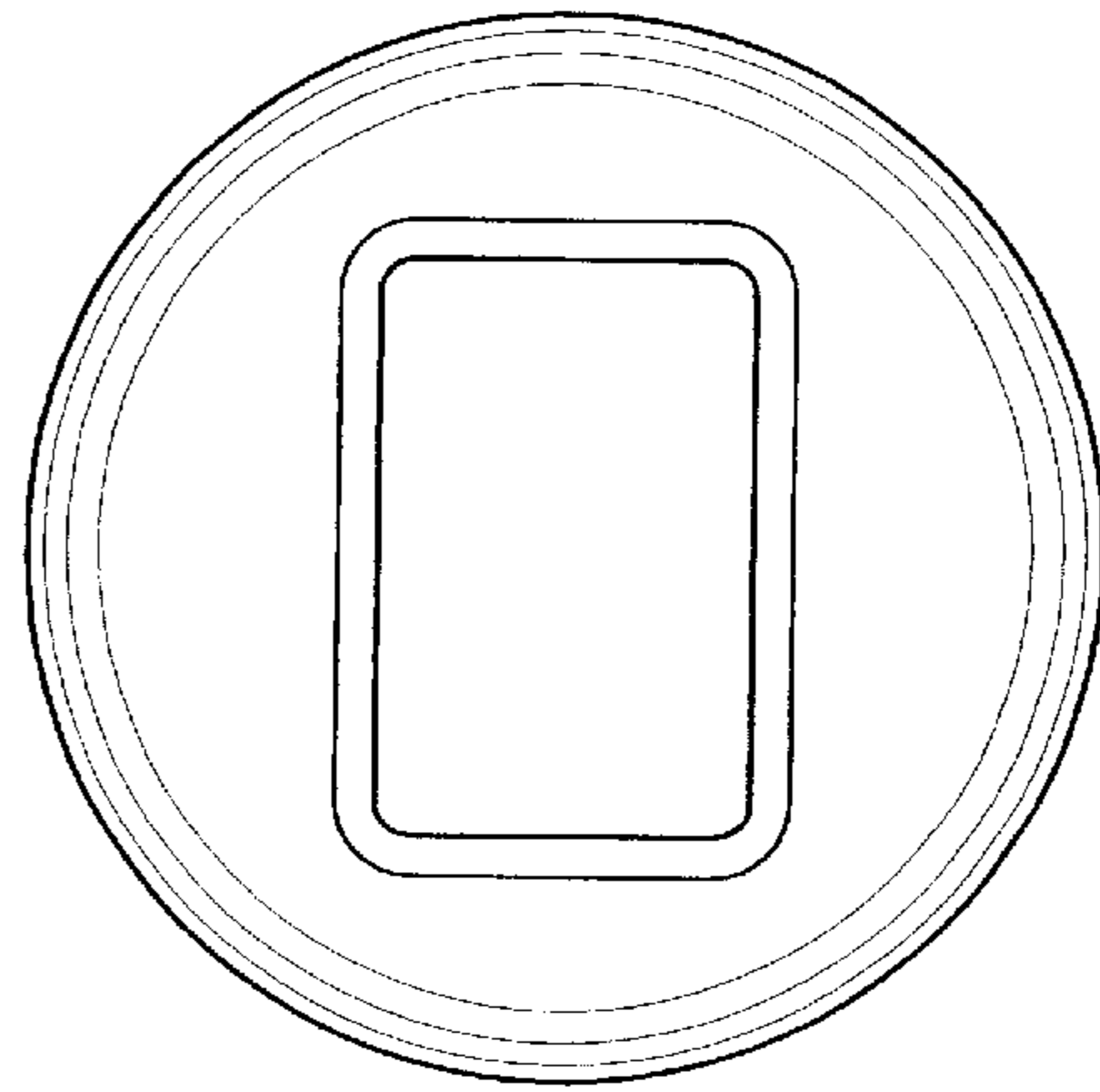


FIG. 4

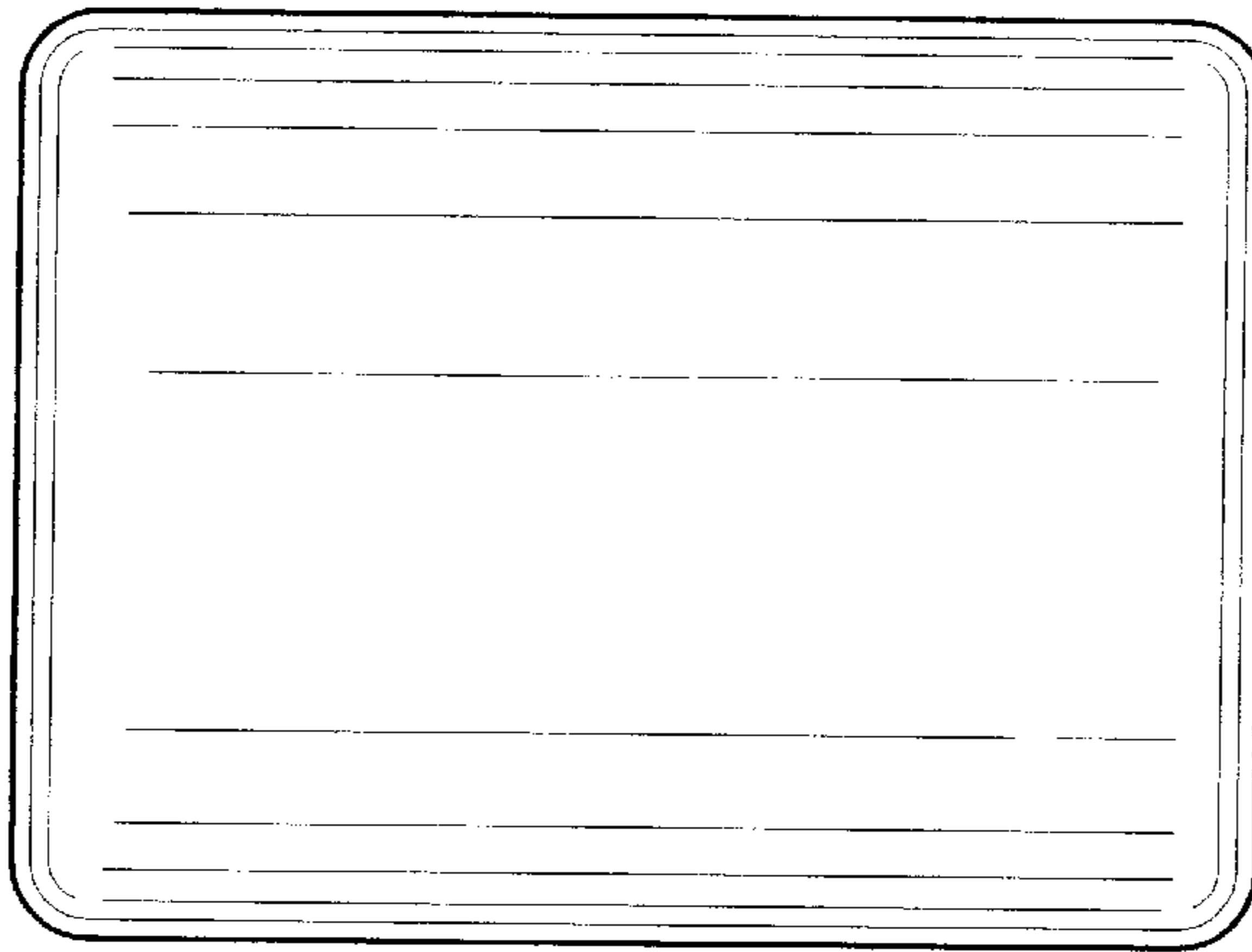


FIG. 2

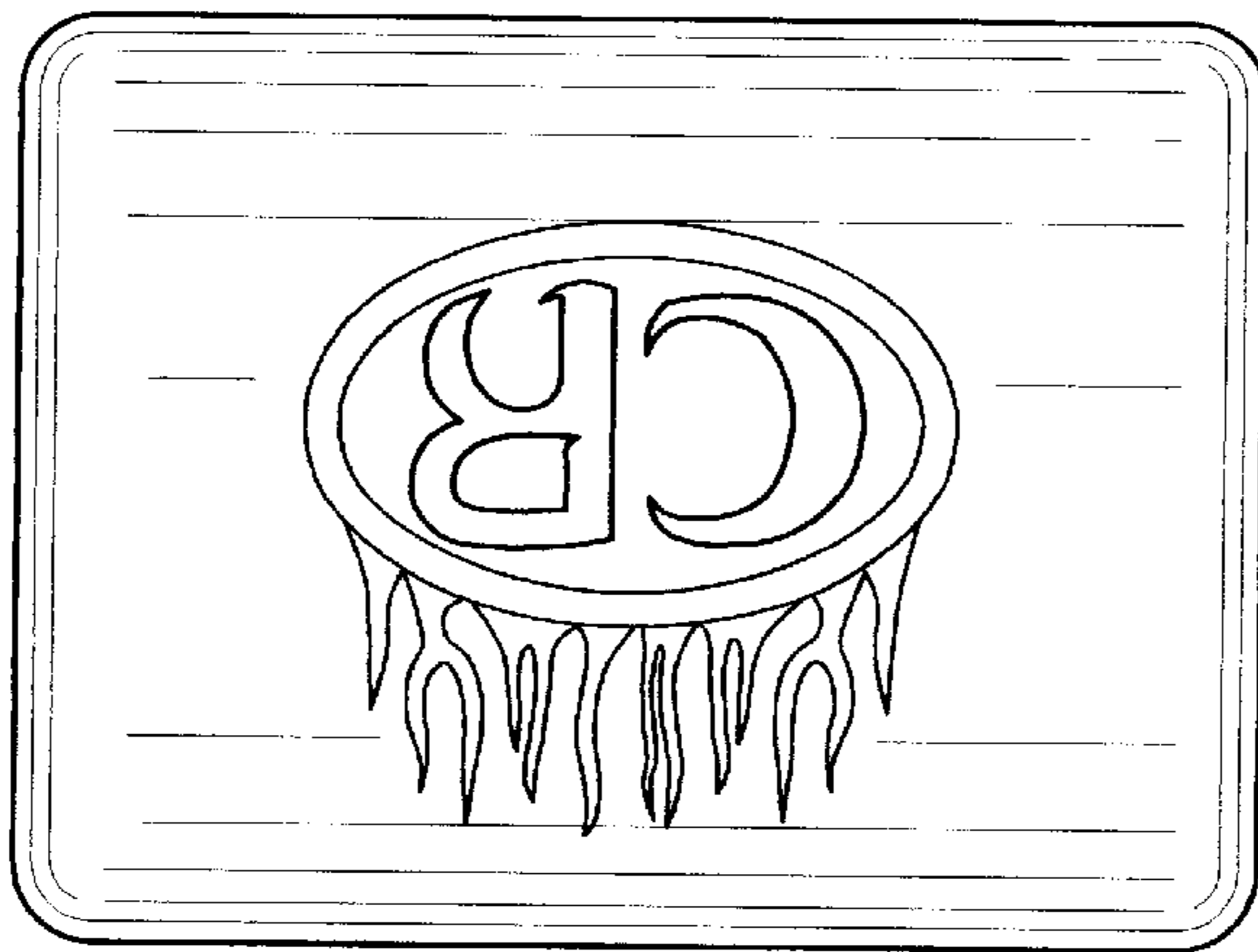


FIG. 1

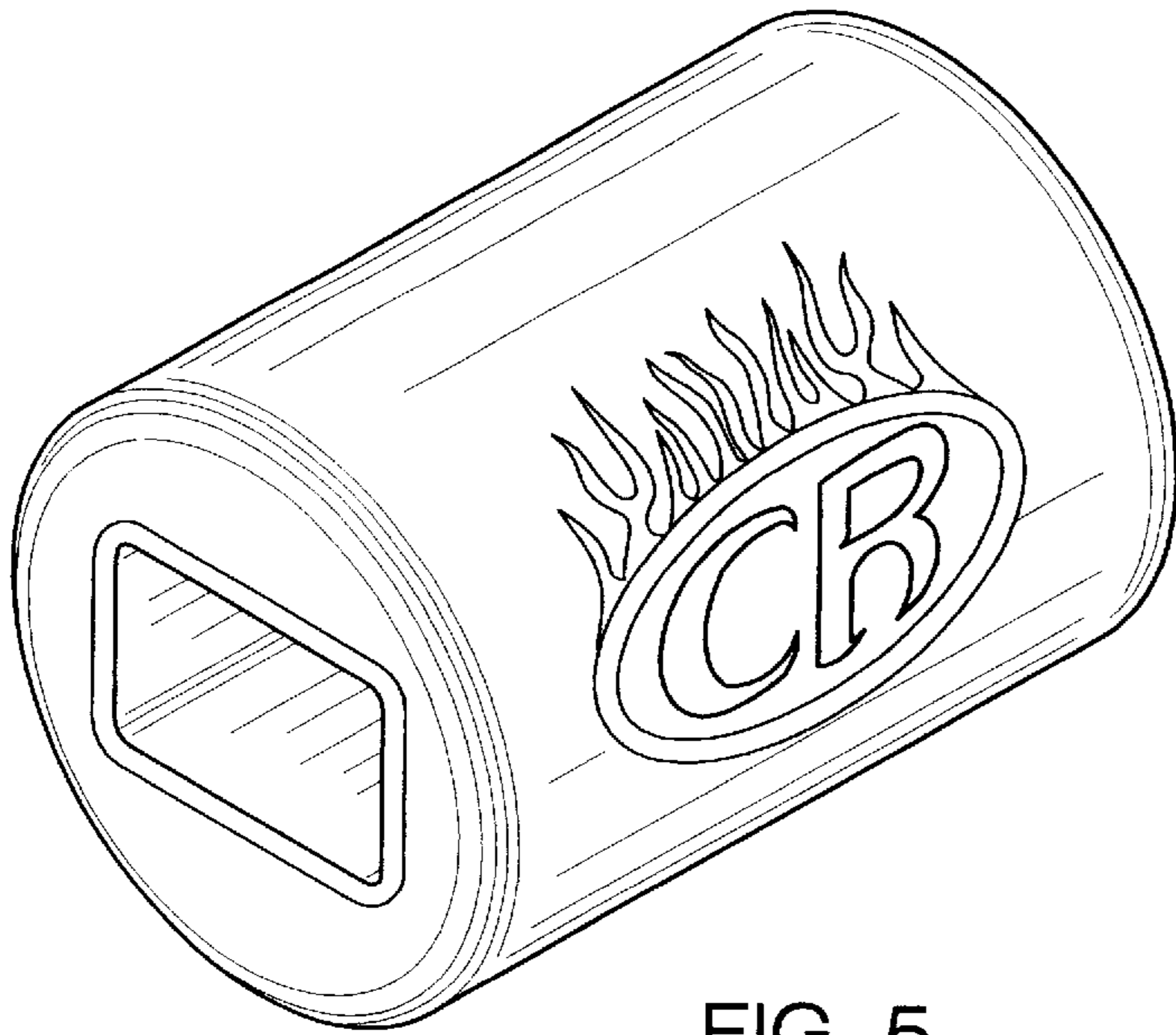


FIG. 5

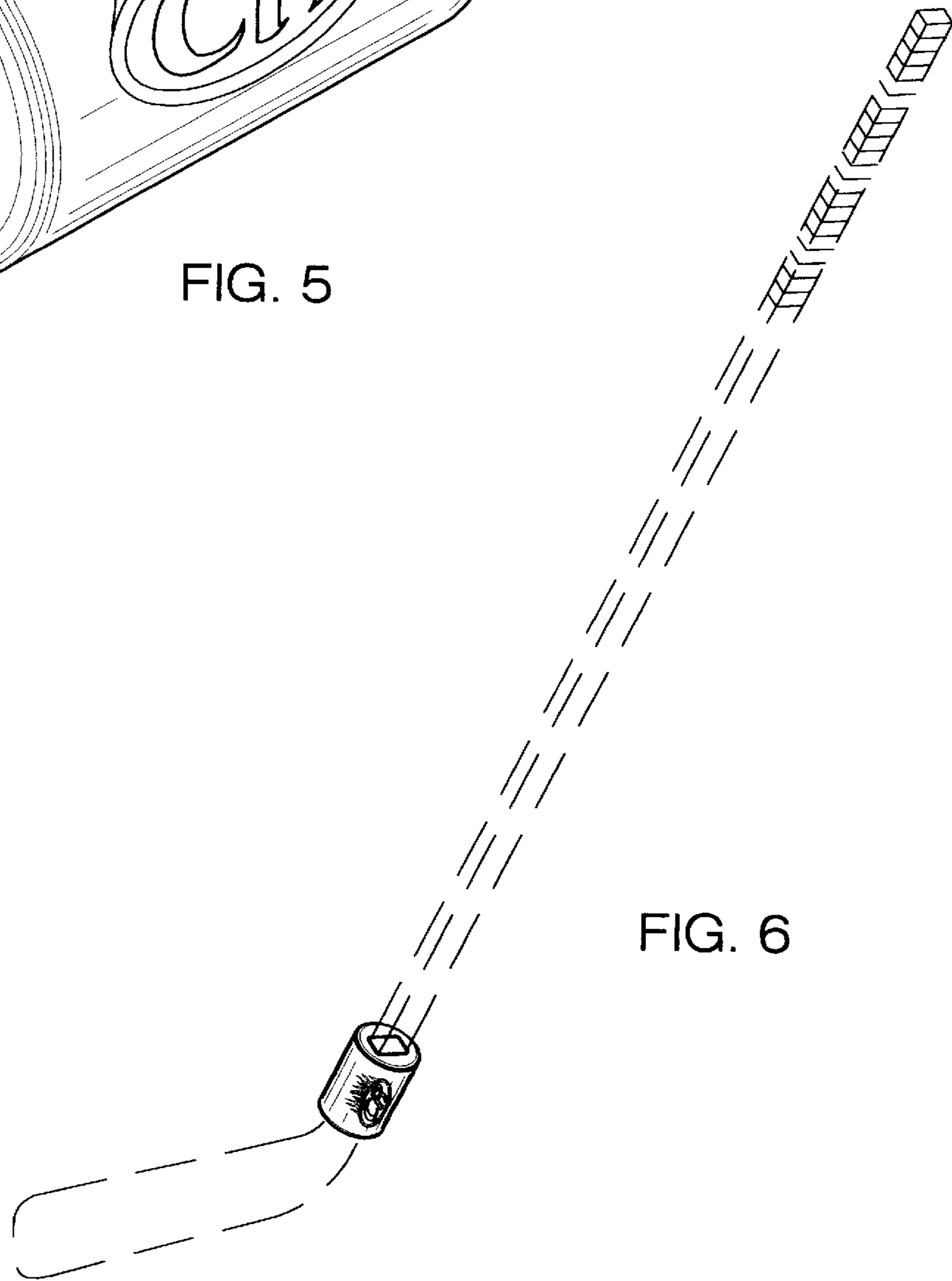


FIG. 6