



US00D515639S

(12) **United States Design Patent**  
**Robinson**

(10) **Patent No.:** **US D515,639 S**

(45) **Date of Patent:** **\*\* Feb. 21, 2006**

(54) **TOY FIGURE**

(76) **Inventor:** **Dyke N. Robinson**, 3710 Havenmoor Pl., Katy, TX (US) 77449

(\*\*) **Term:** **14 Years**

(21) **Appl. No.:** **29/171,233**

(22) **Filed:** **Nov. 18, 2002**

(51) **LOC (8) Cl.** ..... **21-01**

(52) **U.S. Cl.** ..... **D21/578**

(58) **Field of Classification Search** ..... D21/578,  
D21/579-584, 593, 594, 621, 622, 623, 627,  
D21/649; 446/268, 269-274, 289-292, 297-301,  
446/279, 280; D15/199

See application file for complete search history.

D304,962 S \* 12/1989 Watanabe ..... D21/578  
D450,788 S \* 11/2001 Kawasaki ..... D21/578  
D464,382 S \* 10/2002 Hornsby et al. .... D21/578

**OTHER PUBLICATIONS**

Chiasso Catalog, Summer, 2001, p. 30, "Intellibot" robot.\*  
Hong Kong Toys, 1987, p. 98, Robots.\*  
FAO Schwarz, Holiday, 2001, p. 65, "The Bot-ster" robot.\*  
FAO Schwarz, Holiday, 2001, p. 67, item "F", robot.\*

\* cited by examiner

*Primary Examiner*—Lucy Lieberman

(74) *Attorney, Agent, or Firm*—Russell J. Egan

(57) **CLAIM**

I claim the ornamental design for a toy figure, as shown and described.

(56) **References Cited**

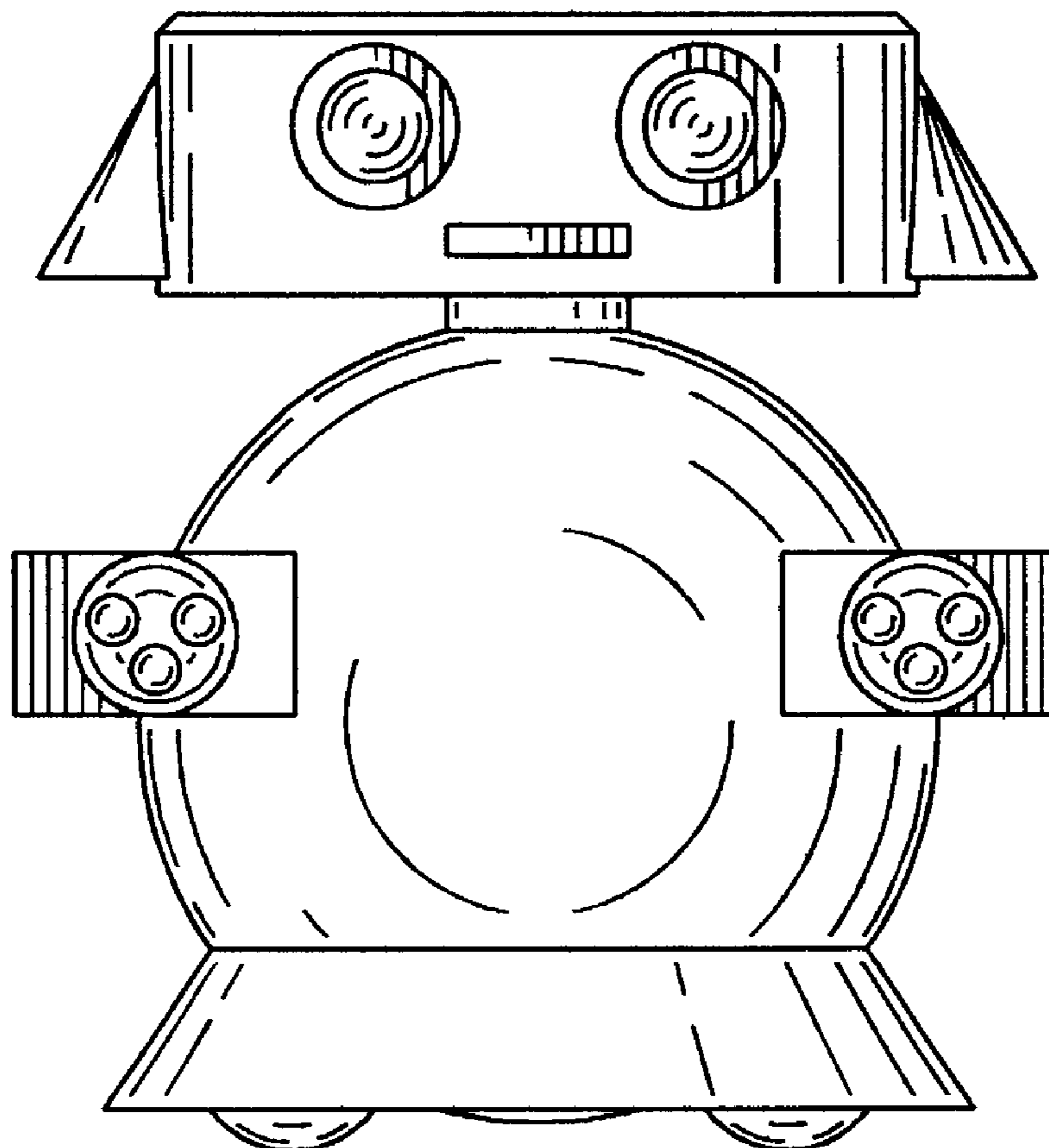
**U.S. PATENT DOCUMENTS**

3,579,901 A \* 5/1971 Perhacs, Jr. .... 446/289  
D290,032 S \* 5/1987 Horiuchi ..... D21/578  
D290,146 S \* 6/1987 Horiuchi ..... D21/578  
4,673,371 A \* 6/1987 Furukawa ..... 446/175  
D293,345 S \* 12/1987 Takizawa ..... D21/578  
4,752,272 A \* 6/1988 Karasawa ..... 446/289

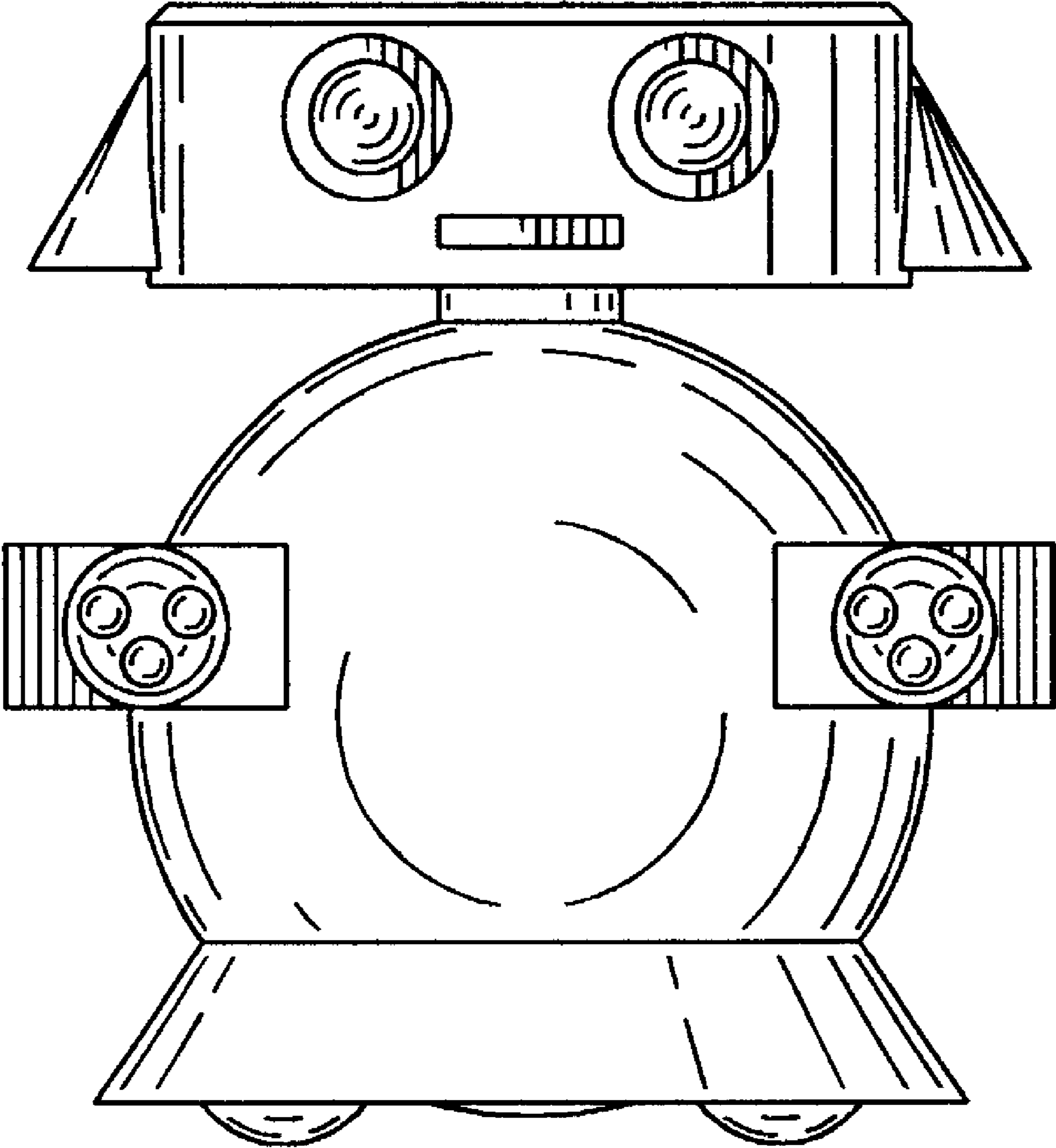
**DESCRIPTION**

FIG. 1 is a front view;  
FIG. 2 is a rear view;  
FIG. 3 is a right side view;  
FIG. 4 is a top plan view thereof; and,  
FIG. 5 is a bottom plan view.

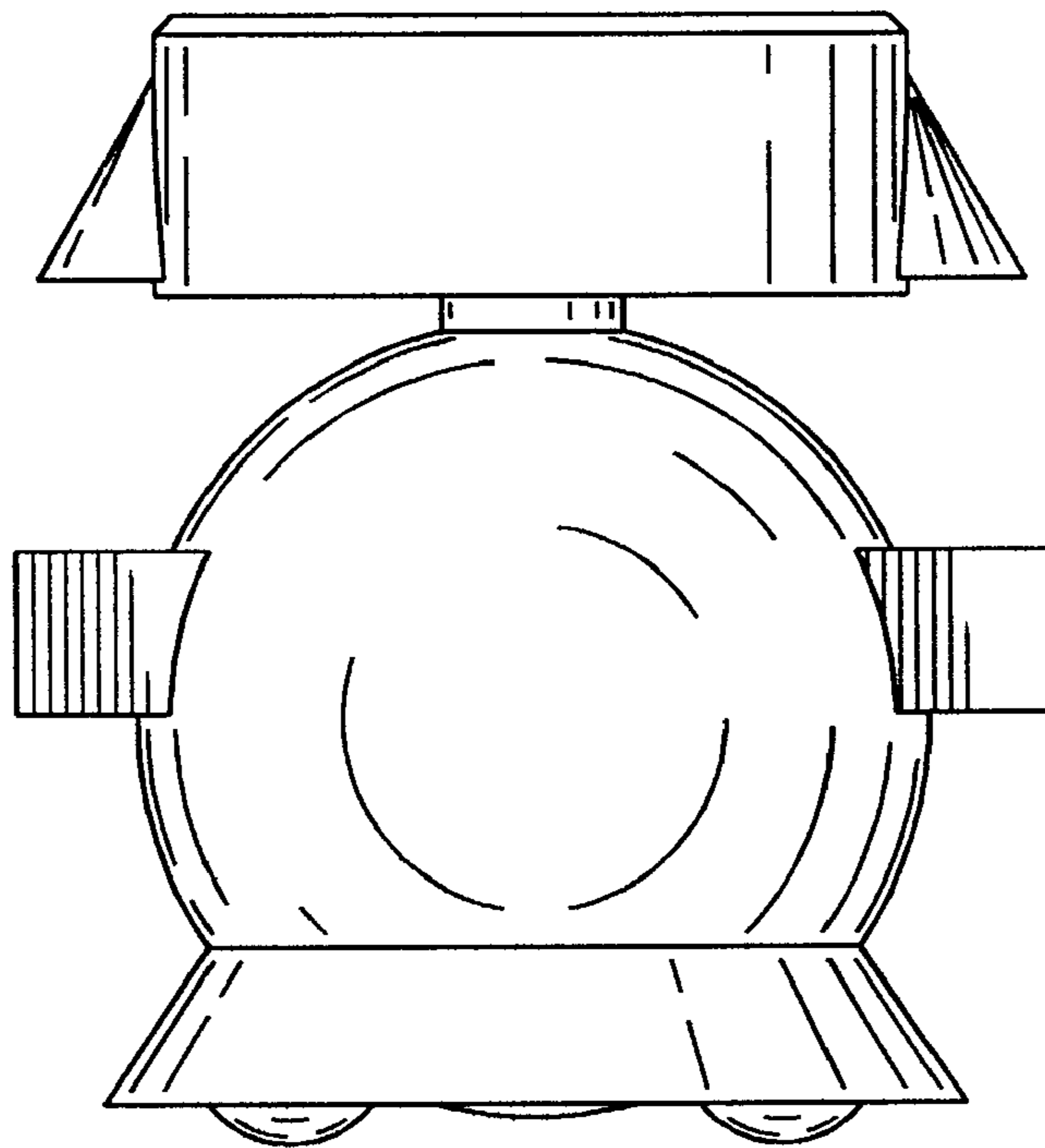
**1 Claim, 3 Drawing Sheets**



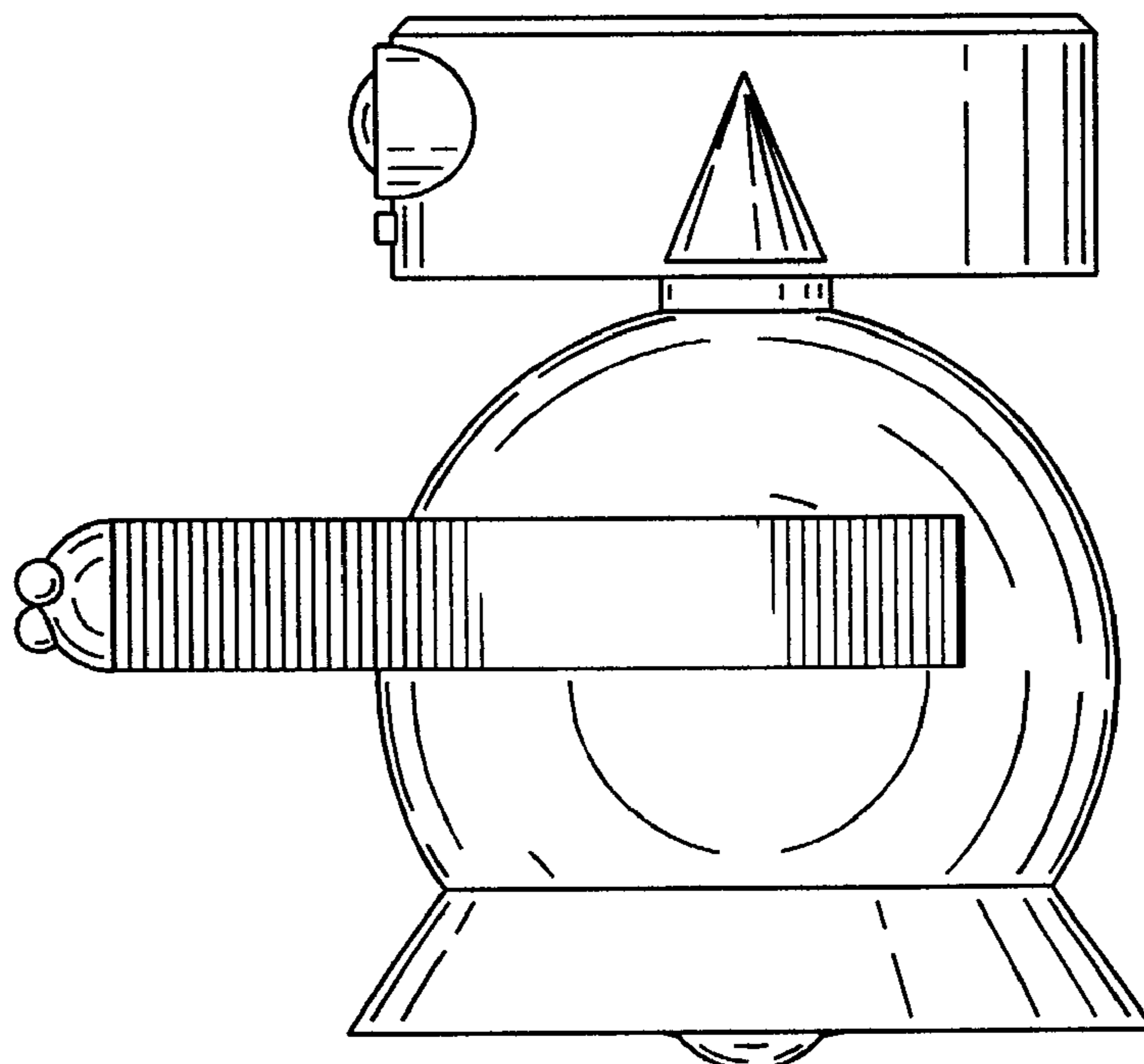
**FIG. 1**



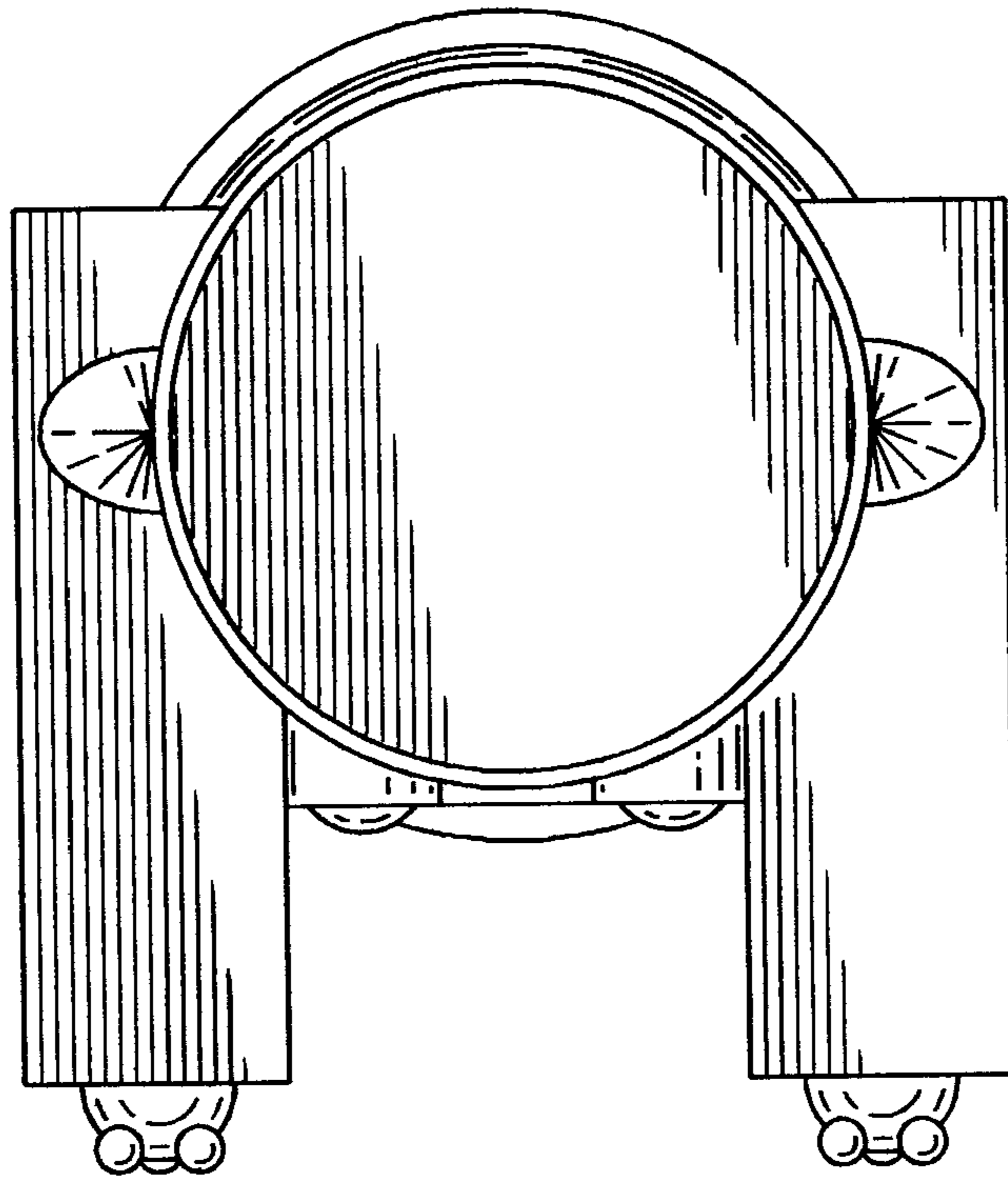
**FIG. 2**



**FIG. 3**



**FIG. 4**



**FIG. 5**

