



US00D515638S

(12) **United States Design Patent**  
**Pflaumer et al.**

(10) **Patent No.:** **US D515,638 S**  
(45) **Date of Patent:** **\*\* Feb. 21, 2006**

(54) **TOY WEAPON**

D503,208 S \* 3/2005 Krieger ..... D22/104

(75) Inventors: **Wulf-Heinz Pflaumer**, Arnsberg (DE);  
**Franz Wonisch**, Arnsberg (DE)

\* cited by examiner

(73) Assignee: **UMAREX Sportwaffen GmbH & Co.**  
**Kommanditgesellschaft**, Arnsberg (DE)

*Primary Examiner*—Holly Baynham  
*Assistant Examiner*—Cynthia M. Chin  
(74) *Attorney, Agent, or Firm*—Hoffman, Wasson & Gitler,  
P.C.

(\*\*) Term: **14 Years**

(57) **CLAIM**

(21) Appl. No.: **29/208,615**

The ornamental design for a toy weapon, as shown and described.

(22) Filed: **Jul. 1, 2004**

**DESCRIPTION**

(30) **Foreign Application Priority Data**

Jun. 3, 2004 (EM) ..... 193008

(51) **LOC (8) Cl.** ..... **21-01**

(52) **U.S. Cl.** ..... **D21/574**

(58) **Field of Classification Search** ..... D21/567,  
D21/570, 572–575; D22/100, 103, 104, 108,  
D22/109, 115; 124/56, 65, 70–74, 76, 77  
See application file for complete search history.

FIG. 1 is a left side view of a toy weapon embodying the present invention;  
FIG. 2 is a right side view of a toy weapon embodying the present invention;  
FIG. 3 is a top view of a toy weapon embodying the present invention;  
FIG. 4 is a bottom view of a toy weapon embodying the present invention;  
FIG. 5 is a front view of a toy weapon embodying the present invention;  
FIG. 6 is a rear view of a toy weapon embodying the present invention; and,  
FIG. 7 is a perspective view of a toy weapon embodying the present invention.

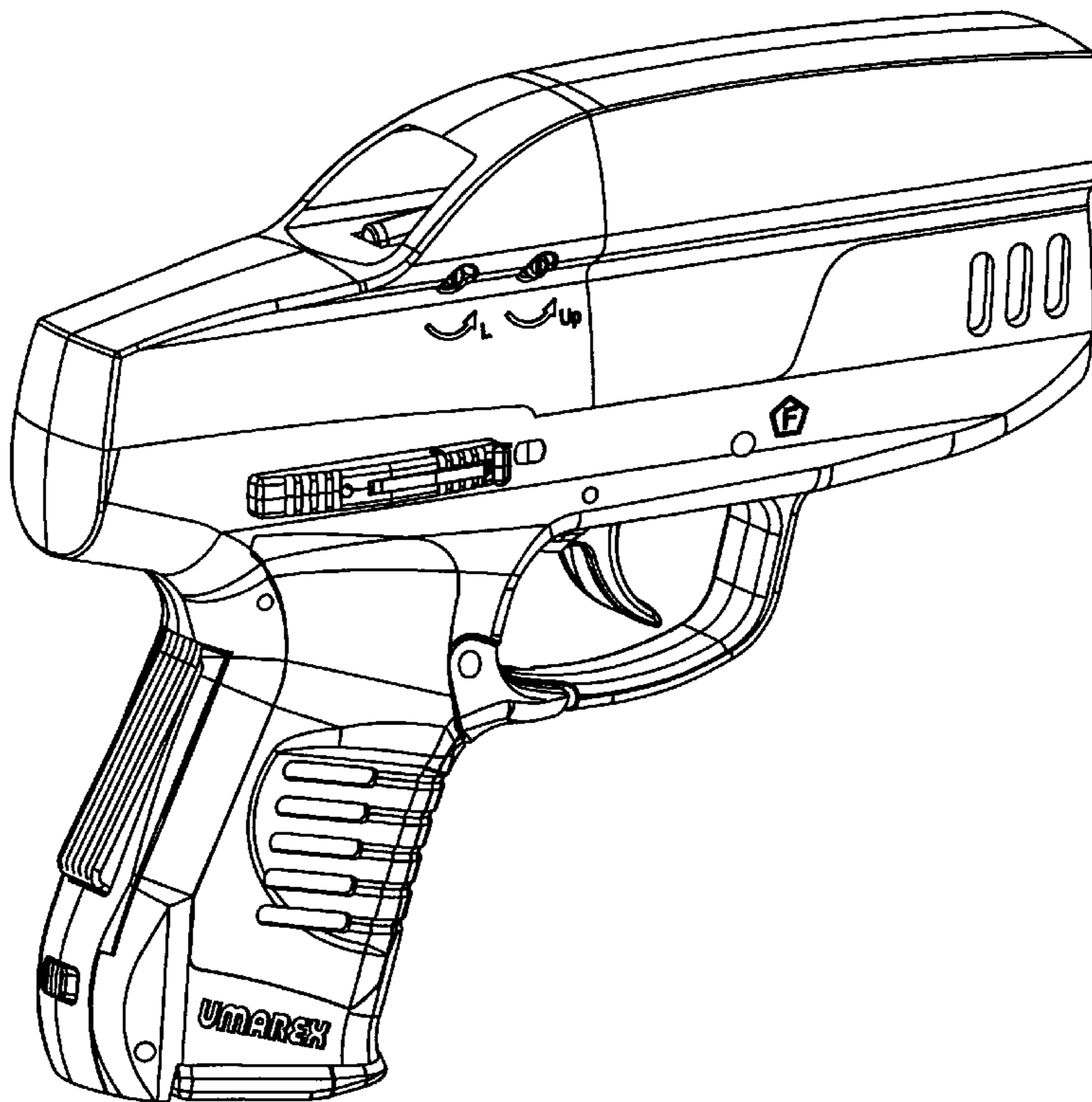
(56) **References Cited**

**U.S. PATENT DOCUMENTS**

3,204,627 A \* 9/1965 Yano ..... 124/49  
D359,098 S \* 6/1995 Stevens ..... D22/104  
D443,903 S \* 6/2001 Wang ..... D21/574  
6,247,995 B1 \* 6/2001 Bryan ..... 446/473  
D458,652 S \* 6/2002 Chan ..... D21/574  
D481,426 S \* 10/2003 Jimenez ..... D21/574

The word UMAREX forming part of the claimed design is a registered trademark of UMAREX Sportwaffen GmbH & Co.

**1 Claim, 7 Drawing Sheets**



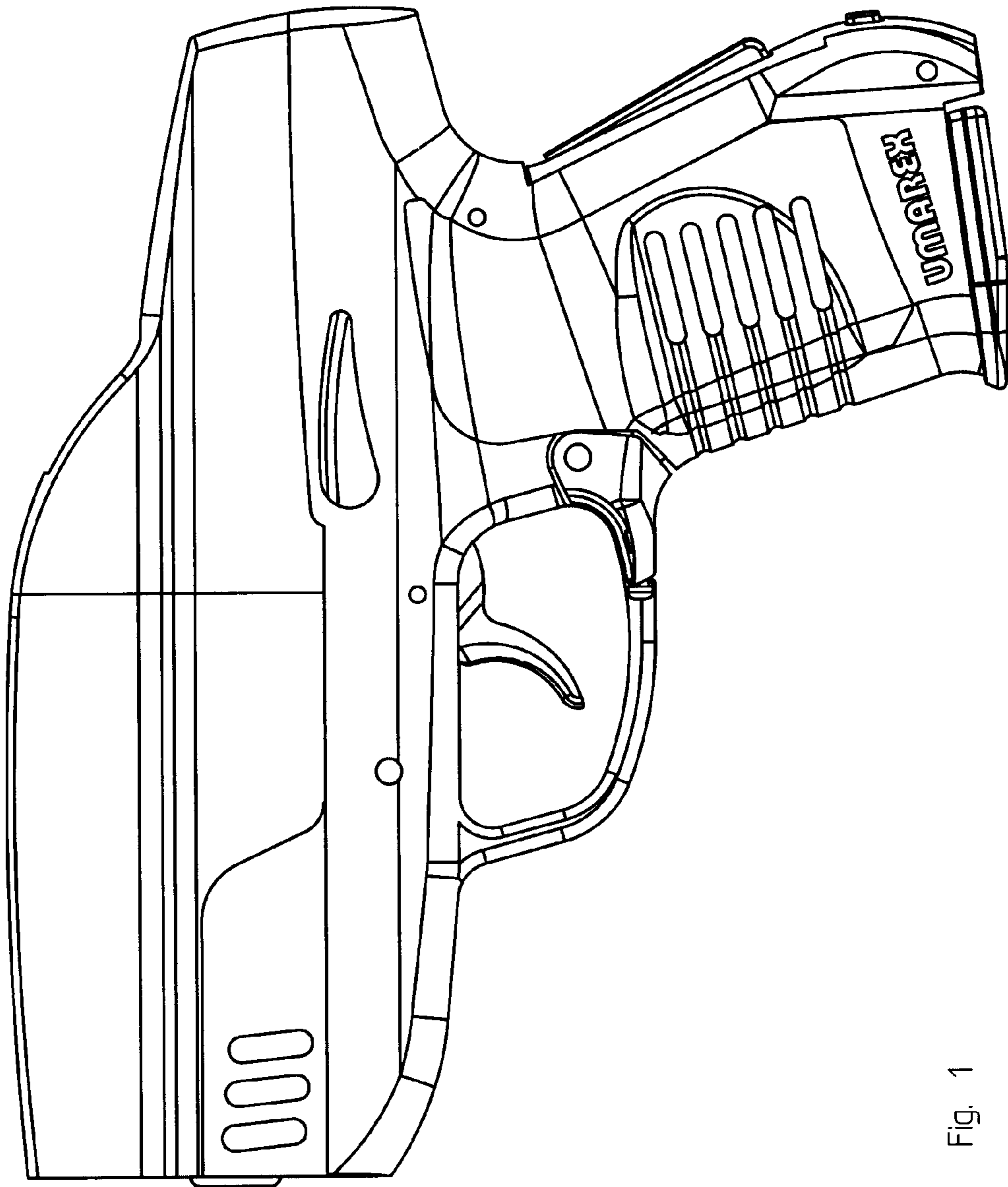


Fig. 1

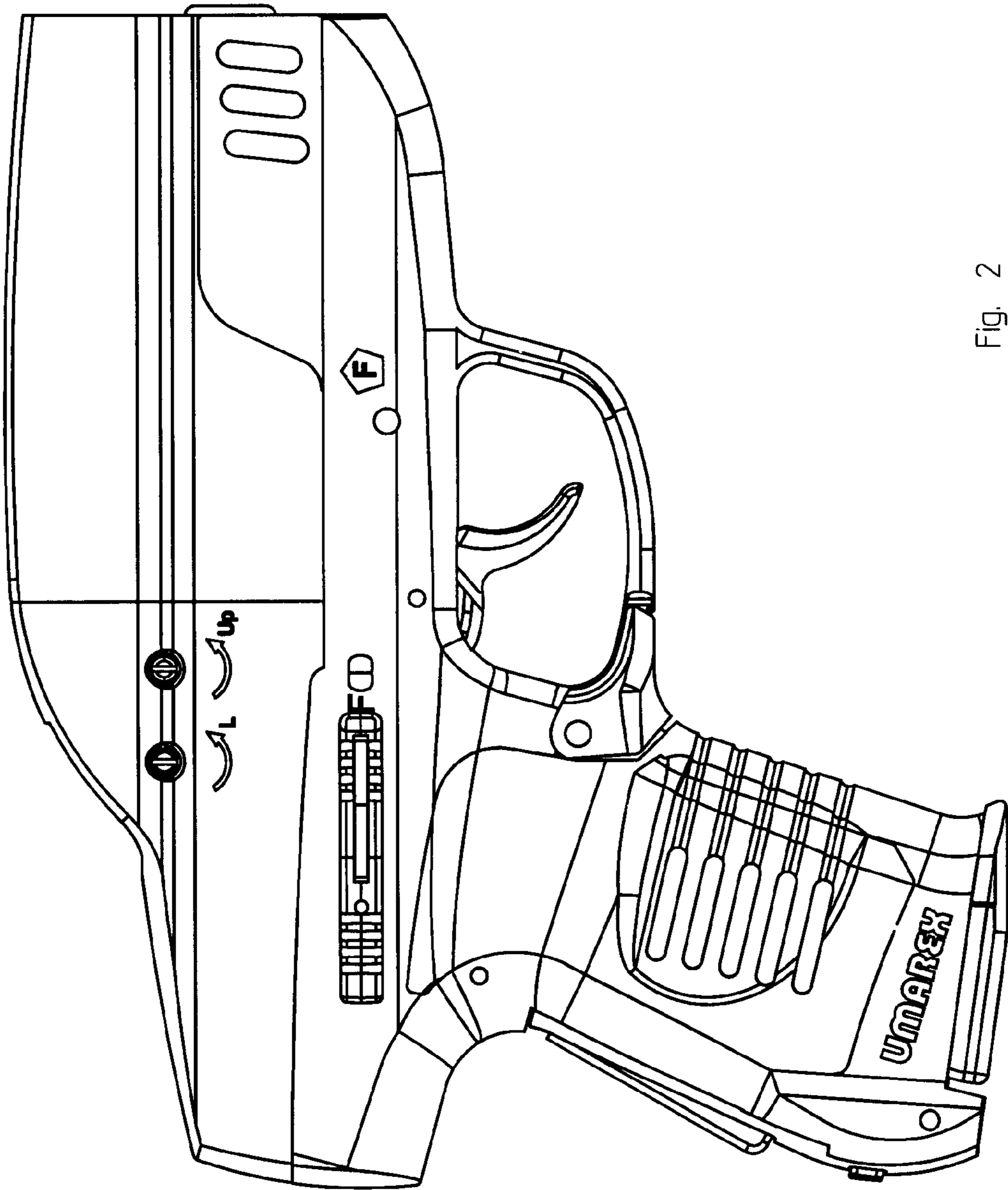


Fig. 2

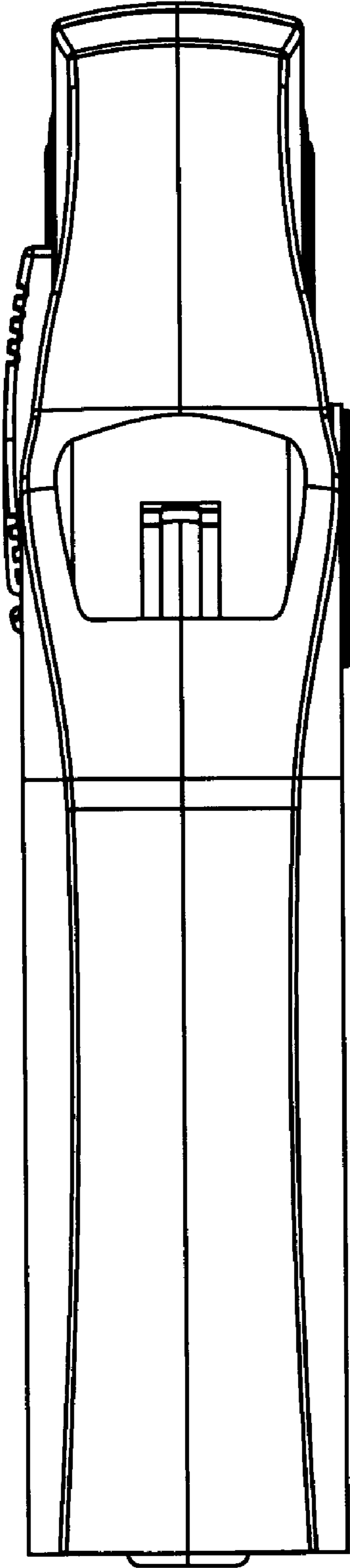


Fig. 3

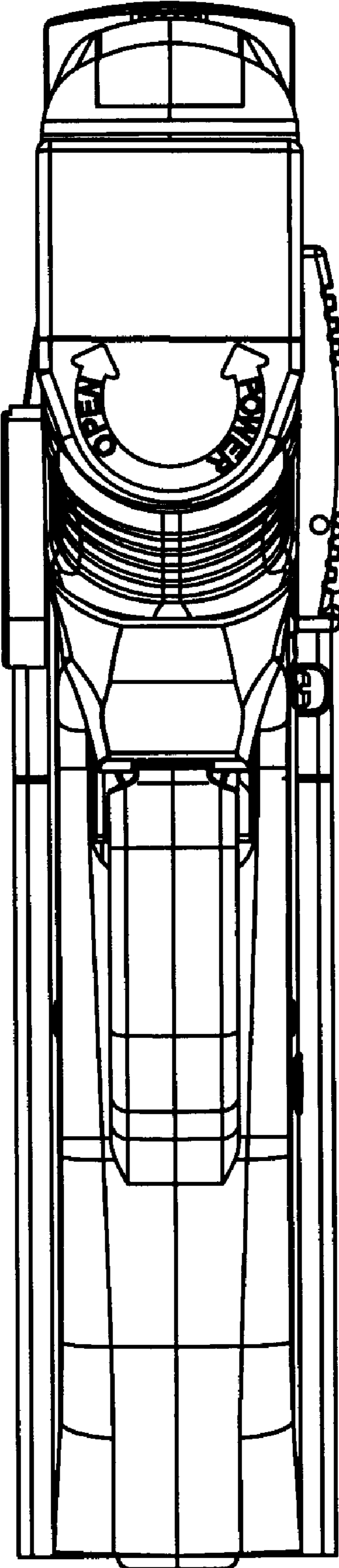


Fig. 4

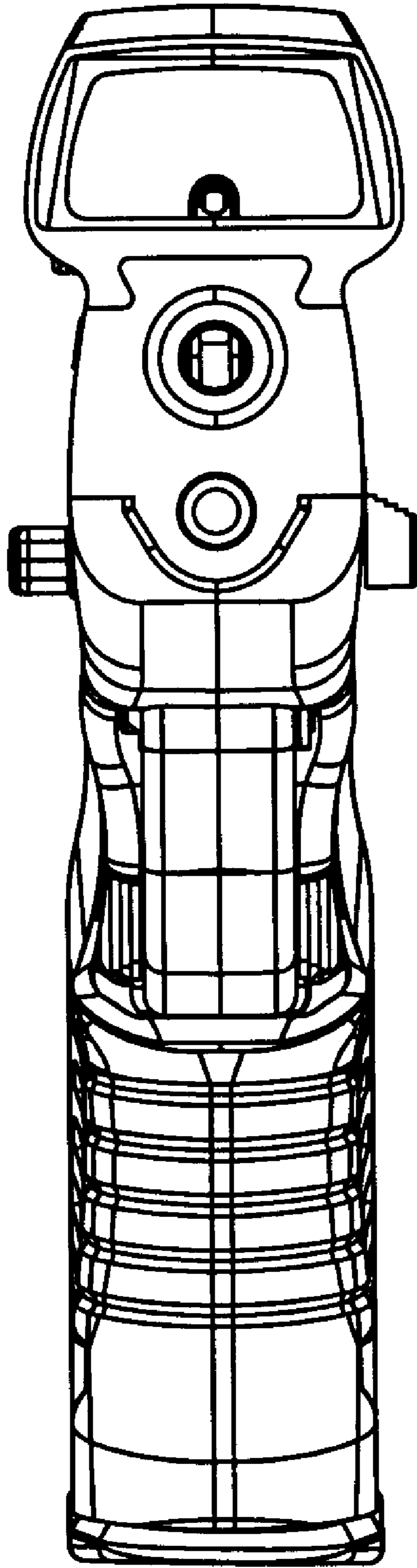


Fig. 5

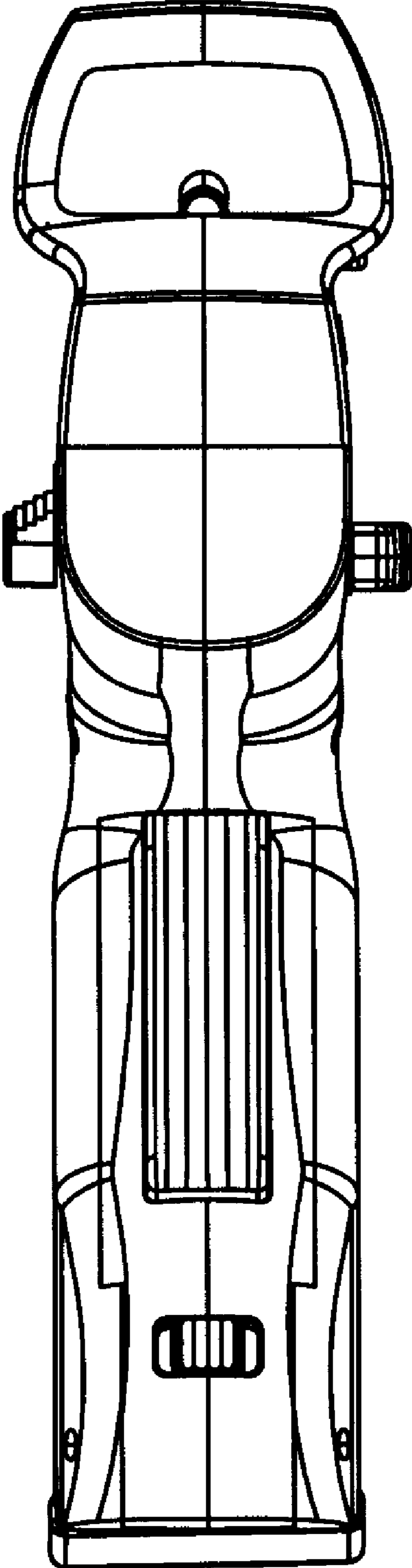


Fig. 6

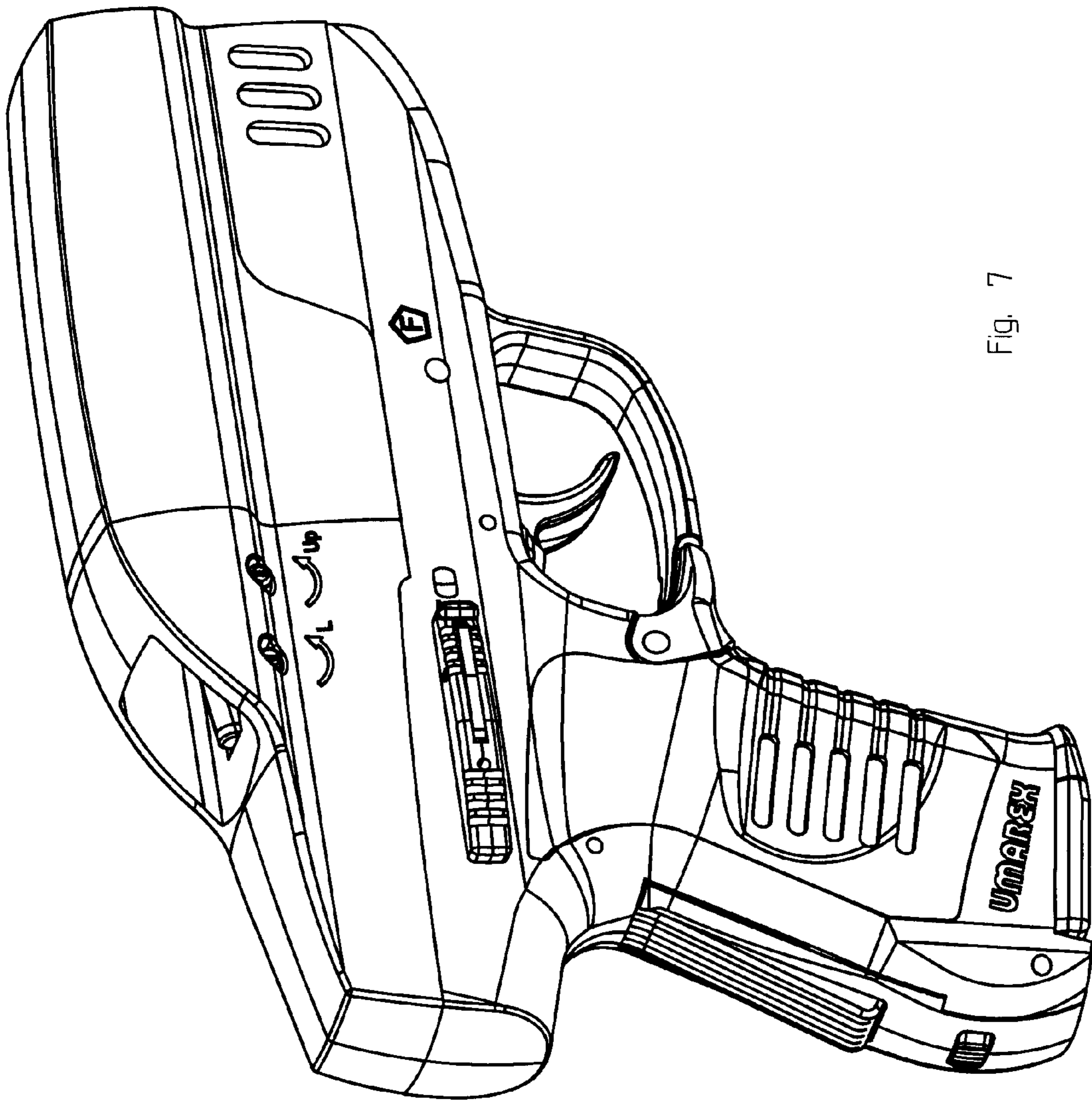


Fig. 7