



US00D515635S

(12) **United States Design Patent**  
**Takahashi et al.**

(10) **Patent No.:** **US D515,635 S**  
(45) **Date of Patent:** **\*\* Feb. 21, 2006**

(54) **REMOTE CONTROL**

(75) Inventors: **Hiroshi Takahashi**, Tokyo (JP); **Tooru Yamamoto**, Tokyo (JP)

(73) Assignee: **Nikko Co., Ltd.**, Tokyo (JP)

(\*\*) Term: **14 Years**

(21) Appl. No.: **29/224,901**

(22) Filed: **Mar. 9, 2005**

(30) **Foreign Application Priority Data**

Dec. 24, 2004 (JP) ..... 2004-039686

(51) **LOC (8) Cl.** ..... **21-01**

(52) **U.S. Cl.** ..... **D21/566**

(58) **Field of Classification Search** ..... D21/266,  
D21/324, 331, 333; D14/400, 401, 217, 218;  
446/454-456; 463/6, 7, 37-39, 46, 47; D13/168  
See application file for complete search history.

(56) **References Cited**

**U.S. PATENT DOCUMENTS**

- 4,552,360 A \* 11/1985 Bromley et al. .... 463/38
- D283,718 S \* 5/1986 Kondo ..... D21/566
- D302,446 S \* 7/1989 Cheng ..... D21/566
- D313,439 S \* 1/1991 Kohno ..... D21/566
- 5,158,495 A \* 10/1992 Yonezawa ..... 445/456
- D389,529 S \* 1/1998 Hayami ..... D14/401

- D390,613 S \* 2/1998 Kanetsuna et al. .... D21/566
- D411,265 S \* 6/1999 Kanetsuna et al. .... D21/566
- 6,342,010 B1 \* 1/2002 Slifer ..... 463/39
- D478,638 S \* 8/2003 Mukaida ..... D21/566
- D480,117 S \* 9/2003 Mukaida ..... D21/566
- D502,968 S \* 3/2005 Takahashi et al. .... D21/566
- 6,893,320 B2 \* 5/2005 Caiozza ..... 446/456

\* cited by examiner

*Primary Examiner*—Holly Baynham  
*Assistant Examiner*—Cynthia M. Chin  
(74) *Attorney, Agent, or Firm*—Young & Thompson

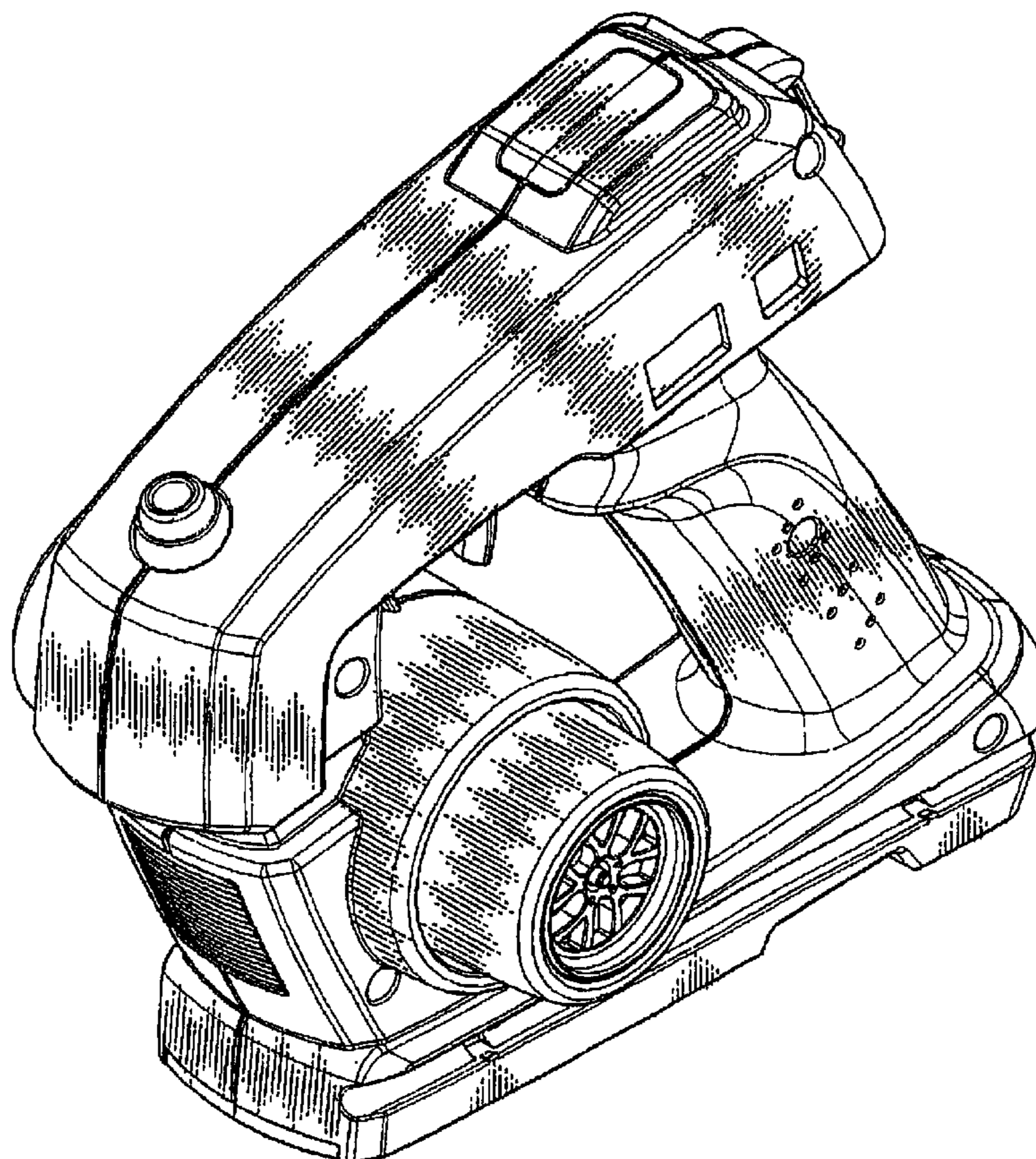
(57) **CLAIM**

The ornamental design for a remote control, as shown.

**DESCRIPTION**

FIG. 1 is a top, front and side perspective view of a remote control showing our new design;  
FIG. 2 is a top, rear and side perspective view thereof;  
FIG. 3 is a front elevational view thereof;  
FIG. 4 is a side elevational view thereof from the left of FIG. 3;  
FIG. 5 is a side elevational view thereof from the right of FIG. 3;  
FIG. 6 is a rear elevational view thereof;  
FIG. 7 is a top plan view thereof; and,  
FIG. 8 is a bottom plan view thereof.

**1 Claim, 8 Drawing Sheets**



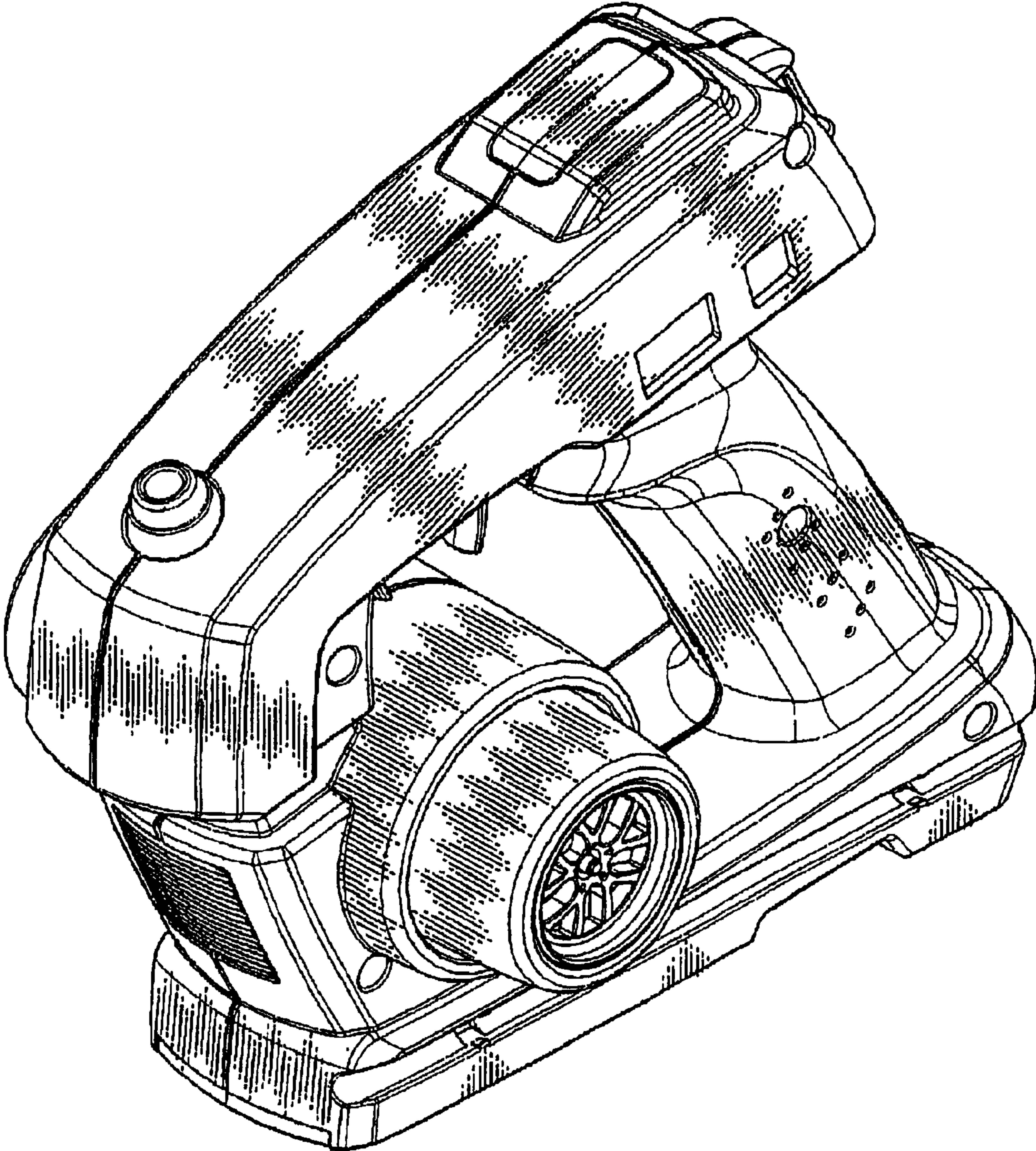


Fig. 1

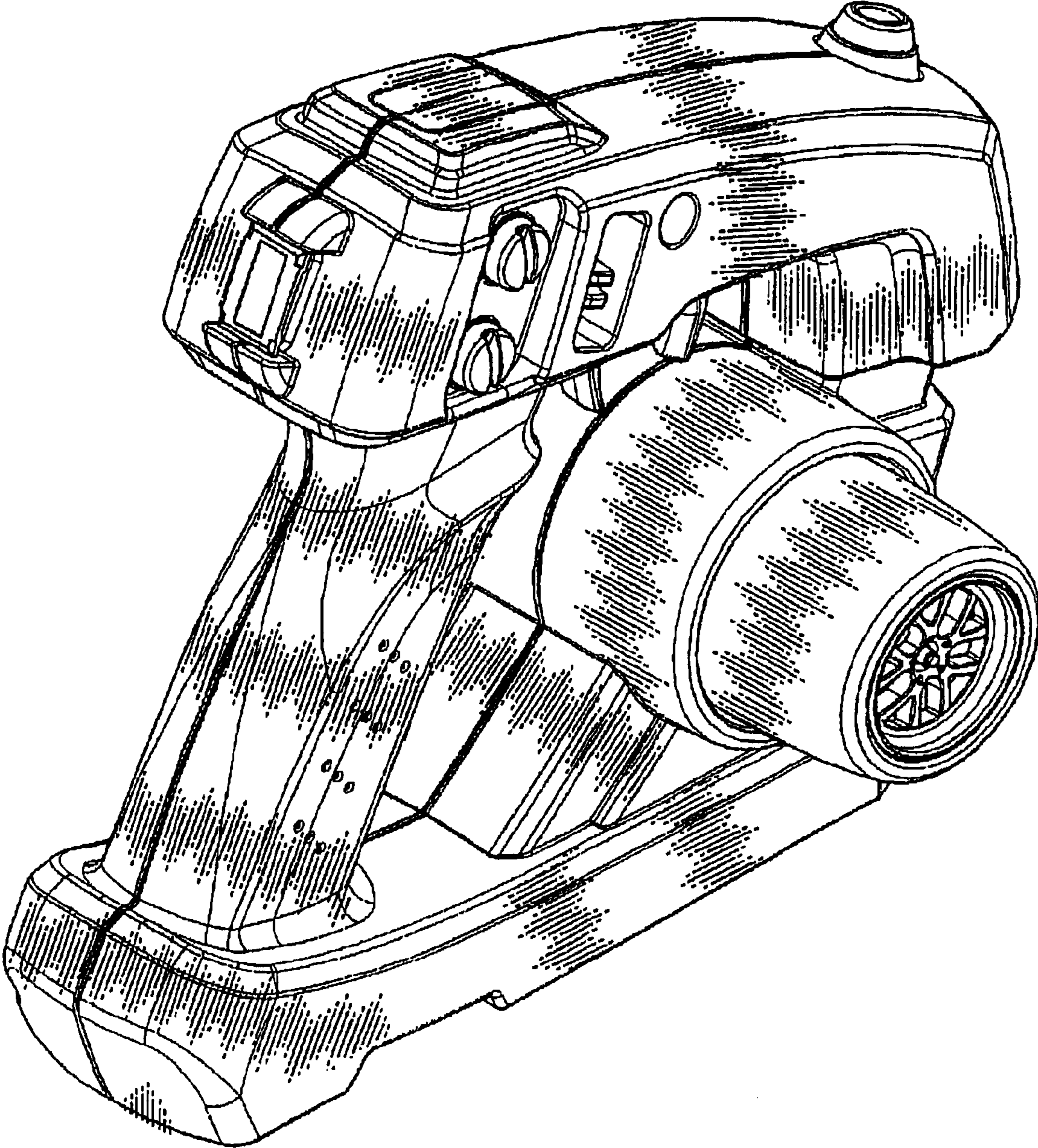


Fig. 2

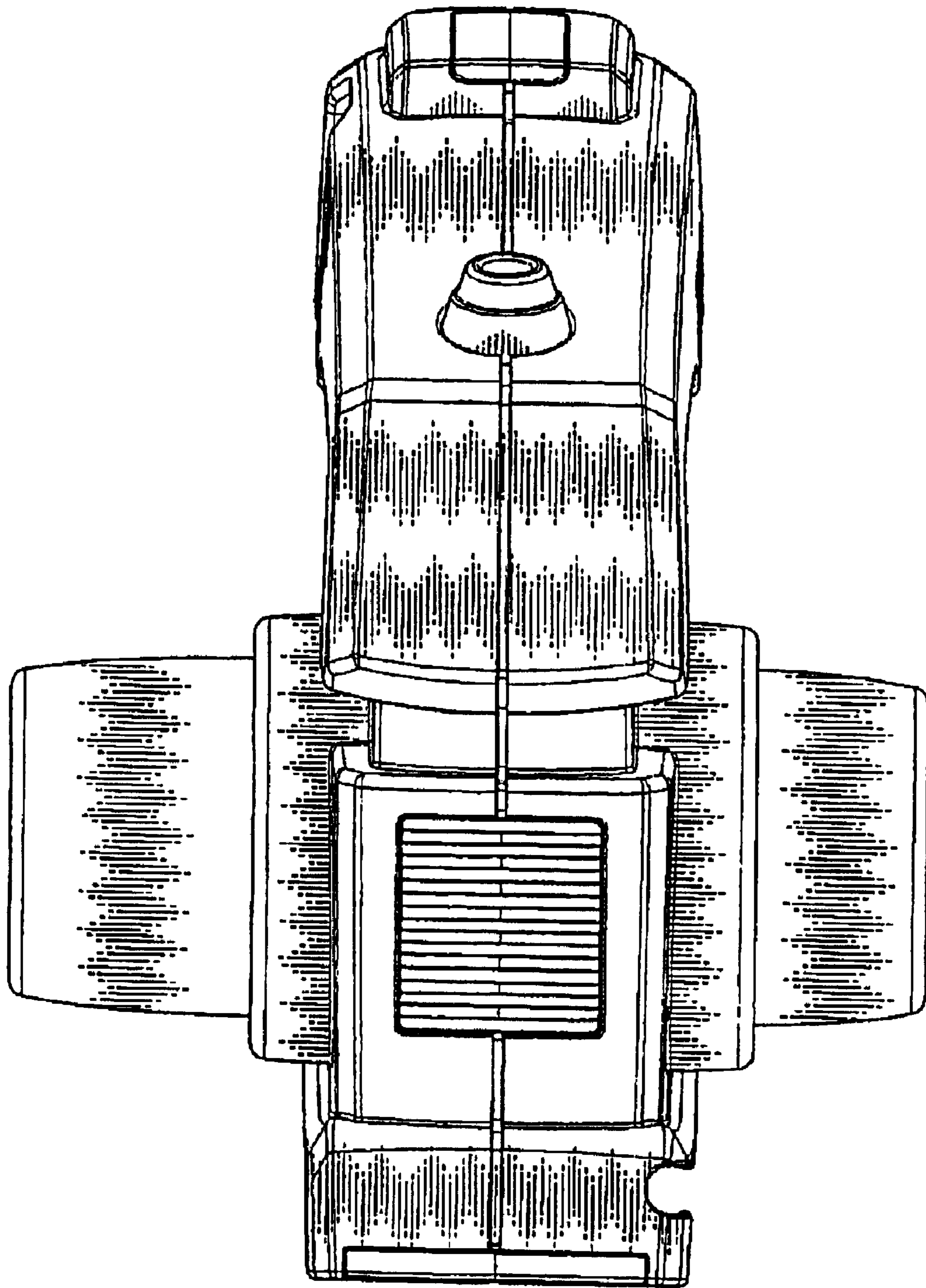


Fig. 3

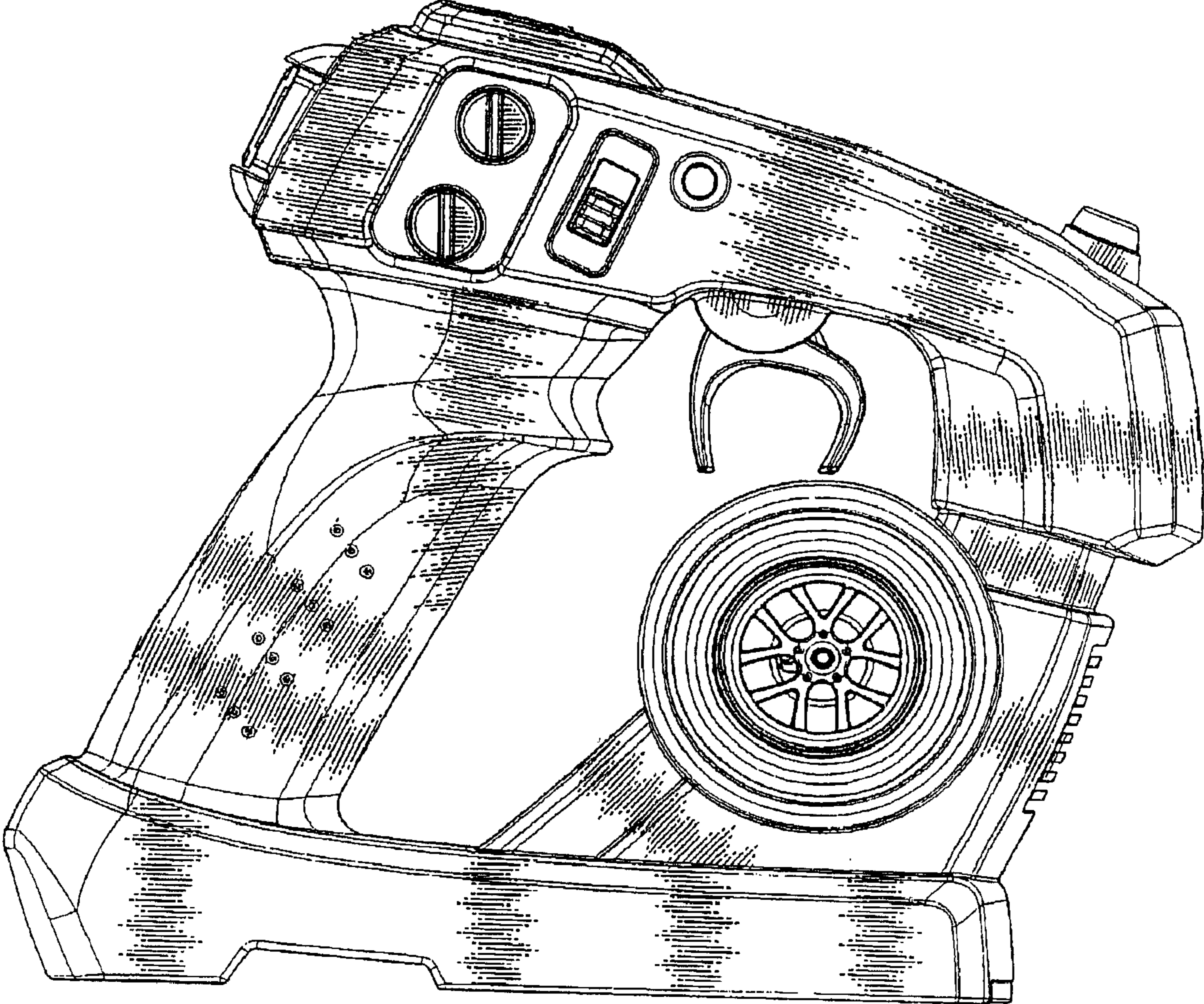


Fig. 4

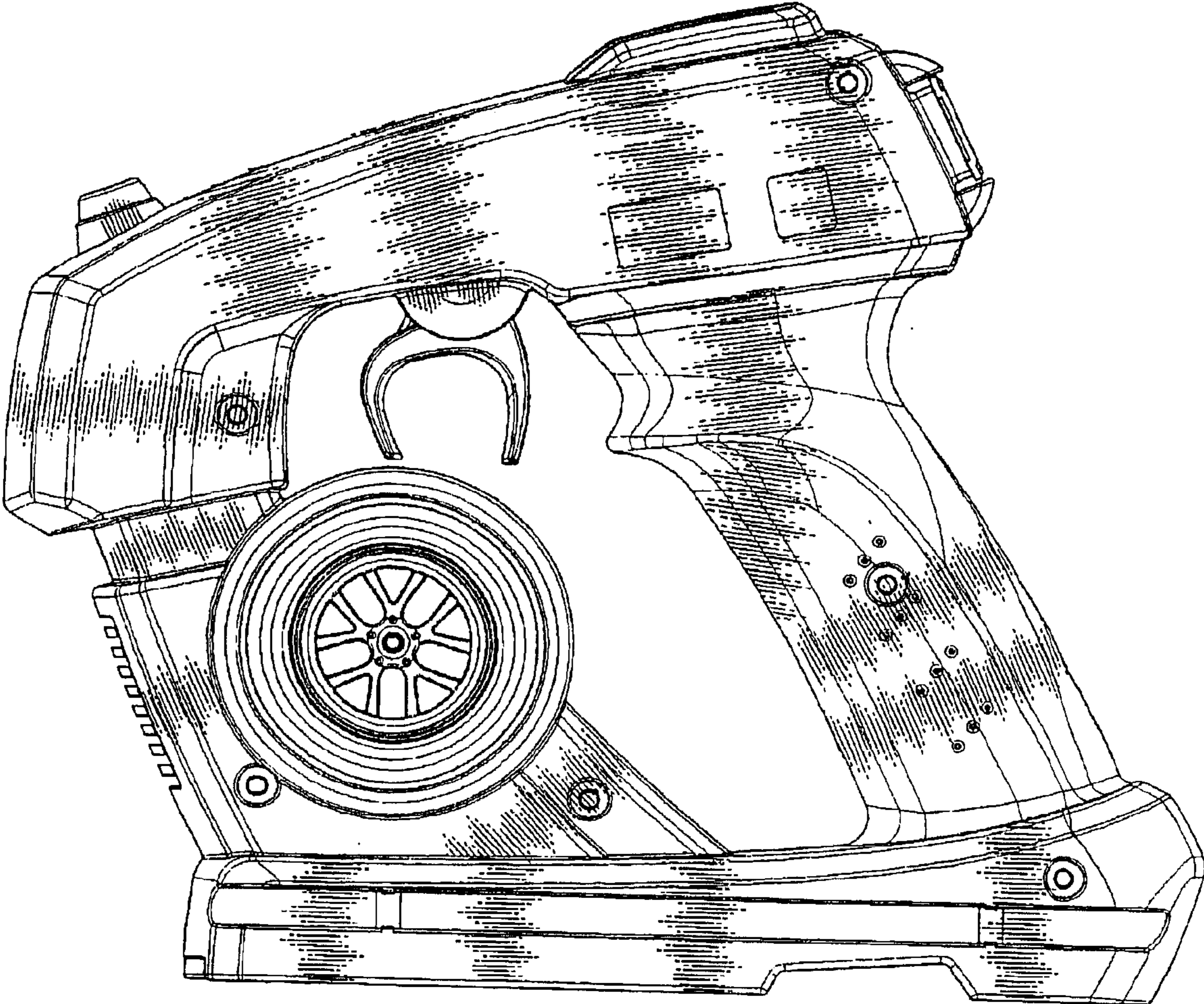


Fig. 5

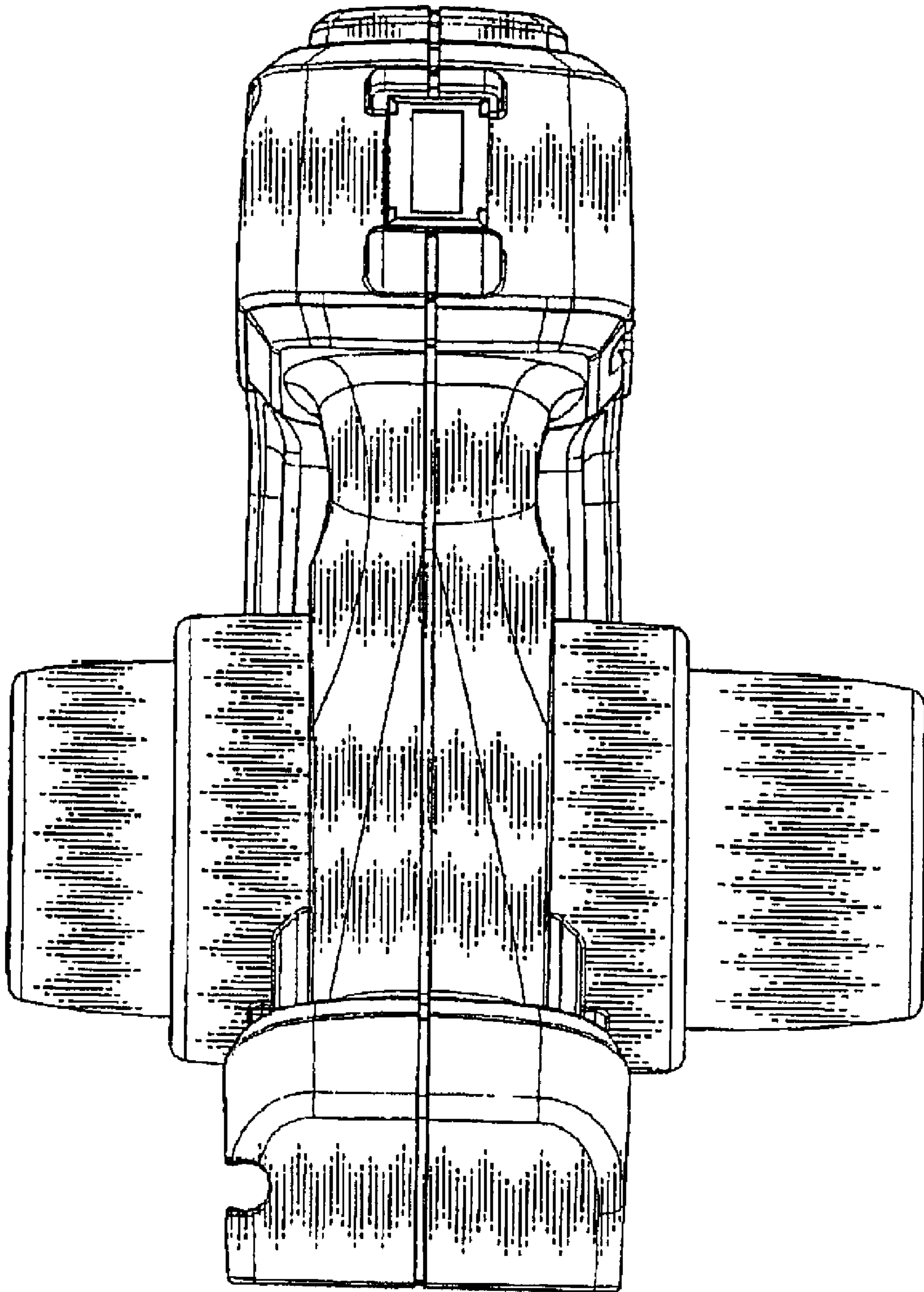


Fig. 6

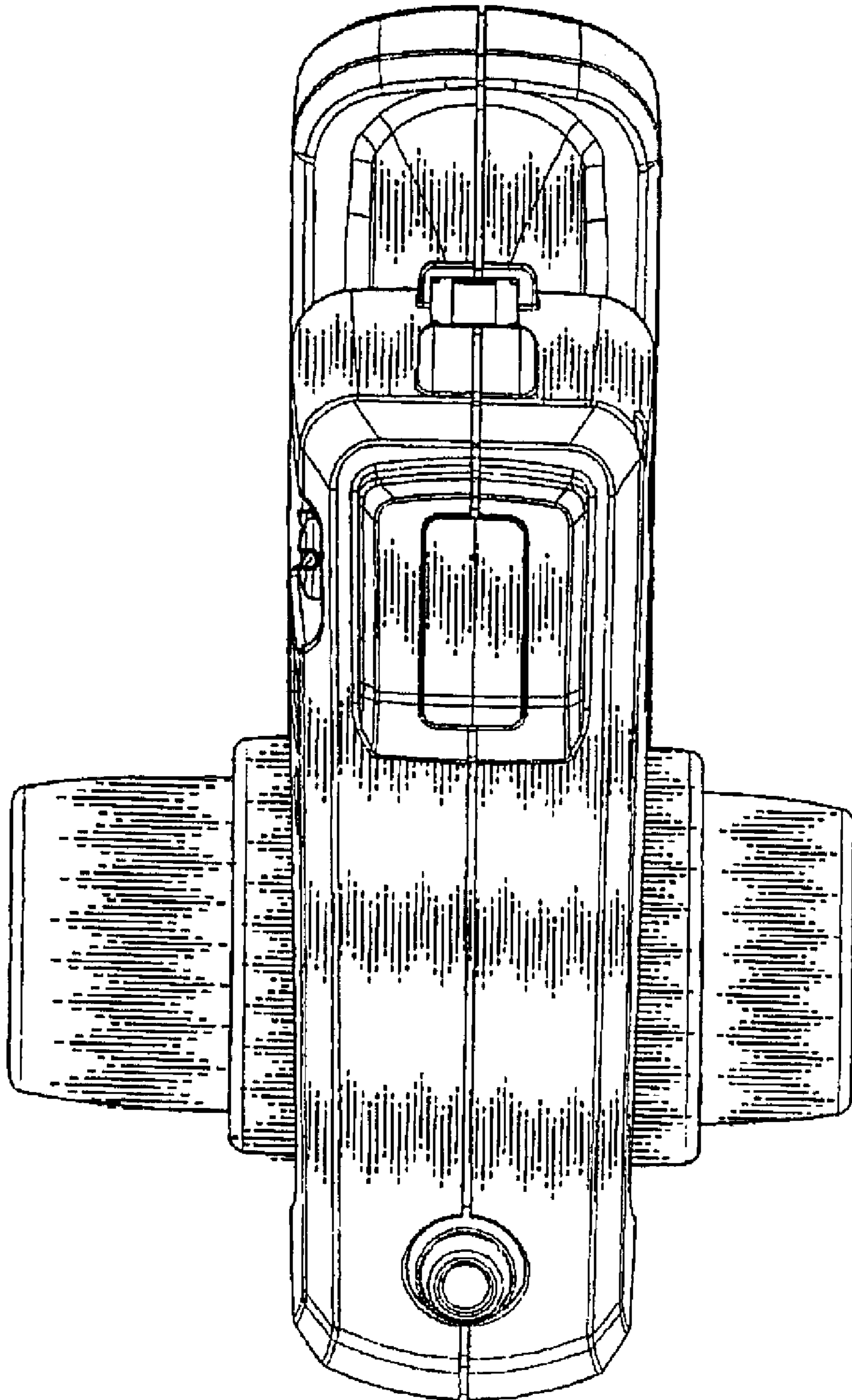


Fig. 7



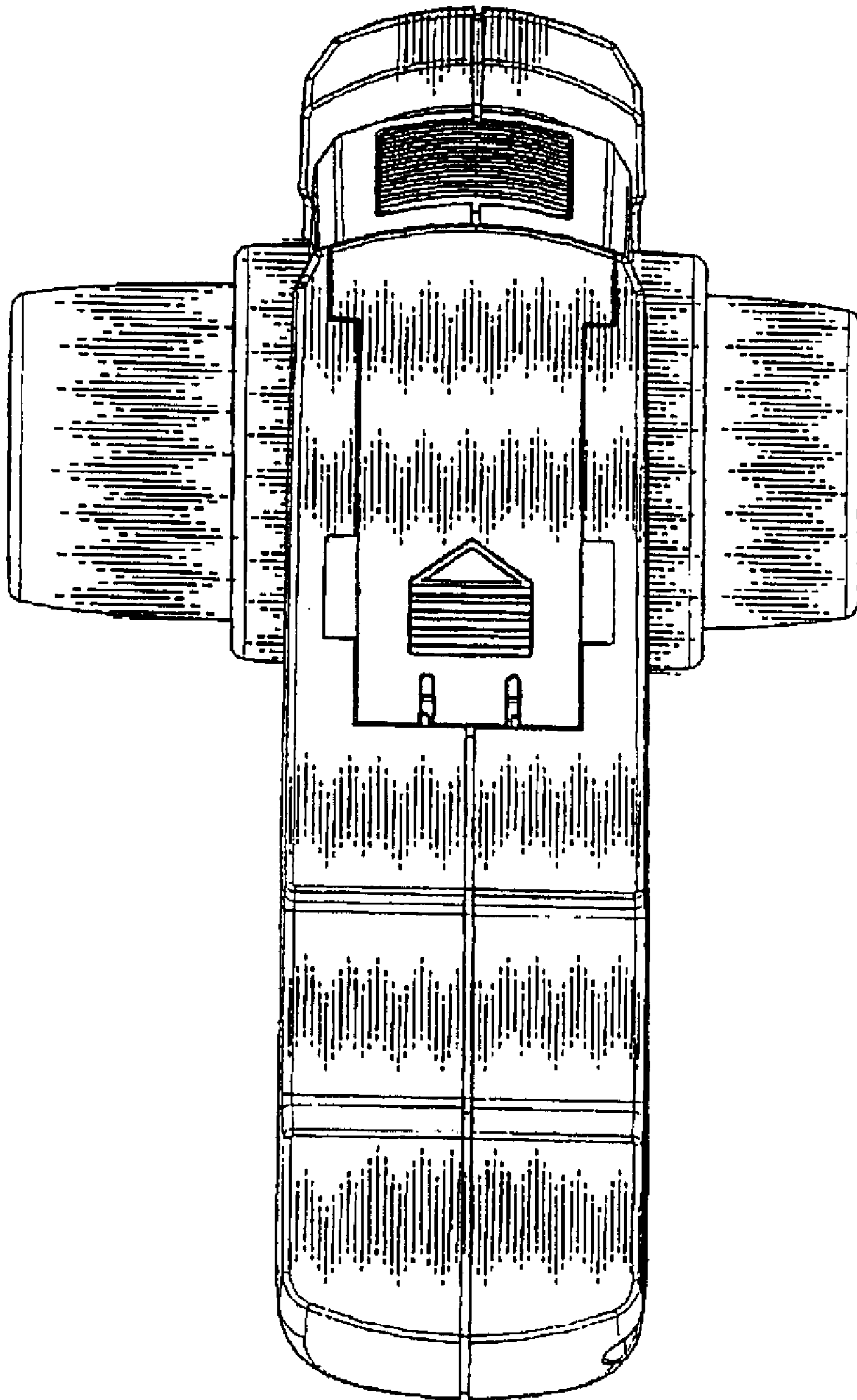


Fig. 8