



US00D515634S

(12) **United States Design Patent**
Paterson

(10) **Patent No.:** **US D515,634 S**

(45) **Date of Patent:** **** Feb. 21, 2006**

(54) **BUILDING ELEMENT**

(75) **Inventor:** **Fraser Paterson, Slough (GB)**

(73) **Assignee:** **Interlego AG, Baar (CH)**

(**) **Term:** **14 Years**

(21) **Appl. No.:** **29/210,330**

(22) **Filed:** **Jul. 29, 2004**

(30) **Foreign Application Priority Data**

Jan. 29, 2004 (EM) 000128681

(51) **LOC (8) Cl.** **21-01**

(52) **U.S. Cl.** **D21/503; D21/500**

(58) **Field of Classification Search** D21/484-505;
D25/113-118; 446/85, 104, 124-125, 119,
446/109, 120-121, 128, 93, 97, 102
See application file for complete search history.

(56) **References Cited**

U.S. PATENT DOCUMENTS

3,005,282	A	*	10/1961	Christiansen	446/128
D295,993	S	*	5/1988	Knudsen	D21/501
5,125,867	A	*	6/1992	Solomon	446/109
5,411,428	A	*	5/1995	Orii et al.	446/102
D364,658	S	*	11/1995	Bromso	D21/503
5,645,463	A	*	7/1997	Olsen	446/104

D395,064	S	*	6/1998	Pagel	D21/484
D409,678	S	*	5/1999	Toft	D21/487
D410,042	S	*	5/1999	Toft	D21/488
6,200,187	B1	*	3/2001	Olsen et al.	446/120

OTHER PUBLICATIONS

Lego catalog, 1990.*
Lego catalog, p. 43, 1997.*

* cited by examiner

Primary Examiner—Raphael Barkai

(74) *Attorney, Agent, or Firm*—Pitney Hardin LLP

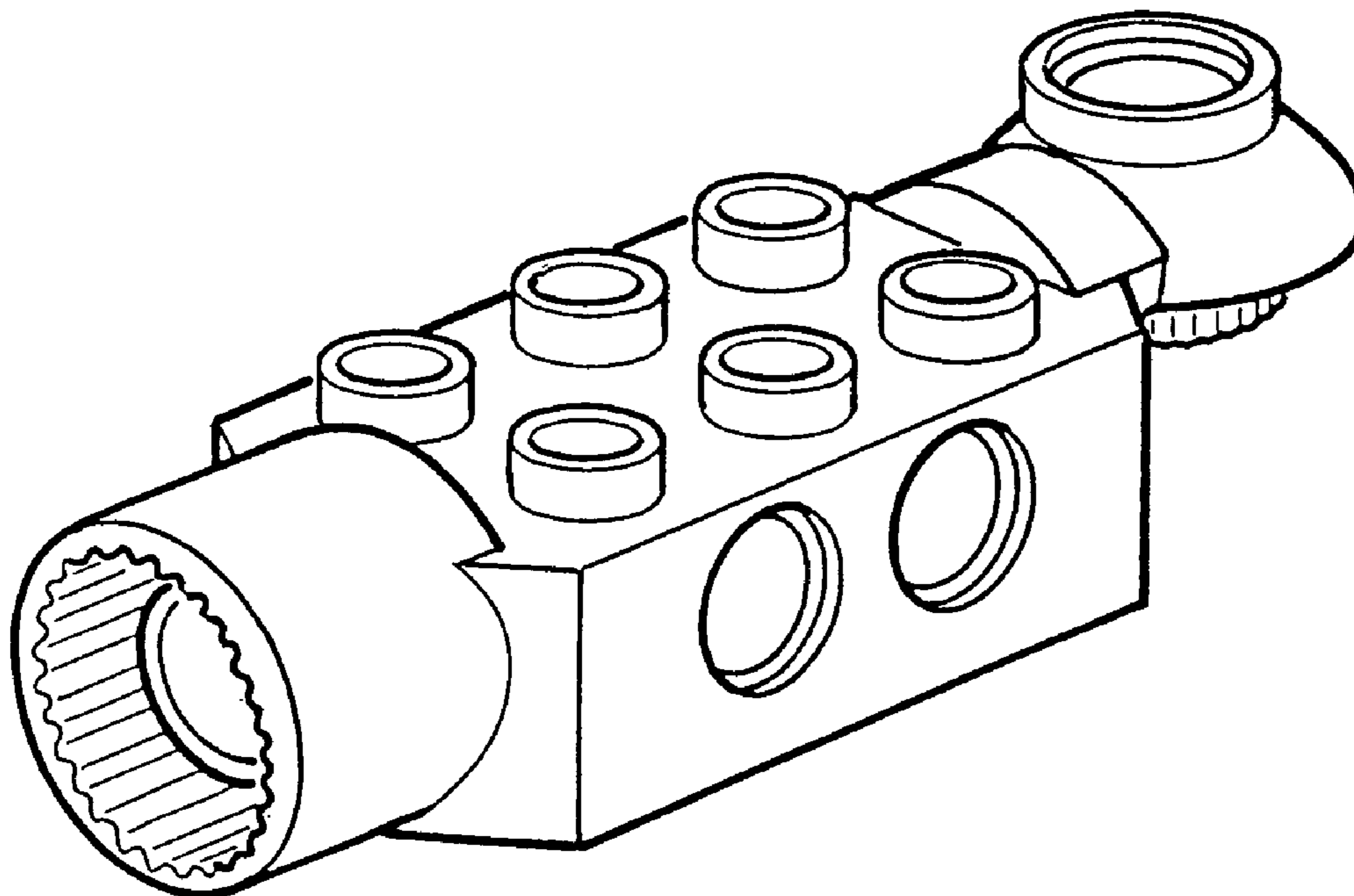
(57) **CLAIM**

The ornamental design for a building element, as shown and described.

DESCRIPTION

FIG. 1 is a top perspective view of the building element design;
FIG. 2 is a bottom perspective view thereof;
FIG. 3 is a side elevational view thereof, the opposite side being identical;
FIG. 4 is a front elevational view thereof;
FIG. 5 is a rear elevational view thereof;
FIG. 6 is a top plan view thereof; and,
FIG. 7 is a bottom elevational view thereof.

1 Claim, 2 Drawing Sheets



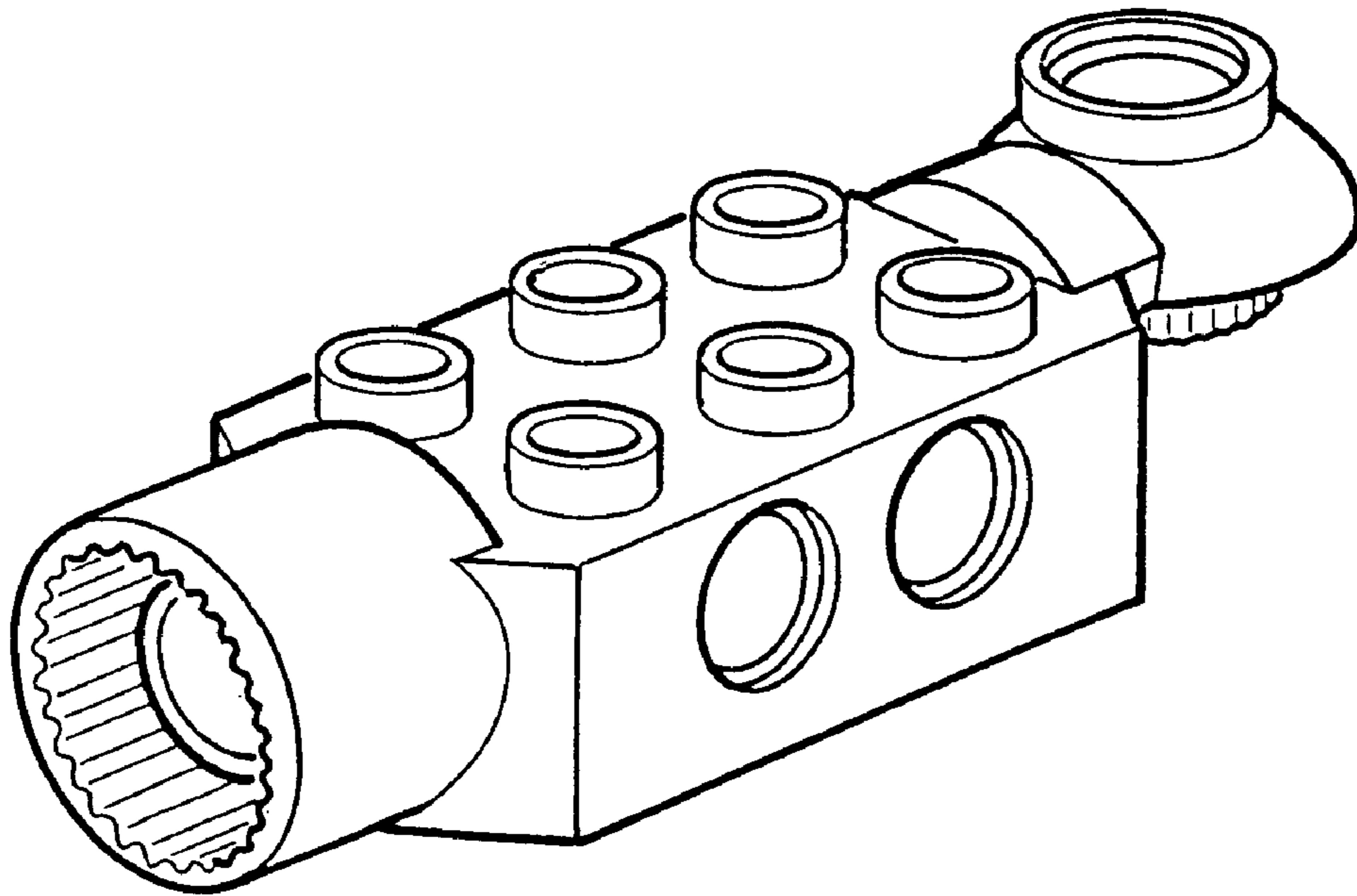


FIG. 1

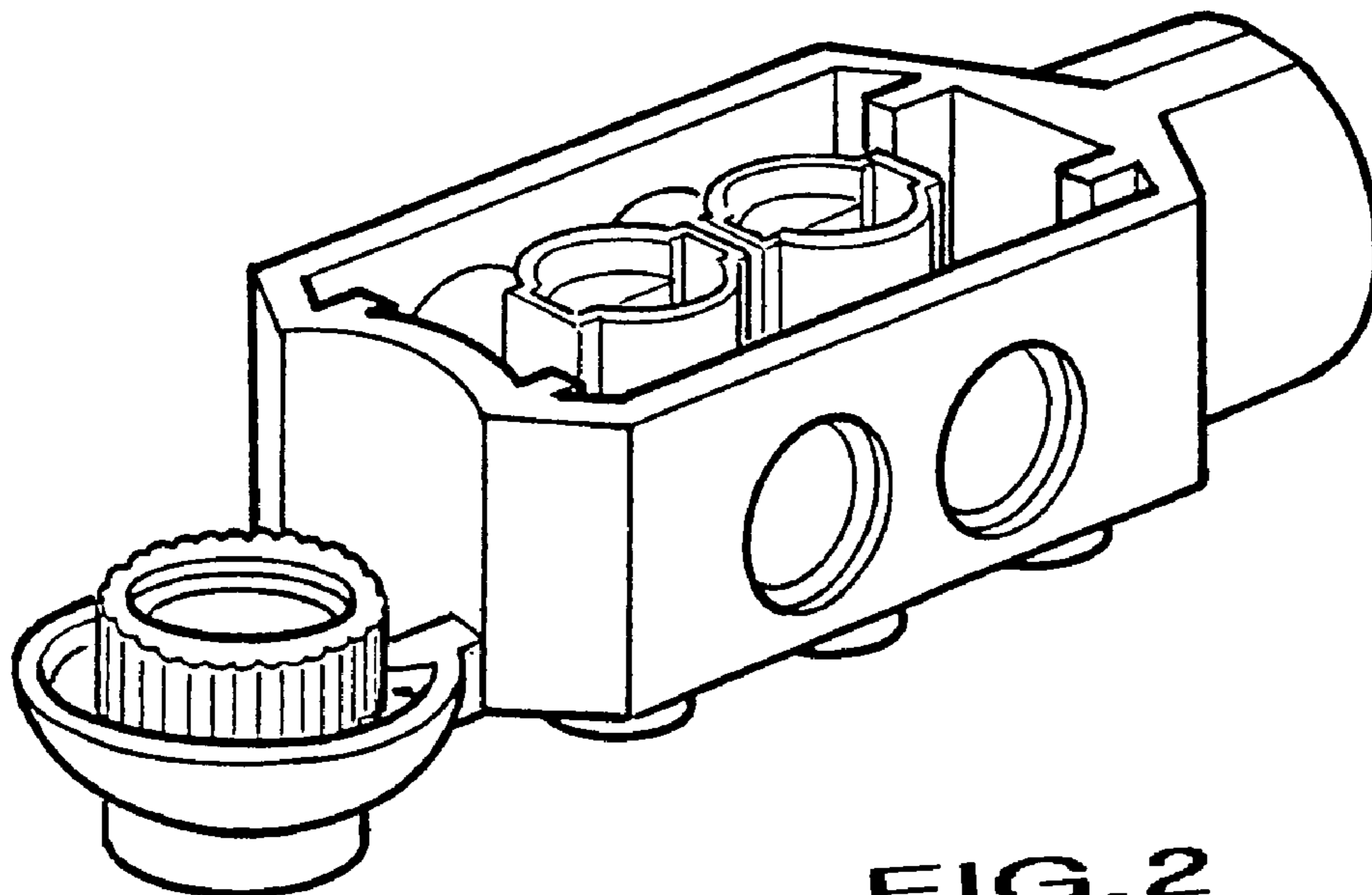


FIG. 2

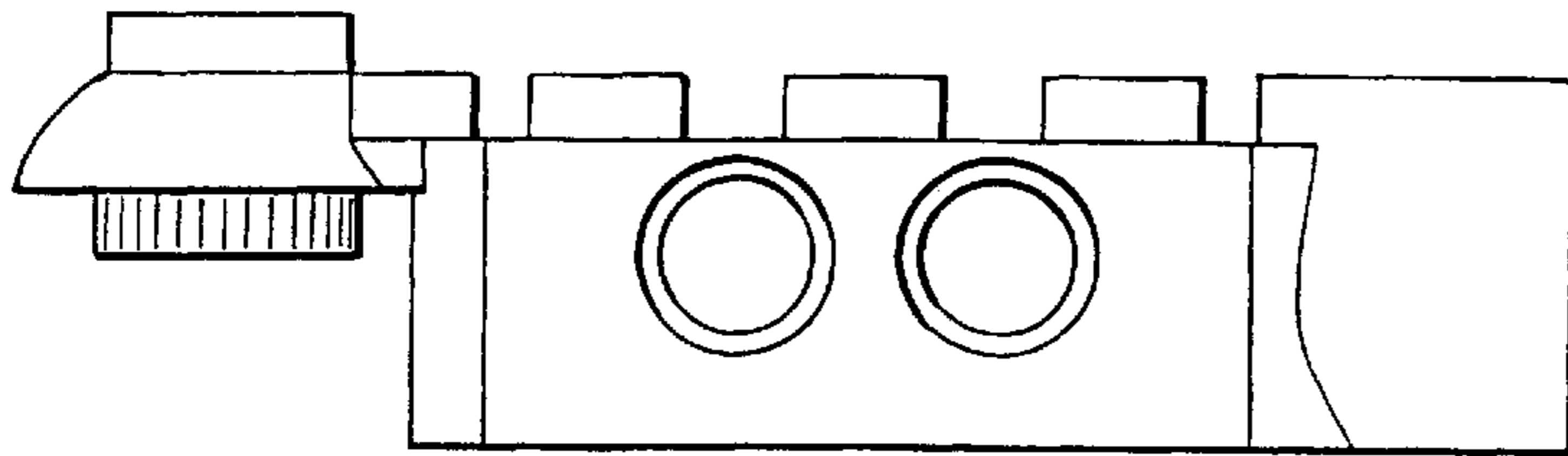


FIG. 3

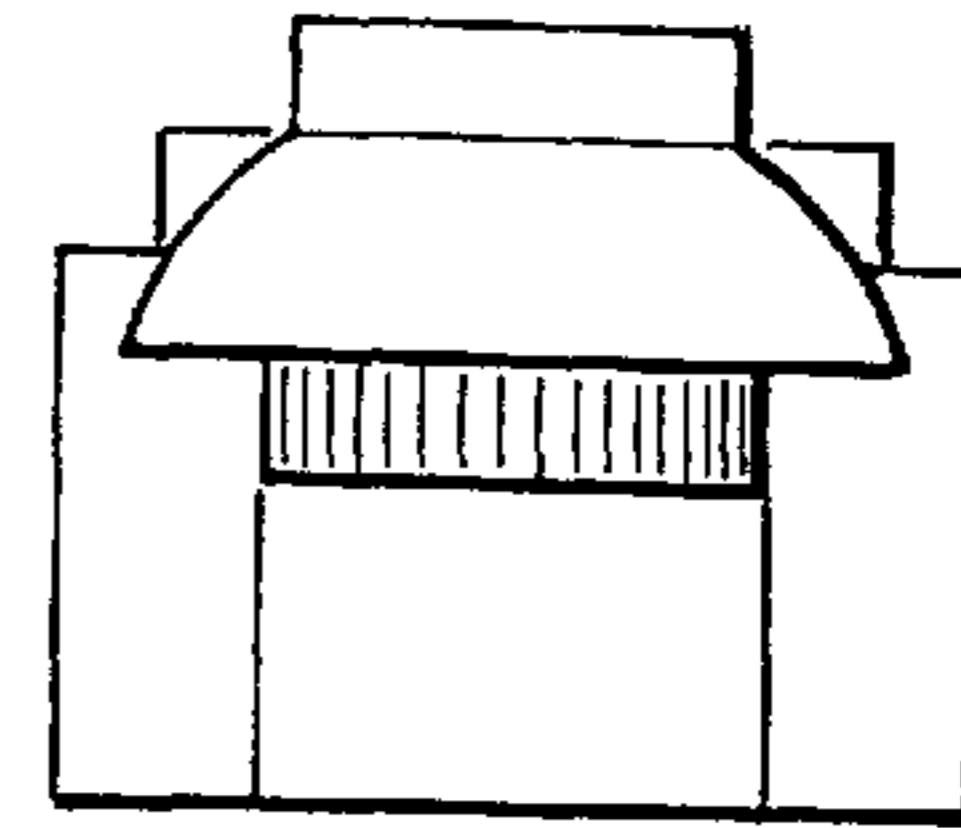


FIG. 4

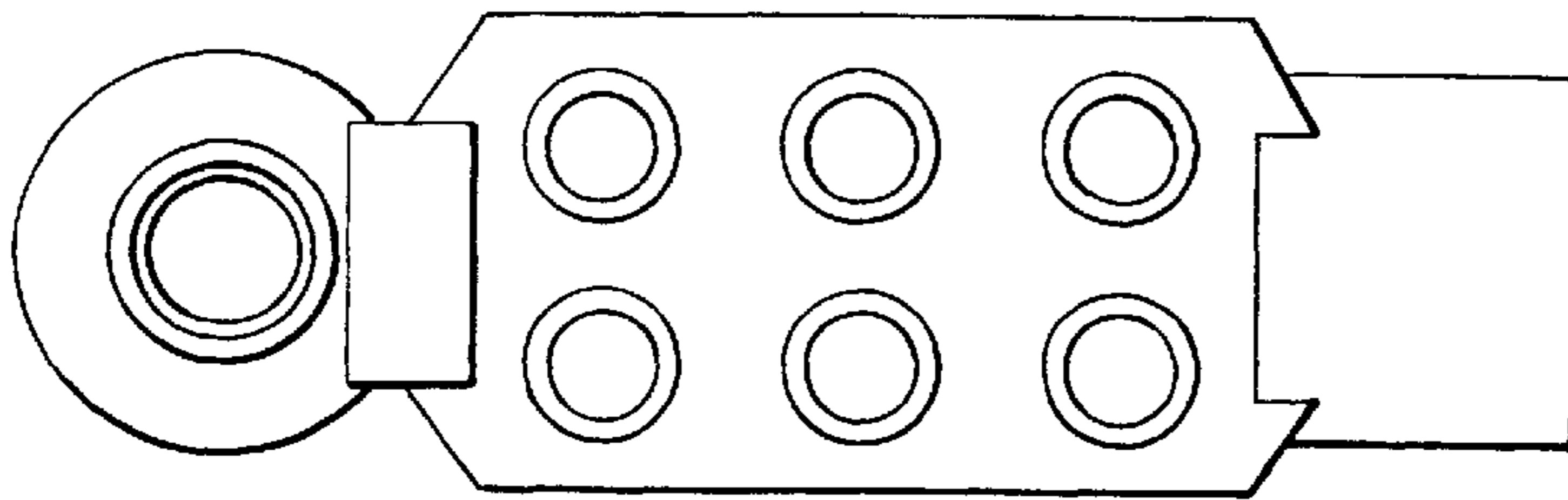


FIG. 6

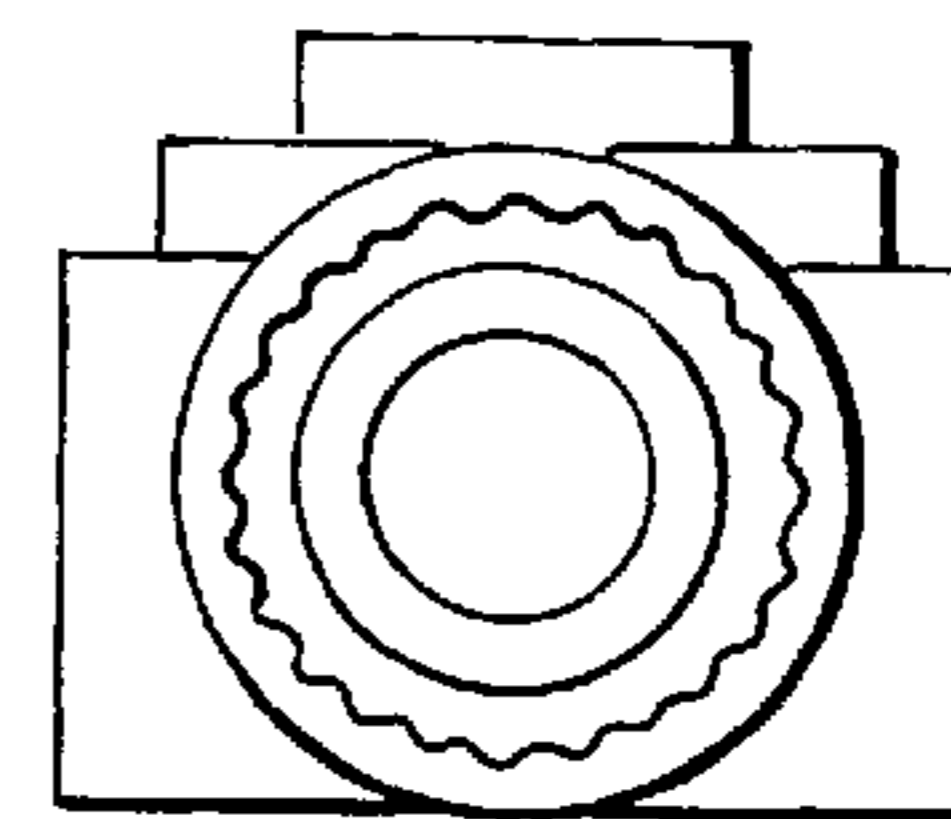


FIG. 5

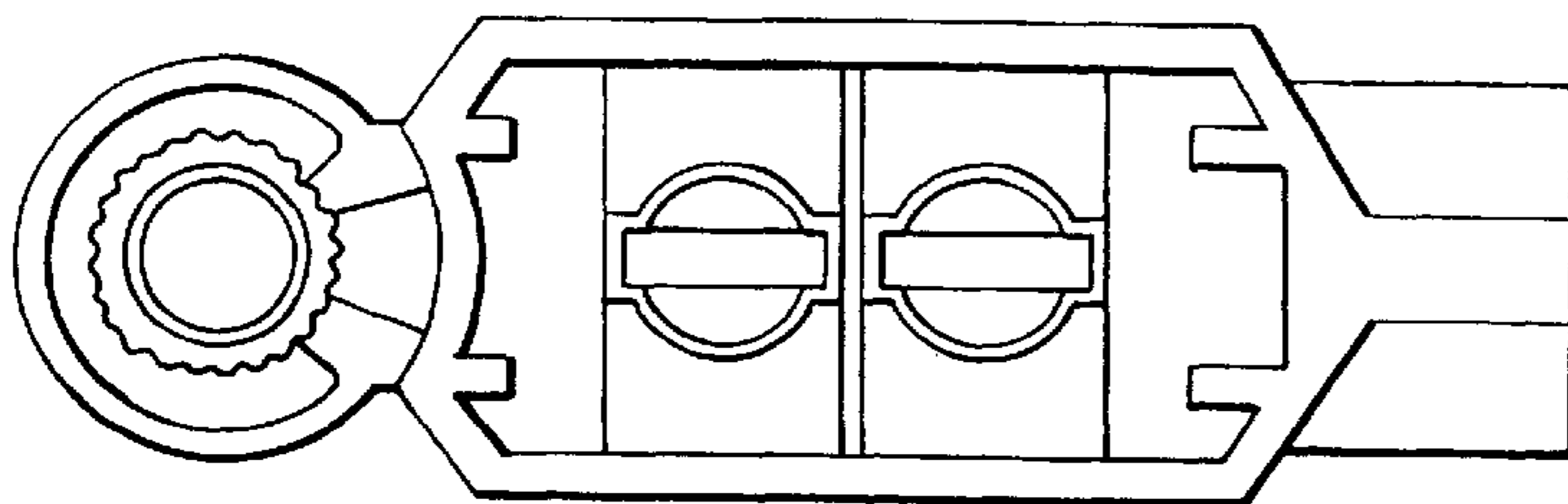


FIG. 7