



US00D515631S

(12) **United States Design Patent**
Li

(10) **Patent No.: US D515,631 S**

(45) **Date of Patent: ** Feb. 21, 2006**

(54) **LABEL FOR PANELS**

(75) **Inventor: Yi-Shan Li, Taipei (TW)**

(73) **Assignee: Inventec Corporation, Taipei (TW)**

(**) **Term: 14 Years**

(21) **Appl. No.: 29/222,004**

(22) **Filed: Jan. 26, 2005**

(51) **LOC (8) Cl. 19-08**

(52) **U.S. Cl. D20/27**

(58) **Field of Classification Search D20/22,**
D20/27, 40, 42, 43, 44, 99; D19/1, 2; 40/1,
40/5, 6, 360, 630, 637, 638, 675, 299; 206/232,
206/459.5; 283/67, 75, 81, 101, 900; 428/40.1,
428/41.8, 42.3; D14/306, 356

See application file for complete search history.

(56) **References Cited**

U.S. PATENT DOCUMENTS

D291,317 S	*	8/1987	Sharp	D14/356
D415,738 S	*	10/1999	Ito et al.	D14/356
6,121,988 A	*	9/2000	Uchiyama	347/208
D484,128 S	*	12/2003	Chung	D14/356

D487,086 S	*	2/2004	Chung	D14/356
D496,359 S	*	9/2004	Ooura et al.	D14/356
D500,090 S	*	12/2004	Chen et al.	D20/42
D500,503 S	*	1/2005	Wood et al.	D14/444
D506,786 S	*	6/2005	Wood et al.	D20/22

* cited by examiner

Primary Examiner—Robert M. Spear

(74) *Attorney, Agent, or Firm*—Birch, Stewart, Kolasch & Birch, LLP

(57) **CLAIM**

The ornamental design for a “label for panels,” as shown and described.

DESCRIPTION

FIG. 1 is a perspective view of label for panels showing our new design;

FIG. 2 is a front view thereof;

FIG. 3 is a rear view thereof;

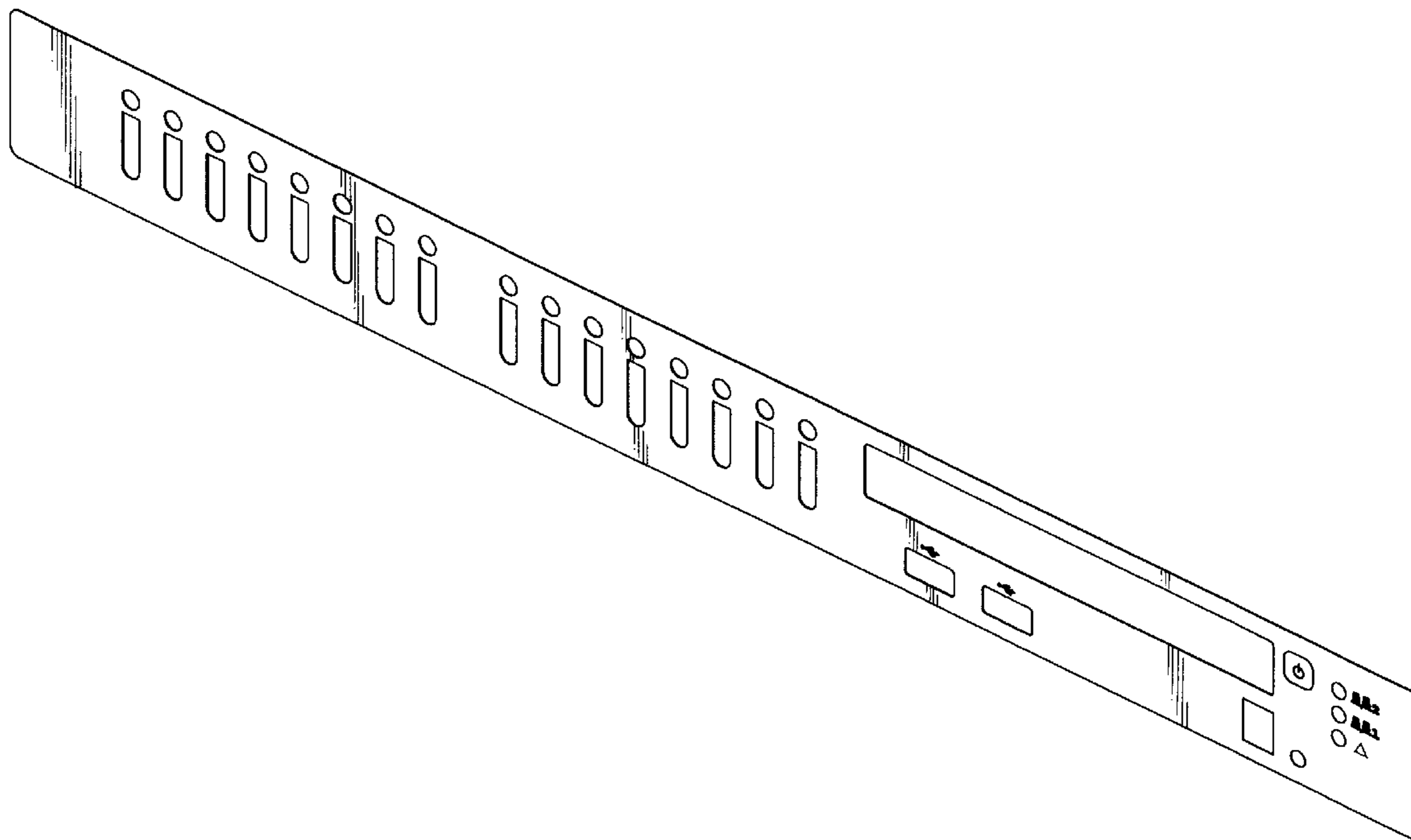
FIG. 4 is a left side elevational view thereof;

FIG. 5 is a right side elevational view thereof;

FIG. 6 is a top view thereof; and,

FIG. 7 is a bottom view thereof.

1 Claim, 3 Drawing Sheets



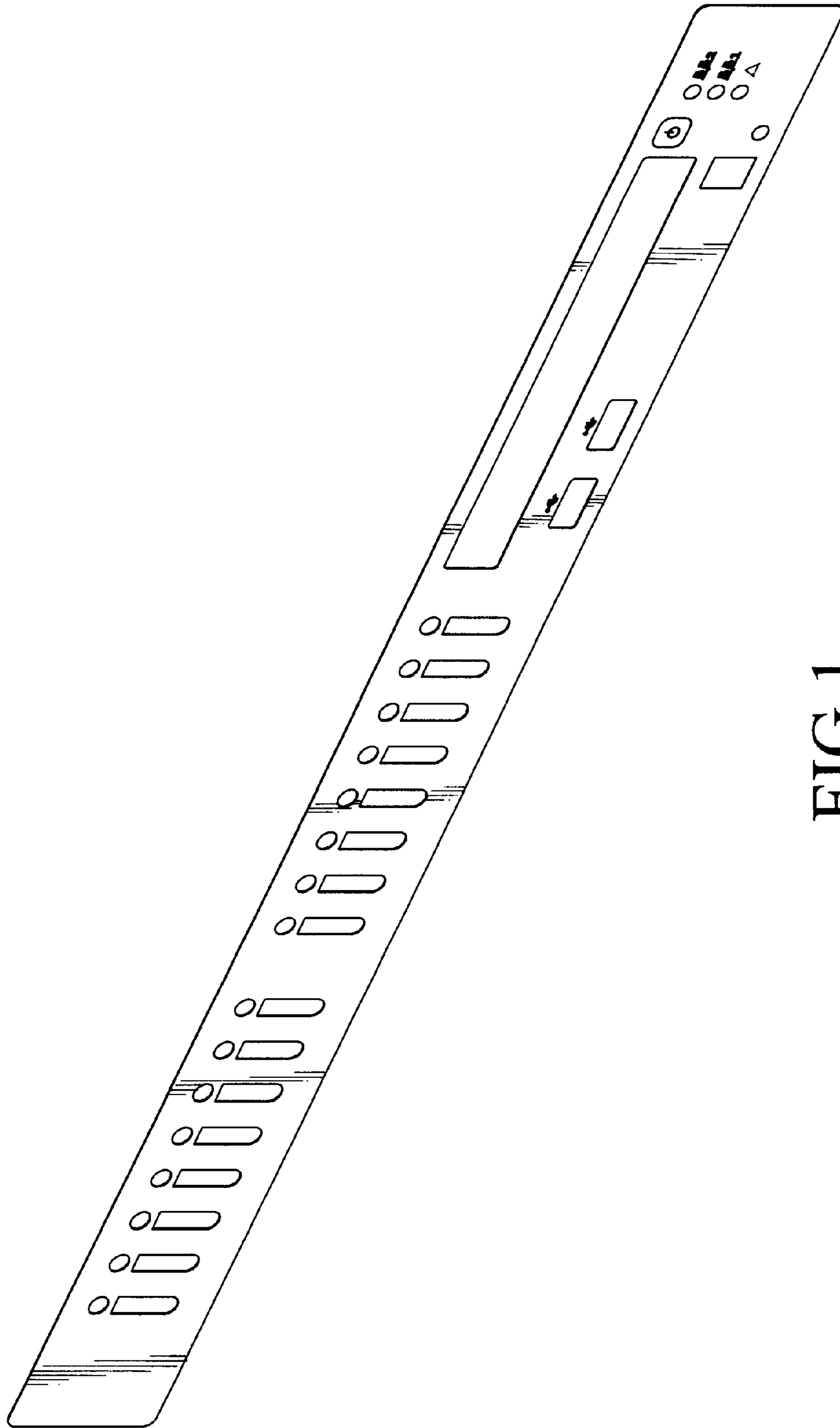


FIG. 1

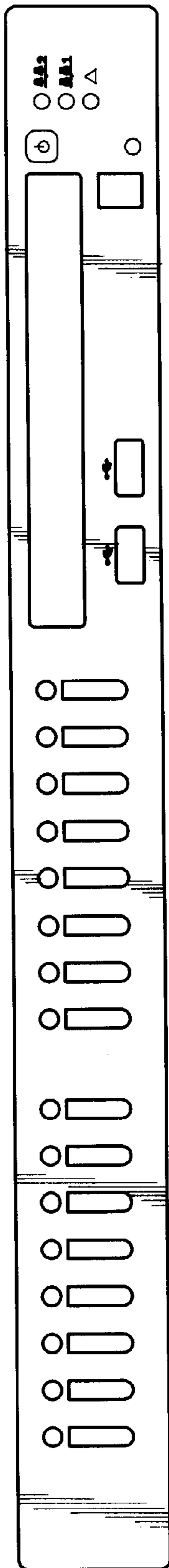


FIG. 2

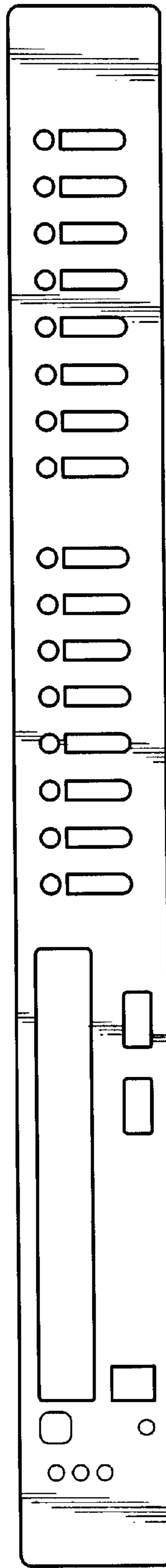


FIG. 3



FIG. 4



FIG. 5



FIG. 6



FIG. 7