



US00D515624S

(12) **United States Design Patent** (10) **Patent No.:** **US D515,624 S**
Loo (45) **Date of Patent:** **** Feb. 21, 2006**

(54) **BOOK WITH PROVISION FOR AT LEAST ONE MOVEABLE OBJECT IMPLANTED THEREIN**

(75) Inventor: **Peng Cheong Loo**, Easton, CT (US)

(73) Assignee: **Rocket Books, Inc.**, Easton, CT (US)

(**) Term: **14 Years**

(21) Appl. No.: **29/215,680**

(22) Filed: **Oct. 22, 2004**

(51) **LOC (8) Cl.** **19-04**

(52) **U.S. Cl.** **D19/26**

(58) **Field of Classification Search** D19/26,
D19/27, 28, 29, 30, 31, 32, 33, 86; 206/472;
281/3.1, 15.1, 19.1, 21.1, 29, 34, 38, 51;
283/63.1; 446/147, 149, 151, 152, 489; 402/73,
402/80 R

See application file for complete search history.

(56) **References Cited**

U.S. PATENT DOCUMENTS

3,918,180	A	*	11/1975	Chamberlin	434/178
4,537,576	A	*	8/1985	Thorsheim et al.	434/404
4,951,404	A	*	8/1990	Lithwick	40/124.06
5,133,684	A	*	7/1992	Rhodes et al.	446/489
D384,100	S		9/1997	Derraugh		
5,681,199	A		10/1997	Morris		
D386,785	S		11/1997	Derraugh		
D389,181	S		1/1998	Fernandes et al.		
5,895,305	A	*	4/1999	Cowley et al.	446/72
5,954,518	A	*	9/1999	Teichberg	434/404
6,234,534	B1	*	5/2001	Warren	281/37
D450,763	S		11/2001	Fernandes et al.		
D451,132	S		11/2001	Fernandes et al.		
D452,524	S		12/2001	Fernandes et al.		

D452,876	S		1/2002	Fernandes et al.		
6,402,523	B1	*	6/2002	Kaufman et al.	434/404
6,796,061	B2	*	9/2004	Gemma, Jr.	40/491
D502,213	S	*	2/2005	Prescott et al.	D19/28
2004/0012190	A1	*	1/2004	D'Andrea	281/38

FOREIGN PATENT DOCUMENTS

EP		0832674	A2		4/1998
ES		131856			6/1968

* cited by examiner

Primary Examiner—Caron D. Veynar
Assistant Examiner—Elizabeth Albert

(74) *Attorney, Agent, or Firm*—Ware, Fressola, Van der Sluys & Adolphson LLP

(57) **CLAIM**

The ornamental design for a book with provision for at least one moveable object implanted therein, as shown and described.

DESCRIPTION

FIG. 1 is a perspective view of a book with provision for at least one moveable object implanted therein showing the invention, the book being shown in a closed position;

FIG. 2 is a front view of the invention;

FIG. 3 is a right side view of the invention;

FIG. 4 is a rear view of the invention;

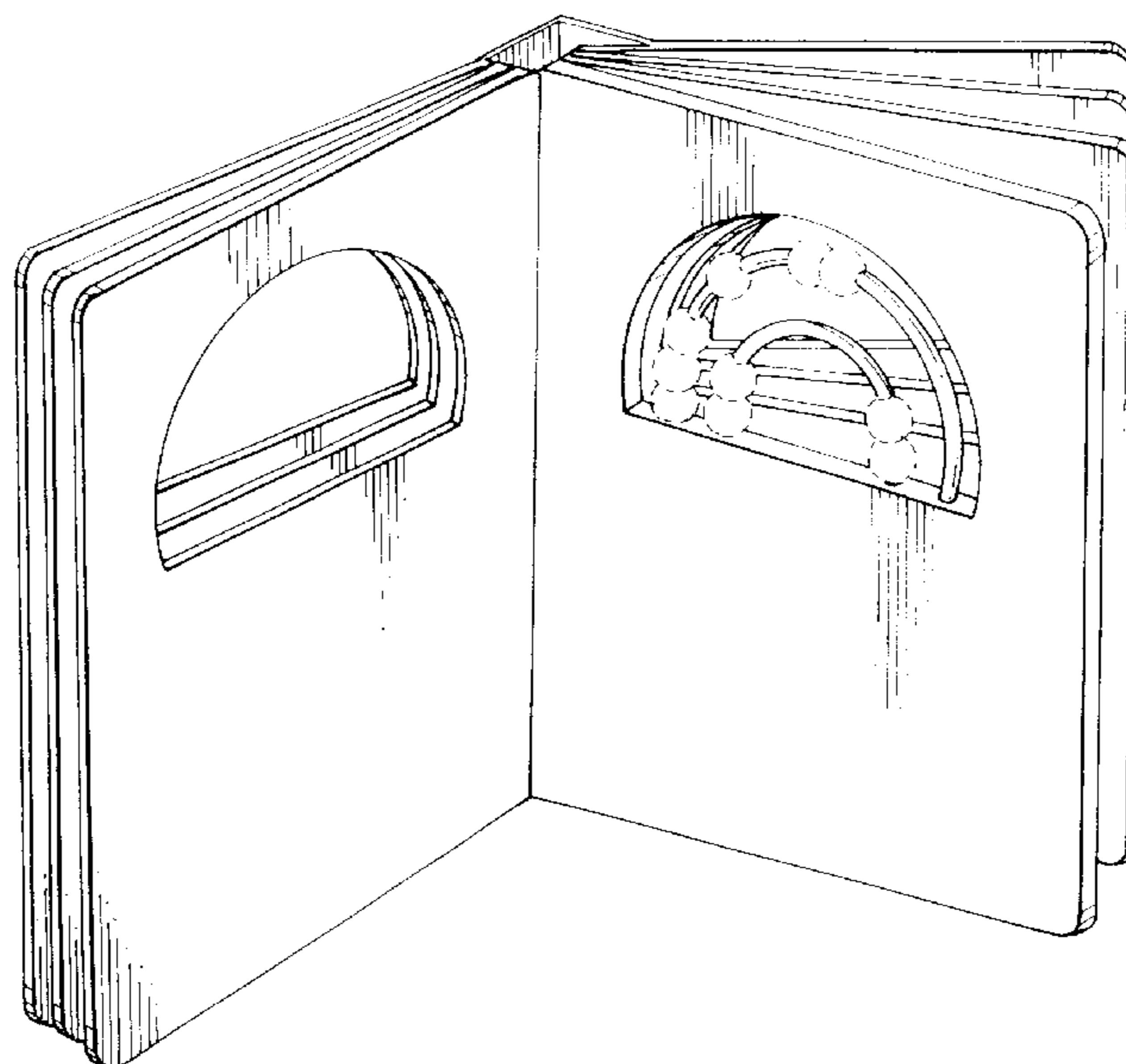
FIG. 5 is a left side view of the invention;

FIG. 6 is a top or bottom view of the invention; and,

FIG. 7 is a second perspective view of the invention with the book in an open position.

The broken lines defining the boundaries of the at least one moveable object are shown for illustrative purposes only and form no part of the claimed design.

1 Claim, 3 Drawing Sheets



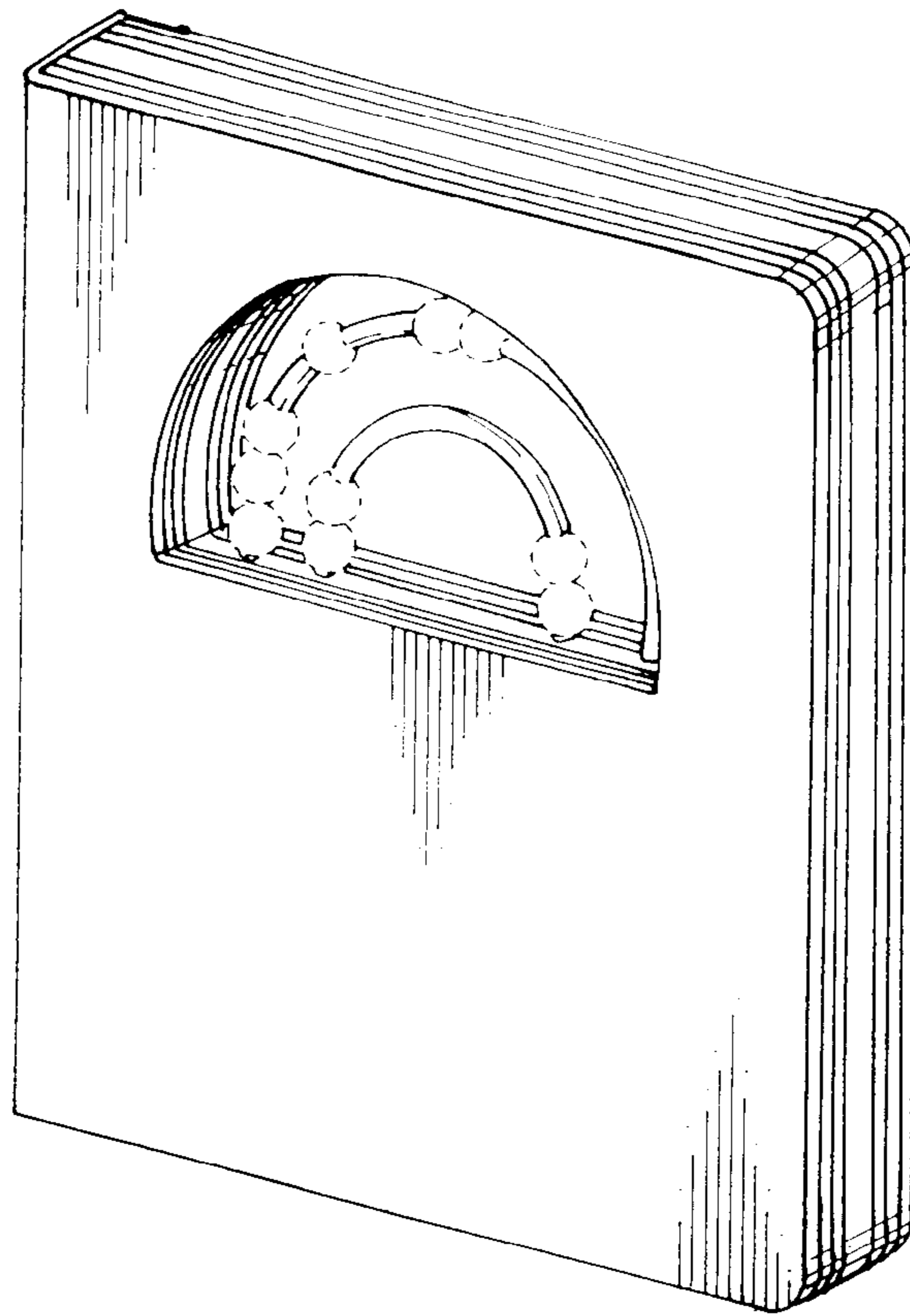


FIG. 1

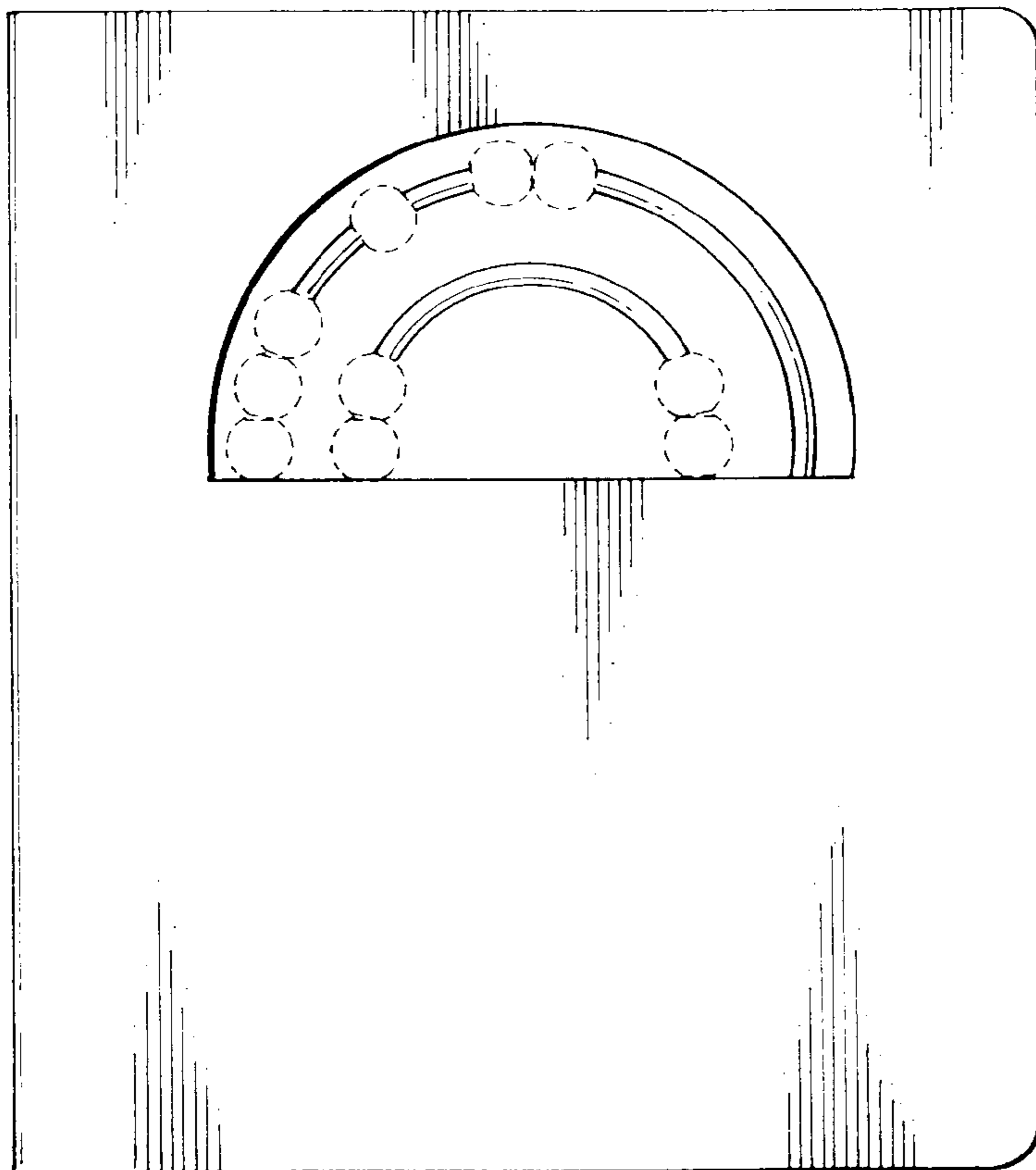


FIG. 2



FIG. 3

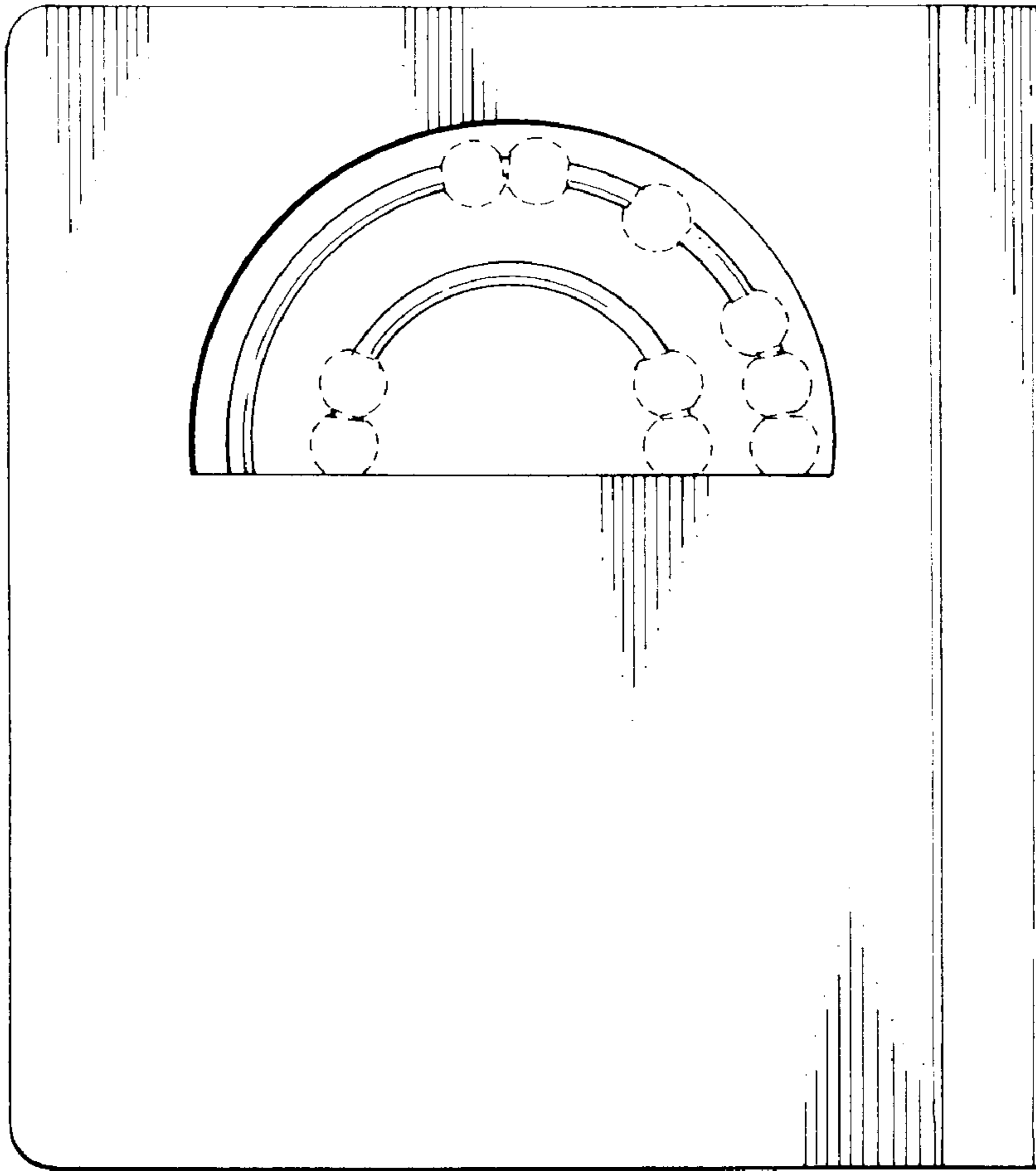


FIG. 4



FIG. 5

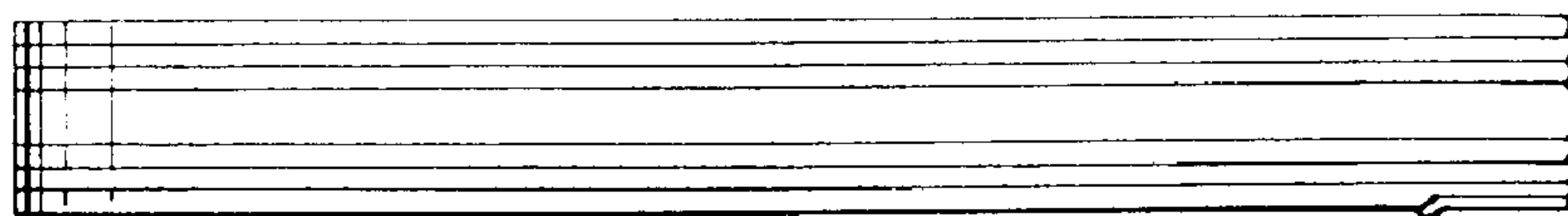


FIG. 6

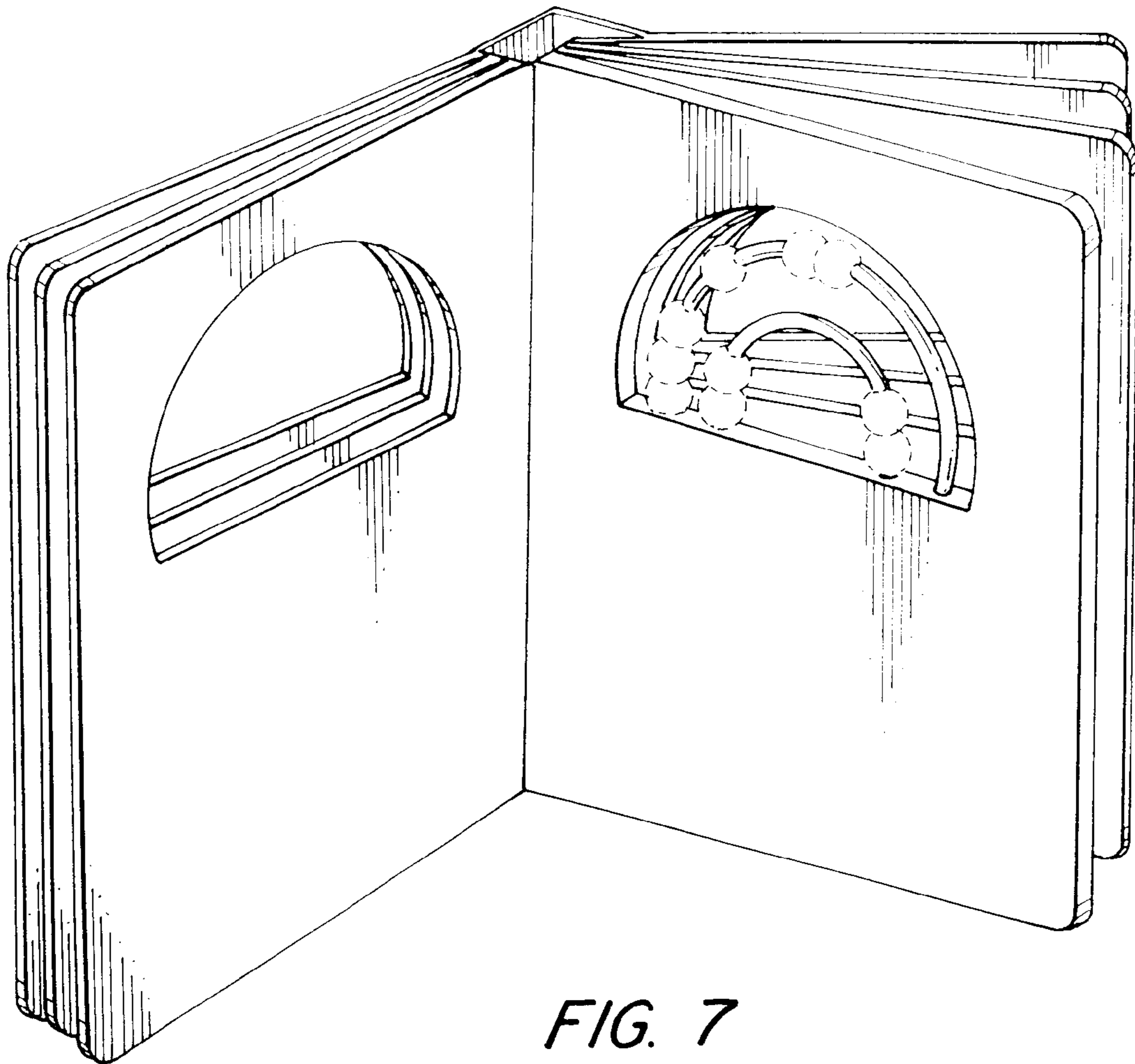


FIG. 7