



US00D515623S

(12) **United States Design Patent**
Hattori

(10) **Patent No.:** **US D515,623 S**

(45) **Date of Patent:** **** Feb. 21, 2006**

(54) **PRINTER WITH COPYING FUNCTION**

(75) Inventor: **Mitsuharu Hattori**, Nagoya (JP)

(73) Assignee: **Brother Industries, Ltd.**, Nagoya (JP)

(**) Term: **14 Years**

(21) Appl. No.: **29/222,007**

(22) Filed: **Jan. 26, 2005**

Related U.S. Application Data

(62) Division of application No. 29/185,590, filed on Jul. 1, 2003, now Pat. No. Des. 504,697.

(30) **Foreign Application Priority Data**

Jan. 8, 2003 (JP) 2003-000191

(51) **LOC (8) Cl.** **14-02**

(52) **U.S. Cl.** **D18/55; D18/36**

(58) **Field of Classification Search** D18/14,
D18/19, 21, 36-39, 53-54, 54.1, 55; D14/420-425,
D14/462-470; 400/613, 613.1-613.4, 690.1-690.4,
400/691-694

See application file for complete search history.

(56) **References Cited**

U.S. PATENT DOCUMENTS

D323,159 S 1/1992 Iwasaki et al.

D368,259 S 3/1996 Bishop et al.
D398,917 S 9/1998 Senshiki
D434,045 S 11/2000 Nakamura
D452,510 S 12/2001 Irvine et al.
D471,202 S 3/2003 Shimamura
D491,576 S * 6/2004 Yamaguchi D14/468

* cited by examiner

Primary Examiner—Cathy Anne MacCormac
(74) *Attorney, Agent, or Firm*—Oliff & Berridge, PLC

(57) **CLAIM**

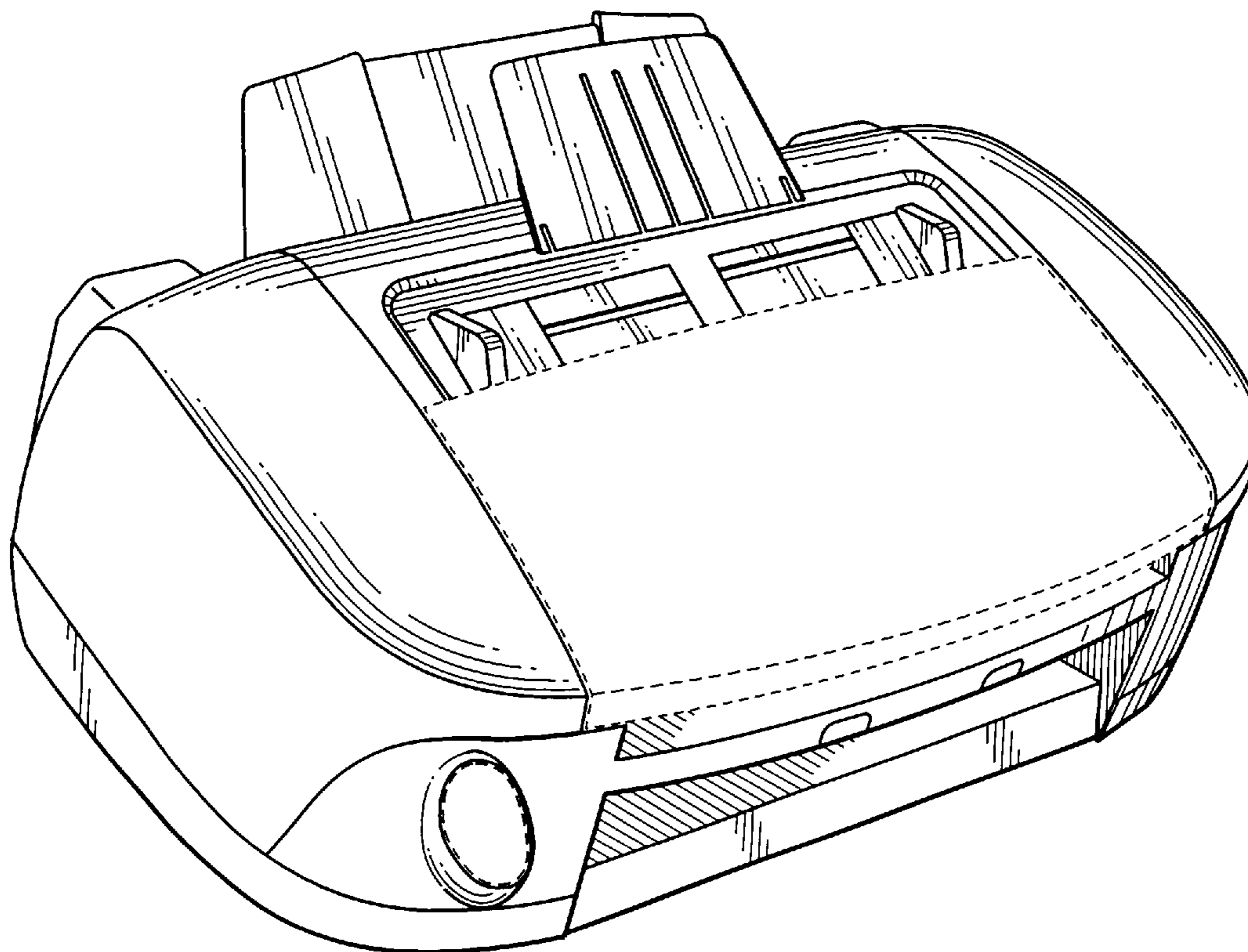
The ornamental design for printer with copying function, as shown and described.

DESCRIPTION

FIG. 1 is a front view of a printer with copying function; FIG. 2 is a rear view thereof; FIG. 3 is a left-side view thereof; FIG. 4 is a right-side view thereof; FIG. 5 is a top view thereof; FIG. 6 is a bottom view thereof; and, FIG. 7 is a perspective view thereof.

The broken lines are for illustrative purposes only and form no part of the claimed design.

1 Claim, 4 Drawing Sheets



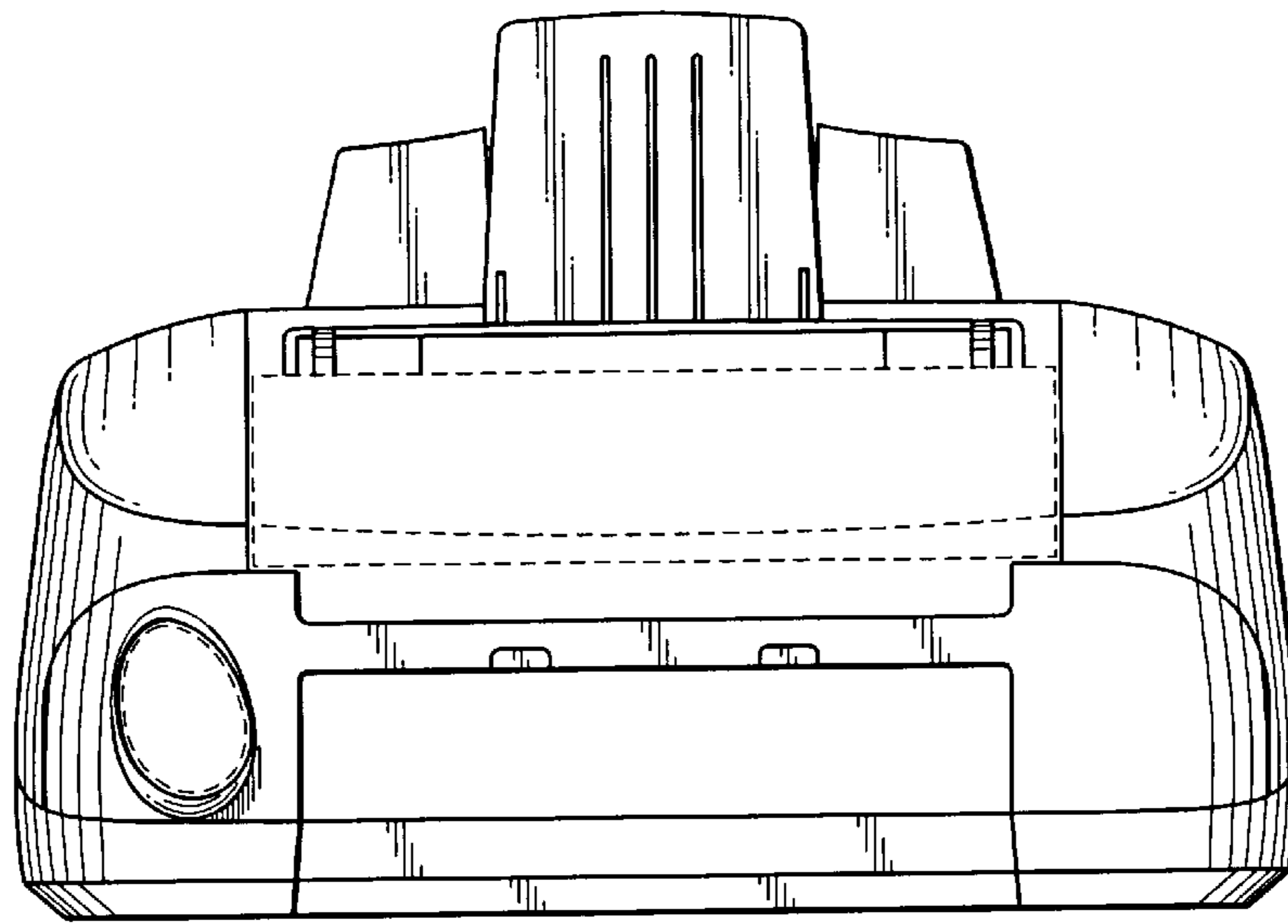


Fig. 1

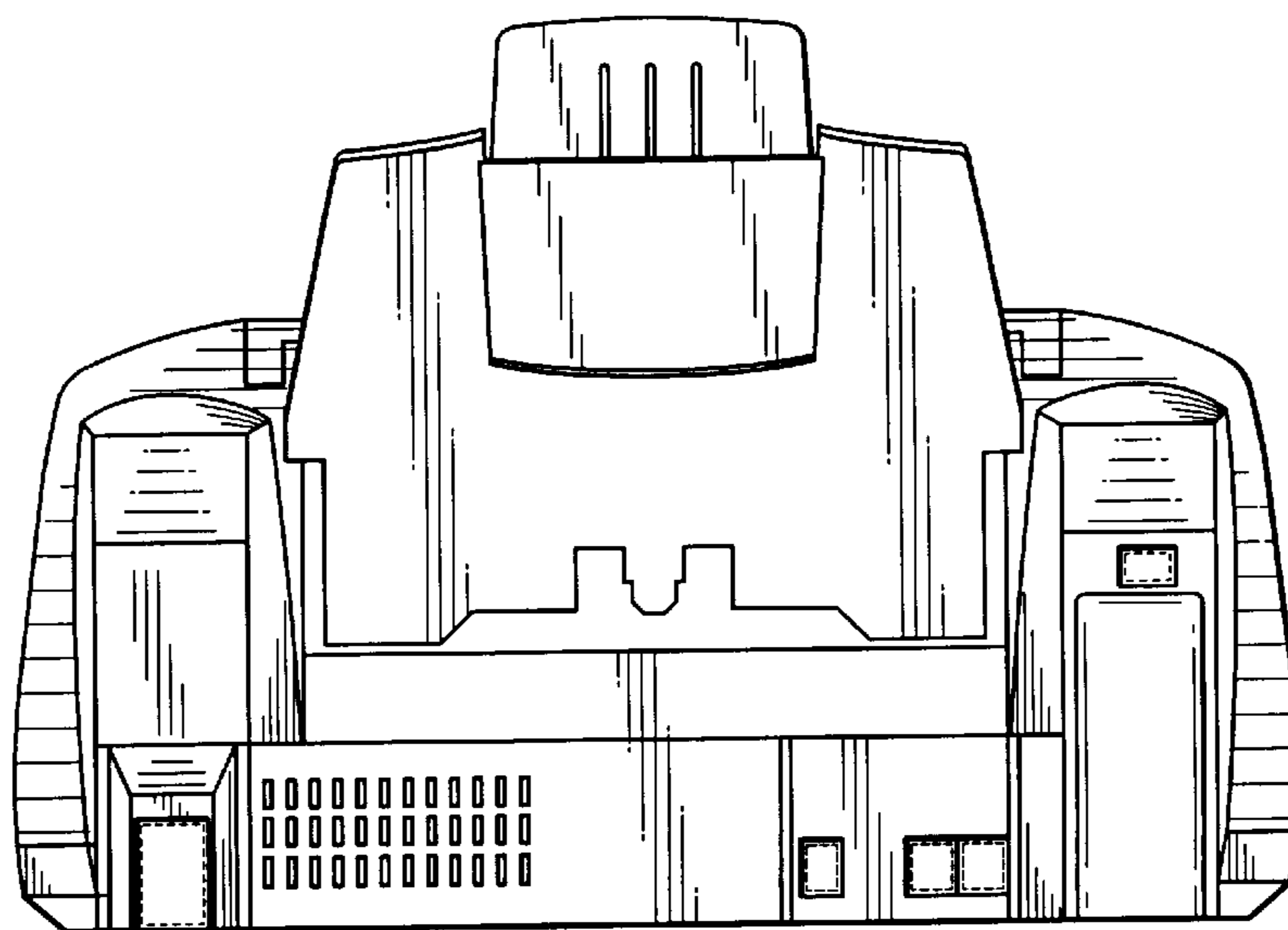


Fig. 2

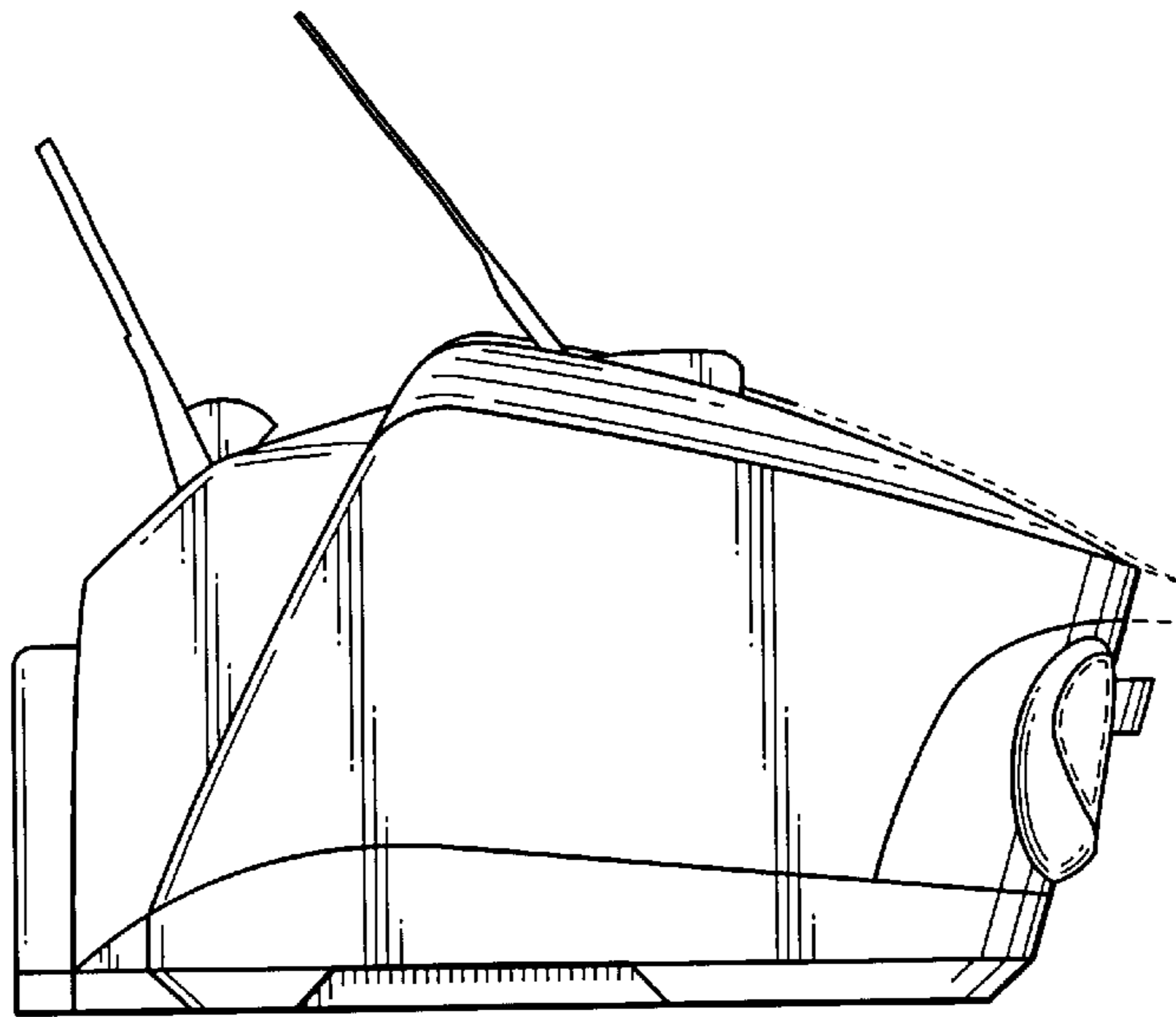


Fig. 3

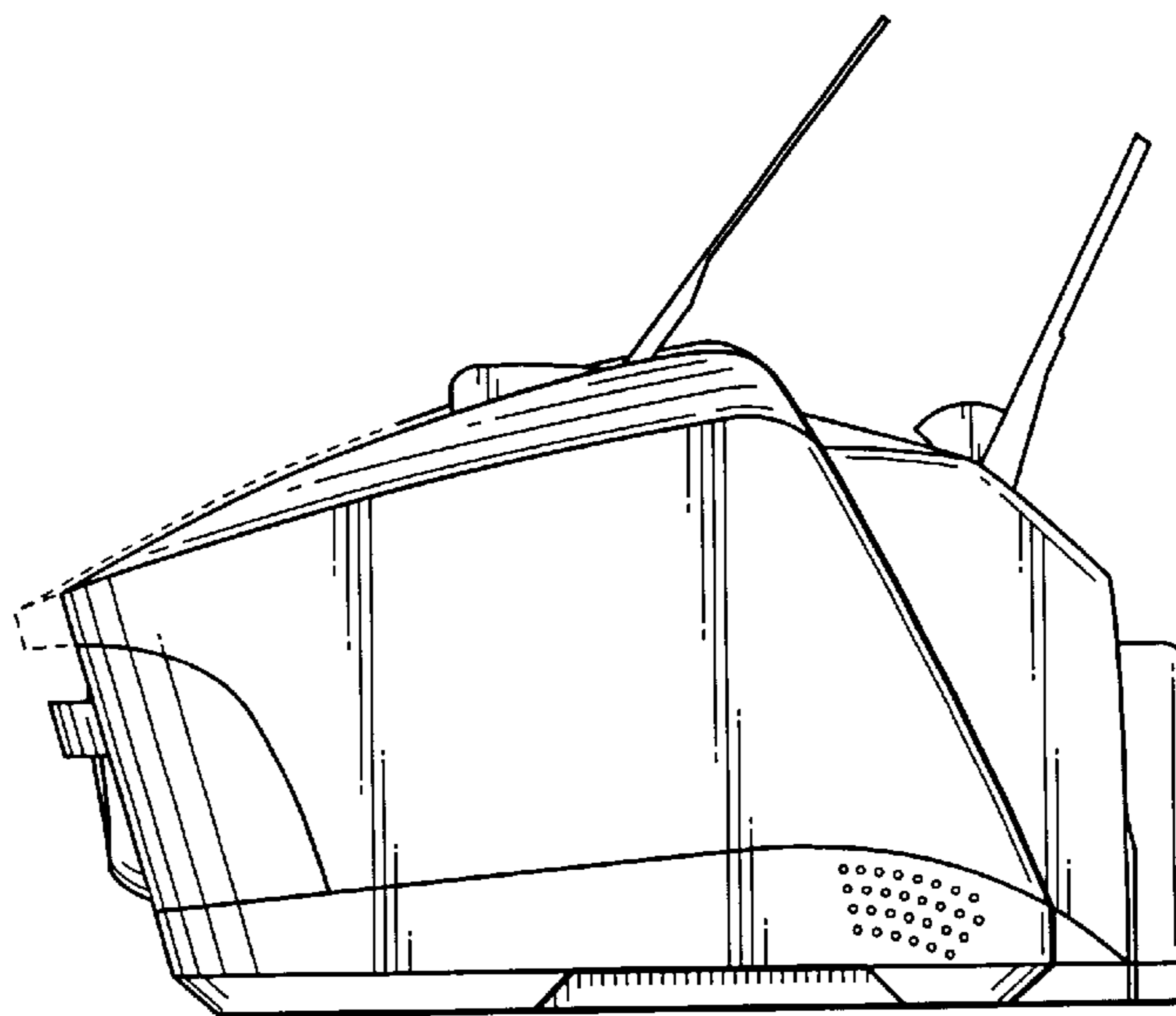


Fig. 4

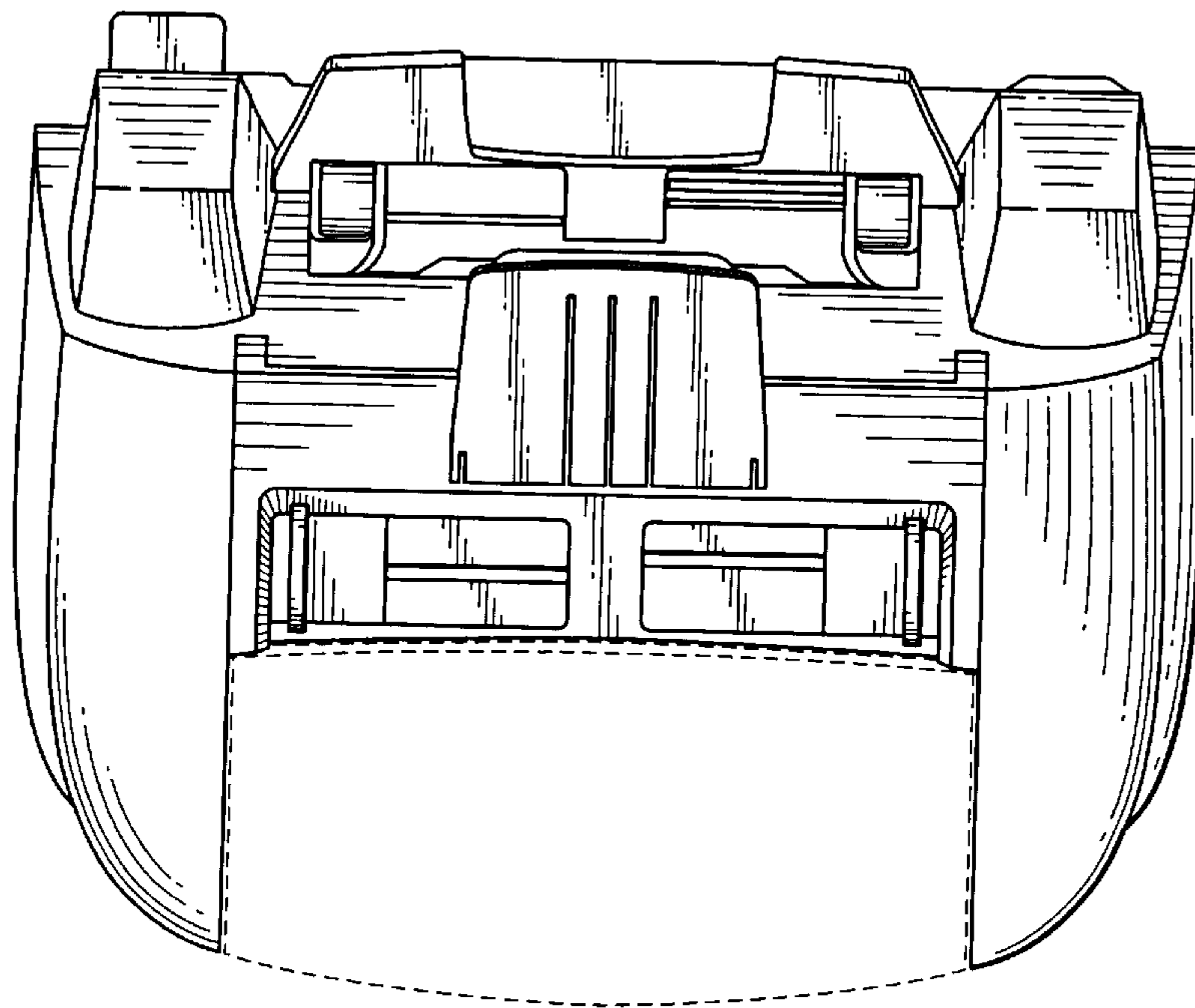


Fig. 5

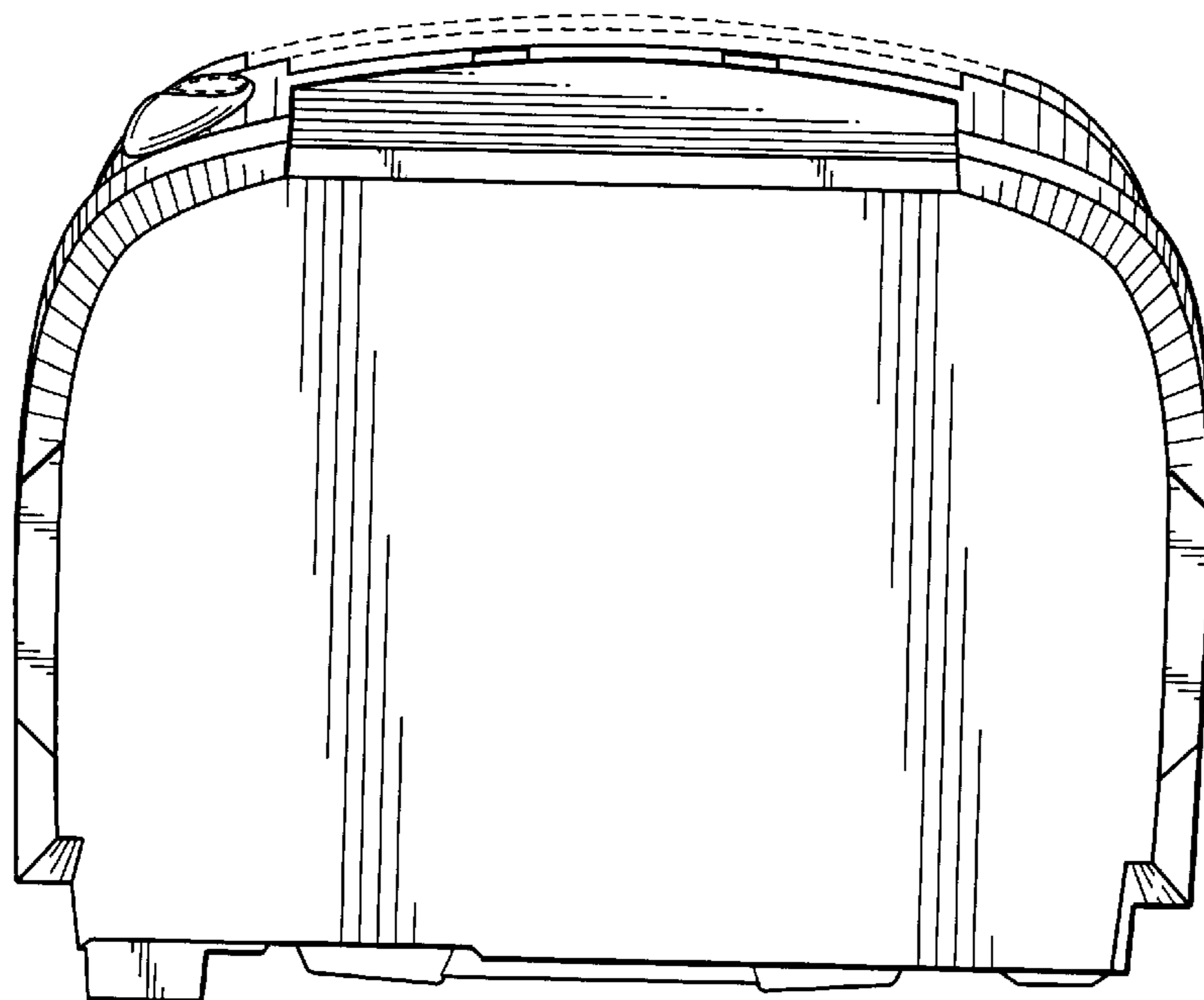


Fig. 6

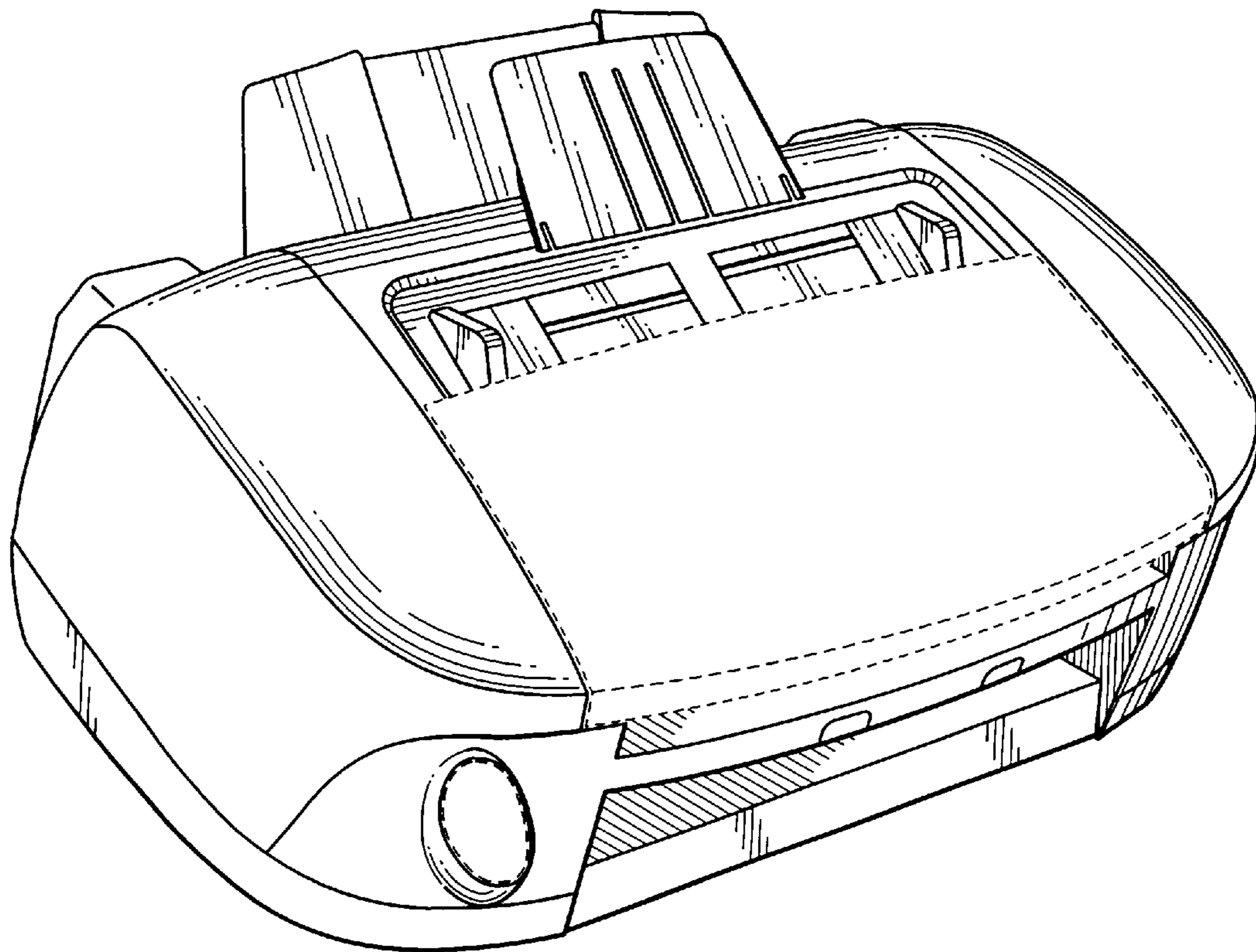


Fig. 7