



US00D515620S

(12) **United States Design Patent**
Lien

(10) **Patent No.:** **US D515,620 S**

(45) **Date of Patent:** **** Feb. 21, 2006**

(54) **INK PAD ASSEMBLY**

(75) **Inventor:** **Yun Dien Lien, Keelung (TW)**

(73) **Assignee:** **Yi Yao Co., Ltd., Keelung (TW)**

(**) **Term:** **14 Years**

(21) **Appl. No.:** **29/226,239**

(22) **Filed:** **Mar. 28, 2005**

(30) **Foreign Application Priority Data**

Nov. 2, 2004 (CN) 2004200945968
Mar. 8, 2005 (TW) 94301241

(51) **LOC (8) Cl.** **18-02**

(52) **U.S. Cl.** **D18/17**

(58) **Field of Classification Search** D18/17,
D18/15, 50; 101/333, 327, 229; D28/82,
D28/61; D9/721; D3/294; 206/229, 349;
118/264, 268

See application file for complete search history.

(56) **References Cited**

U.S. PATENT DOCUMENTS

D115,959 S * 8/1939 Gaige D28/82
D223,056 S * 3/1972 Majewski D18/17

D228,157 S * 8/1973 Sussman D28/82
4,375,191 A * 3/1983 Dickey 101/333
5,505,130 A * 4/1996 Winston 101/333
D372,341 S * 7/1996 Arntsen D28/82
D381,038 S * 7/1997 Yasoshima D18/15
D389,509 S * 1/1998 Yasoshima D18/17
D427,624 S * 7/2000 Yasohima D18/17
D482,497 S * 11/2003 Mansau et al. D28/82

* cited by examiner

Primary Examiner—Charles A. Rademaker

(74) *Attorney, Agent, or Firm*—Bacon & Thomas PLLC

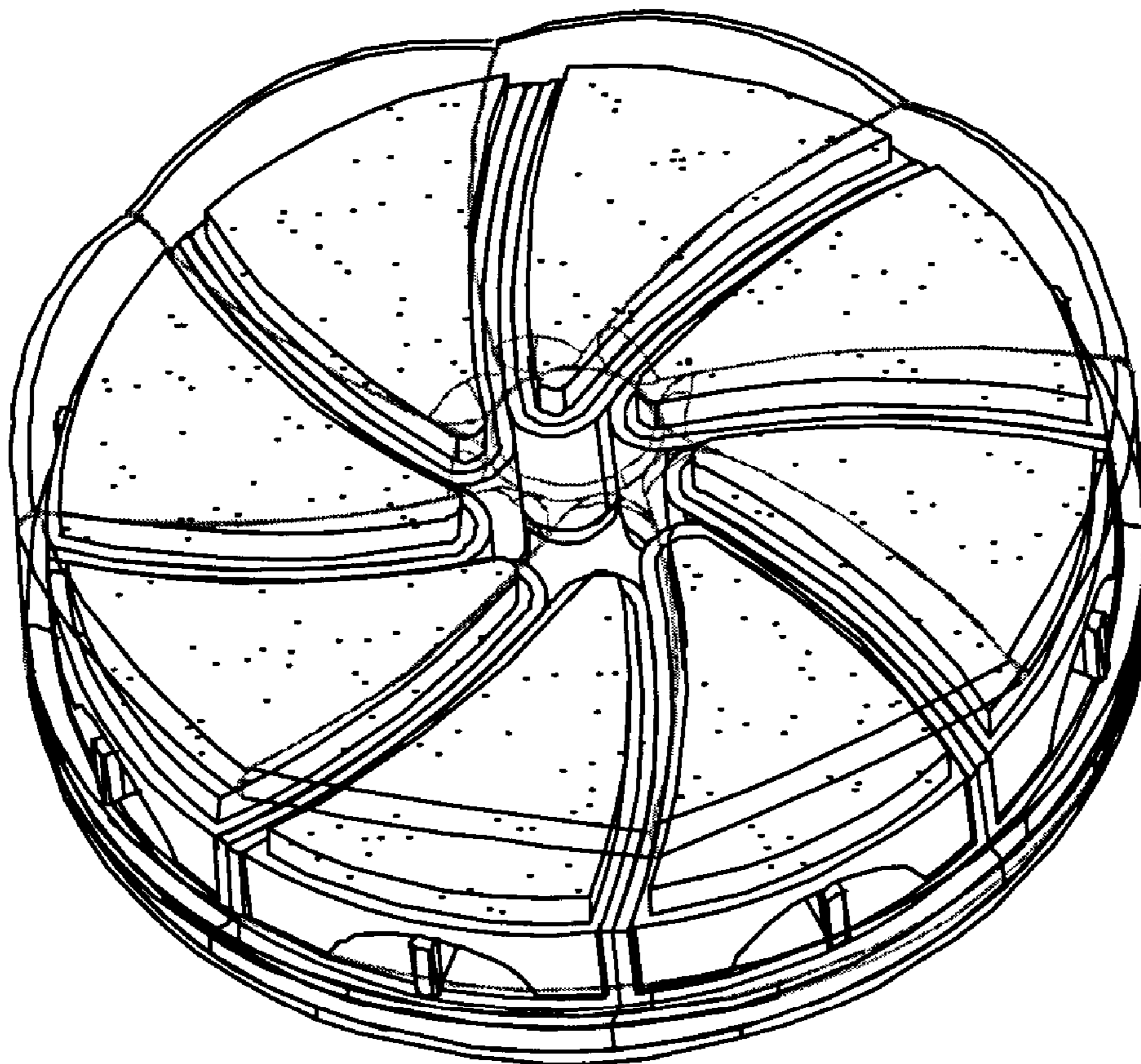
(57) **CLAIM**

The ornamental design for an ink pad assembly, as shown and described.

DESCRIPTION

FIG. 1 is a top perspective view of an ink pad assembly showing my new design;
FIG. 2 is a top plan view thereof drawn on a slightly reduced scale;
FIG. 3 is a bottom plan view thereof;
FIG. 4 is a side elevation thereof; and,
FIG. 5 is another top perspective view thereof shown in an open condition.

1 Claim, 2 Drawing Sheets



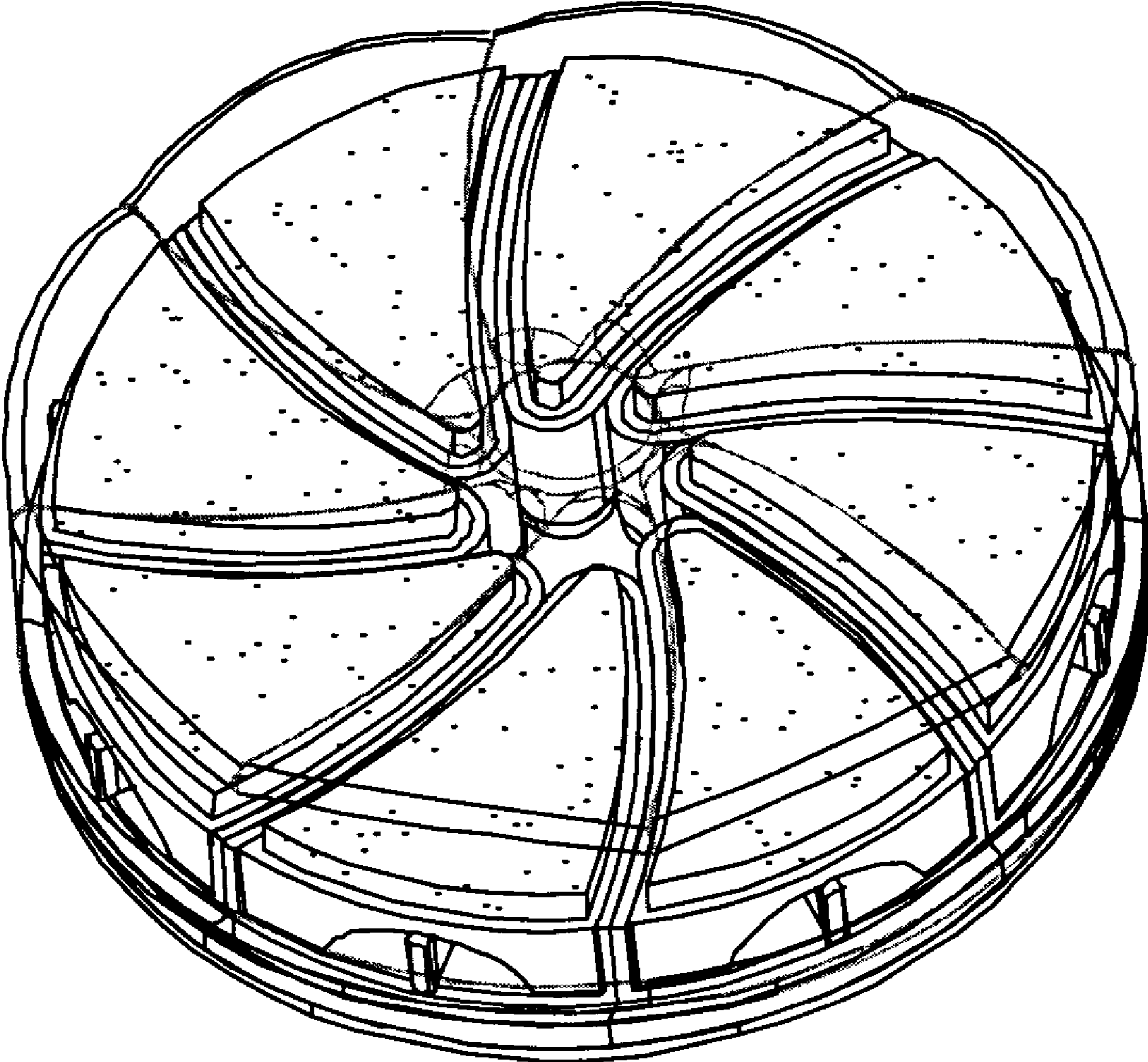


FIG. 1

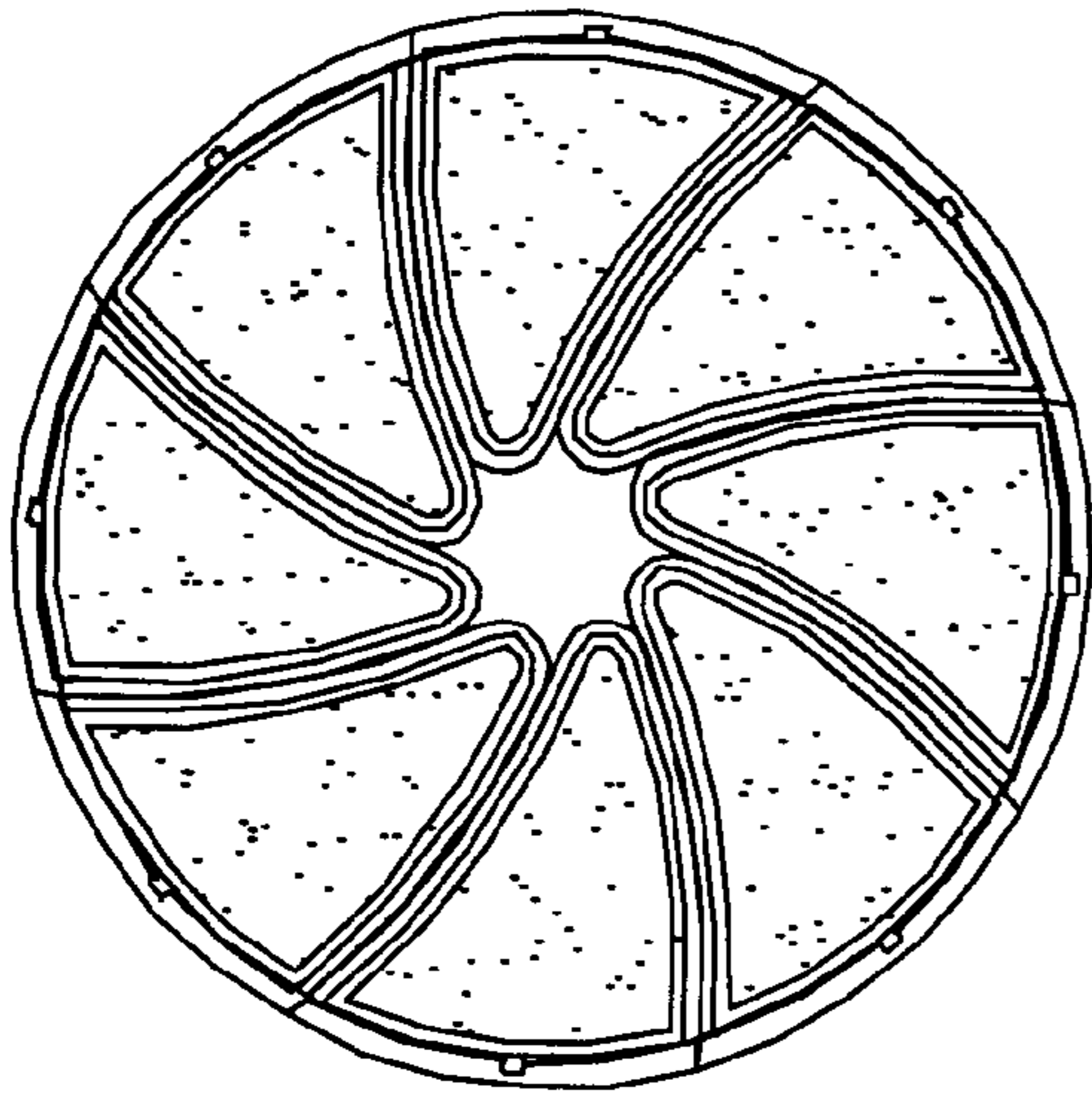


FIG. 2

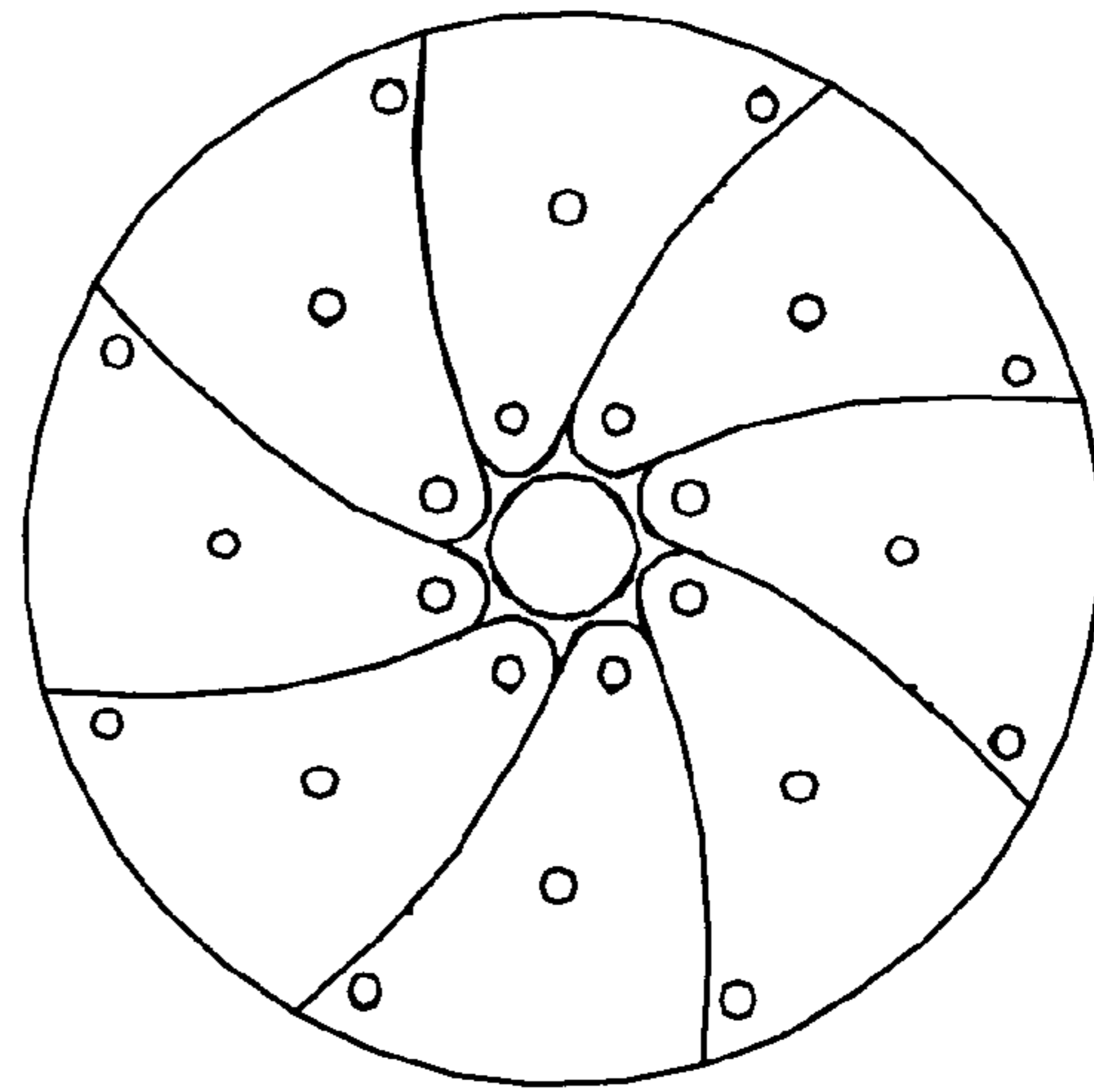


FIG. 3

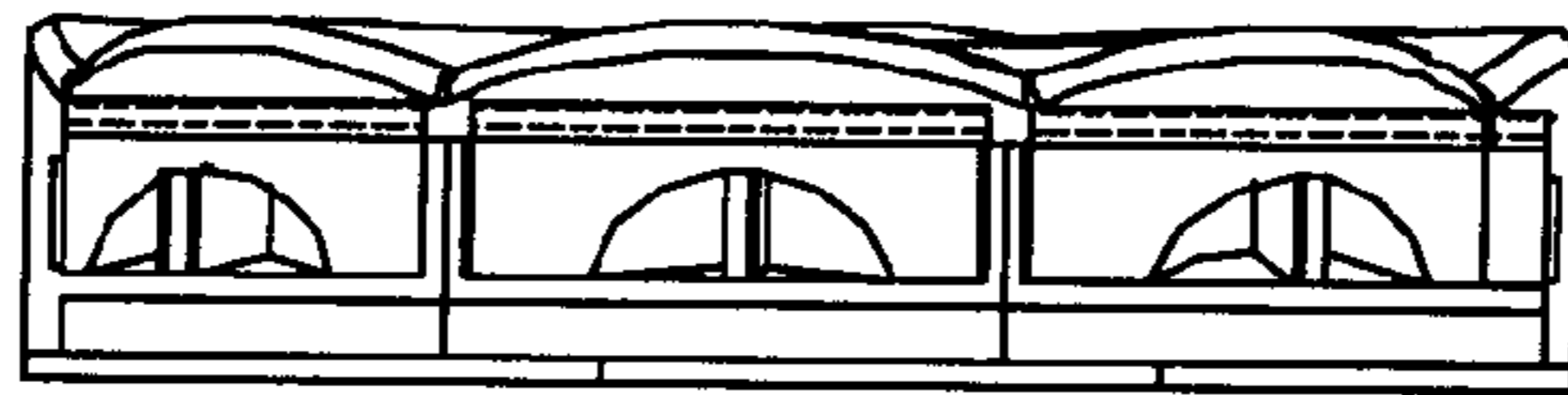


FIG. 4

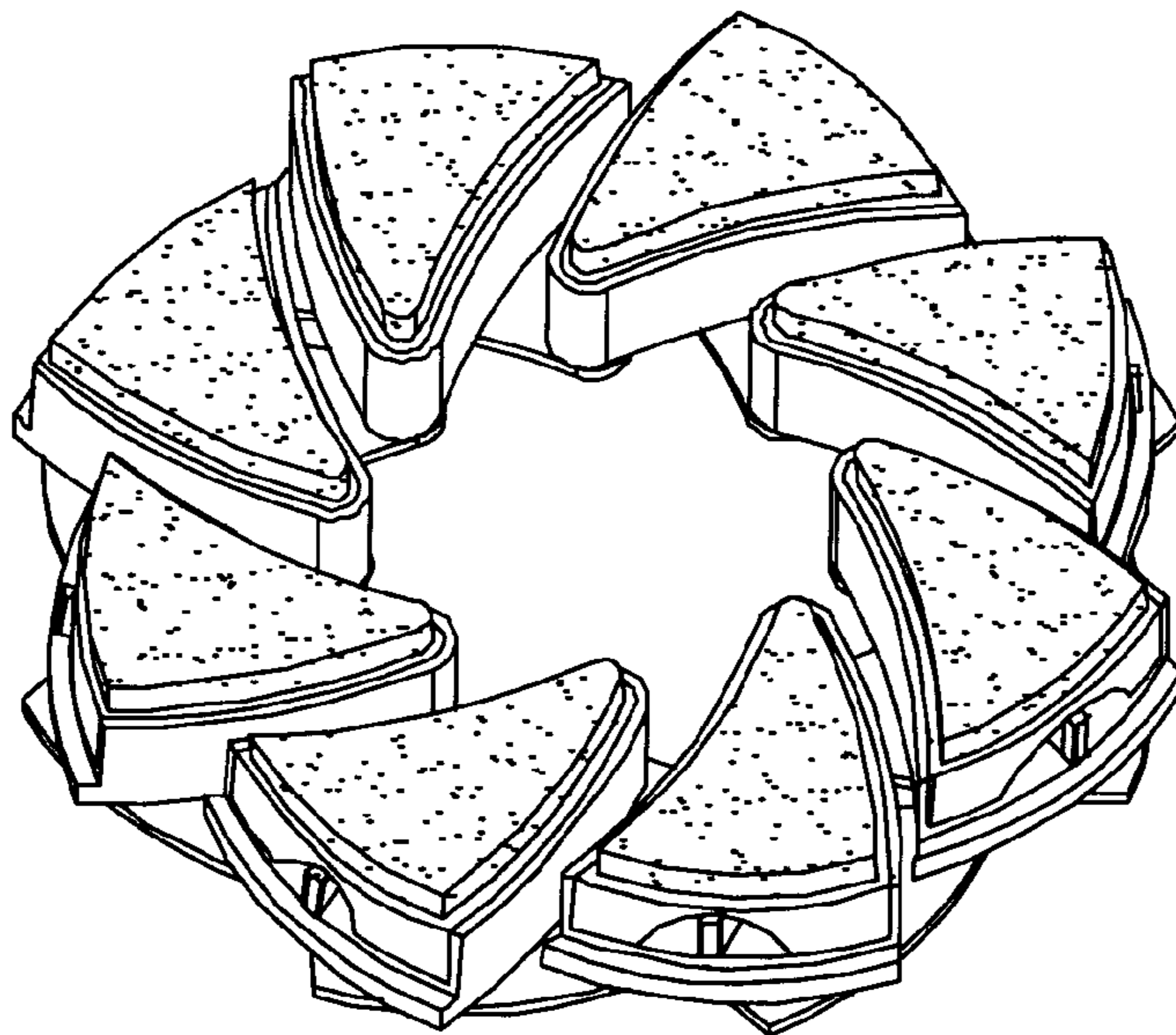


FIG. 5