



US00D515619S

(12) **United States Design Patent**
Magee et al.

(10) **Patent No.:** **US D515,619 S**

(45) **Date of Patent:** **** Feb. 21, 2006**

(54) **PAIR OF ENCLOSURE DOORS**

(75) Inventors: **Paul D. Magee**, North Canton, OH (US); **Donald S. Nelson, Jr.**, Akron, OH (US); **David A. Barker**, North Canton, OH (US); **Kevin Liesner**, Massillon, OH (US); **Phil Hlas**, Cuyahoga Falls, OH (US); **Wes Rinker**, Cortland, OH (US); **Jeff Walker**, Canton, OH (US)

(73) Assignee: **Diebold Election Systems, Inc.**, McKinney, TX (US)

(**) Term: **14 Years**

(21) Appl. No.: **29/209,579**

(22) Filed: **Jul. 15, 2004**

(51) **LOC (8) Cl.** **18-01**

(52) **U.S. Cl.** **D18/6; D6/492**

(58) **Field of Classification Search** D18/1, D18/2, 6, 7; 235/51-56, 386; D14/371; D6/421, D6/429, 432, 454, 491-494, 509; 312/194-196, 312/140.2, 203, 223, 239, 258, 259
See application file for complete search history.

(56) **References Cited**

U.S. PATENT DOCUMENTS

3,333,766 A * 8/1967 Crossland et al. 235/50 A

4,445,731 A * 5/1984 Ahmann 312/258
4,649,264 A * 3/1987 Carson 235/54 R
D429,097 S * 8/2000 Alcala et al. D6/492
D474,467 S * 5/2003 Zuege et al. D14/371
D475,219 S * 6/2003 McClure et al. D6/421
6,827,262 B2 * 12/2004 McClure et al. 235/386

* cited by examiner

Primary Examiner—Caron D. Veynar

(74) *Attorney, Agent, or Firm*—Ralph E. Jocke; Nancy Lynn Reeves; Walker & Jocke

(57) **CLAIM**

The ornamental design for a pair of enclosure doors, as shown and described.

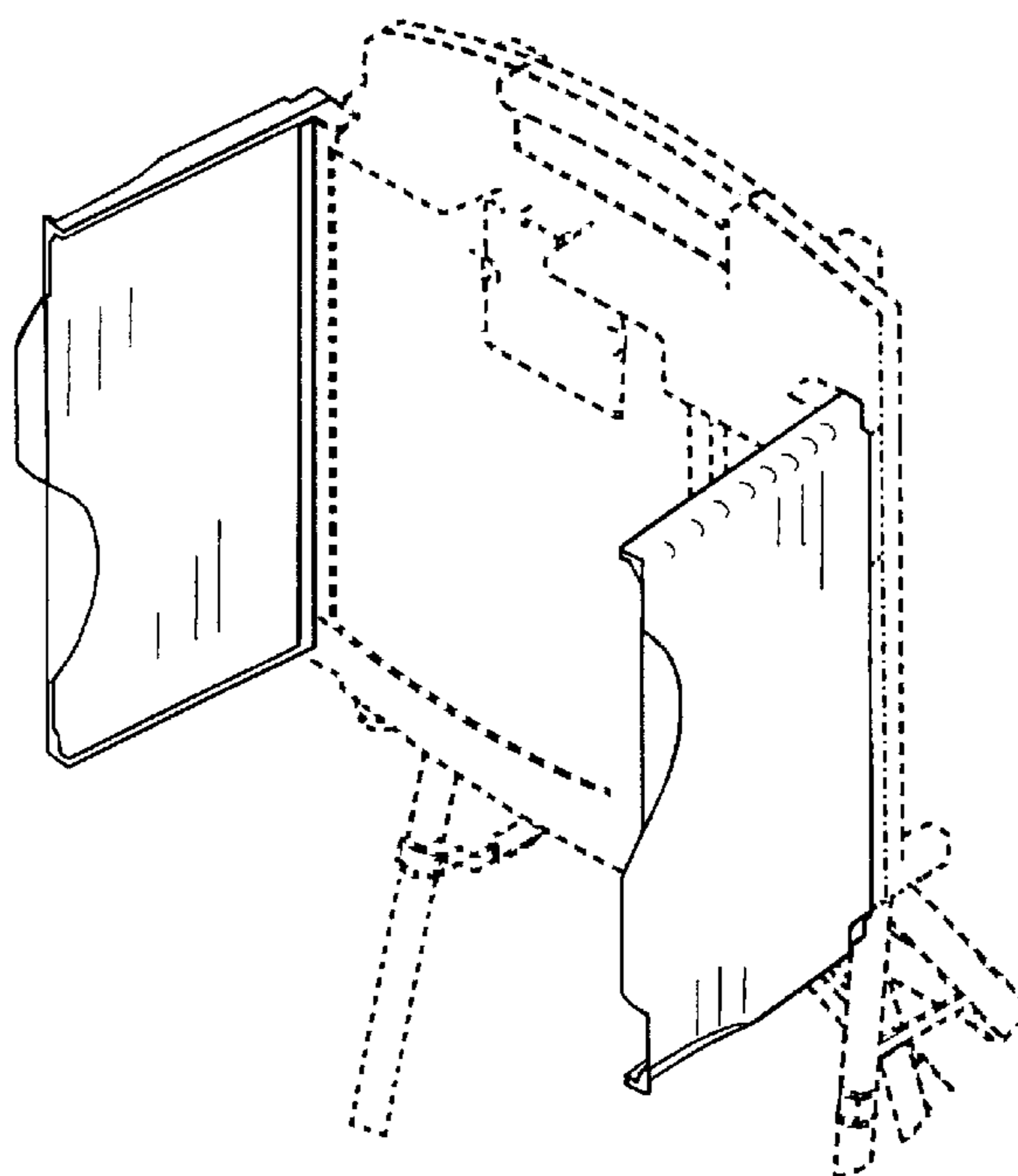
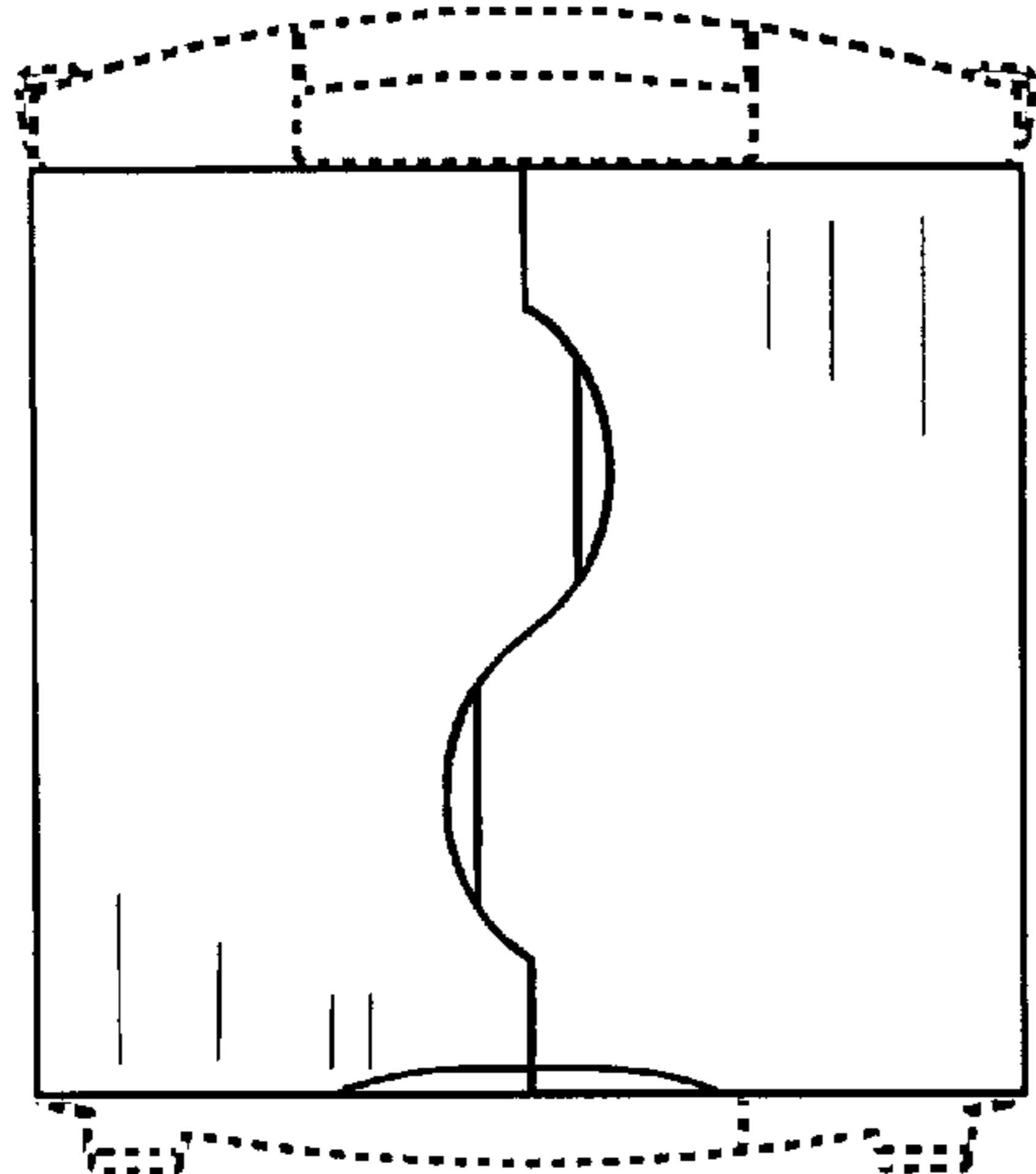
DESCRIPTION

FIG. 1 is a front elevation view of a pair of enclosure doors showing our new design; and,

FIG. 2 is a front perspective view thereof, showing the doors in an open position.

The broken lines showing the voting terminal housing is for illustrative purposes only and forms no part of the claimed design.

1 Claim, 2 Drawing Sheets



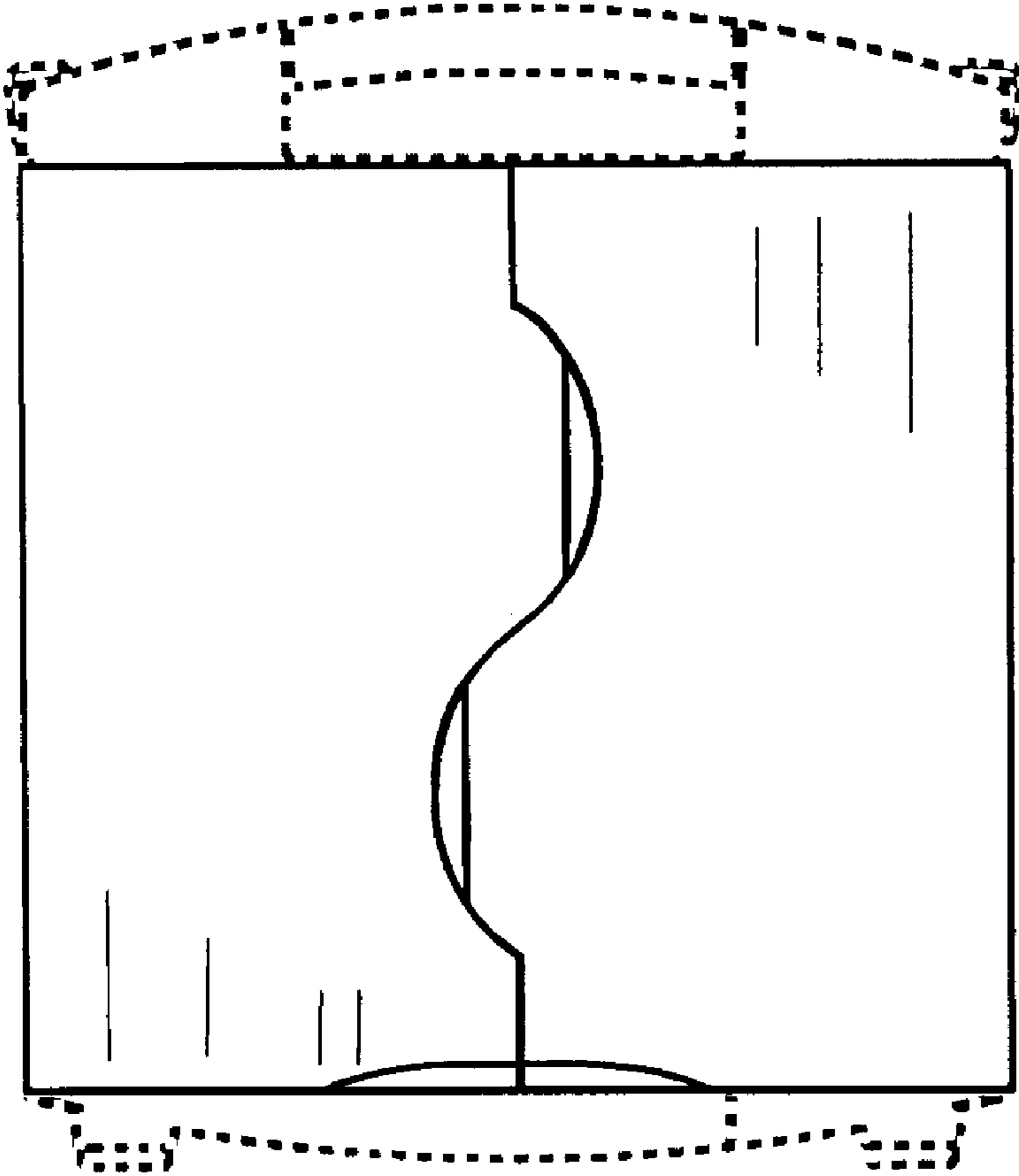


FIG. 1

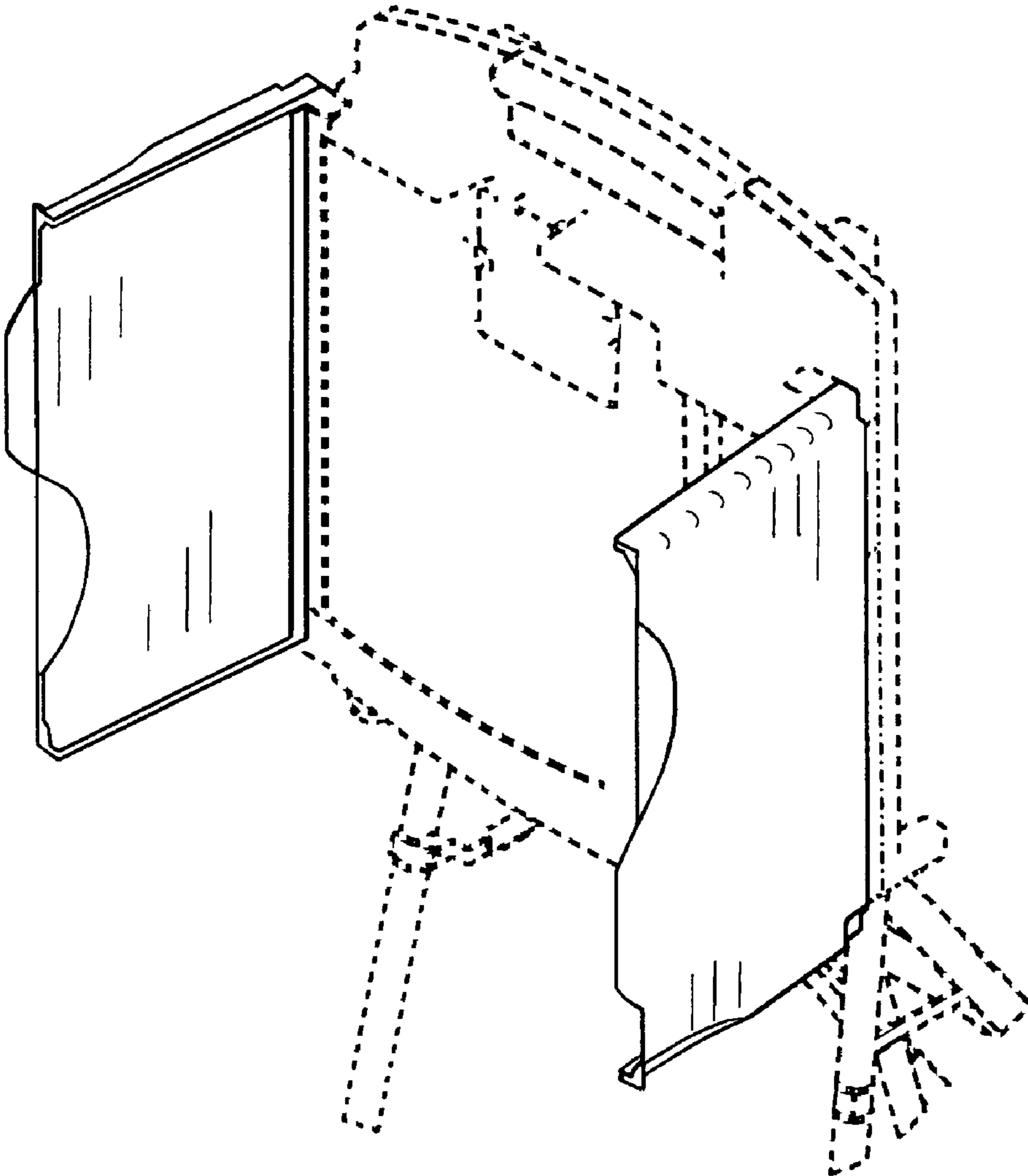


FIG. 2