



US00D515614S

(12) **United States Design Patent**
Speggiorin

(10) **Patent No.:** **US D515,614 S**

(45) **Date of Patent:** **** Feb. 21, 2006**

(54) **HEAD TO RAPIDLY ORIENT OPTICAL OR PHOTOGRAPHIC APPARATUS AND THE LIKE**

2,717,138 A * 9/1955 Sheehan 248/183.2
4,326,688 A * 4/1982 Posso 248/183.2
D327,085 S * 6/1992 Miyauchi D16/245
D349,916 S * 8/1994 Chen D16/243

(75) Inventor: **Paolo Speggiorin**, Mussolente (IT)

* cited by examiner

(73) Assignee: **Lino Manfrotto + Co. S.p.A.**, Bassano del Grappa (IT)

Primary Examiner—Adir Aronovich

(74) *Attorney, Agent, or Firm*—RatnerPrestia

(**) Term: **14 Years**

(57) **CLAIM**

(21) Appl. No.: **29/187,241**

The ornamental design for a head to rapidly orient optical or photographic apparatus and the like, substantially as shown and described.

(22) Filed: **Jul. 29, 2003**

(30) **Foreign Application Priority Data**

DESCRIPTION

Jan. 30, 2003 (IT) PD2003O0007

FIG. 1 is a perspective view of a head to rapidly orient optical or photographic apparatus and the like according to the present invention;

(51) **LOC (8) Cl.** **16-05**

FIG. 2 is a rear view of the head shown in FIG. 1;

(52) **U.S. Cl.** **D16/243; D16/245**

FIG. 3 is a front view of the head shown in FIG. 1;

(58) **Field of Classification Search** D16/237,

FIG. 4 is a first side of the head shown in FIG. 1 with the handle in a tilted position;

D16/242, 243–245; 224/908; 248/178.1,

FIG. 5 is a bottom view of the head shown in FIG. 1;

248/187.1, 183.2; 348/373; 396/419, 428

FIG. 6 is a second side view of the head shown in FIG. 1 with the handle in a tilted position;

See application file for complete search history.

FIG. 7 is a top view of the head shown in FIG. 1.

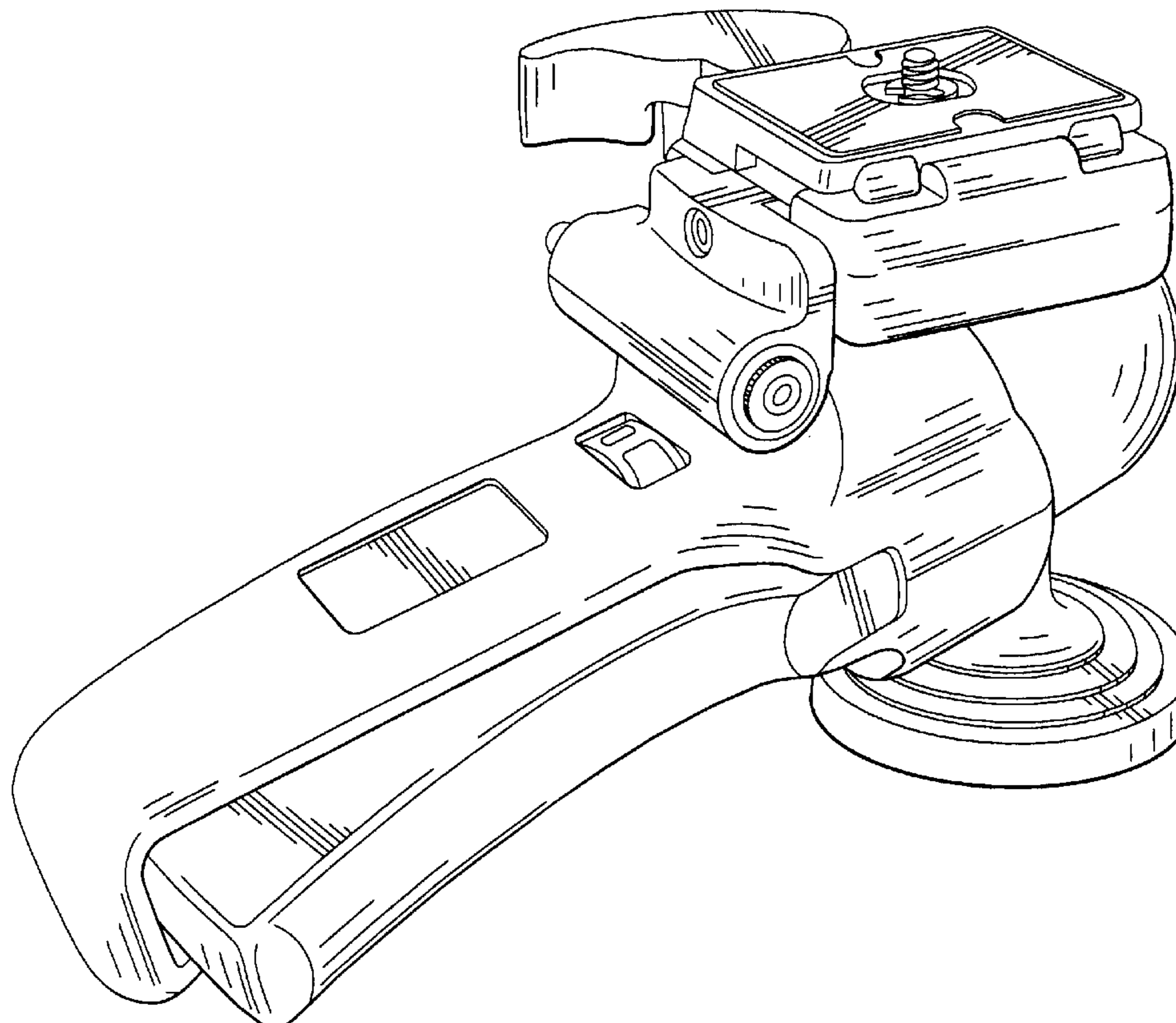
(56) **References Cited**

U.S. PATENT DOCUMENTS

1 Claim, 4 Drawing Sheets

D152,247 S * 1/1949 Flesh D16/245

D160,136 S * 9/1950 Welt D16/245



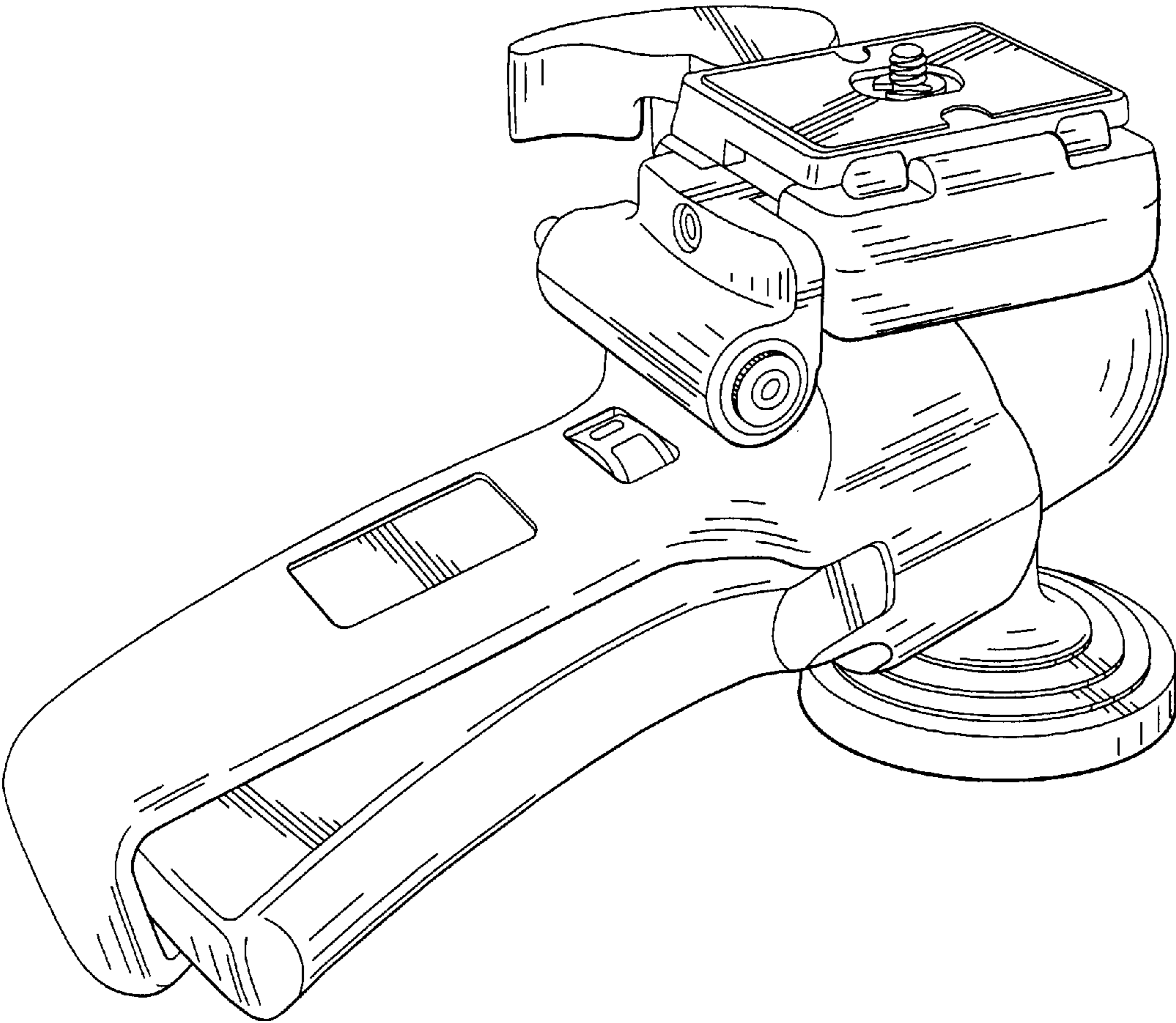


FIG. 1

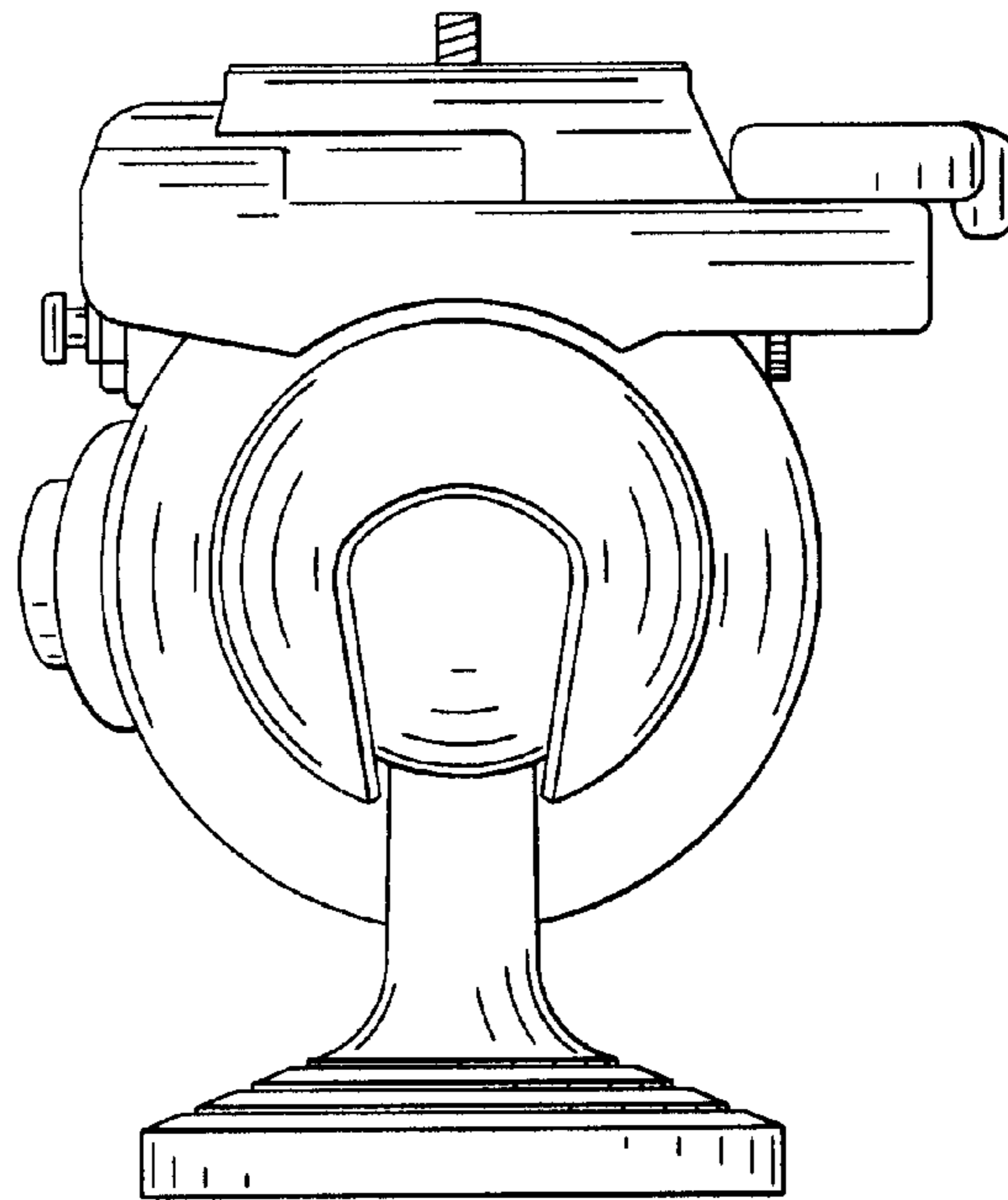


FIG. 2

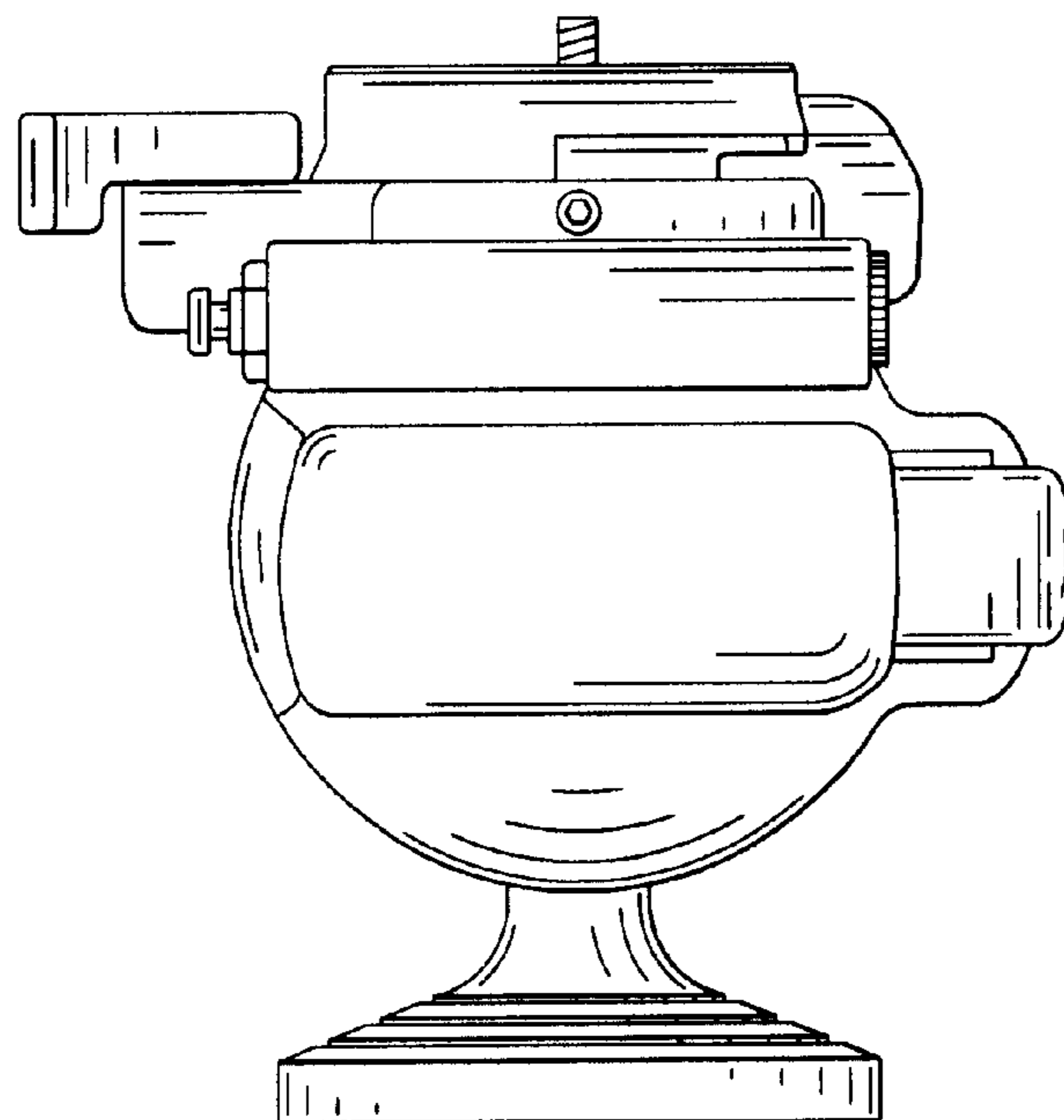


FIG. 3

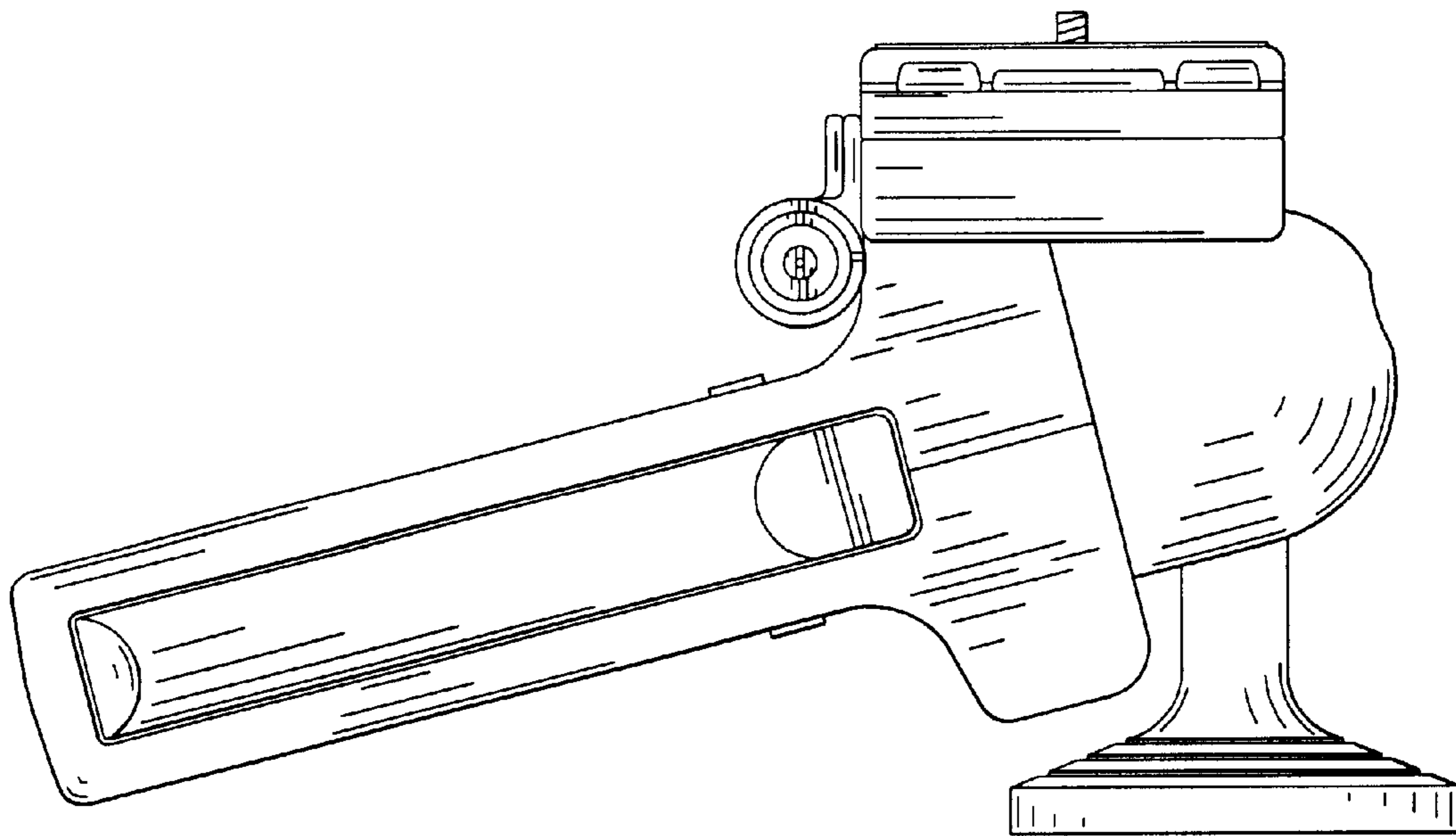


FIG. 4

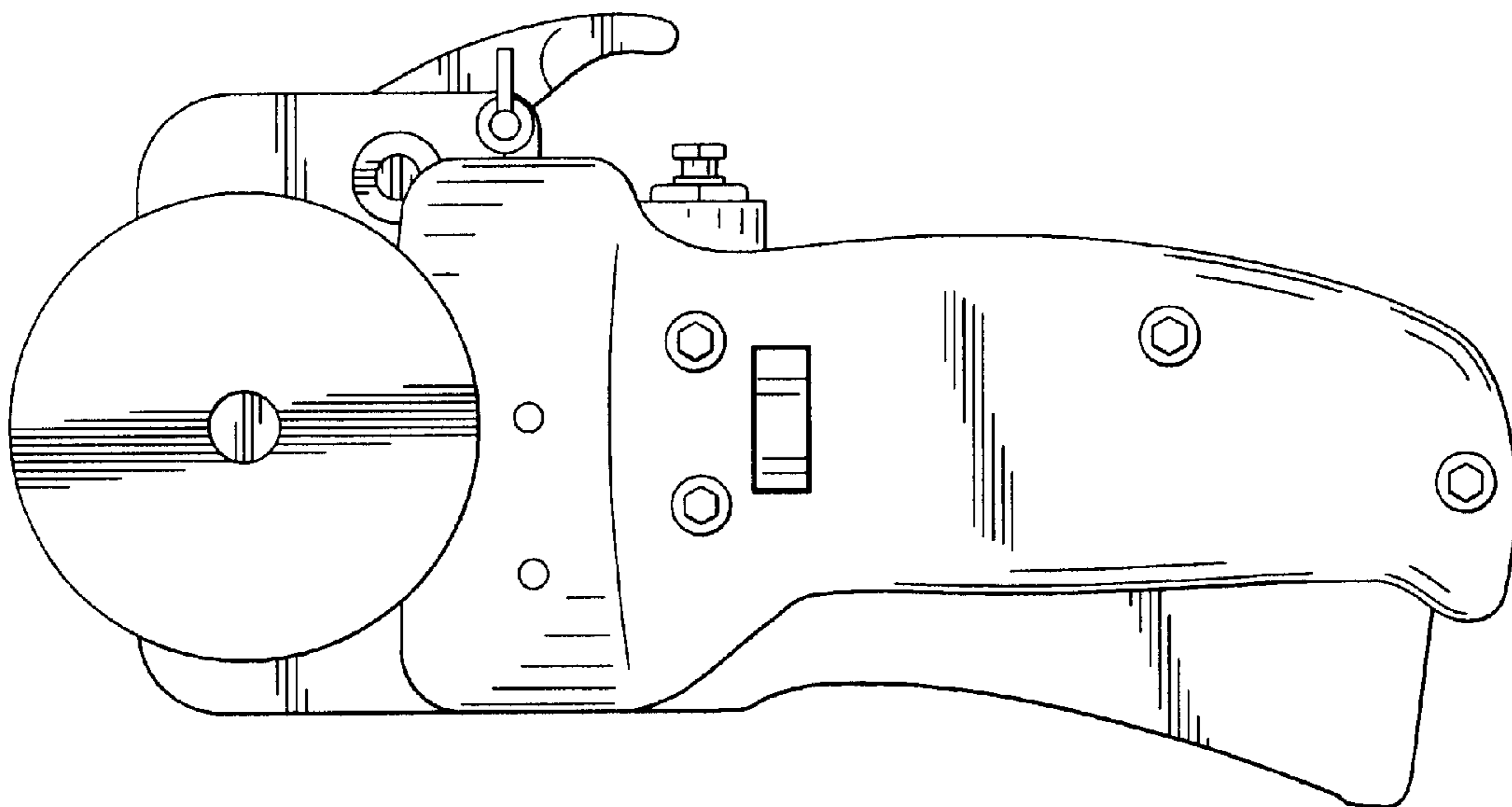


FIG. 5

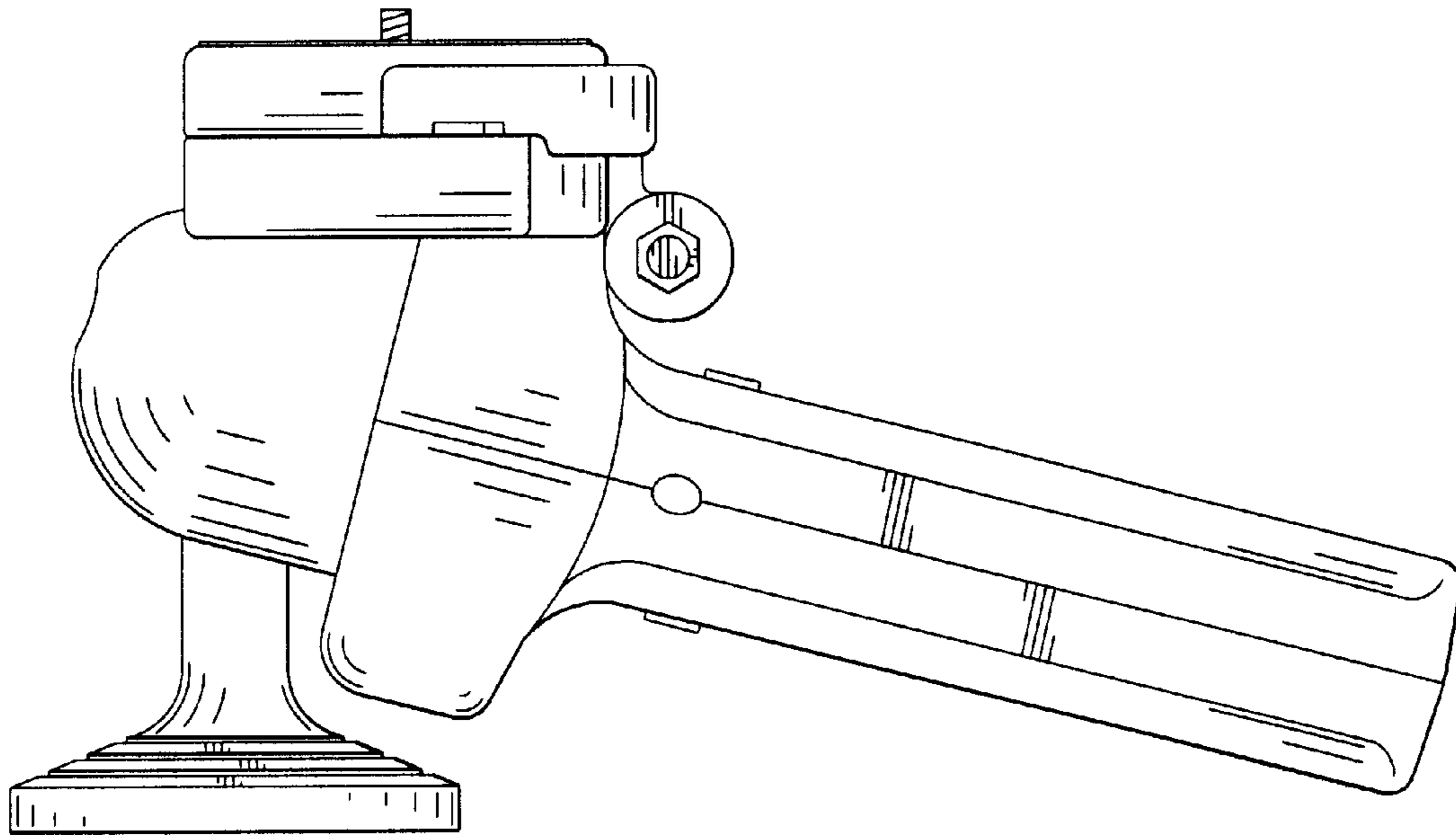


FIG. 6

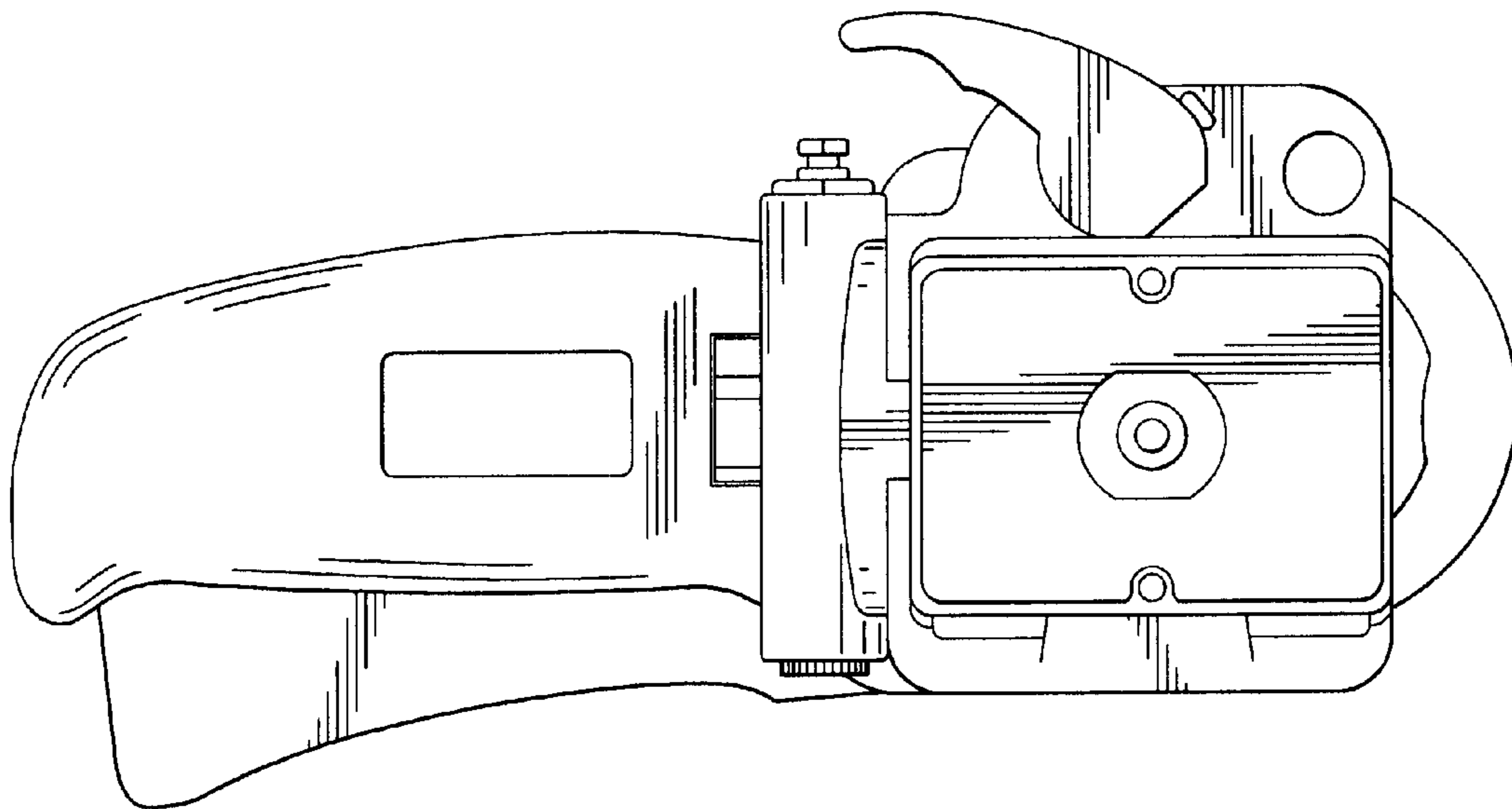


FIG. 7