



US00D515613S

(12) **United States Design Patent** (10) **Patent No.:** **US D515,613 S**
Holmes et al. (45) **Date of Patent:** **** Feb. 21, 2006**

(54) **WEBCAM MOUNT FOR FLEXIBLE POSITIONING**

(76) Inventors: **Joseph T. Holmes**, 7 River St., Westford, MA (US) 01886; **Shawn Michael Daley**, 426 Main St., West Townsend, MA (US) 01474

(**) **Term:** **14 Years**

(21) **Appl. No.:** **29/221,297**

(22) **Filed:** **Jan. 13, 2005**

Related U.S. Application Data

(62) Division of application No. 29/180,467, filed on Apr. 24, 2003, now Pat. No. Des. 502,956.

(51) **LOC (8) Cl.** **16-05**

(52) **U.S. Cl.** **D16/242**; 396/428

(58) **Field of Classification Search** D16/237, D16/242, 243; 224/265, 270, 908; 248/160, 248/187.1, 231.71; 352/243; 396/419, 421, 396/422, 428

See application file for complete search history.

(56) **References Cited**

U.S. PATENT DOCUMENTS

1,276,117 A	8/1918	Riebe	
2,510,198 A	6/1950	Tesmer	
3,986,692 A	* 10/1976	Kinoshita	248/160
D293,470 S	* 12/1987	Adler	D24/140
4,963,903 A	10/1990	Cane	
5,305,034 A	4/1994	Aratani	
5,419,613 A	5/1995	Wedeking	
D362,008 S	9/1995	McCumber	
D375,319 S	11/1996	Johnson et al.	
5,664,750 A	9/1997	Cohen	

D394,669 S	5/1998	Becker et al.	
D403,338 S	12/1998	Dunn	
5,847,883 A	12/1998	Rispoli, Sr.	
D411,220 S	6/1999	Surabian	
6,330,992 B1	12/2001	Swayhoover et al.	
6,352,227 B1	3/2002	Hathaway	
6,411,332 B1	6/2002	Whitby et al.	
6,670,985 B1	12/2003	Karube et al.	
D498,251 S	* 11/2004	Invencio	D16/242
2004/0211868 A1	* 10/2004	Holmes et al.	248/231.71

OTHER PUBLICATIONS

Q Enterprise Internet Advertising, 3 pgs.
Video Lab Internet Advertising, 14 pgs.
Microscopeworld.com Internet Advertising Video Flex Camera, 4 pgs.

* cited by examiner

Primary Examiner—Adir Aronovich
(74) *Attorney, Agent, or Firm*—Elmore, Craig & Vanstone, P.C.; Darlene A. Vanstone; Carolyn S. Elmore

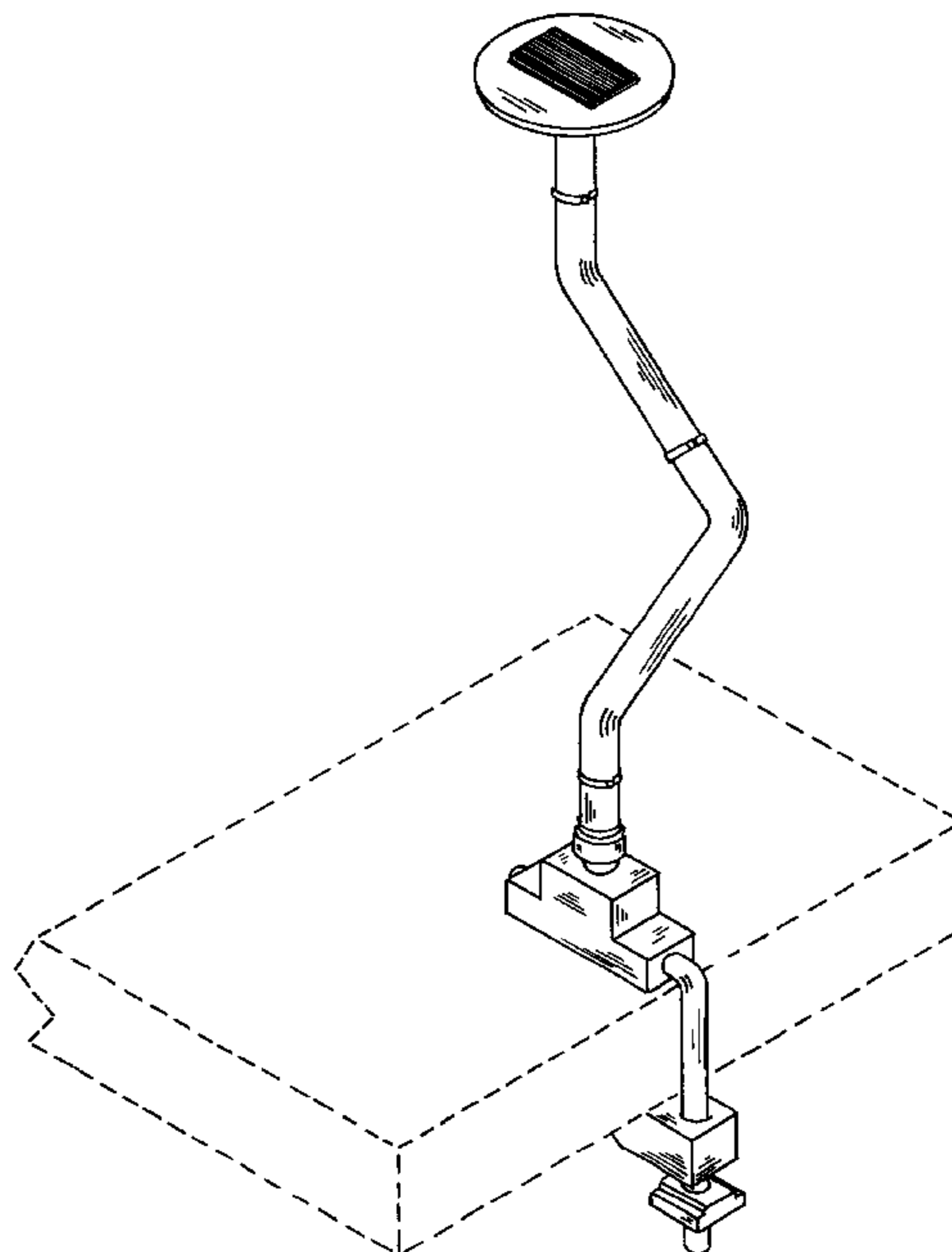
(57) **CLAIM**

The ornamental design for a webcam mount for flexible positioning, as shown and described.

DESCRIPTION

FIG. 1 is a left side elevational view of a webcam mount for flexible positioning, the undisclosed right side being the mirror image;
FIG. 2 is a top plan view thereof; and,
FIG. 3 is a perspective view thereof.
The broken line showing of a support surface is for illustrative purposes only and forms no part of the claimed design.

1 Claim, 3 Drawing Sheets



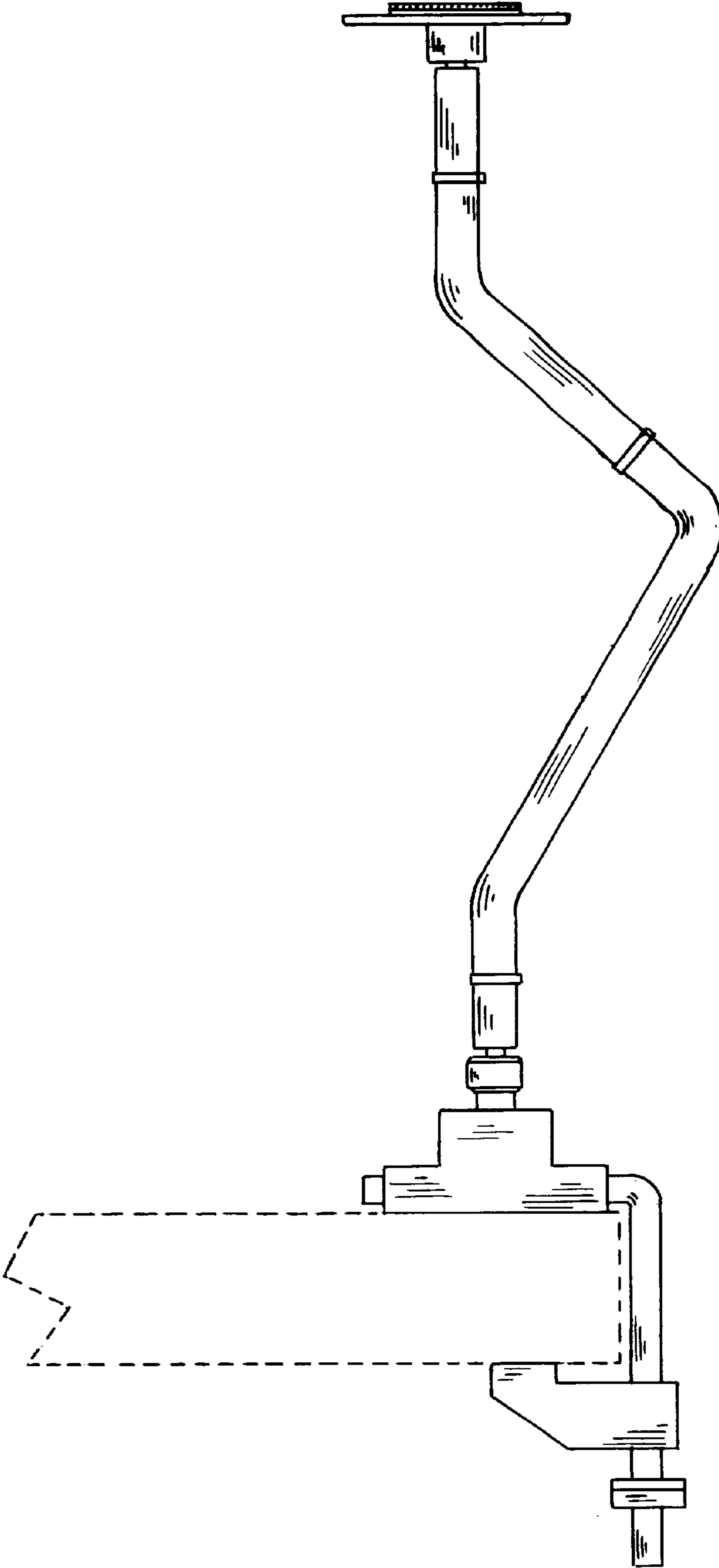


FIG. 1

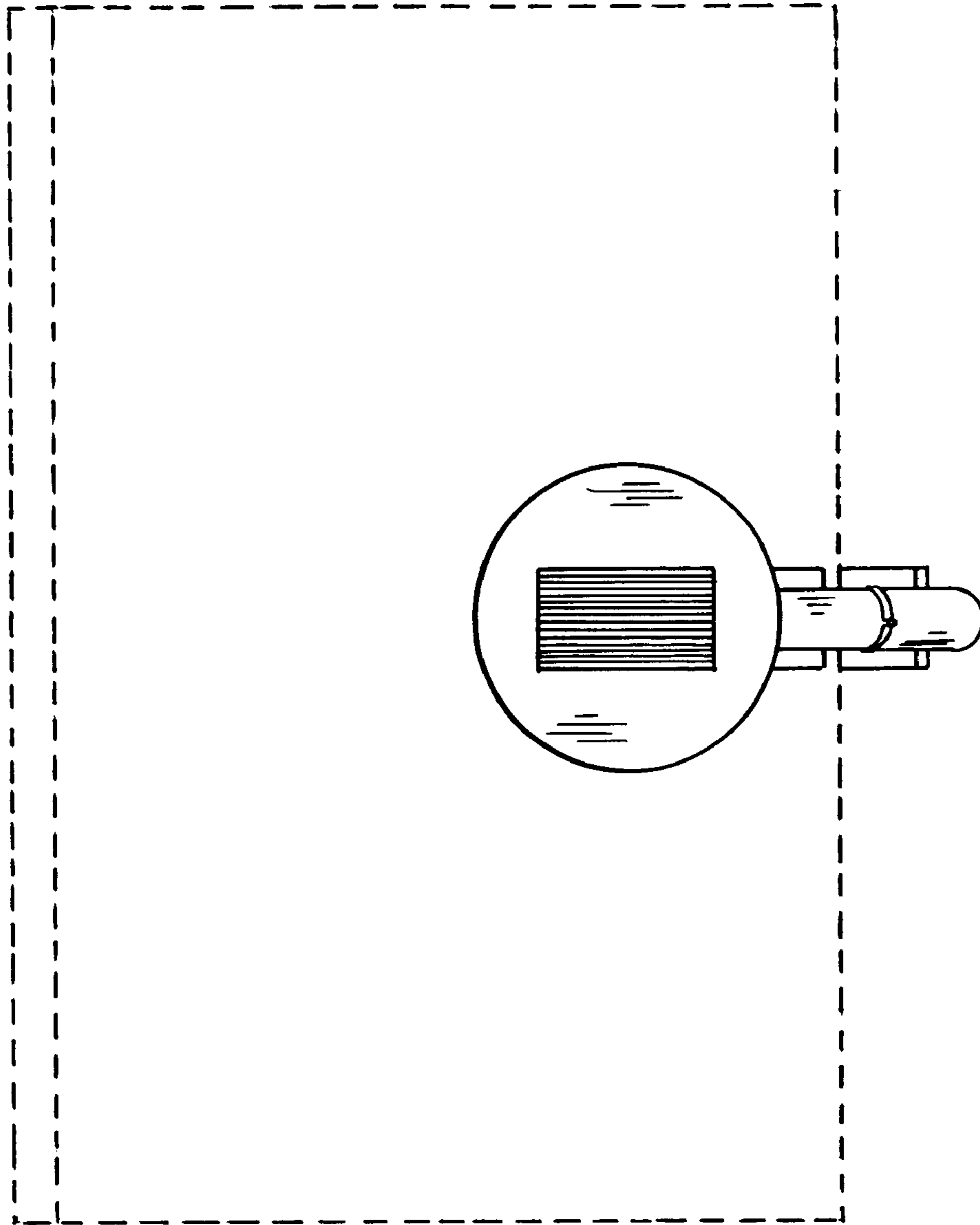


FIG. 2

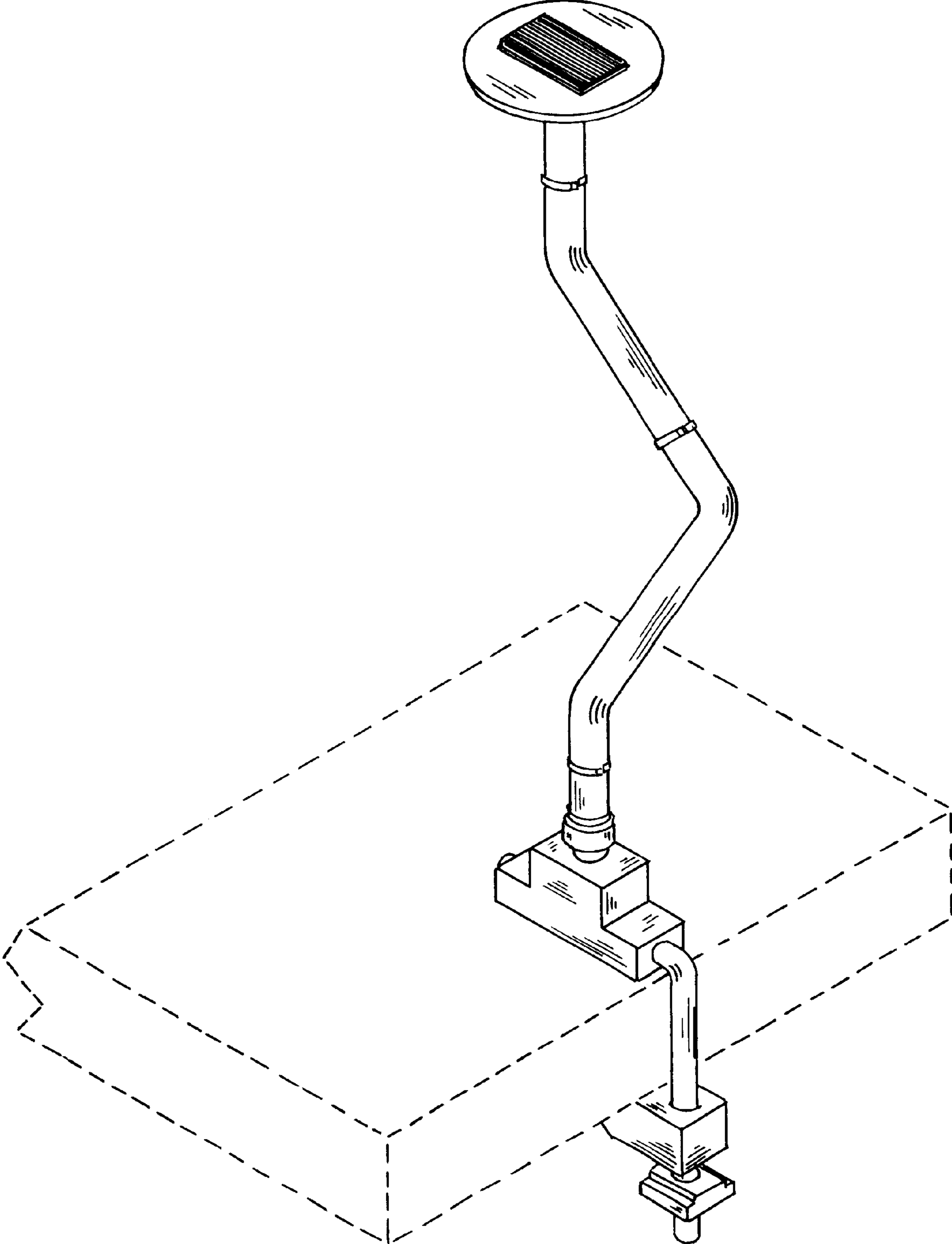


FIG. 3