



US00D515612S

(12) **United States Design Patent**
Lawrence

(10) **Patent No.:** **US D515,612 S**
(45) **Date of Patent:** **** Feb. 21, 2006**

(54) **SLIDE VIEWER AND SORTER**

(76) Inventor: **Robert D. Lawrence**, 1811 Monty Ct.,
Stockton, CA (US) 95207

(**) Term: **14 Years**

(21) Appl. No.: **29/207,814**

(22) Filed: **Jun. 21, 2004**

(51) **LOC (8) Cl.** **16-02**

(52) **U.S. Cl.** **D16/225; D16/221**

(58) **Field of Classification Search** D16/221,
D16/222, 225, 227, 229, 235, 236; 40/361-367;
353/120, 122, DIG. 3, DIG. 5; 359/472-476
See application file for complete search history.

(56) **References Cited**

U.S. PATENT DOCUMENTS

2,704,901 A	3/1955	Hulse	
2,816,379 A	12/1957	Ensor	
2,821,037 A	1/1958	Westphal	
2,825,989 A *	3/1958	Kwolek	40/361
2,908,094 A	10/1959	Mast	
3,195,258 A	7/1965	Gwin	
3,200,523 A	8/1965	Zagel	
3,217,436 A	11/1965	Wormer, Jr.	
3,419,984 A	1/1969	Sakamoto	
3,508,355 A	4/1970	Hooper	
3,543,426 A	12/1970	Sakamoto	
D242,448 S *	11/1976	Tairraz	D16/225
4,152,852 A	5/1979	Brown	
4,207,979 A	6/1980	Brown	
4,226,038 A	10/1980	Ashworth	
4,497,127 A	2/1985	Breslau	
4,693,373 A	9/1987	Lamb et al.	

4,824,190 A *	4/1989	Bartlett et al.	40/361
4,858,356 A	8/1989	Brewer	
5,040,837 A	8/1991	Ozeki	
D354,069 S *	1/1995	Byttner	D16/225

* cited by examiner

Primary Examiner—Adir Aronovich

(74) *Attorney, Agent, or Firm*—John P. McGonagle

(57) **CLAIM**

The ornamental design for a slide viewer and sorter, as shown and described.

DESCRIPTION

FIG. 1 is a front perspective view of a slide viewer and sorter embodying my new design and mounted on a computer monitor, wherein the computer monitor is shown in broken lines for illustrative purposes only and forms no part of the claimed design;

FIG. 2 is a side perspective view thereof, wherein the computer monitor is shown in broken lines for illustrative purposes only and forms no part of the claimed design;

FIG. 3 is another perspective view of the slide viewer and sorter embodying my new design and lying on a flat horizontal surface, wherein the flat horizontal surface is shown in broken lines for illustrative purposes only and forms no part of the claimed design;

FIG. 4 is a top view of the slide viewer and sorter;

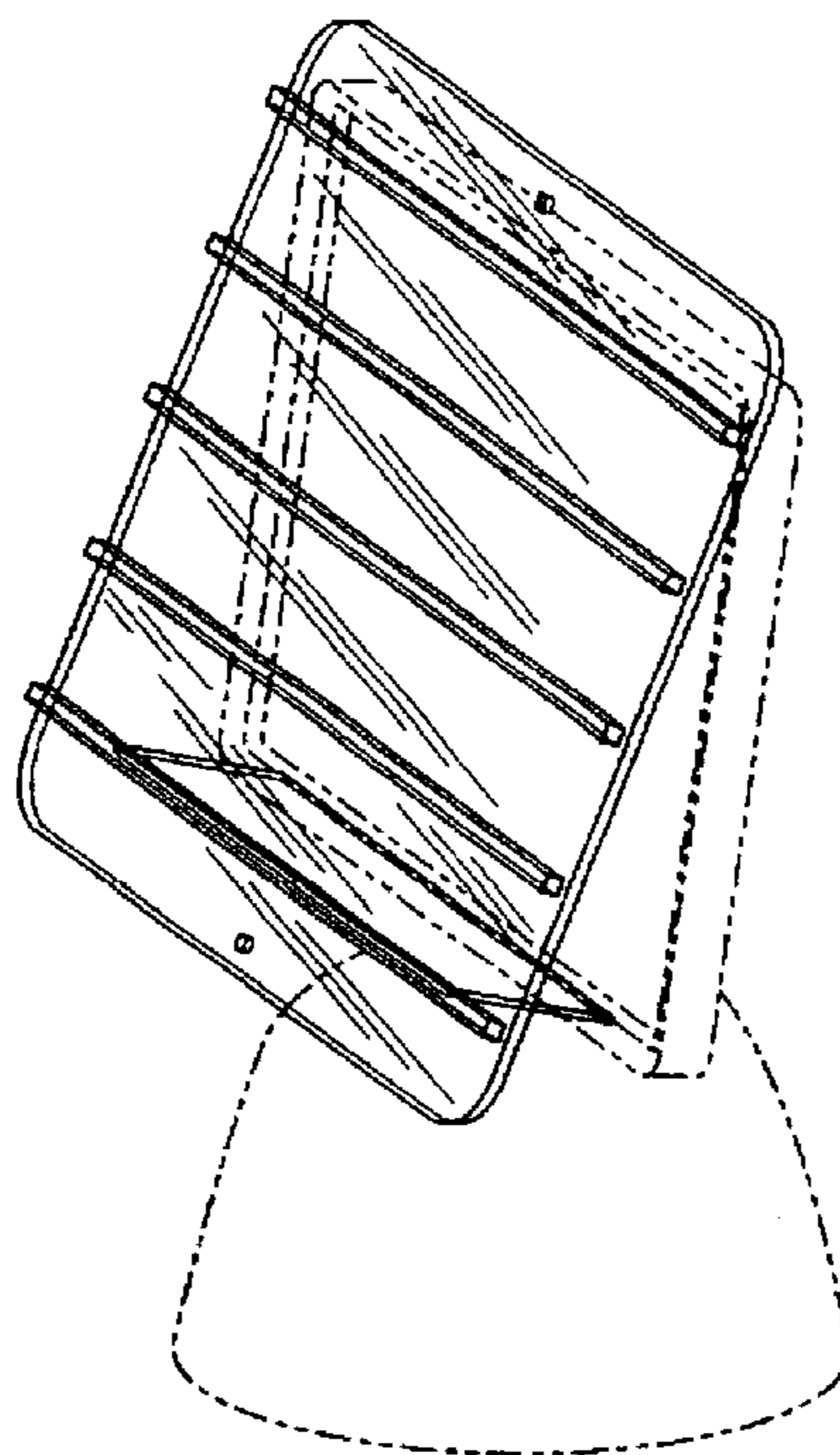
FIG. 5 is a front view thereof;

FIG. 6 is a bottom view thereof;

FIG. 7 is a rear view thereof; and,

FIG. 8 is a side view thereof, the opposite side being a mirror image thereof.

1 Claim, 2 Drawing Sheets



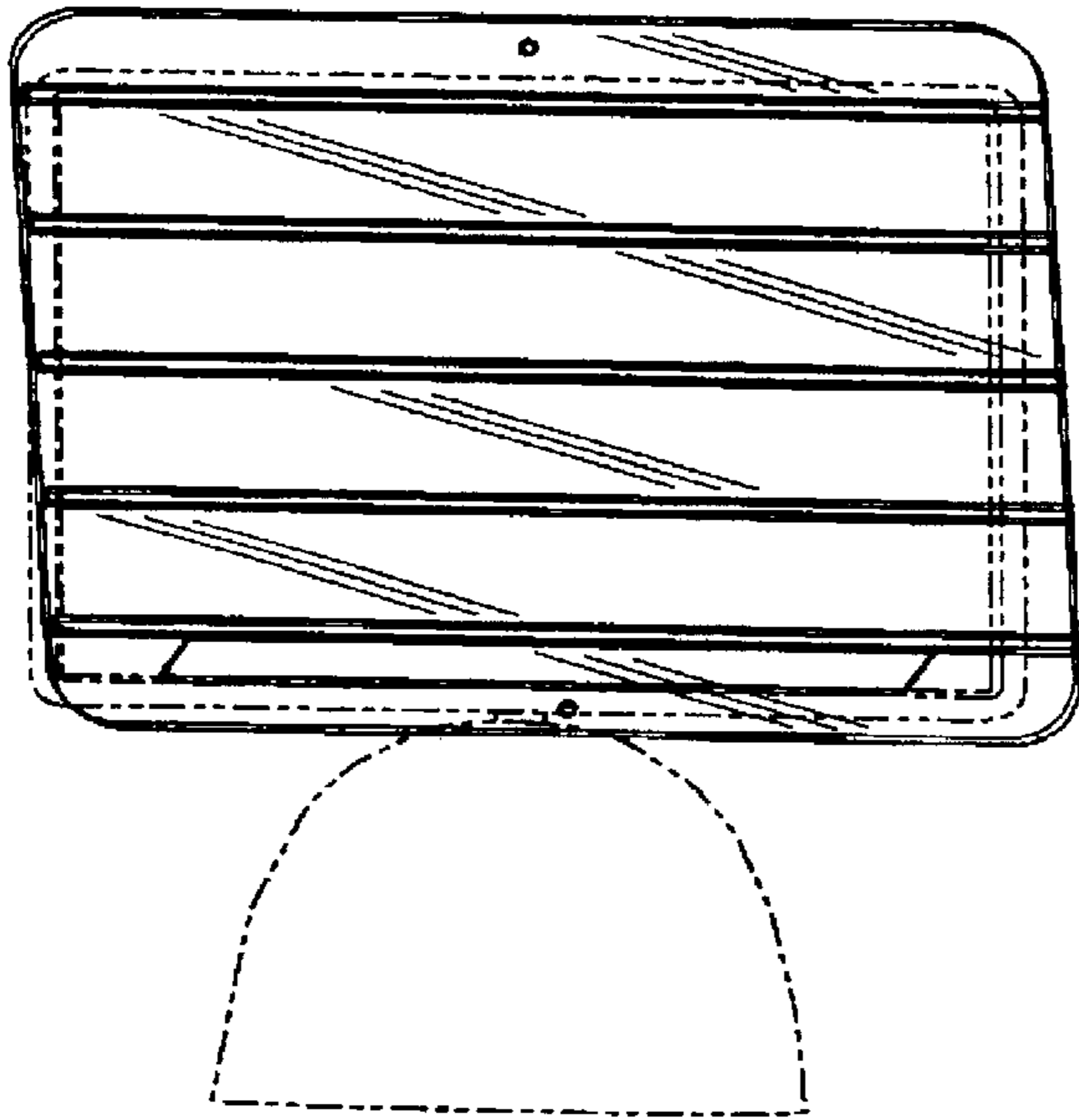


FIG. 1

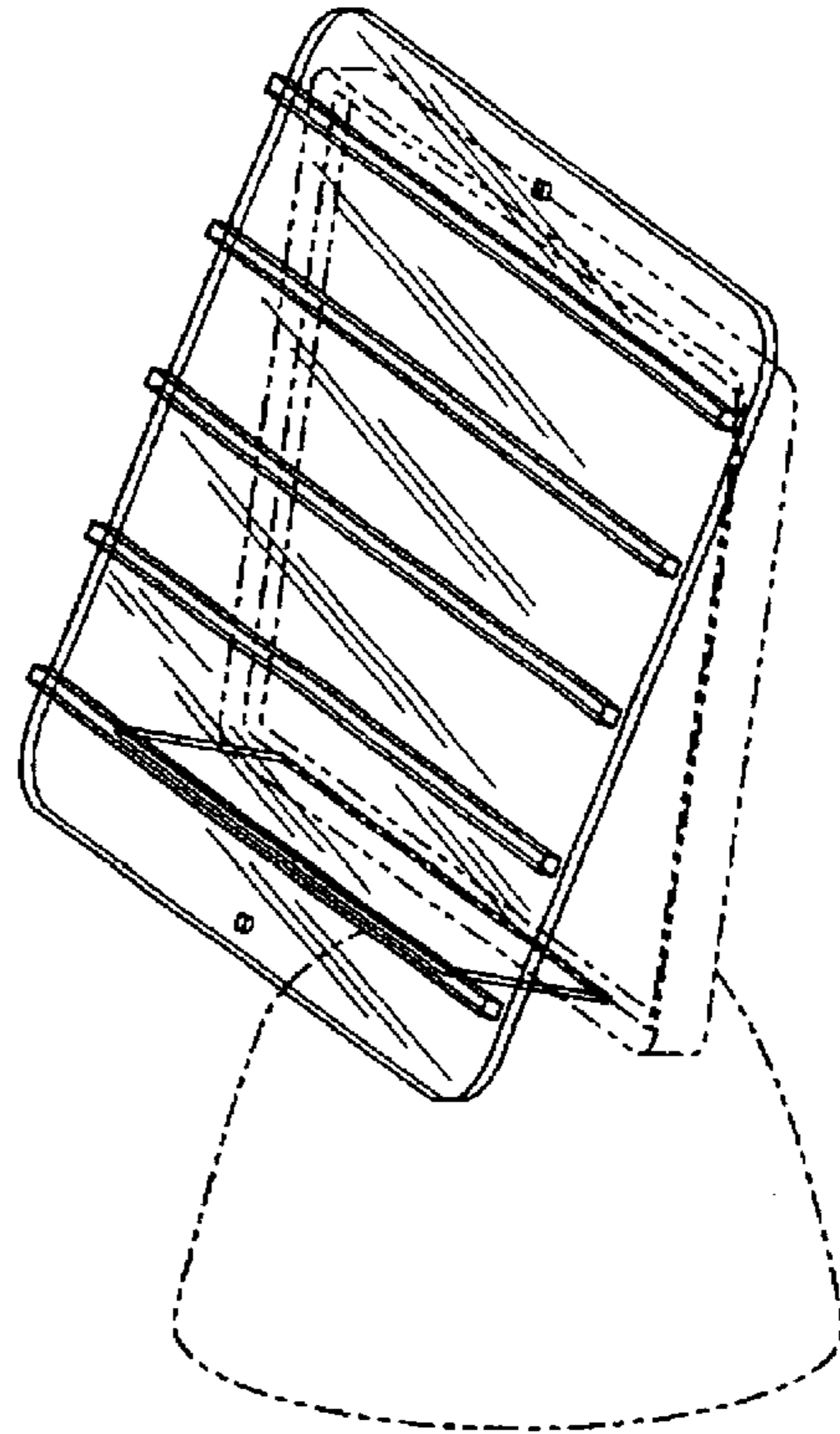


FIG. 2

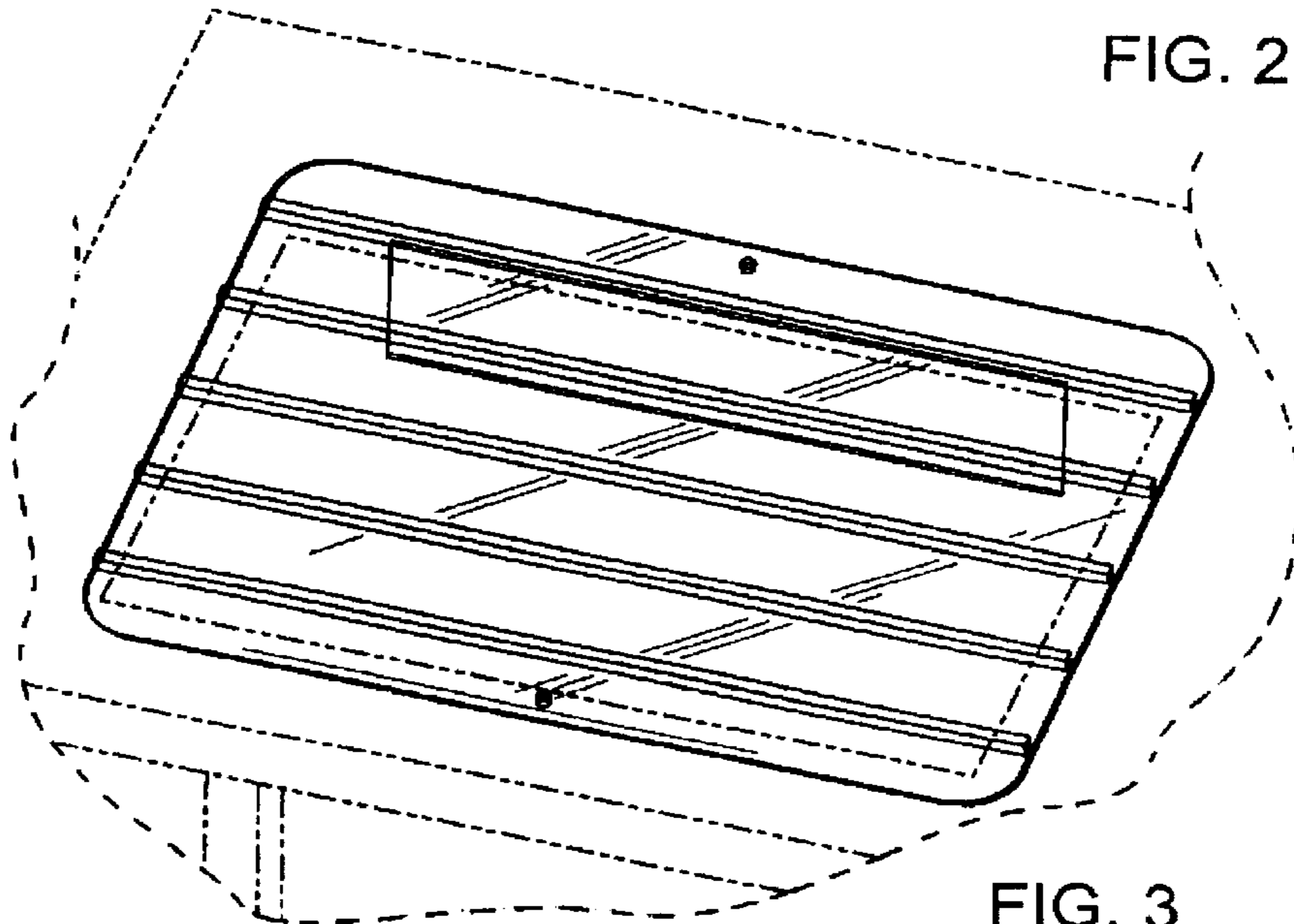


FIG. 3

FIG. 4

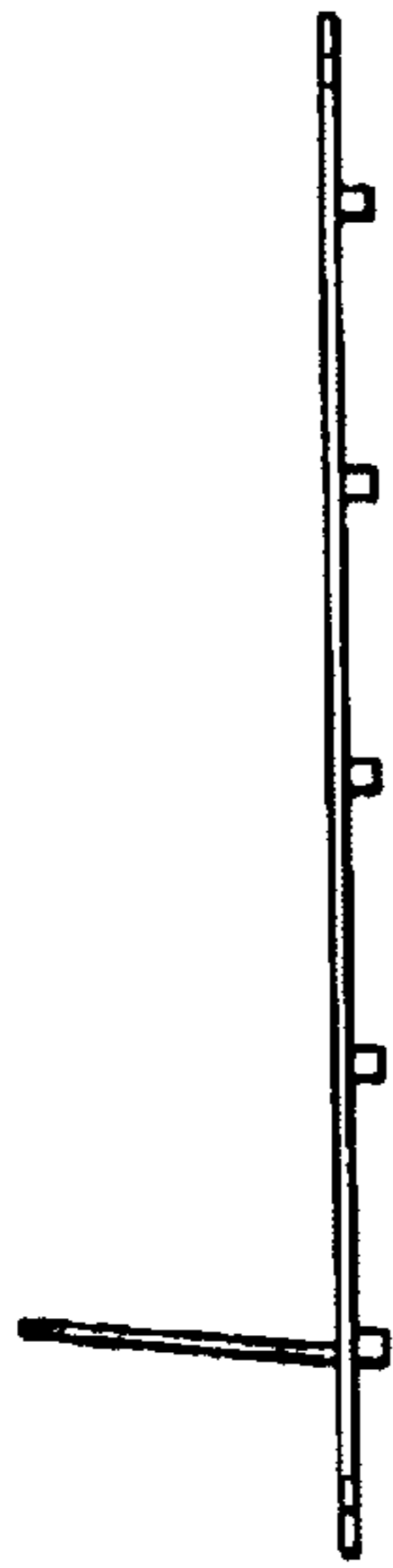
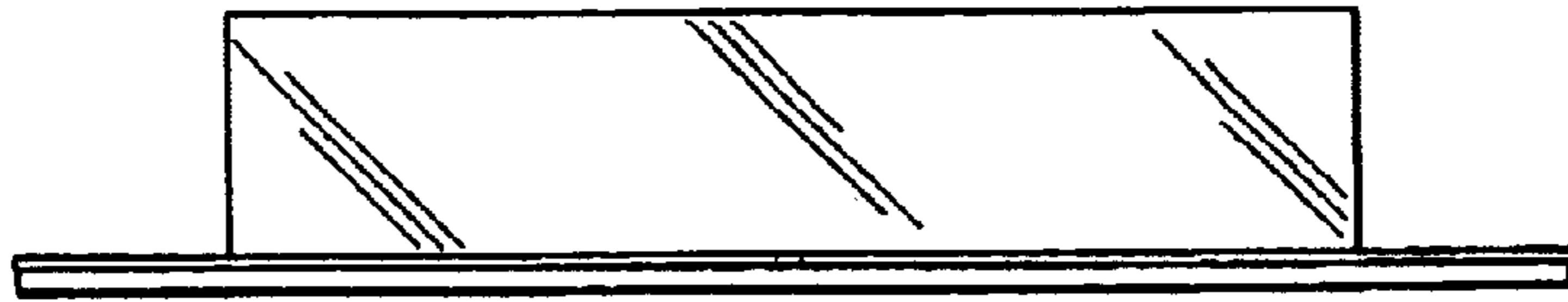


FIG. 8

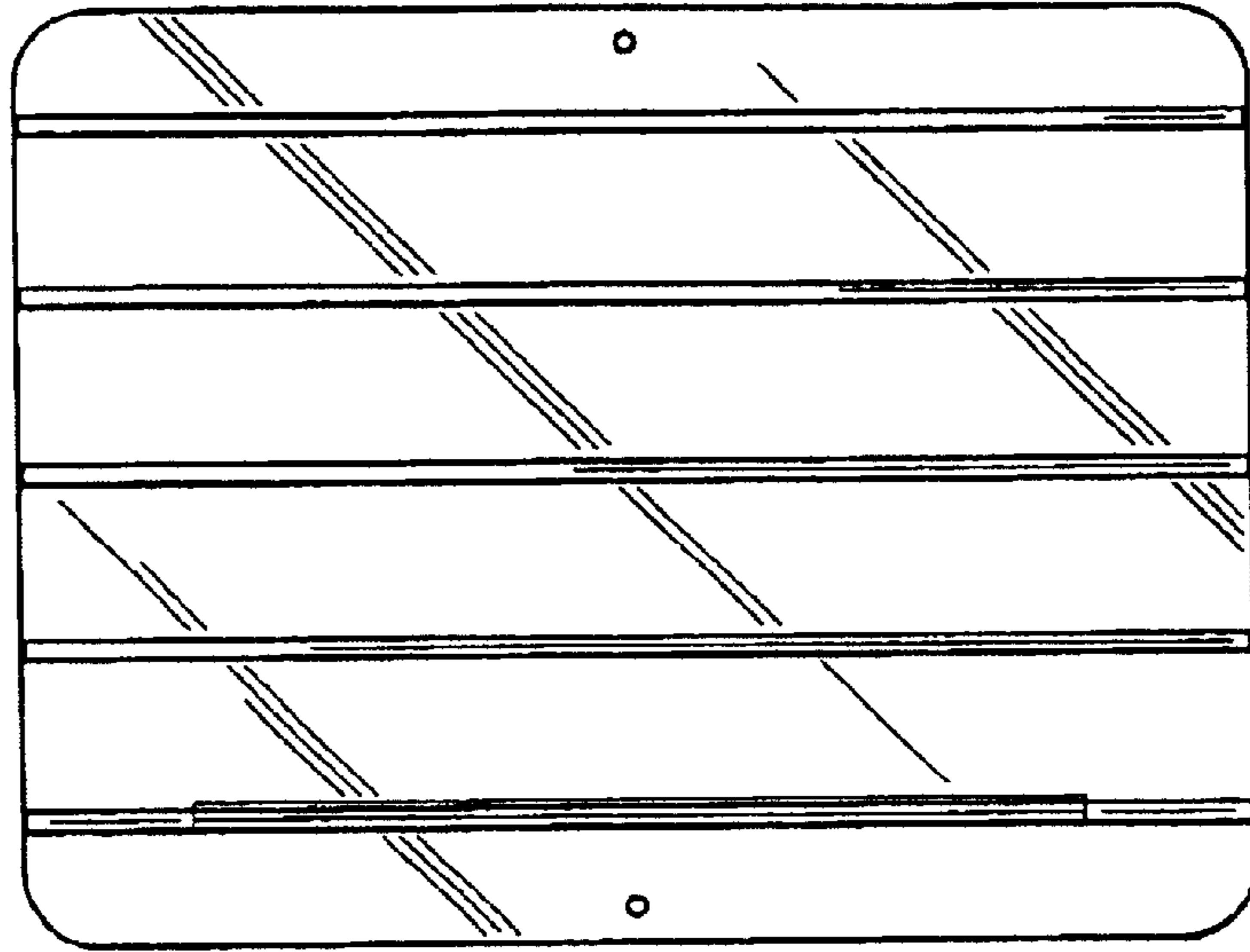


FIG. 5

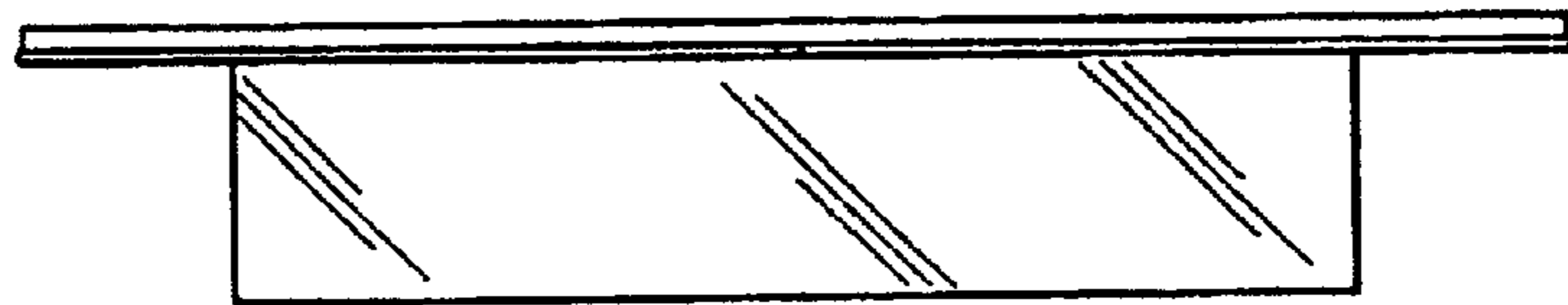


FIG. 6

FIG. 7

