



US00D515611S

(12) **United States Design Patent** (10) **Patent No.:** **US D515,611 S**
Sato (45) **Date of Patent:** **** Feb. 21, 2006**

(54) **CAMERA**

(75) Inventor: **Jun Sato**, Tokyo (JP)

(73) Assignee: **Fuji Photo Film Co., Ltd.**, Kanagawa (JP)

(**) Term: **14 Years**

(21) Appl. No.: **29/212,146**

(22) Filed: **Aug. 27, 2004**

(30) **Foreign Application Priority Data**

Mar. 12, 2004 (JP) 2004-007482

(51) **LOC (8) Cl.** **16-05**

(52) **U.S. Cl.** **D16/219; D16/134**

(58) **Field of Classification Search** D16/134,
D16/136, 200, 202, 204, 219, 237; 359/703,
359/704, 811, 819; 396/529-531, 544
See application file for complete search history.

(56) **References Cited**

U.S. PATENT DOCUMENTS

D338,479 S * 8/1993 Takahashi D16/134
D417,681 S * 12/1999 Hayashi D16/219

6,388,825 B1 * 5/2002 Koiwai et al. 359/819
6,597,524 B2 * 7/2003 Sasaki 359/811
2002/0114085 A1 * 8/2002 Hattori et al. 359/811

* cited by examiner

Primary Examiner—Adir Aronovich

(74) *Attorney, Agent, or Firm*—Young & Thompson

(57) **CLAIM**

The ornamental design for a camera, as shown and described.

DESCRIPTION

FIG. 1 is a top, front and side perspective view of the camera showing my new design;

FIG. 2 is a front elevational view thereof;

FIG. 3 is a rear elevational view thereof;

FIG. 4 is a bottom plan view thereof;

FIG. 5 is a side elevational view thereof from the left of FIG. 2; and,

FIG. 6 is a side elevational view thereof from the right of FIG. 2.

The material in broken lines shows the environment in which the present invention is to be found, and is not claimed.

1 Claim, 3 Drawing Sheets

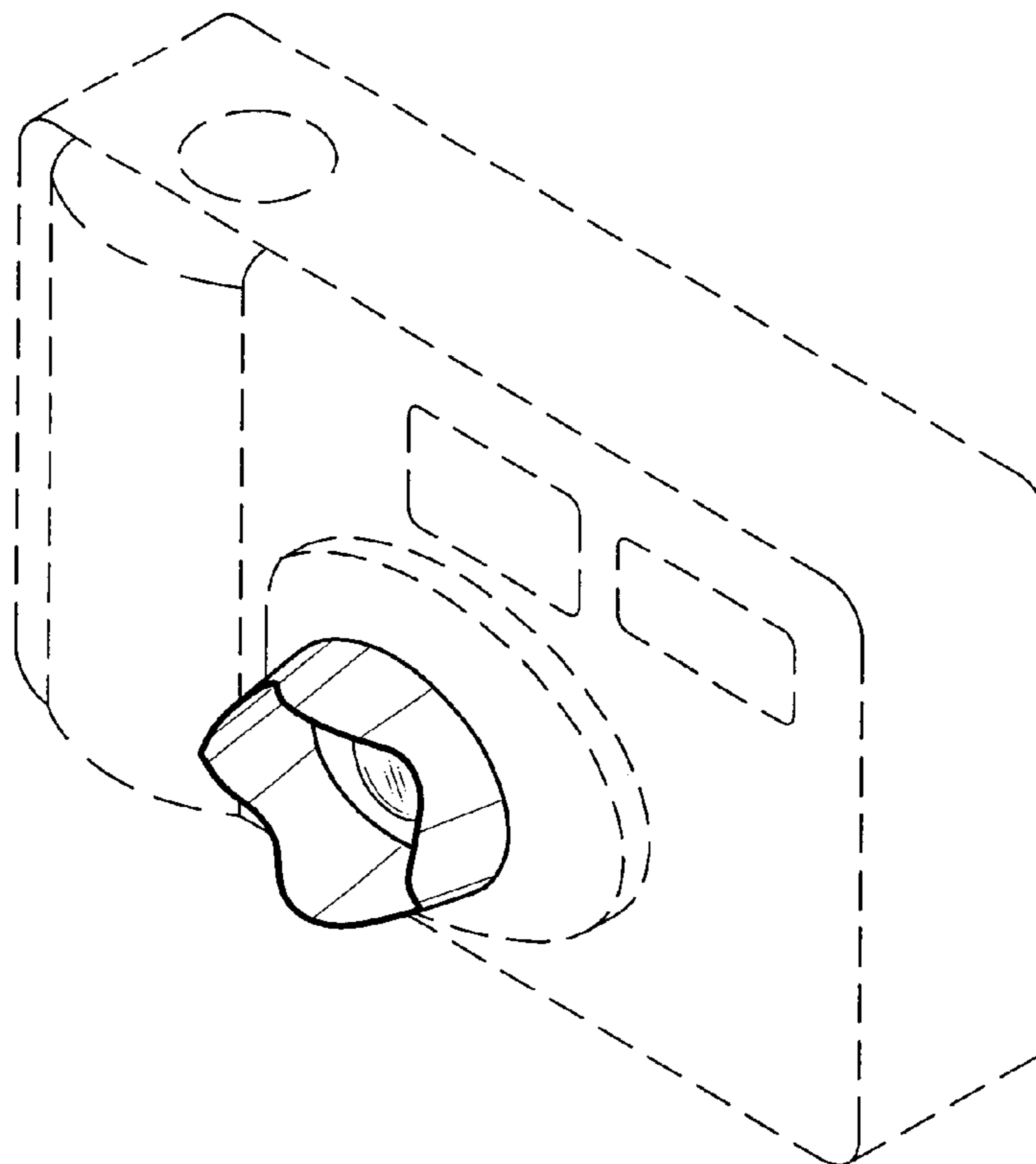


FIG.1

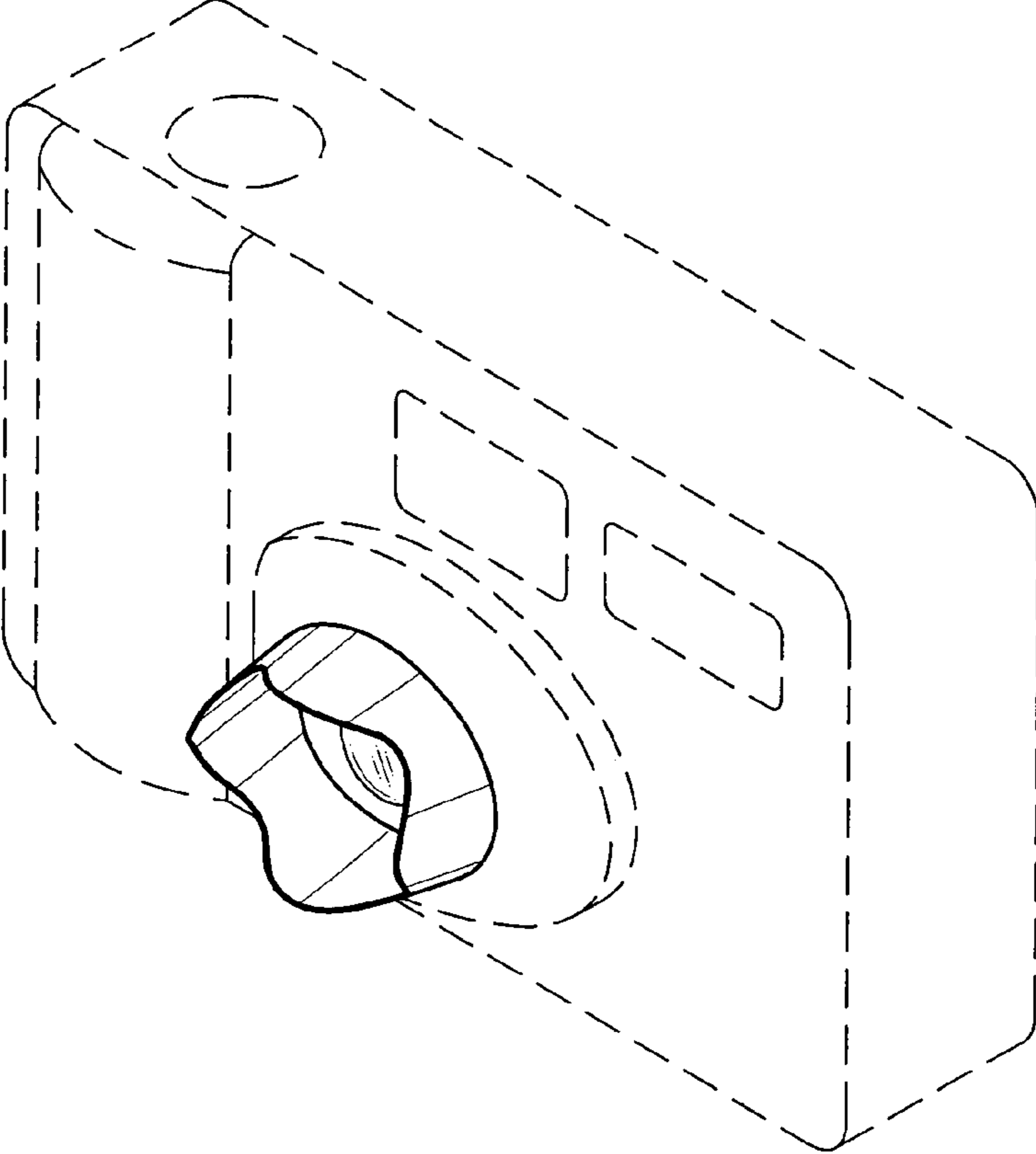


FIG.2

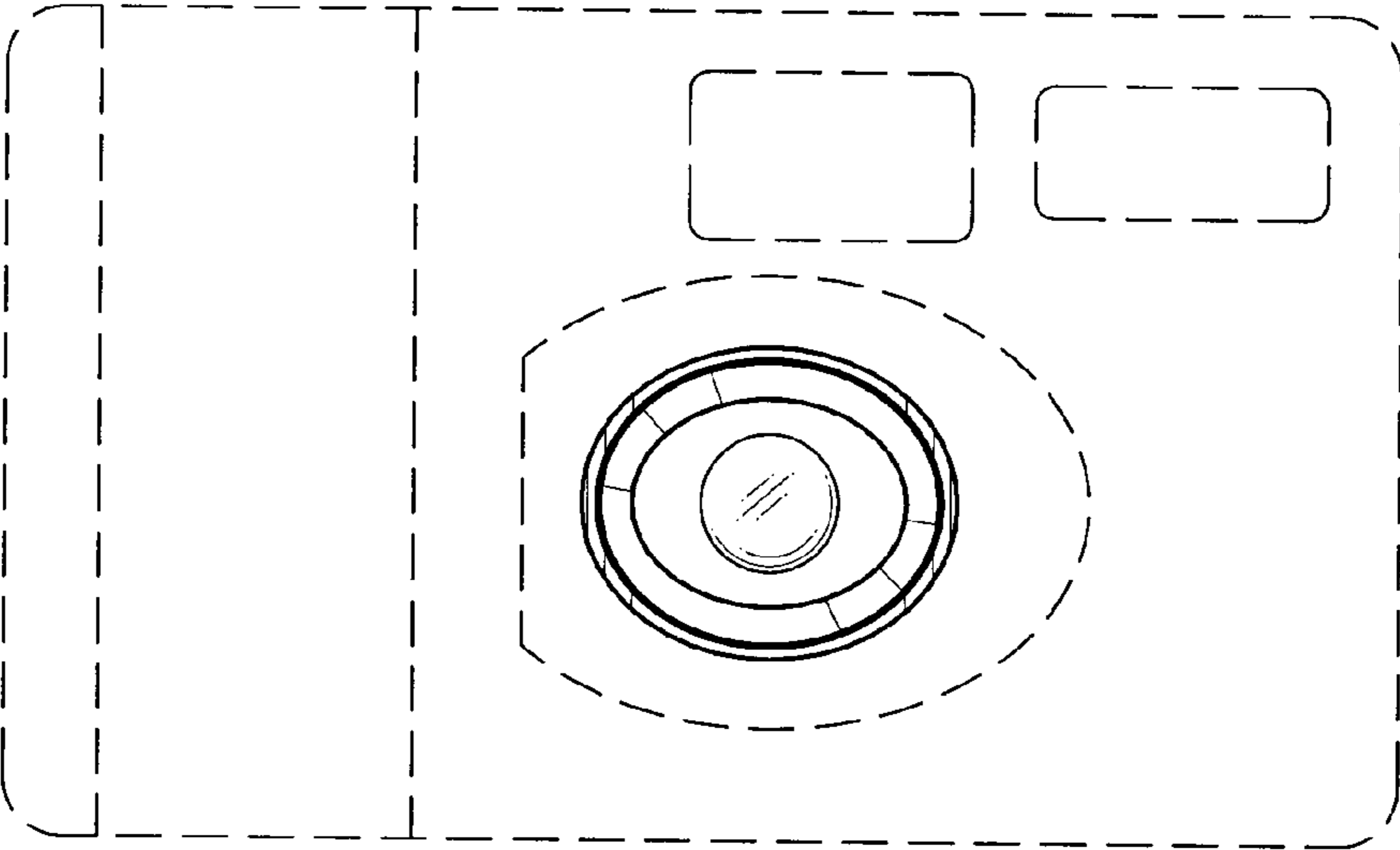


FIG.3

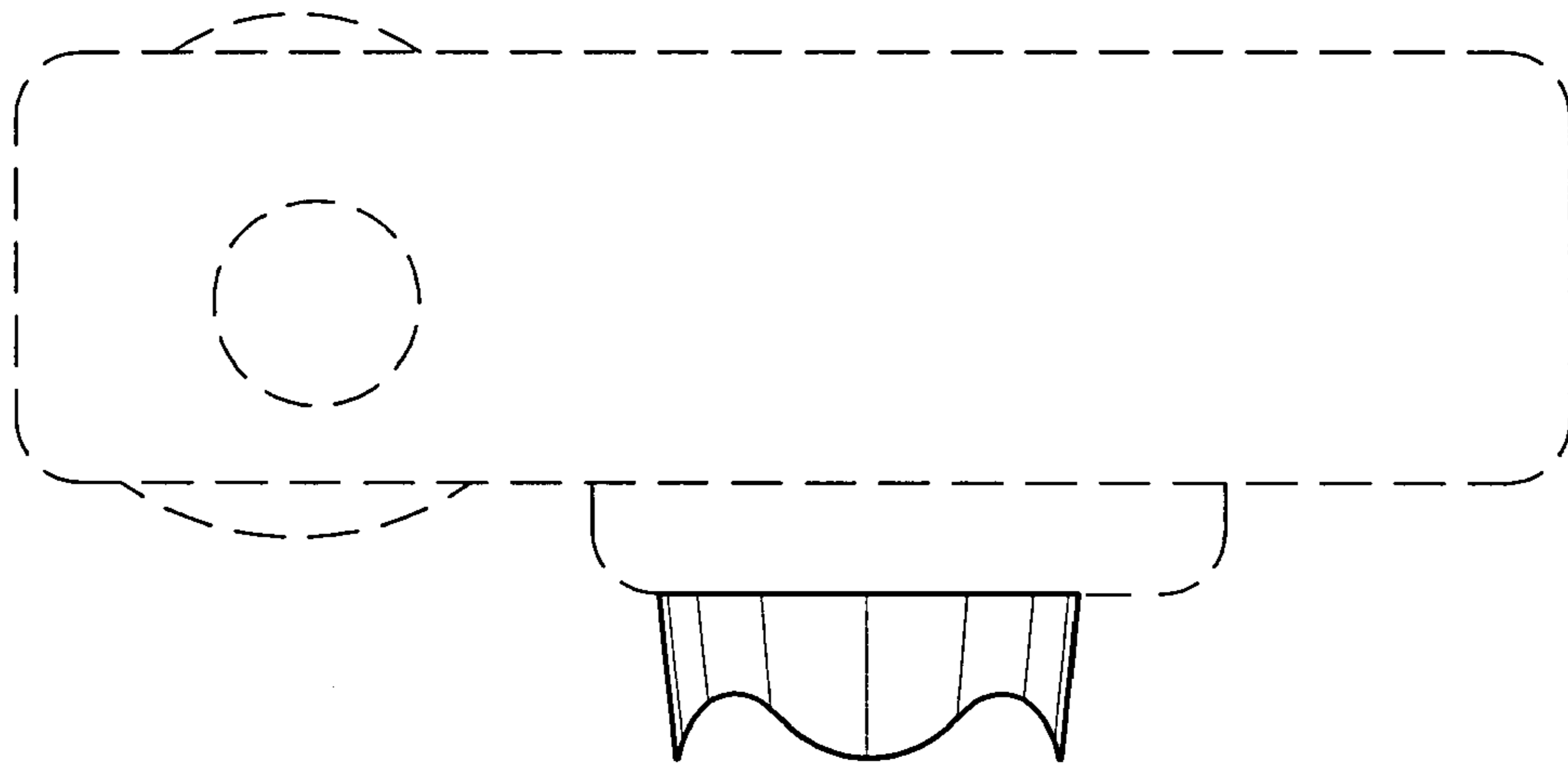


FIG.4

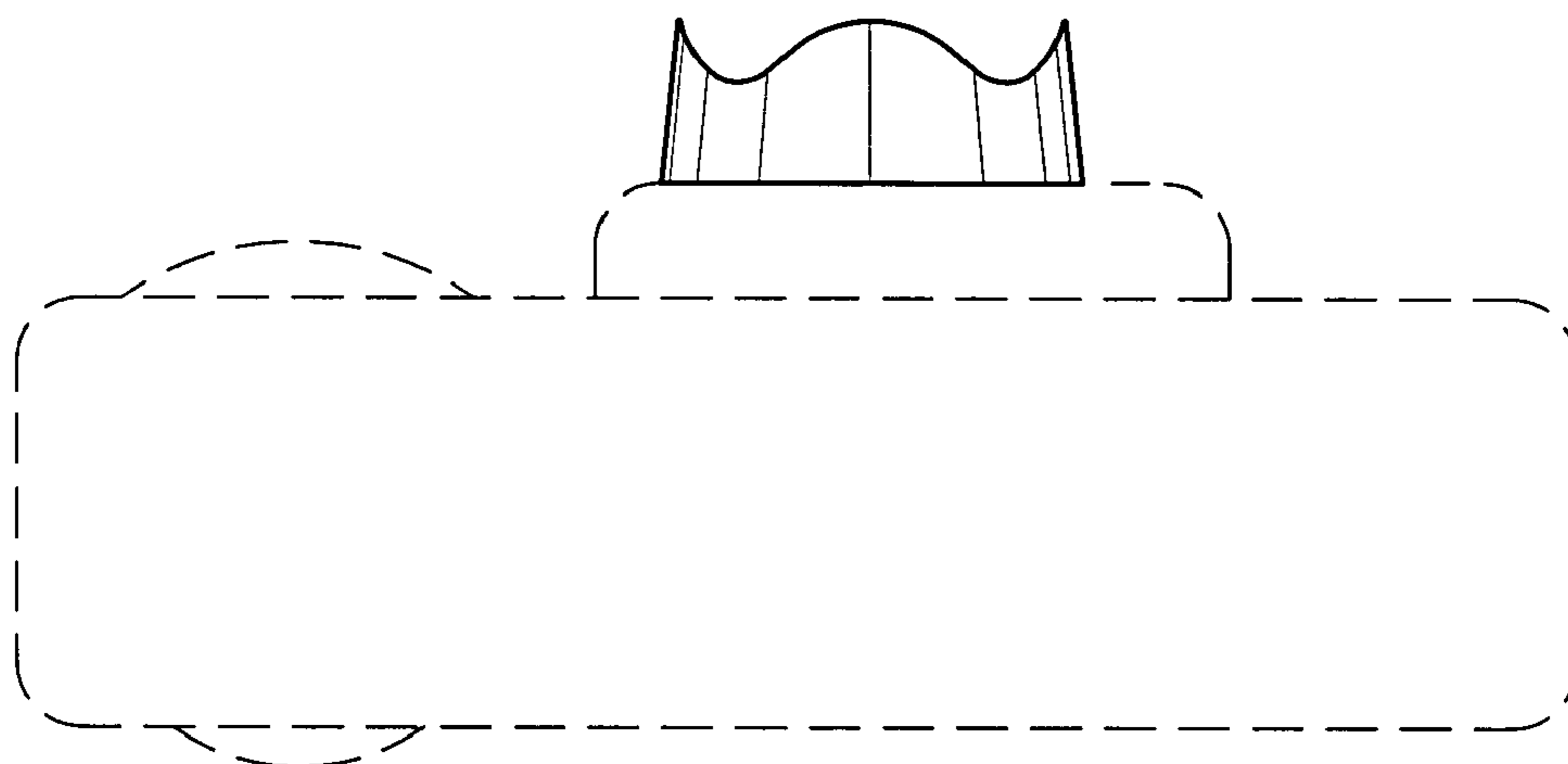


FIG.5

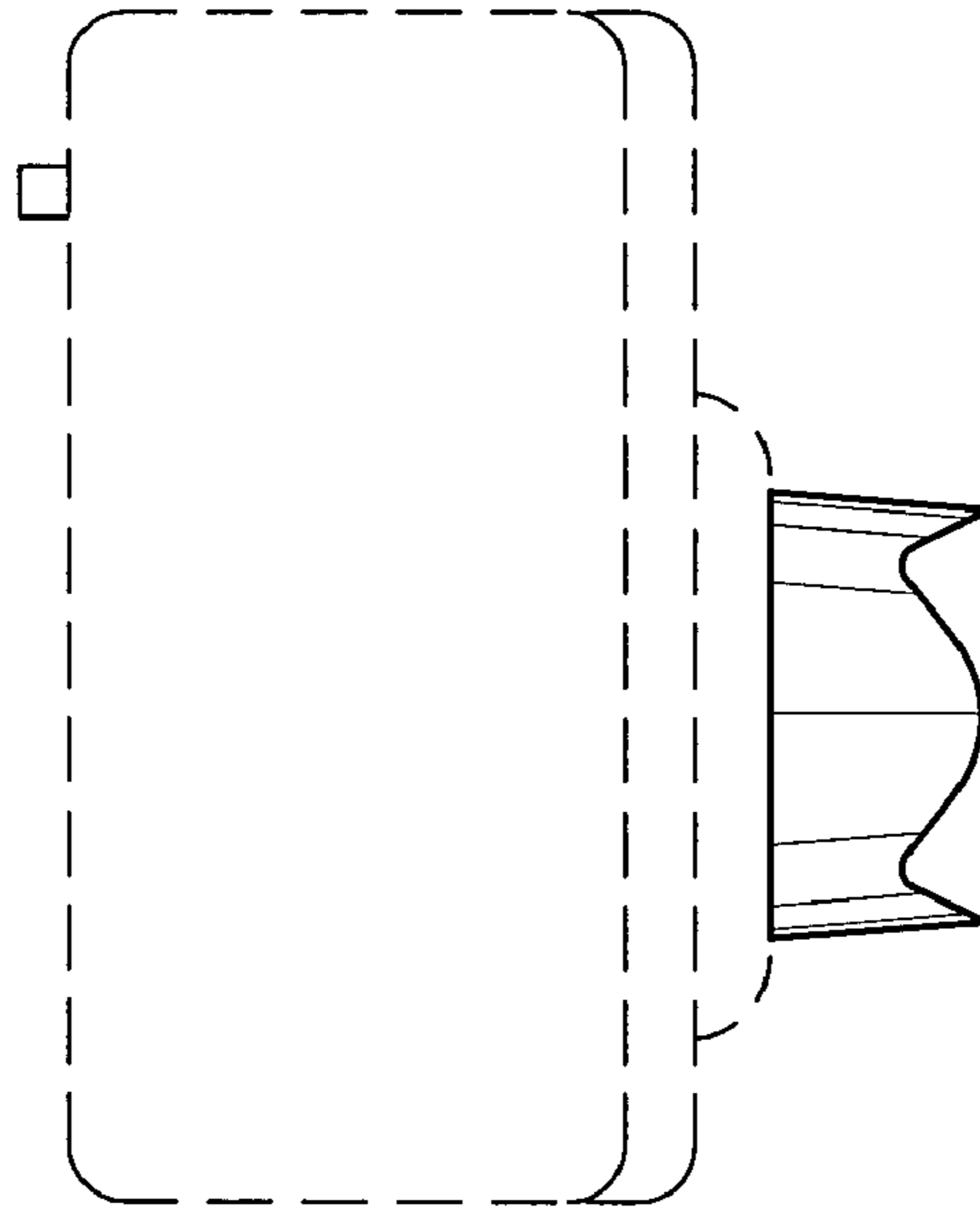


FIG.6

