



US00D515610S

(12) **United States Design Patent**
Yamakami

(10) **Patent No.:** **US D515,610 S**

(45) **Date of Patent:** **** Feb. 21, 2006**

(54) **CAMERA MODULE**

(75) **Inventor:** **Fumihiko Yamakami, Yamagata (JP)**

(73) **Assignee:** **Mitsumi Electric Co., Ltd., Tokyo (JP)**

(**) **Term:** **14 Years**

(21) **Appl. No.:** **29/211,848**

(22) **Filed:** **Aug. 24, 2004**

(30) **Foreign Application Priority Data**

Apr. 22, 2004 (JP) 2004-012199

(51) **LOC (8) Cl.** **16-01**

(52) **U.S. Cl.** **D16/218; D16/200**

(58) **Field of Classification Search** D16/200–204,
D16/208, 218, 219; 348/373–376; 358/906,
358/909.1; 396/6, 7, 535–541

See application file for complete search history.

(56) **References Cited**

U.S. PATENT DOCUMENTS

4,825,302 A * 4/1989 Tezuka et al. 358/906

D474,221 S * 5/2003 Cheng D16/218
D489,388 S * 5/2004 Saito et al. D16/218
D496,062 S * 9/2004 Yamakami et al. D16/218
D496,382 S * 9/2004 Yamakami et al. D16/218
2003/0112364 A1 * 6/2003 Tanida et al. 348/375

* cited by examiner

Primary Examiner—Adir Aronovich

(74) *Attorney, Agent, or Firm*—Sughrue Mion, PLLC

(57) **CLAIM**

The ornamental design for a camera module, as shown.

DESCRIPTION

FIG. 1 is a perspective view of the top, front and right side of a camera module showing my new design; FIG. 2 is a front elevational view thereof; FIG. 3 is a rear elevational view thereof; FIG. 4 is a top plan view thereof; FIG. 5 is a bottom plan view thereof; FIG. 6 is a right side elevational view thereof; and, FIG. 7 is a left side elevational view thereof.

1 Claim, 3 Drawing Sheets

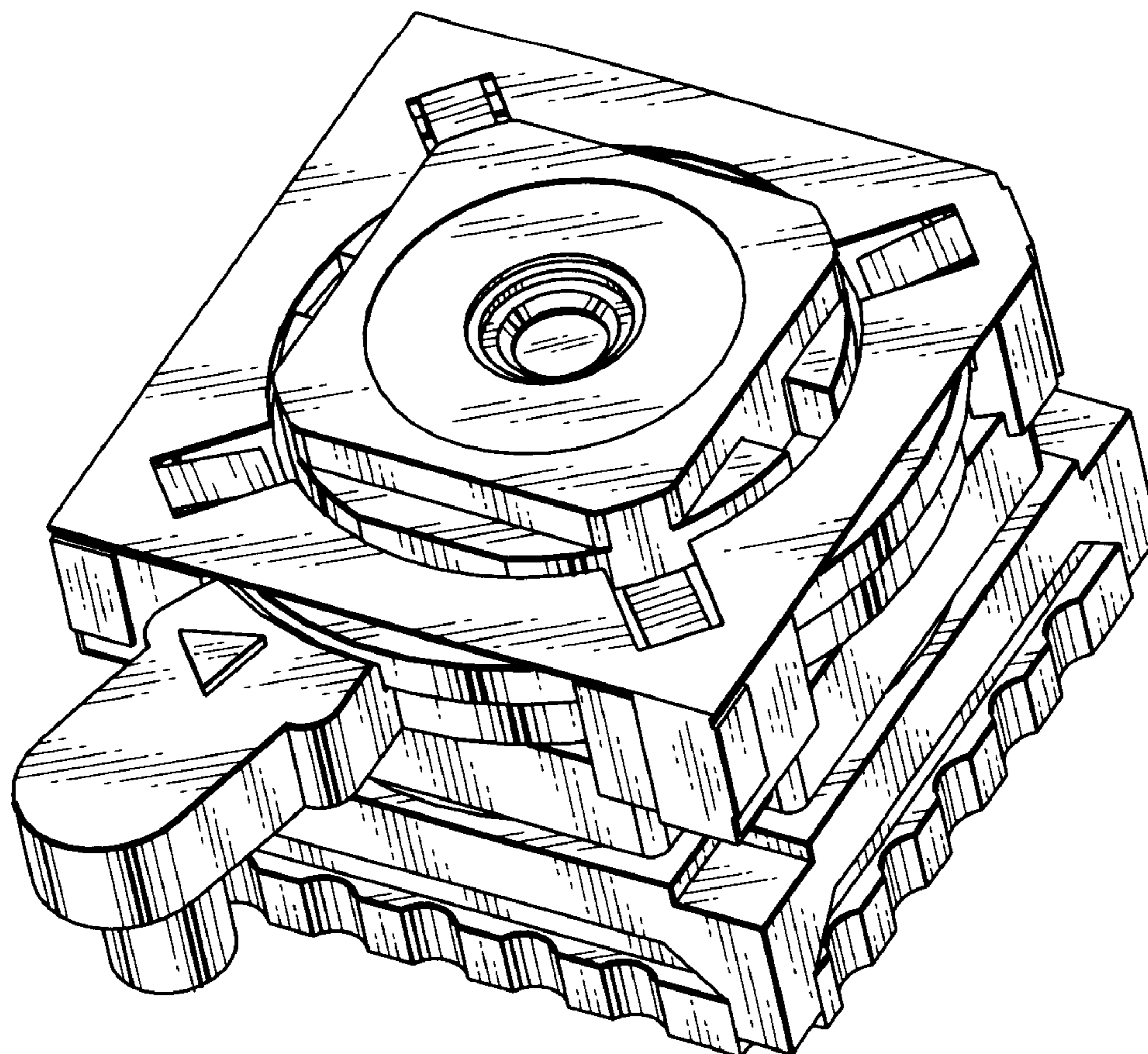


FIG. 1

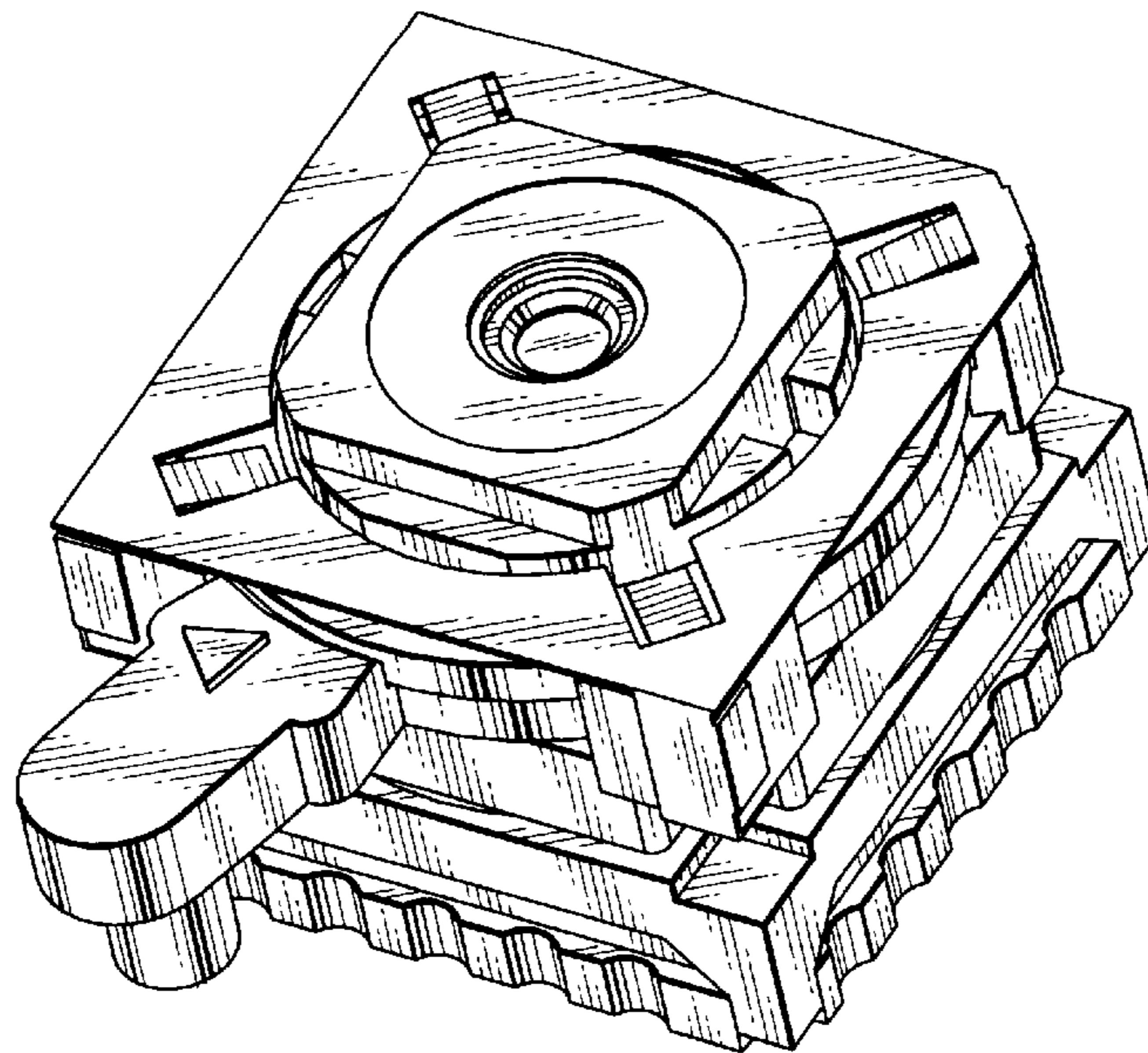


FIG. 2

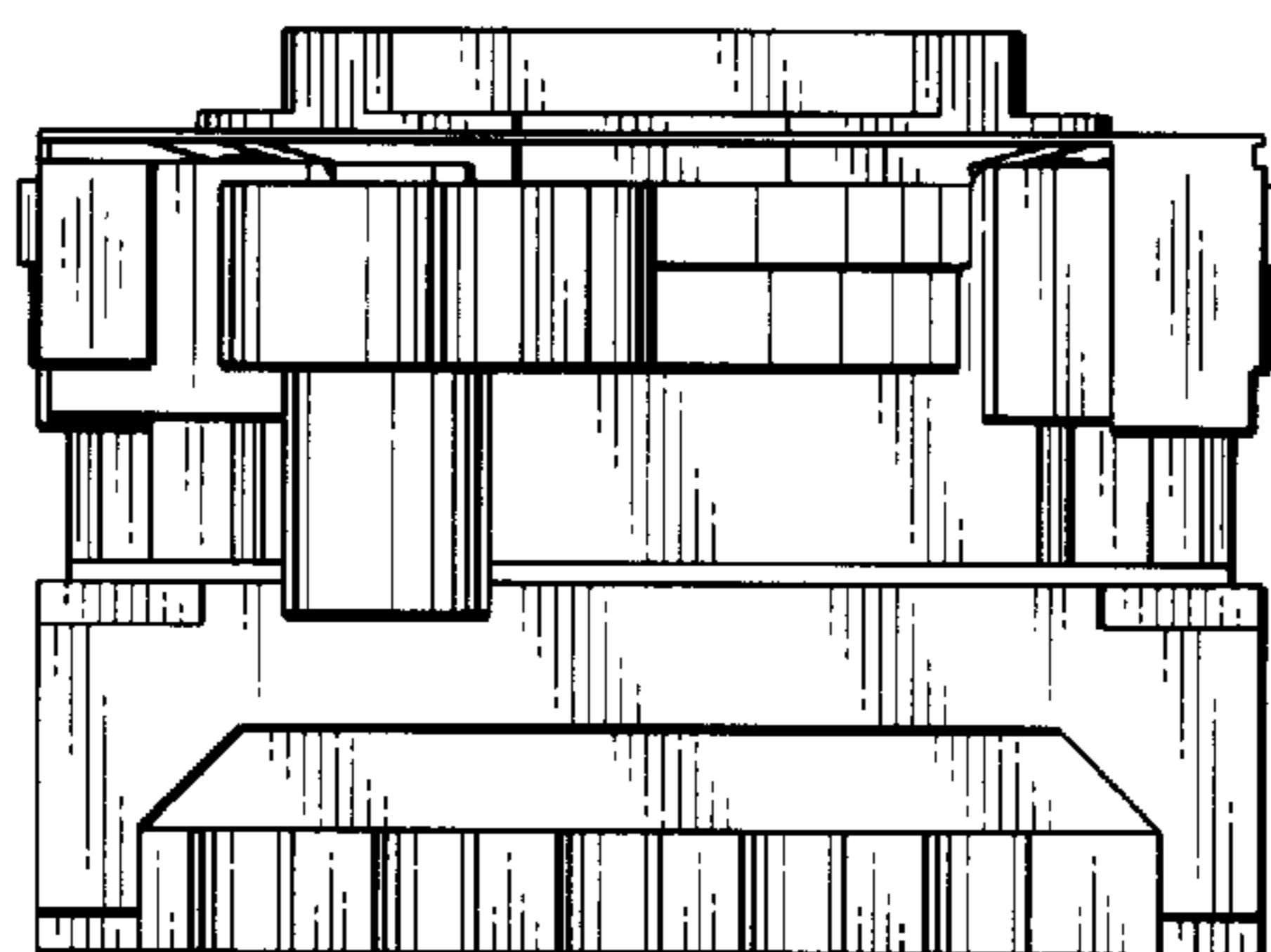


FIG. 3

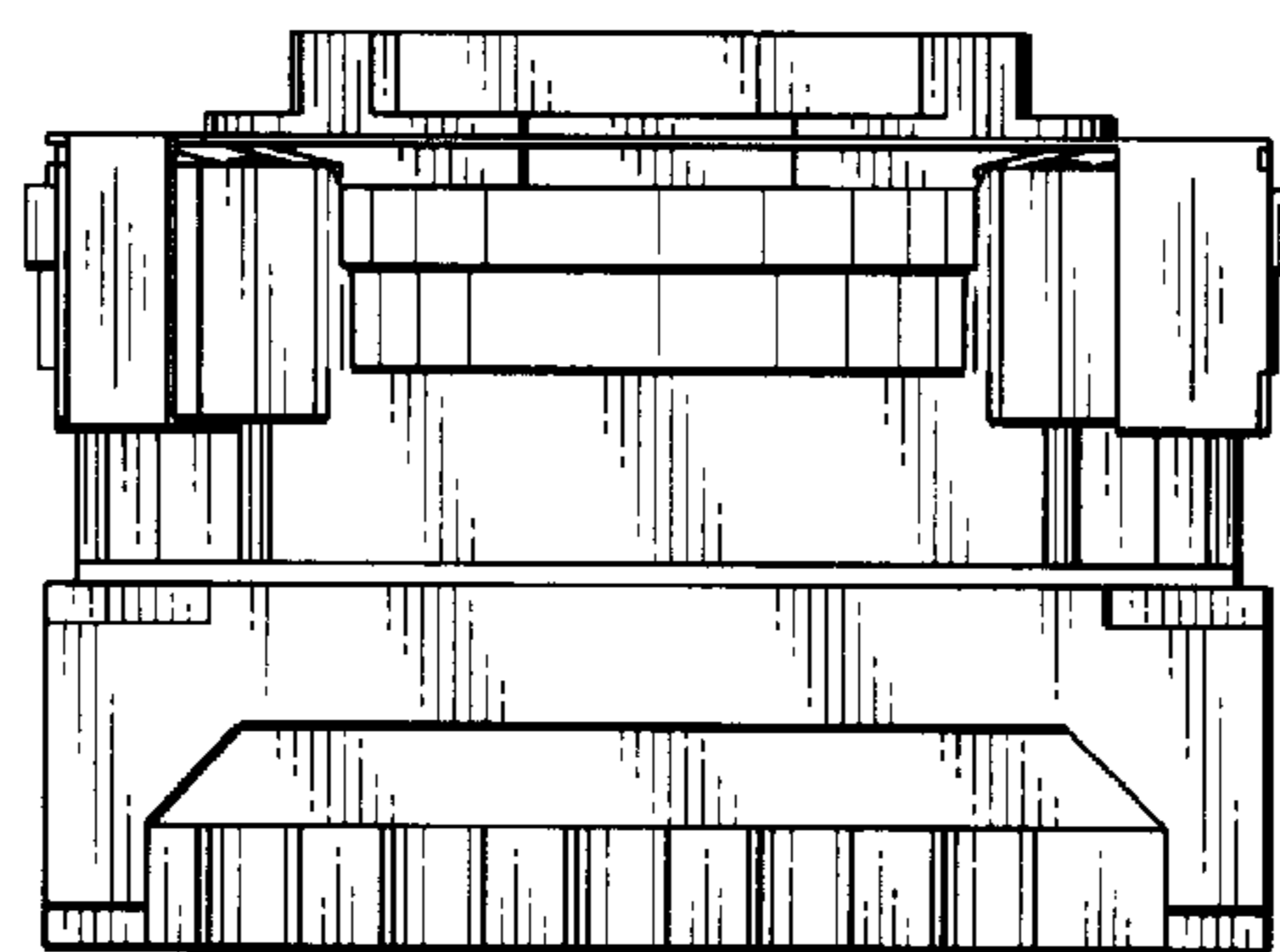


FIG. 4

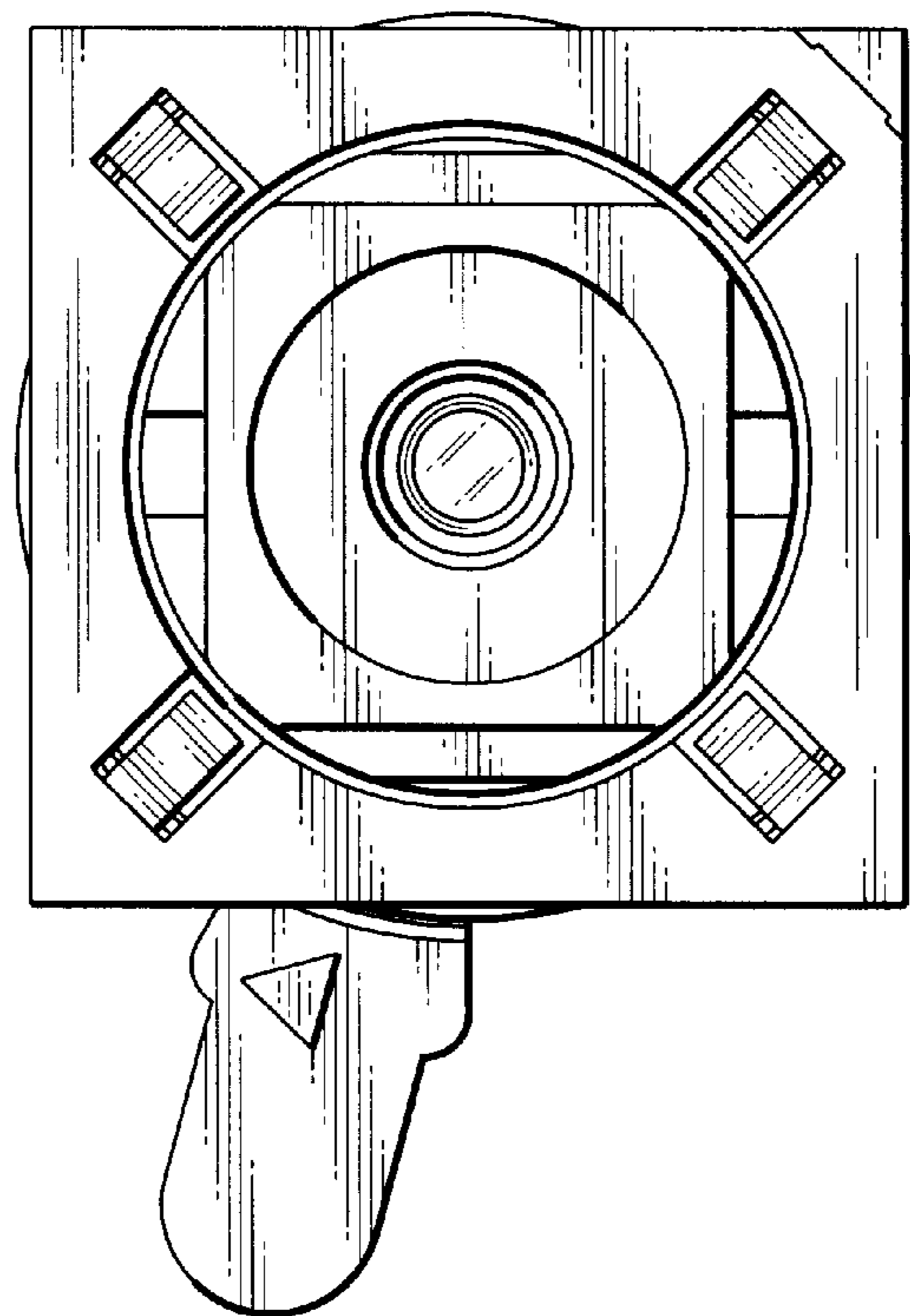


FIG. 5

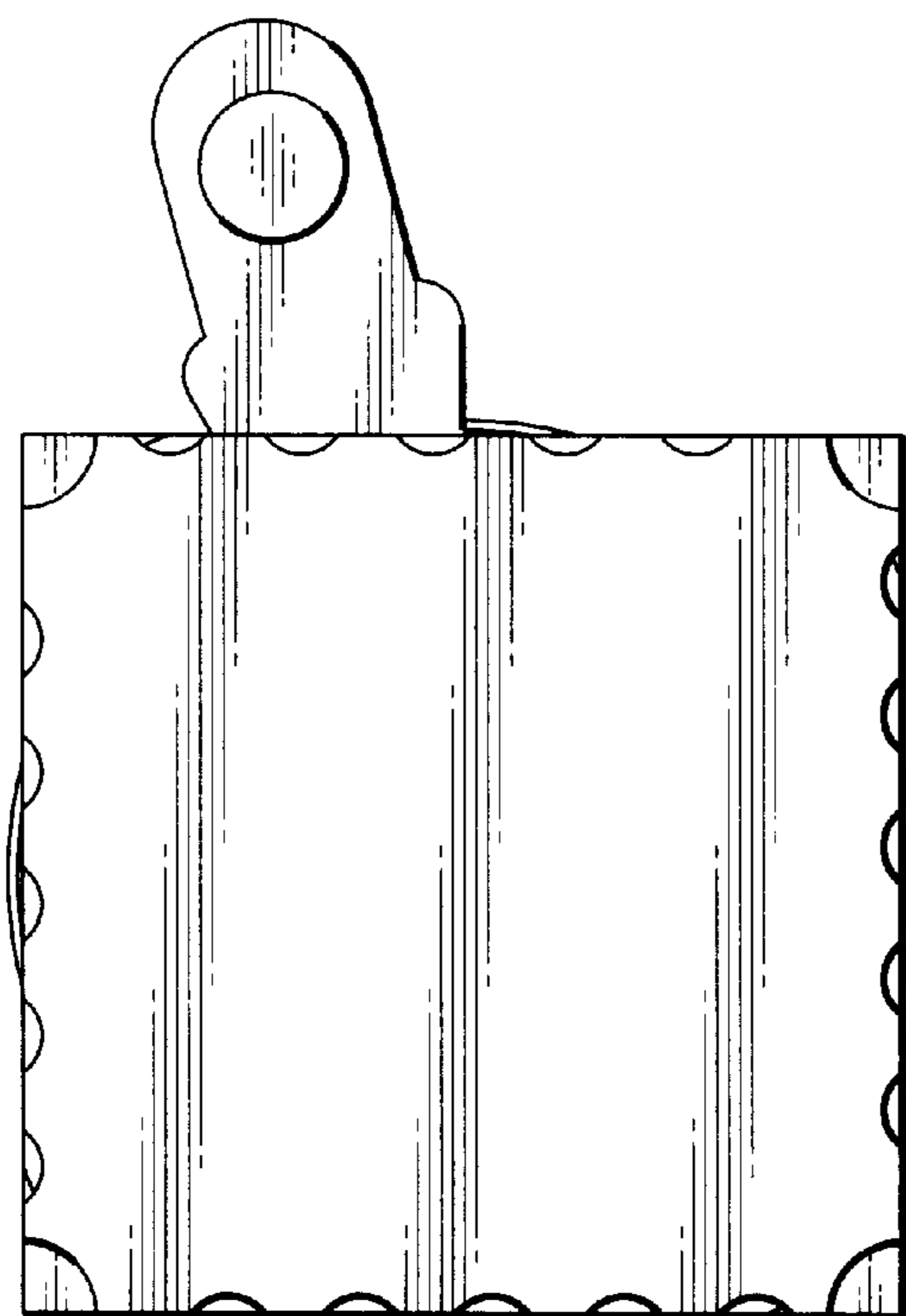


FIG. 6

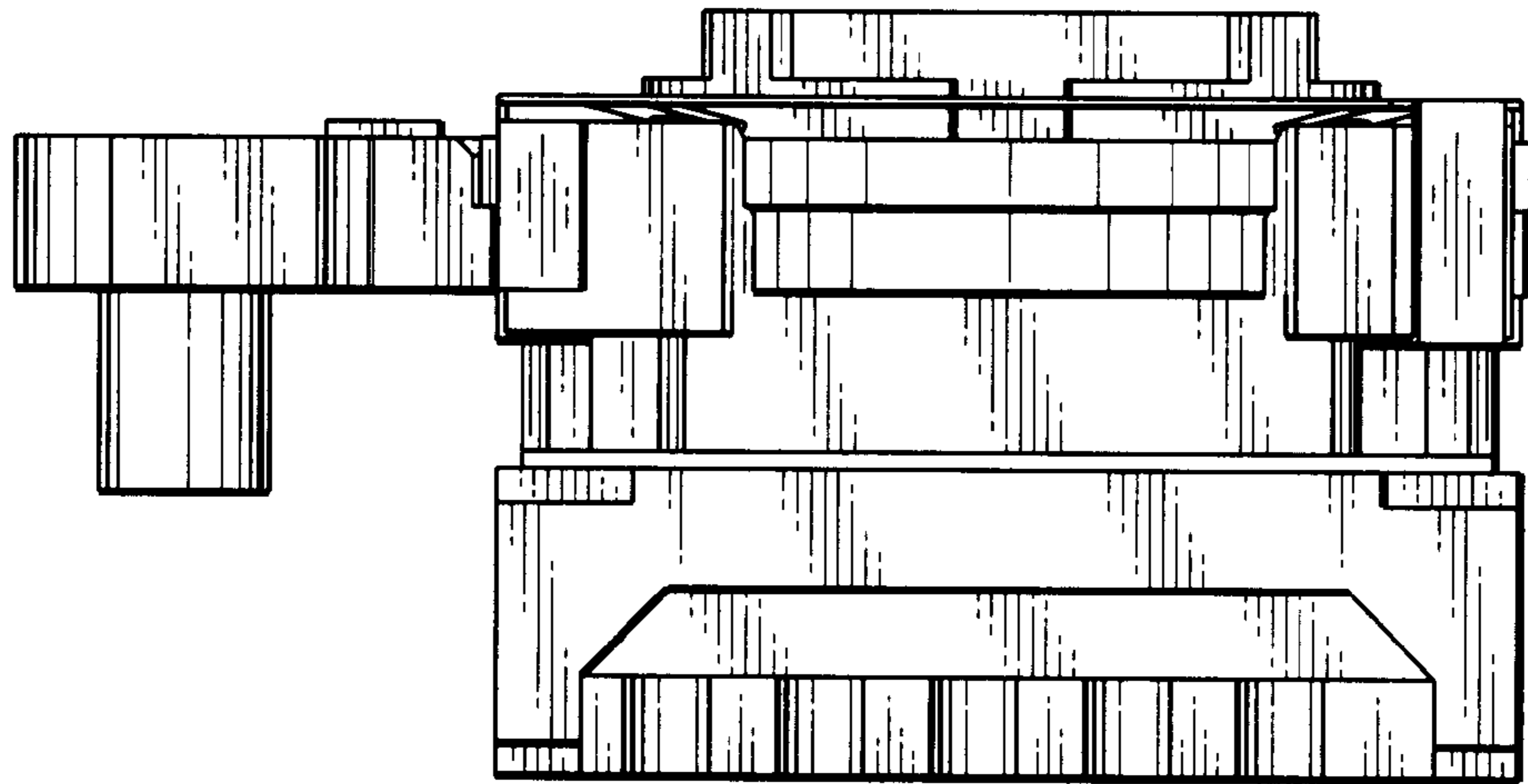


FIG. 7

