



US00D515609S

(12) **United States Design Patent**
Heatherly et al.

(10) **Patent No.:** **US D515,609 S**

(45) **Date of Patent:** **** Feb. 21, 2006**

(54) **DIGITAL CAMERA WITH CRADLE**

2003/0071914 A1 * 4/2003 Wei et al. 348/375

(75) Inventors: **Chris Heatherly**, Pasadena, CA (US);
Jon Guerra, Pasadena, CA (US);
Christian Schluender, Sunnyvale, CA
(US); **Mikal Greaves**, Mountainview,
CA (US); **Allison Conner**, Sunnyvale,
CA (US)

* cited by examiner

Primary Examiner—Adir Aronovich
(74) *Attorney, Agent, or Firm*—Greenburg Traurig, LLP;
Pablo E. Tapia, Esq.; Neer Gupta, Esq.

(73) Assignee: **Disney Enterprises, Inc.**, Burbank, CA
(US)

(57) **CLAIM**

The ornamental design for a digital camera with cradle, as
shown and described.

(**) Term: **14 Years**

DESCRIPTION

(21) Appl. No.: **29/210,874**

FIG. 1 is a front view of a digital camera with cradle
showing our new design;
FIG. 2 is a rear view of the design;
FIG. 3 is a top view of the design;
FIG. 4 is a bottom view of the design;
FIG. 5 is a right side view of the design;
FIG. 6 is a left side view of the design;
FIG. 7 is a front view of the design with the camera shown
detached from the cradle;
FIG. 8 is top view of the cradle, the camera removed for ease
of illustration; and,
FIG. 9 is bottom view of the camera, the cradle removed for
ease of illustration.

(22) Filed: **Aug. 5, 2004**

(51) **LOC (8) Cl.** **16-01**

(52) **U.S. Cl.** **D16/208; D16/202; D16/242**

(58) **Field of Classification Search** D16/200–205,
D16/208, 218, 242; D21/514; 248/176.1,
248/187.1; 348/373–376; 396/419, 427
See application file for complete search history.

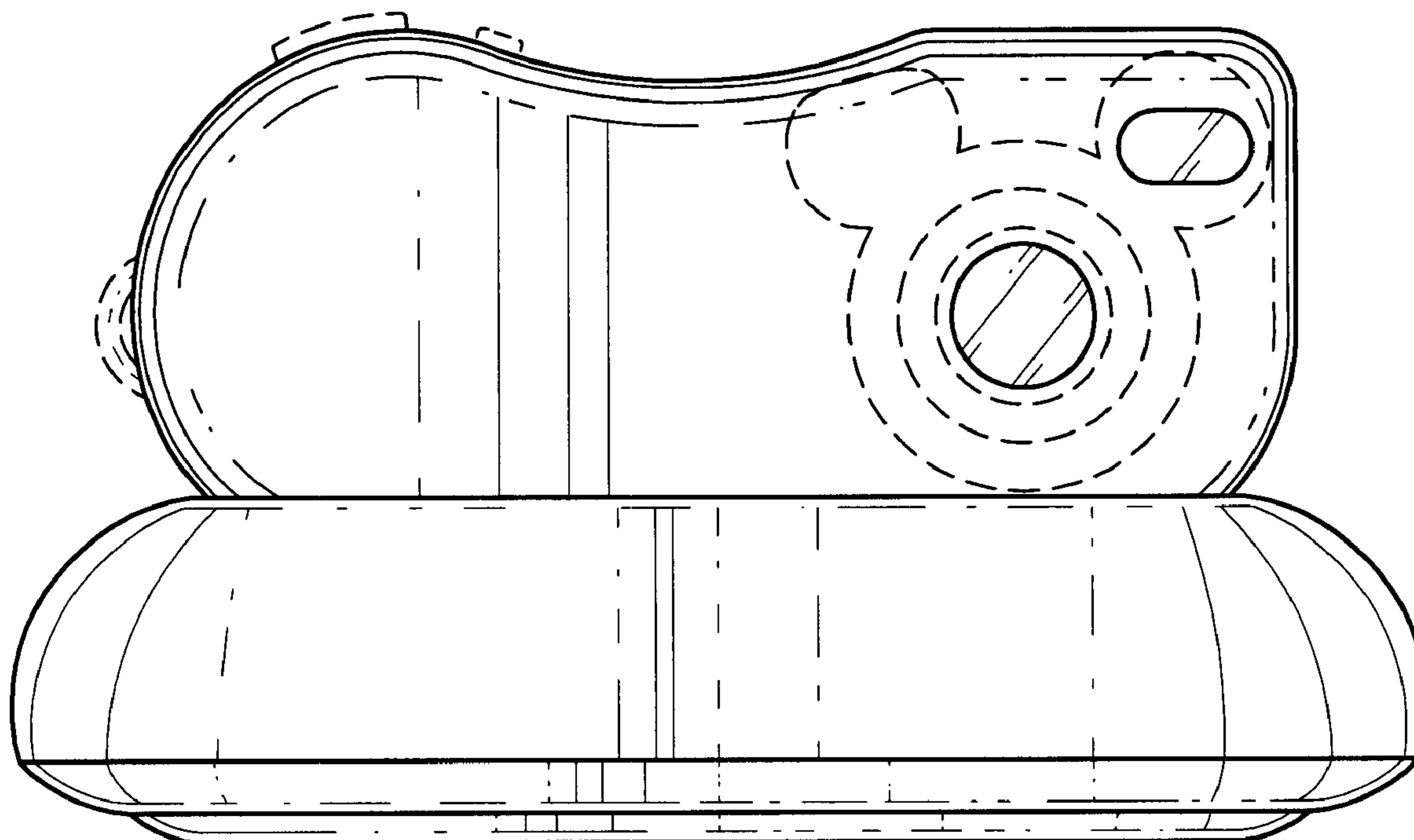
The portions of the article in broken lines are shown for
illustrative purposes only and form no part of the claimed
design.

(56) **References Cited**

U.S. PATENT DOCUMENTS

- D450,073 S * 11/2001 Sumita D16/202
- D478,923 S * 8/2003 Han D16/202
- D484,520 S * 12/2003 Jin D16/202
- 2002/0186319 A1 * 12/2002 Whitby et al. 348/375

1 Claim, 4 Drawing Sheets



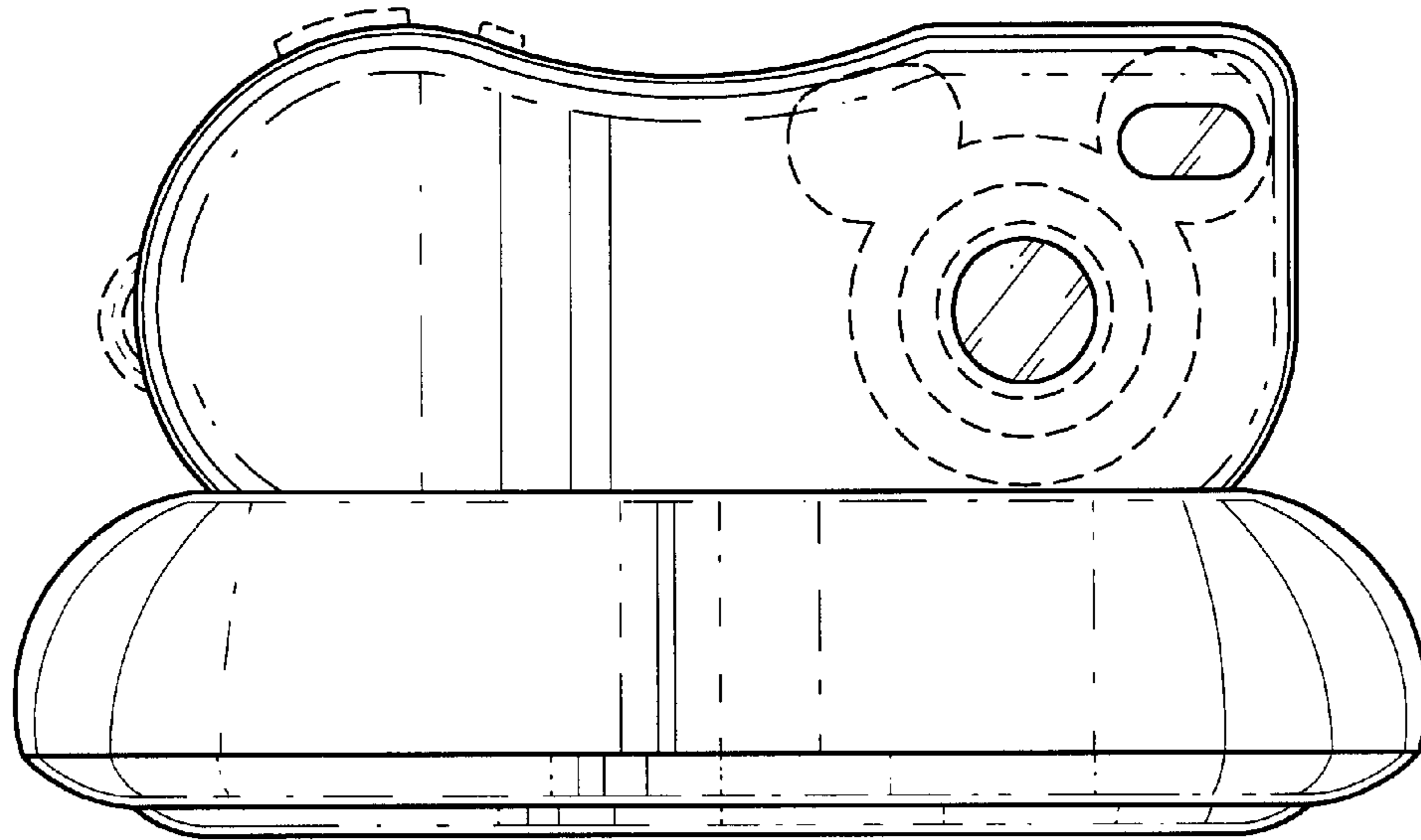


FIG. 1

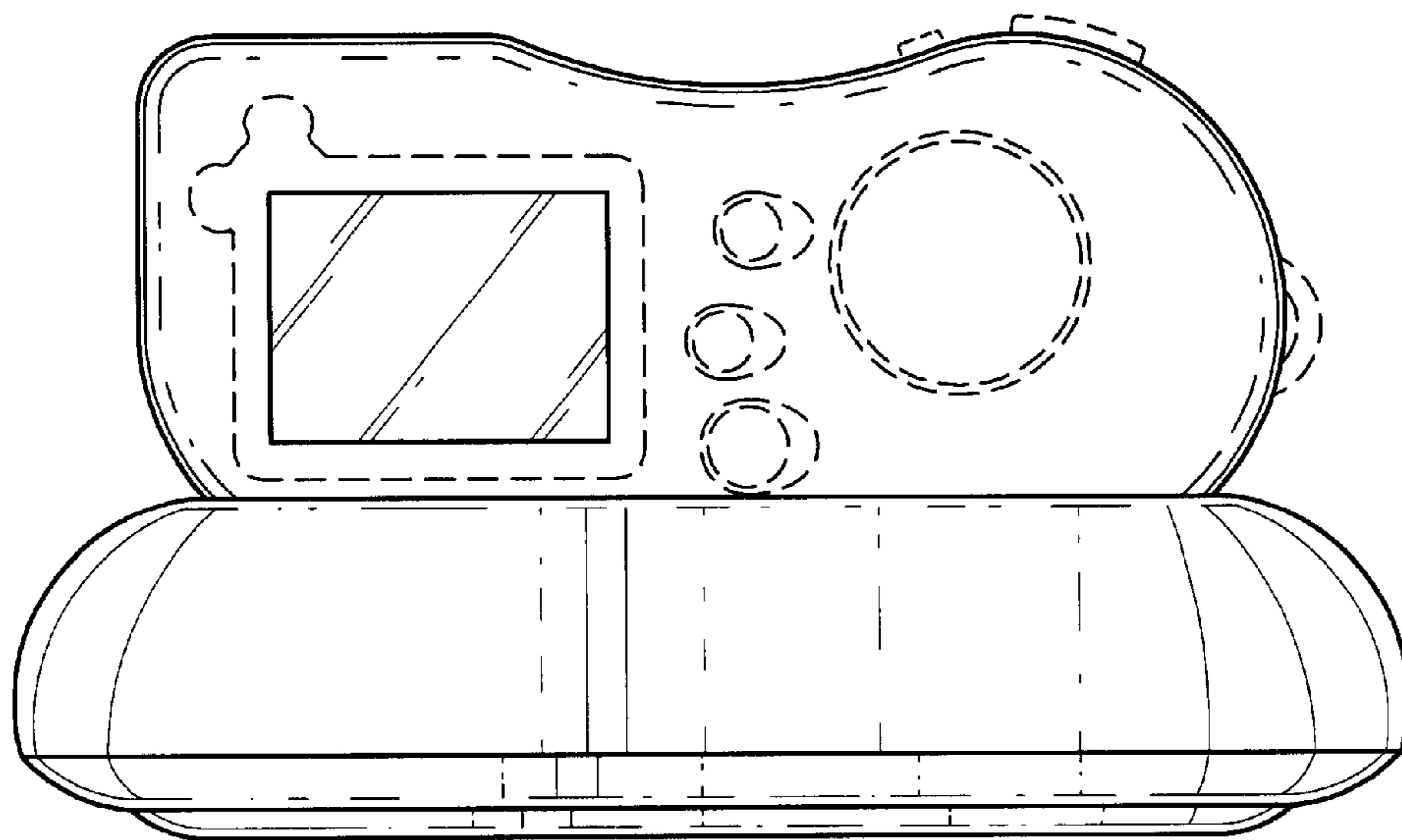


FIG. 2

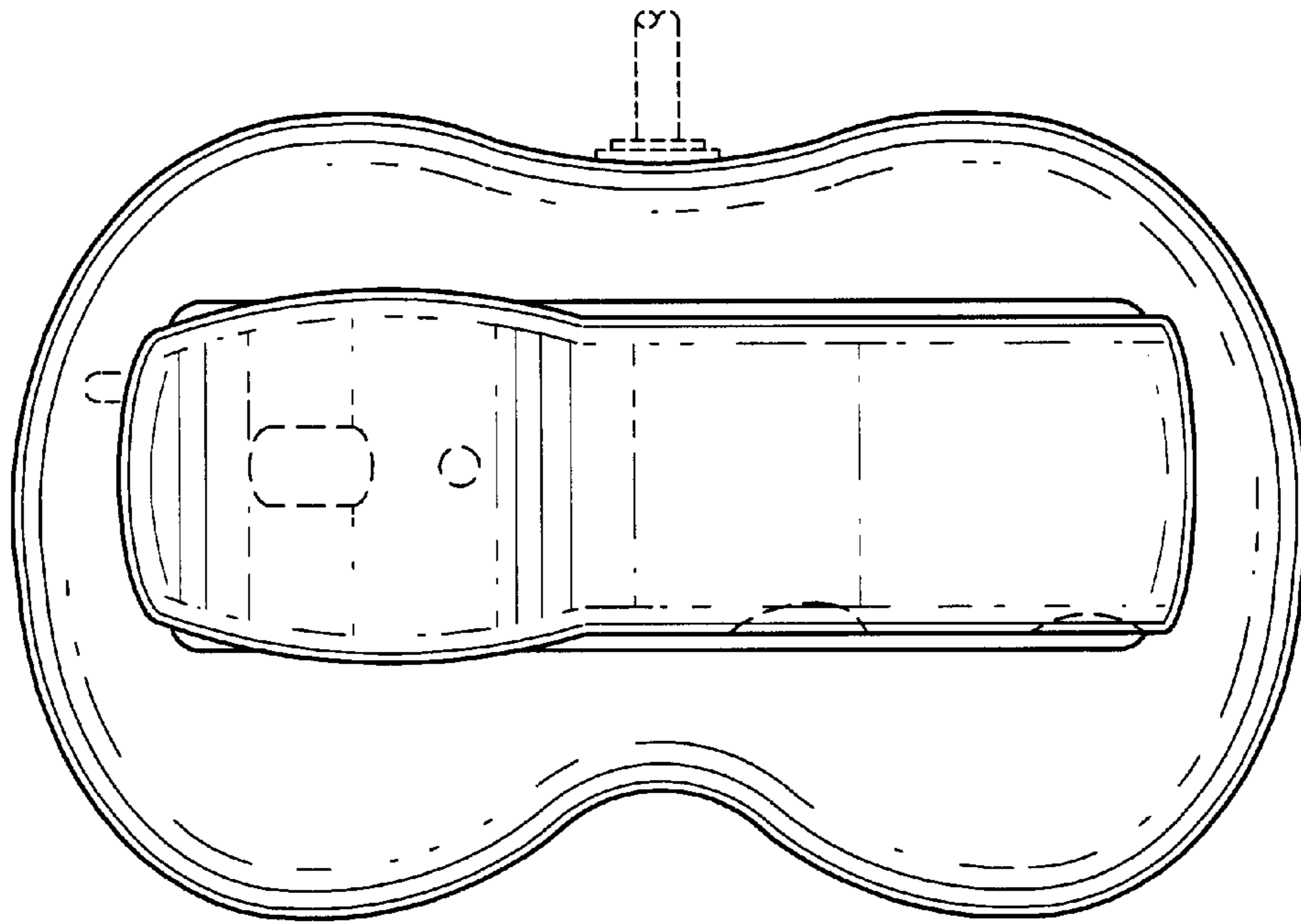


FIG. 3

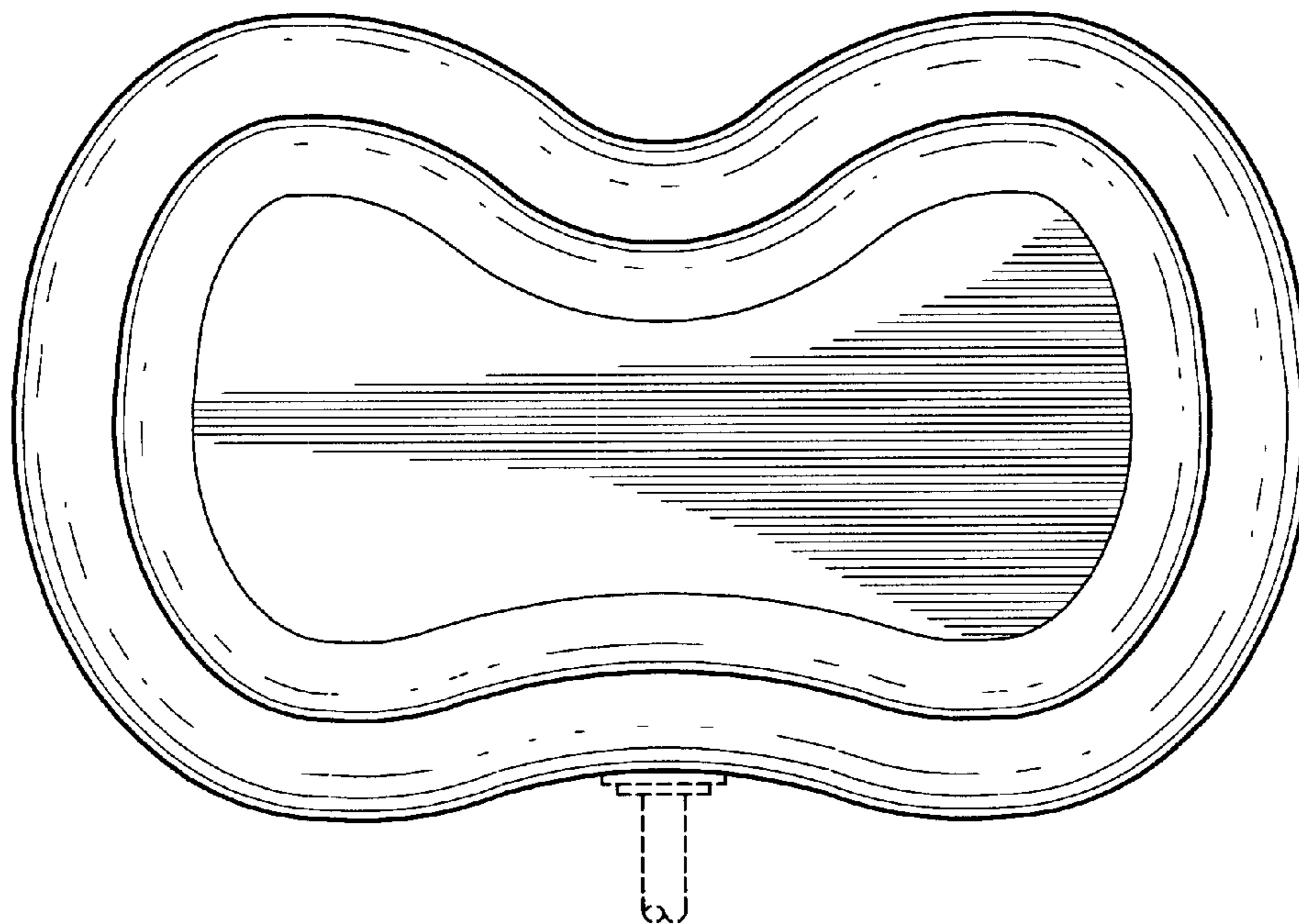


FIG. 4

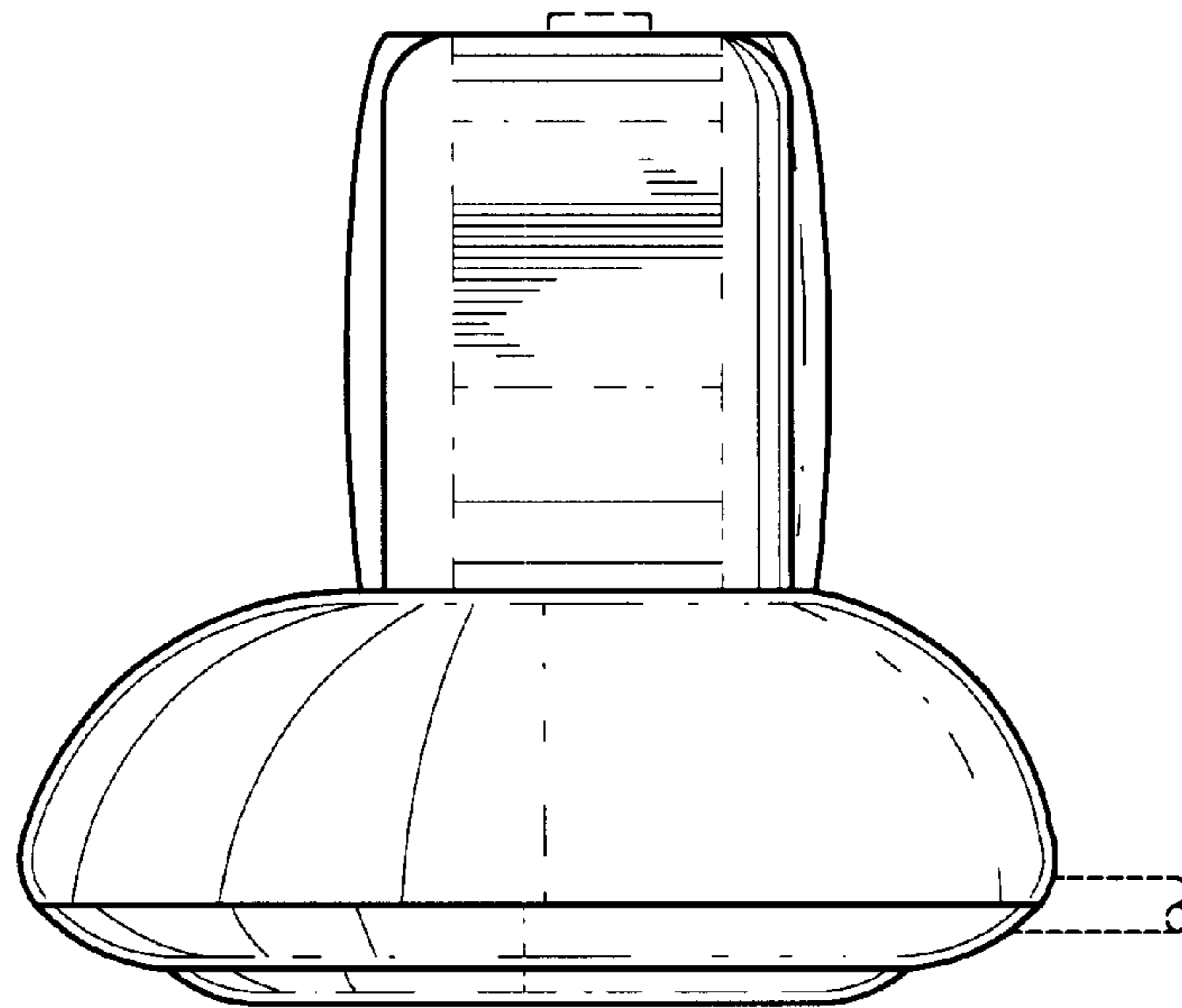


FIG. 5

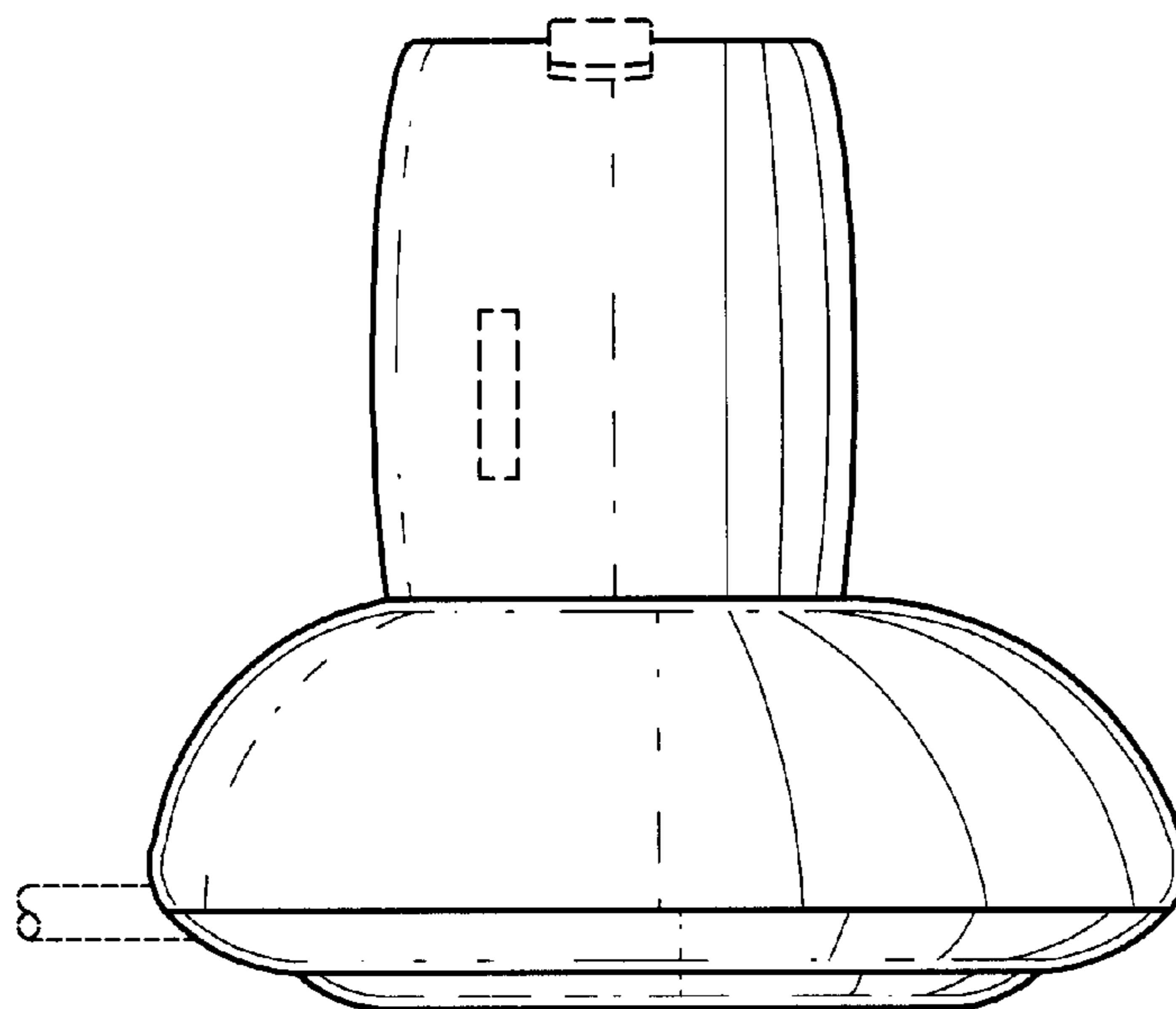


FIG. 6

FIG. 7

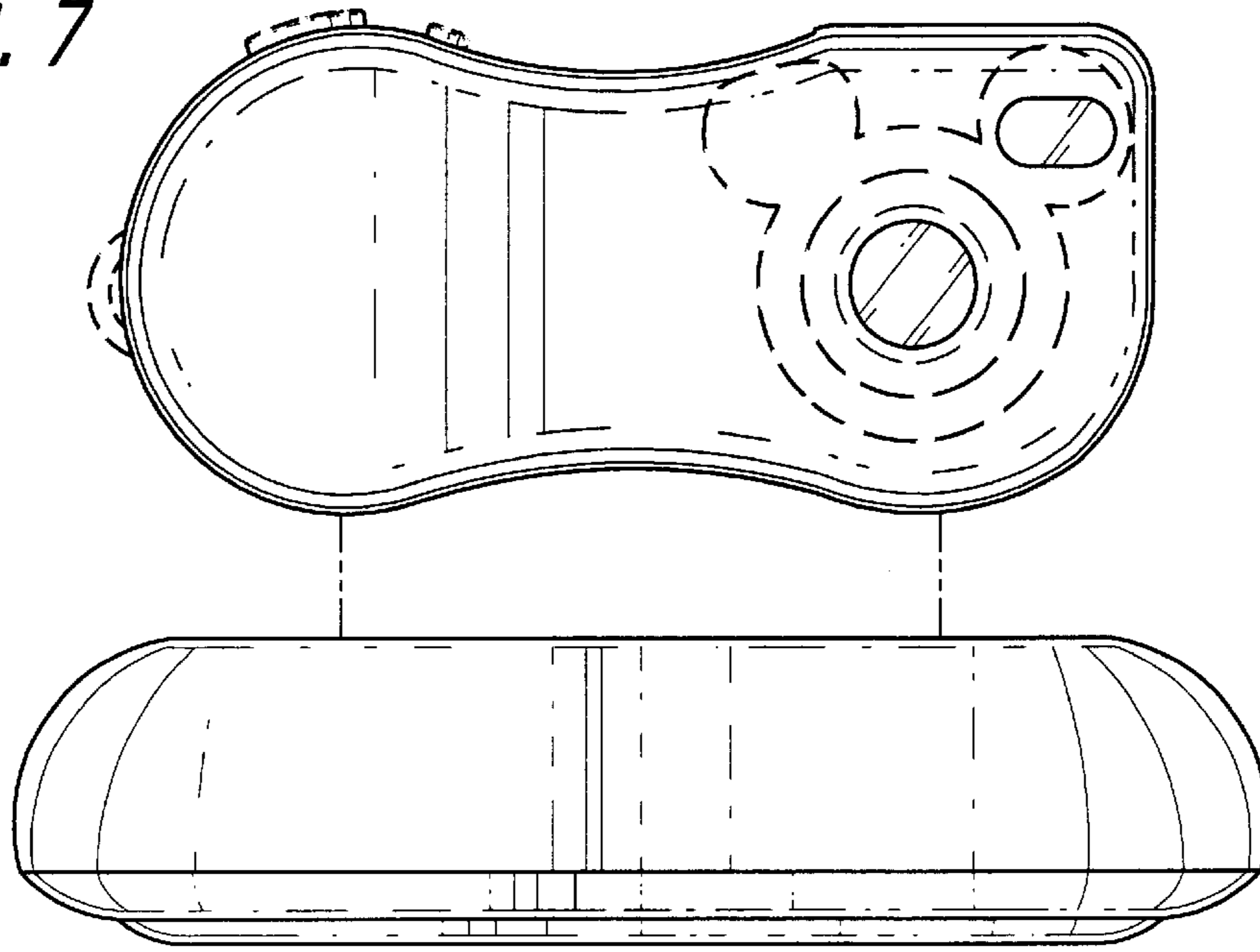


FIG. 8

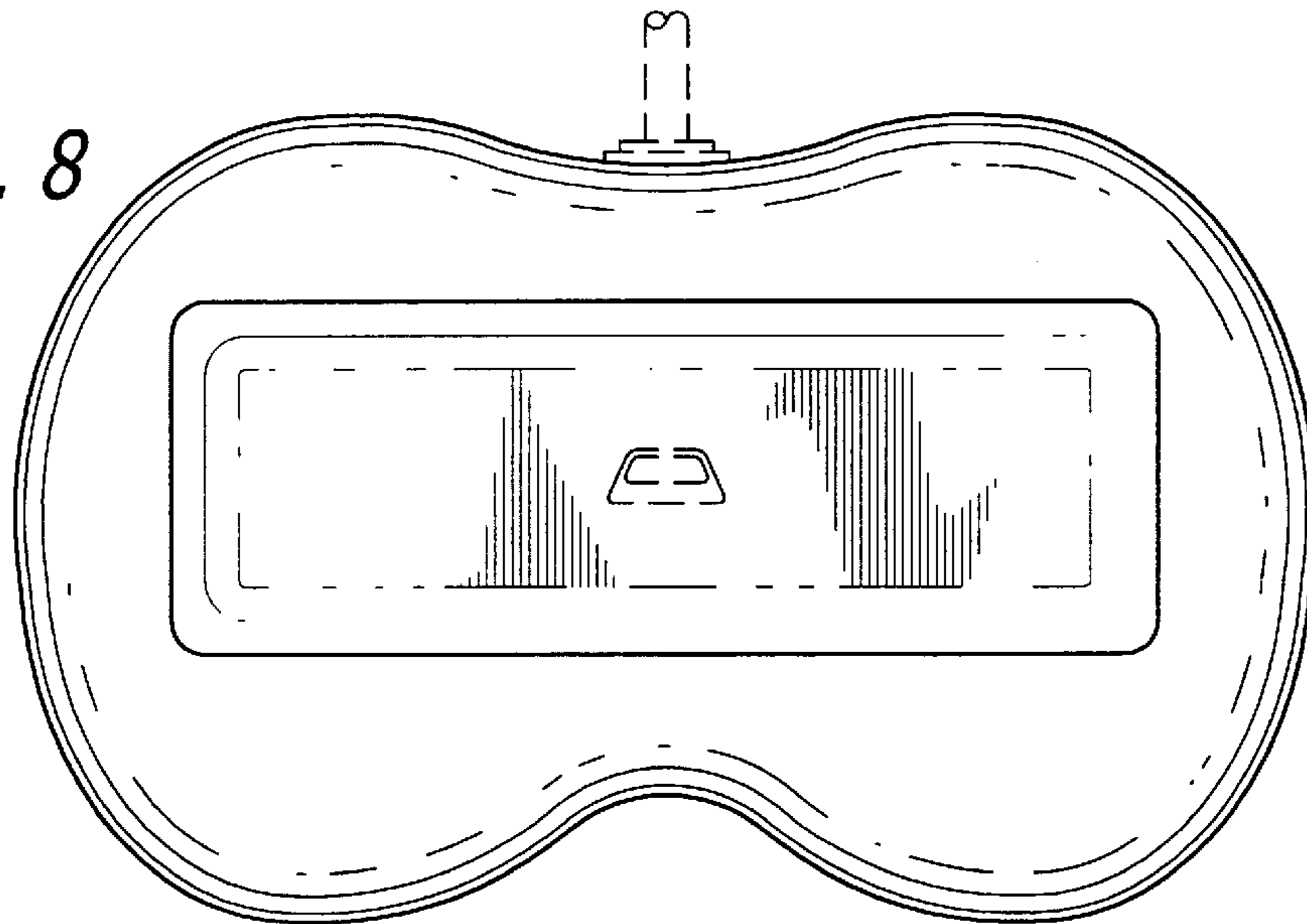
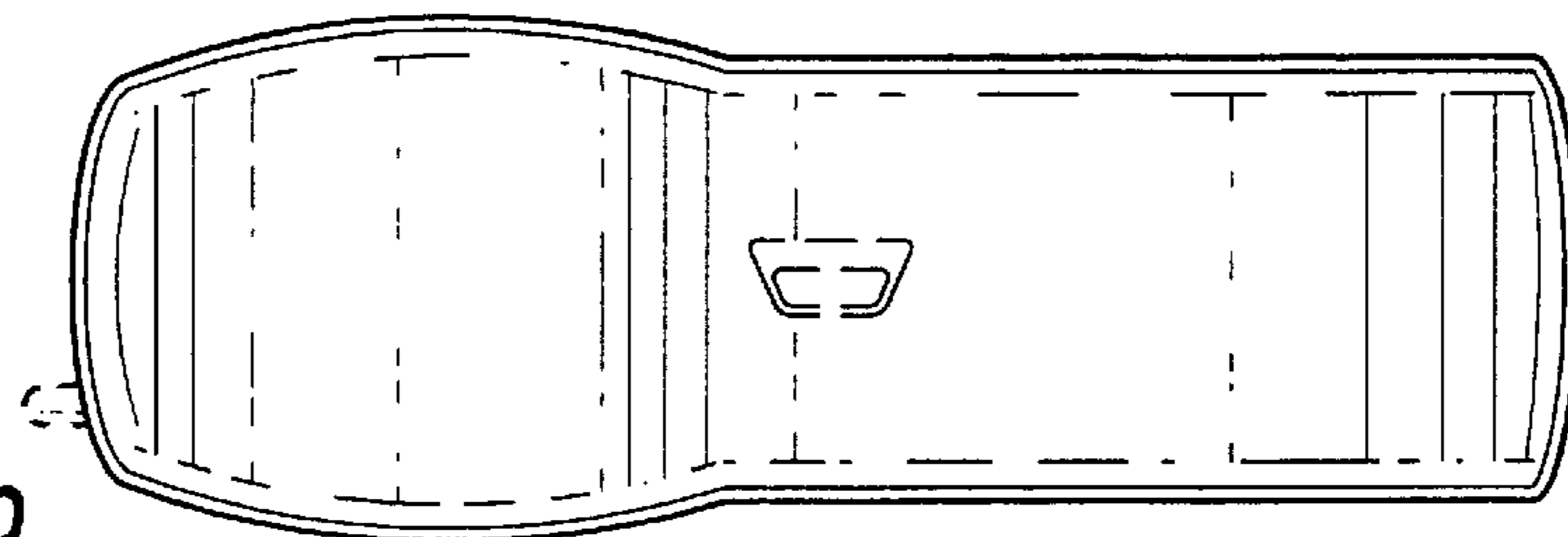


FIG. 9



UNITED STATES PATENT AND TRADEMARK OFFICE
CERTIFICATE OF CORRECTION

PATENT NO. : Des. 515,609 S
APPLICATION NO. : 29/210874
DATED : February 21, 2006
INVENTOR(S) : Chris Heatherly et al.

Page 1 of 1

It is certified that error appears in the above-identified patent and that said Letters Patent is hereby corrected as shown below:

In the description of Figure 8, before the words "the camera" insert the word "with."

In the description of Figure 9, before the words "the camera" insert the word "with."

Signed and Sealed this

First Day of August, 2006

A handwritten signature in black ink on a light gray dotted background. The signature reads "Jon W. Dudas" in a cursive style.

JON W. DUDAS

Director of the United States Patent and Trademark Office