



US00D515607S

(12) **United States Design Patent**  
**Cheng**

(10) **Patent No.:** **US D515,607 S**

(45) **Date of Patent:** **\*\* Feb. 21, 2006**

(54) **MONITORING CAMERA**

(76) **Inventor:** **Yi-Jen Cheng**, 9F, No. 21, Sec. 2,  
Chorngder 2 Rd., Taichung (TW)

(\*\*) **Term:** **14 Years**

(21) **Appl. No.:** **29/212,508**

(22) **Filed:** **Sep. 2, 2004**

(51) **LOC (8) Cl.** ..... **16-01**

(52) **U.S. Cl.** ..... **D16/203**

(58) **Field of Classification Search** ..... D16/200–206,  
D16/208, 218; 348/143, 151, 373–376; 358/906;  
396/427, 433, 535–541

See application file for complete search history.

(56) **References Cited**

**U.S. PATENT DOCUMENTS**

D307,915 S *	5/1990	Kuester, III	.....	D16/203
D392,300 S *	3/1998	Chow et al.	.....	D16/203
6,618,092 B2 *	9/2003	Alessio et al.	.....	348/373
D481,407 S *	10/2003	Alessio	.....	D16/203
D497,928 S *	11/2004	Cheng-Yuan	.....	D16/203
2001/0015765 A1 *	8/2001	Marchesini	.....	348/373

\* cited by examiner

*Primary Examiner*—Adir Aronovich

(74) *Attorney, Agent, or Firm*—Alan D. Kamrath; Nikolai & Mersereau, P.A.

(57) **CLAIM**

The ornamental design for a monitoring camera, as shown and described.

**DESCRIPTION**

FIG. 1 is a perspective view of a monitoring camera, showing my new design;

FIG. 2 is a front view thereof;

FIG. 3 is a rear view thereof;

FIG. 4 is a left side view thereof;

FIG. 5 is a right side view thereof;

FIG. 6 is top view thereof;

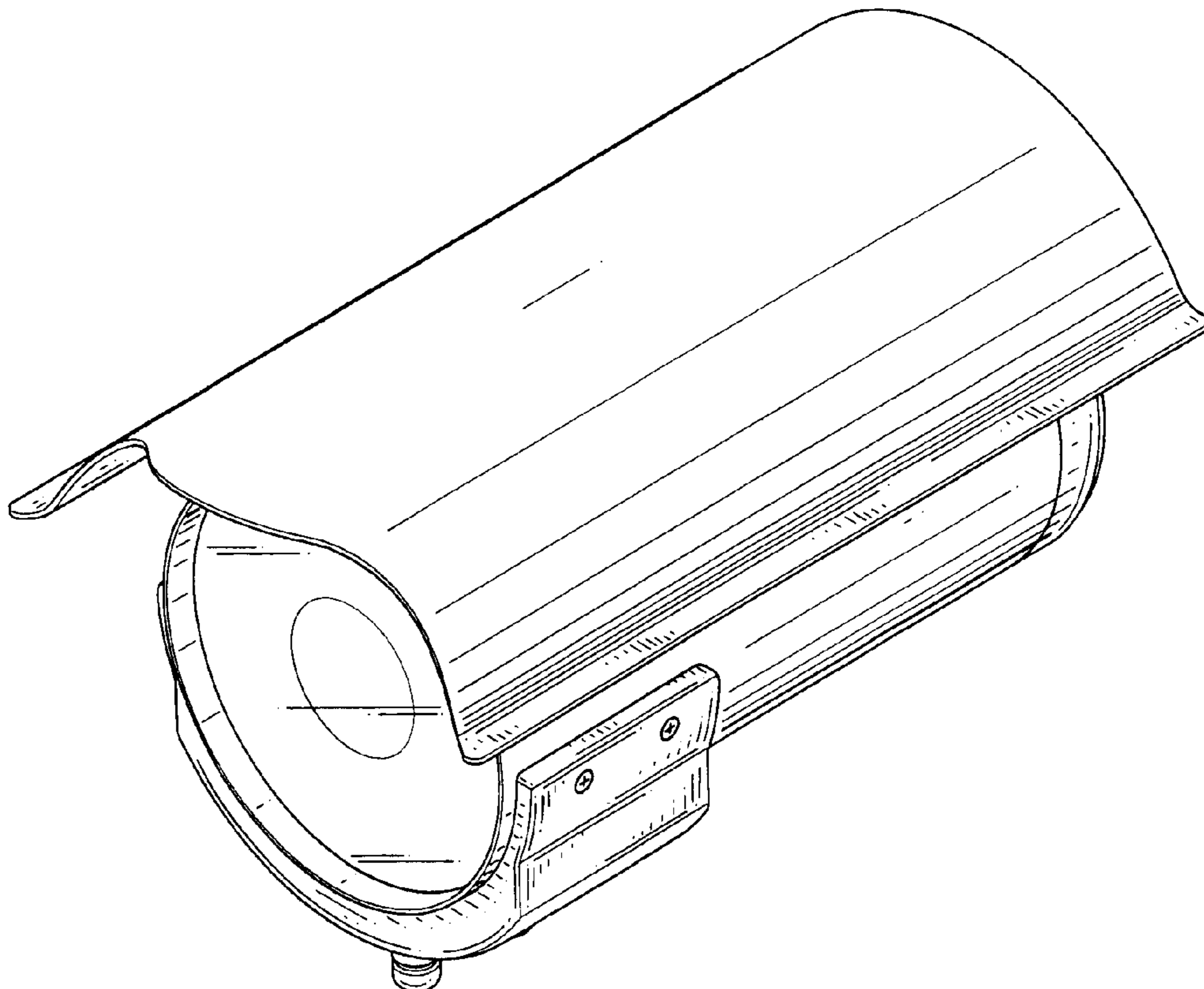
FIG. 7 is a bottom view thereof;

FIG. 8 is a right side elevational view thereof, wherein a handle is pulled out of the frame; and,

FIG. 9 is a reduced perspective view thereof.

The broken line showing of an environmental structure in FIGS. 8 and 9 is for illustrative purposes only and forms no part of the claimed design.

**1 Claim, 6 Drawing Sheets**



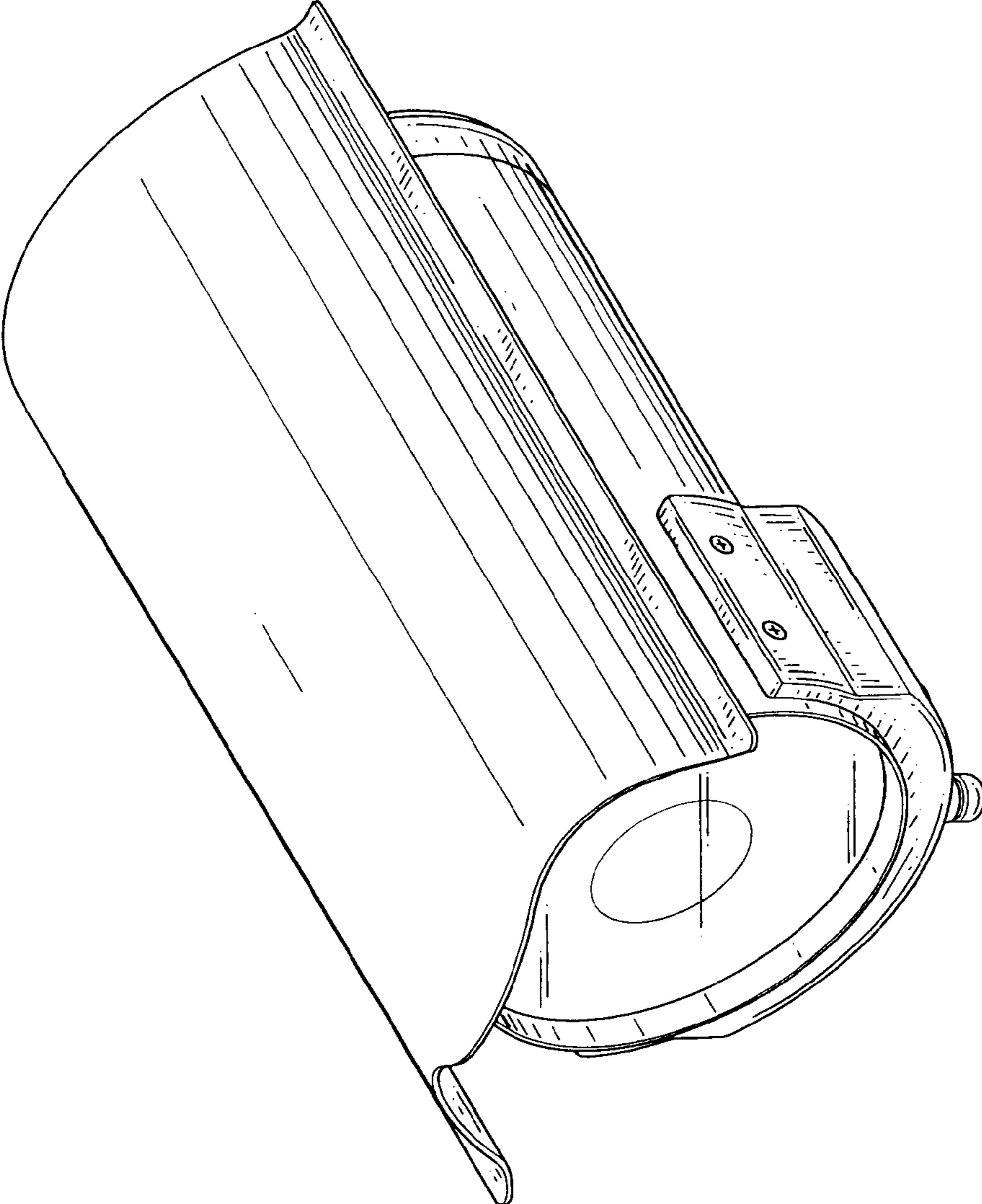


FIG.1

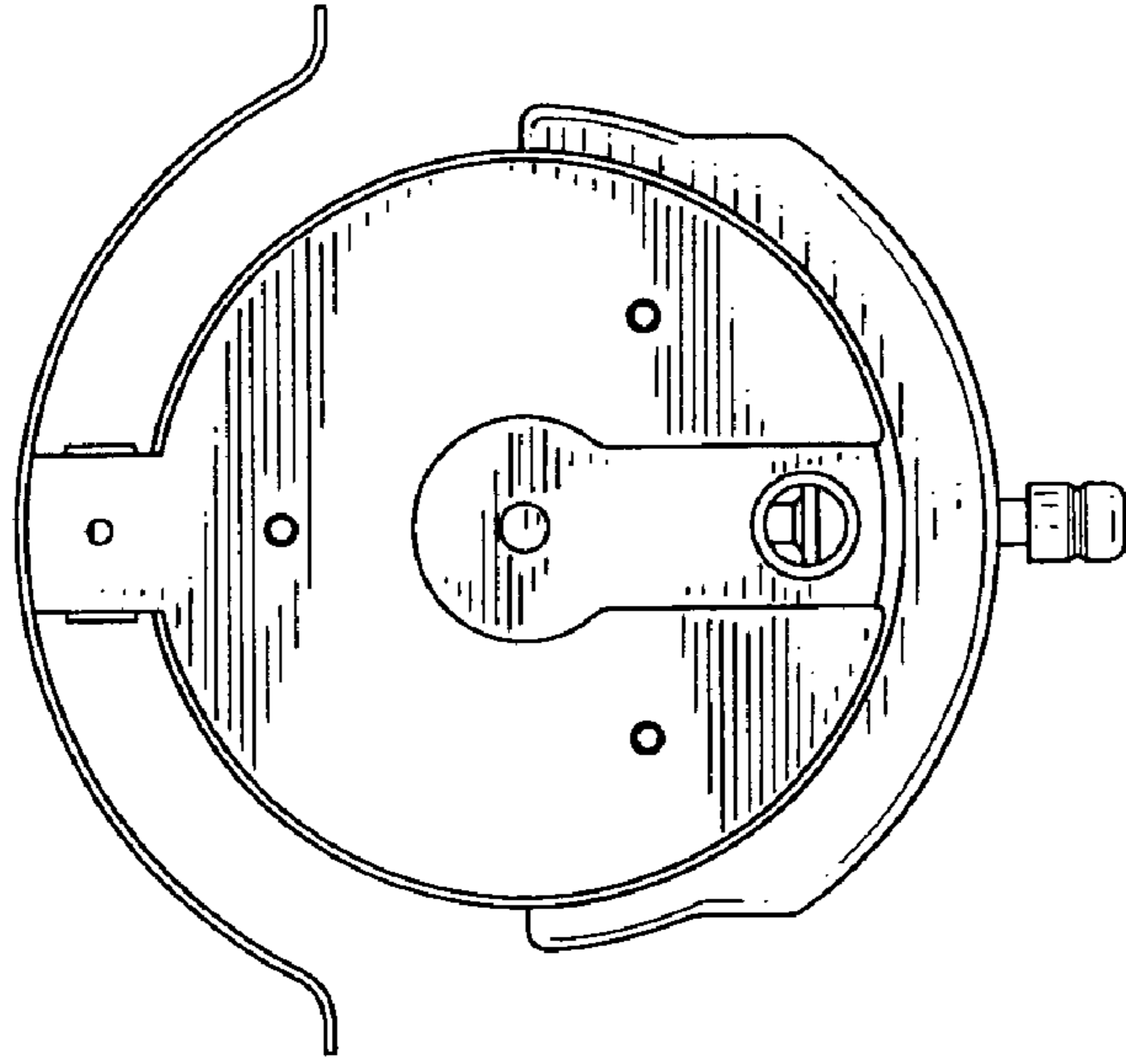


FIG.3

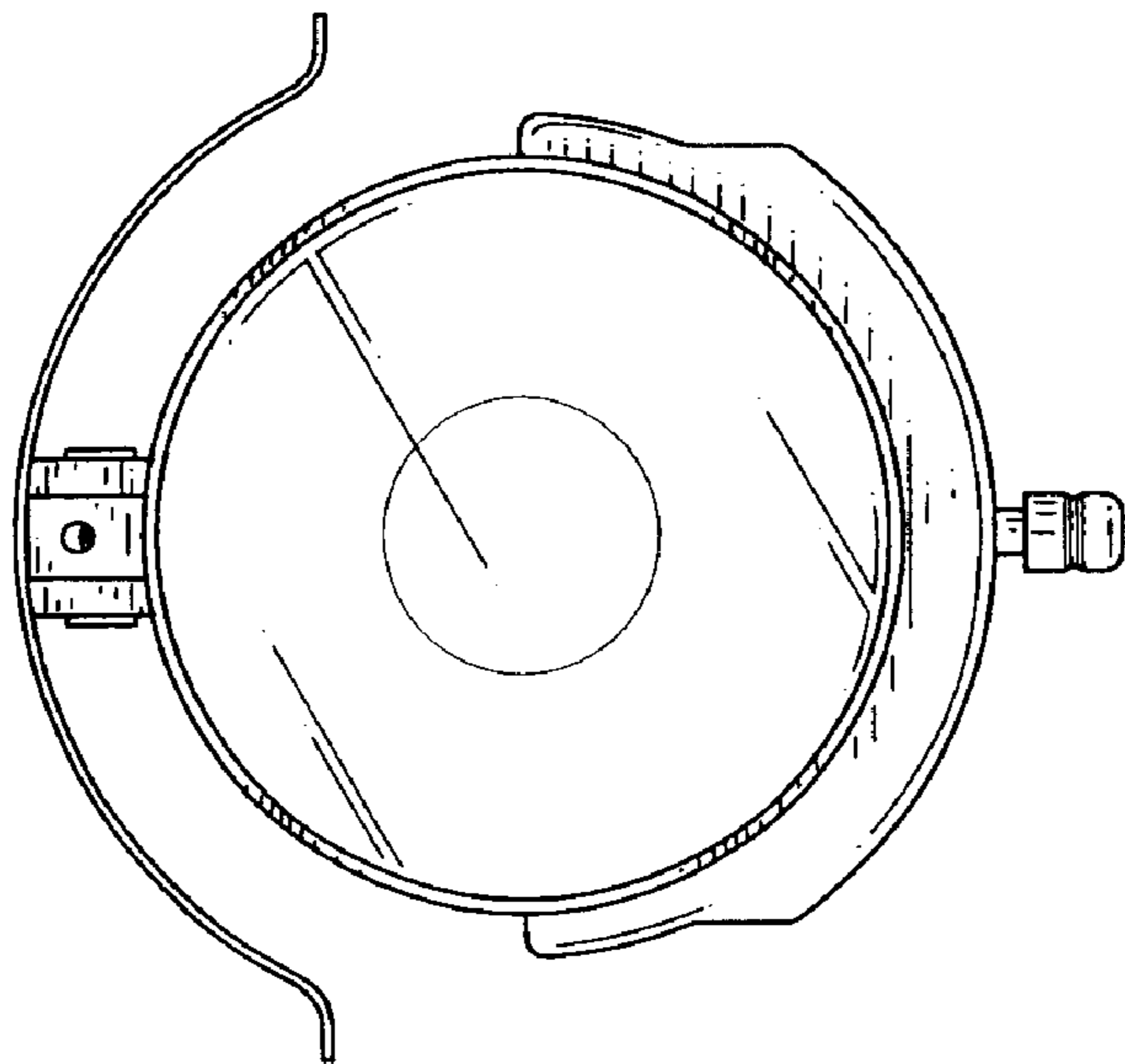


FIG.2

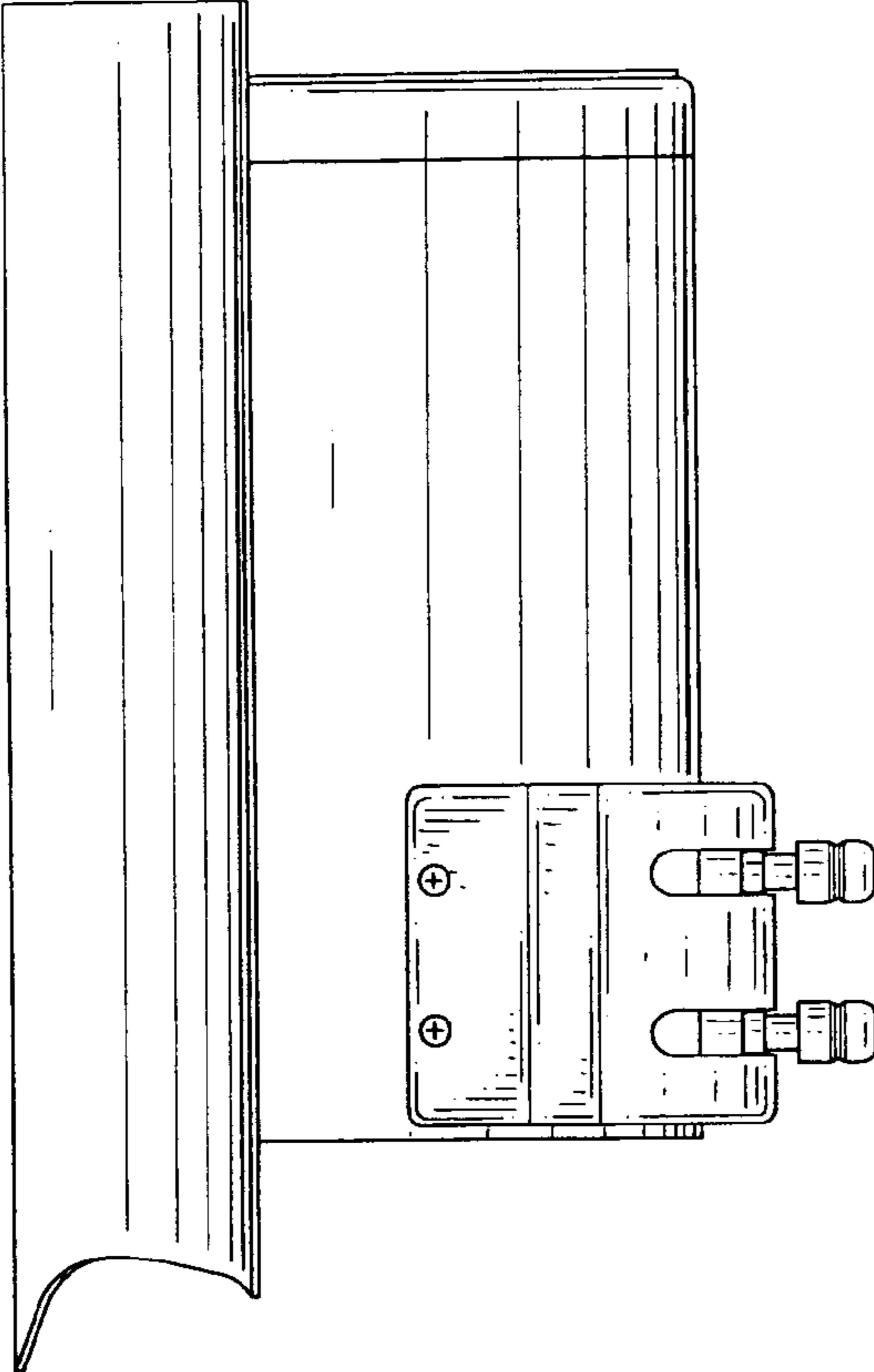


FIG.4

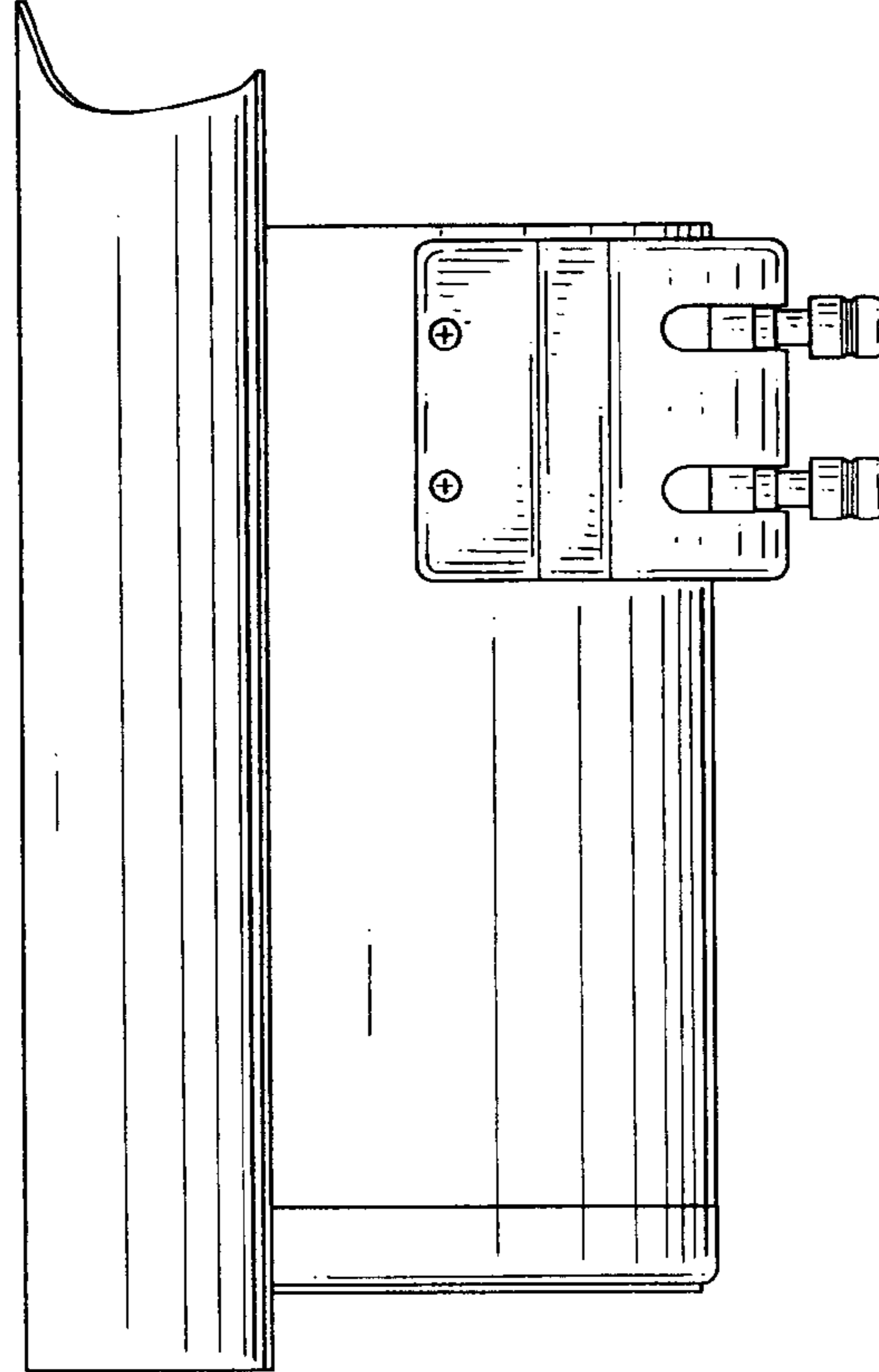


FIG.5

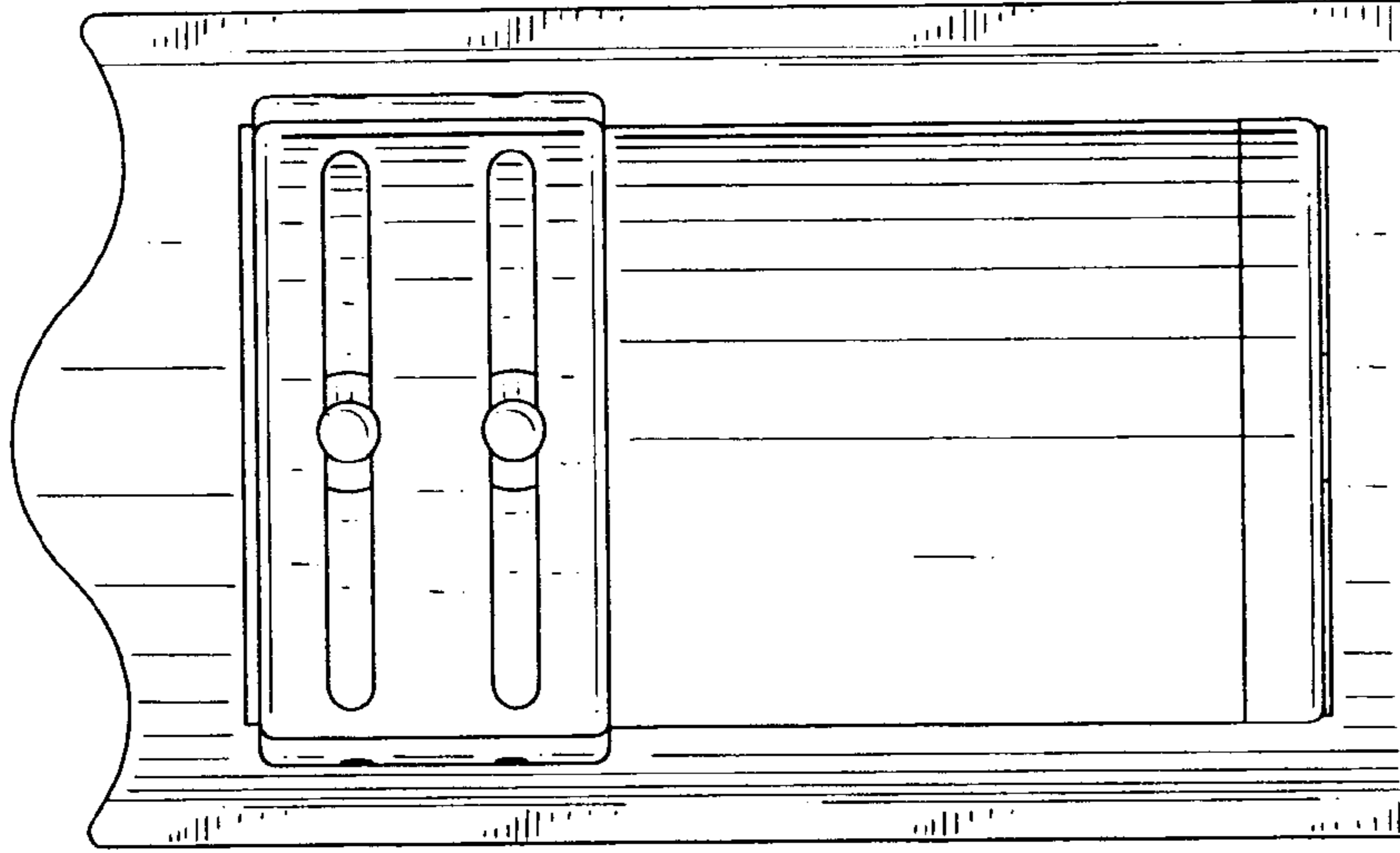


FIG. 7

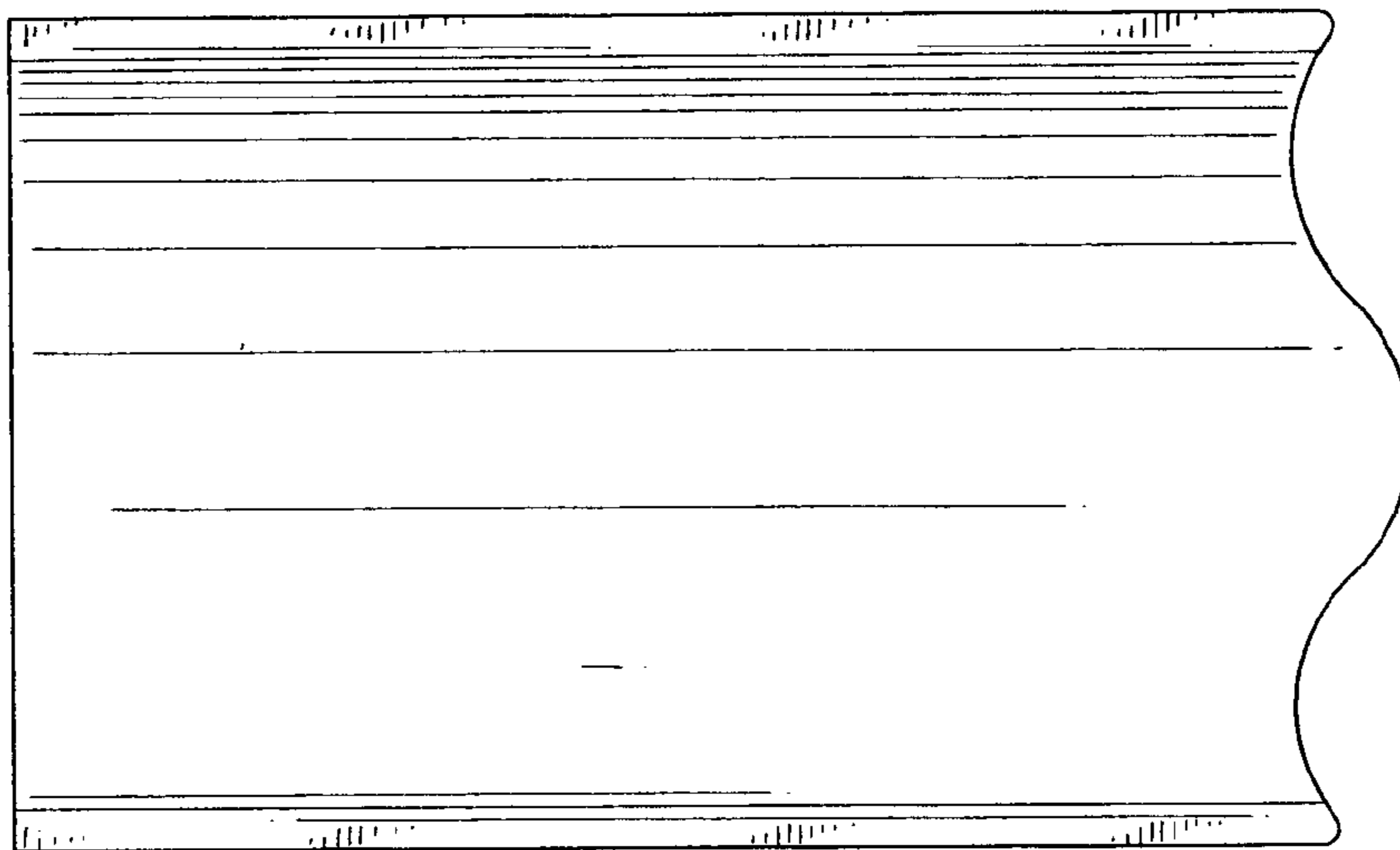


FIG. 6

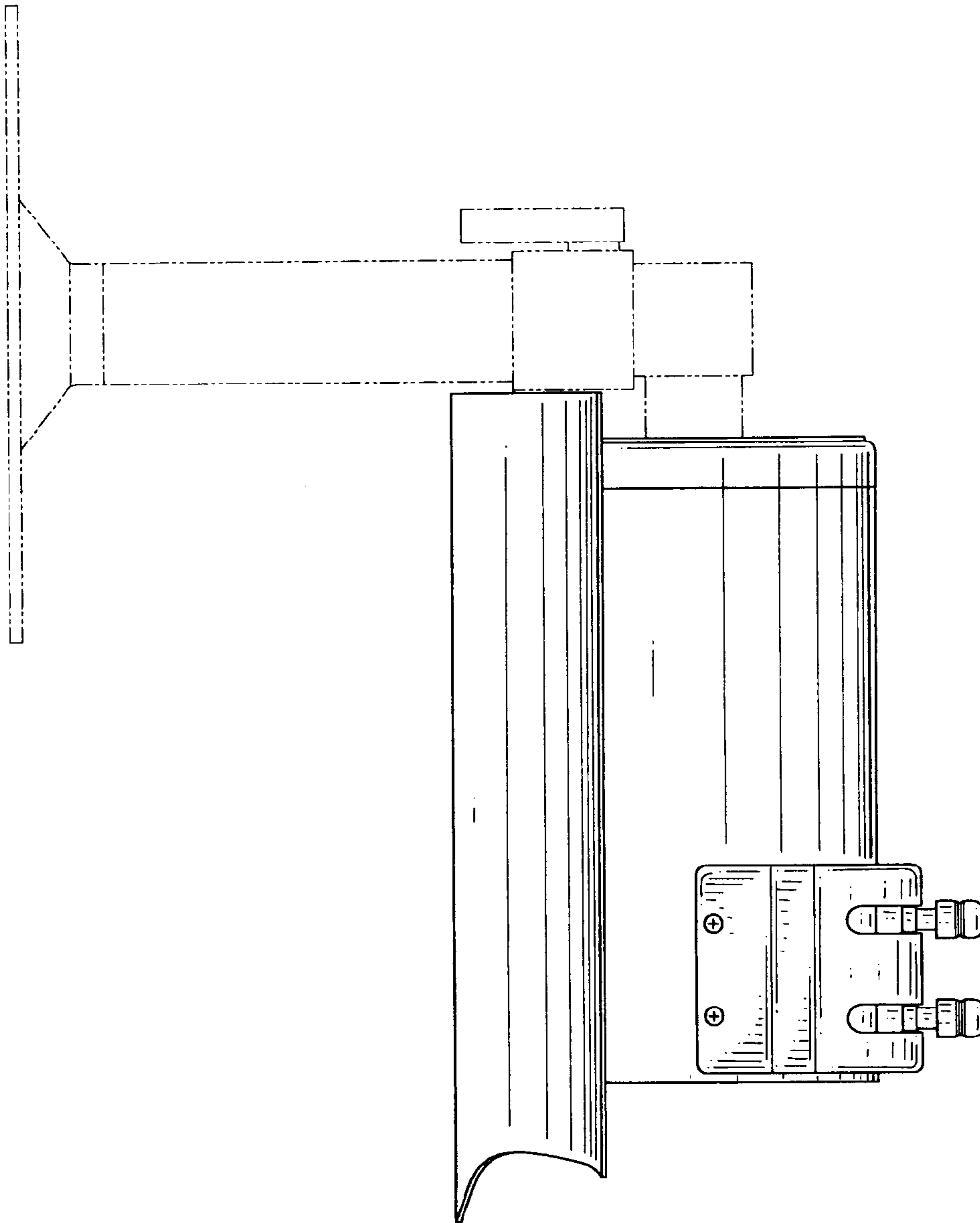


FIG.8



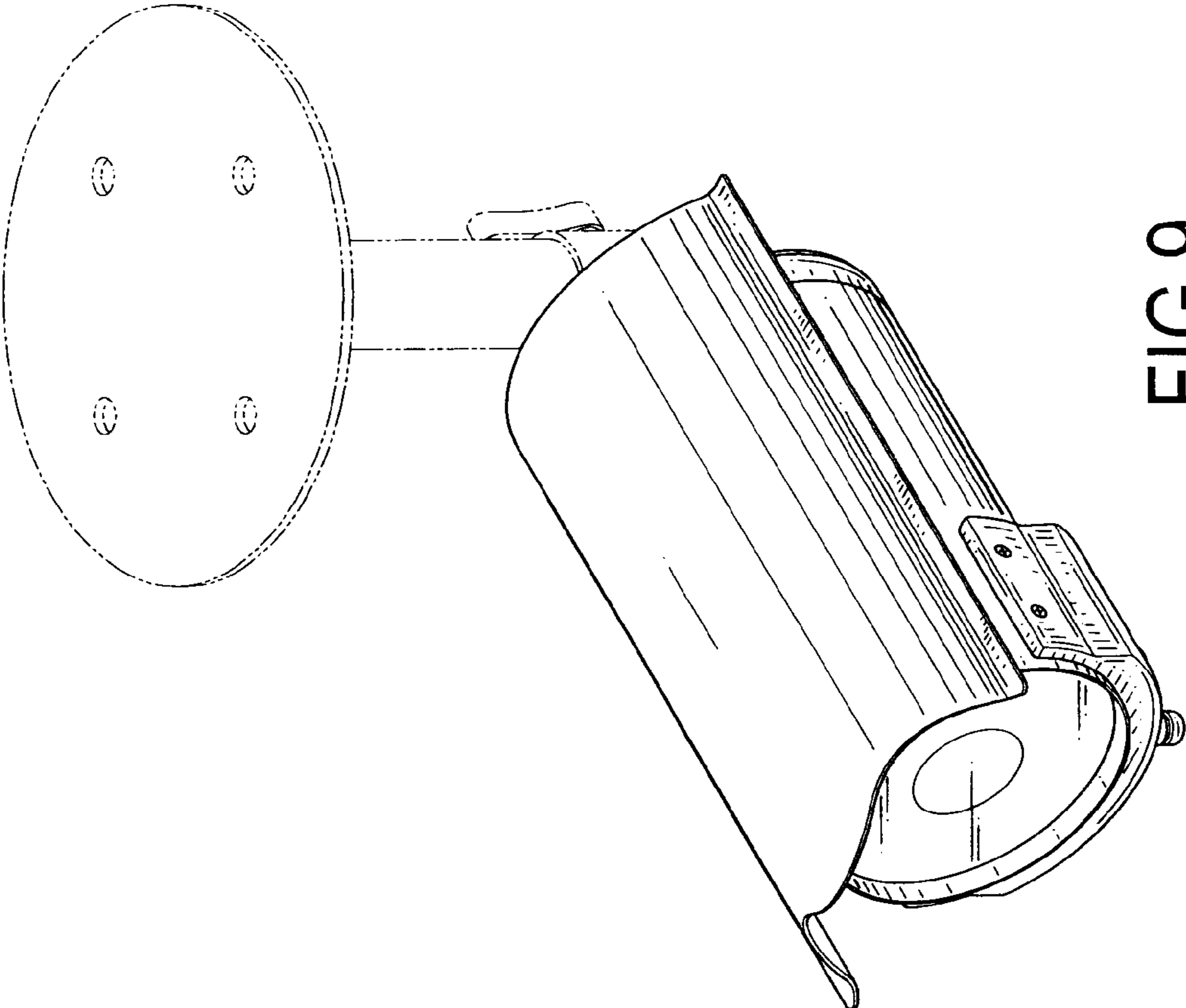


FIG.9