



US00D515606S

(12) **United States Design Patent**
Nakamura

(10) **Patent No.:** **US D515,606 S**

(45) **Date of Patent:** **** Feb. 21, 2006**

(54) **DIGITAL STILL CAMERA**

(75) **Inventor:** **Makoto Nakamura, Kyoto (JP)**

(73) **Assignee:** **Matsushita Electric Industrial Co., Ltd., Osaka (JP)**

(**) **Term:** **14 Years**

(21) **Appl. No.:** **29/215,065**

(22) **Filed:** **Oct. 12, 2004**

(30) **Foreign Application Priority Data**

Apr. 26, 2004 (JP) 2004-012583

(51) **LOC (8) Cl.** **16-01**

(52) **U.S. Cl.** **D16/202; D16/218**

(58) **Field of Classification Search** **D16/200-206, D16/208, 218; 348/373-376; 358/909.1; 396/535-541**

See application file for complete search history.

(56) **References Cited**

U.S. PATENT DOCUMENTS

4,945,372 A	7/1990	Higuchi et al.	
D329,656 S	* 9/1992	Shishikura	D16/217
D370,926 S	* 6/1996	Nakamura	D16/217
D385,569 S	10/1997	Takimura	D16/202
5,678,101 A	10/1997	Mogamiya et al.	348/375
D390,860 S	2/1998	Kim	D16/217
D408,040 S	4/1999	Miyahara	D16/202
D415,513 S	10/1999	Fujii	D16/217
D424,084 S	5/2000	Senda	D16/202
D424,085 S	5/2000	Naito	D16/218
D431,583 S	10/2000	Matsuda	D16/202
D432,150 S	10/2000	Senda	D16/202

D441,001 S	4/2001	Naito	D16/218
D444,163 S	6/2001	Yoshida	D16/202
6,434,337 B1	8/2002	Misawa	D16/202
D462,978 S	9/2002	Nicklos et al.	D16/218
D469,456 S	1/2003	Nakamura et al.	D16/202
D474,793 S	5/2003	Yoshida	D16/202
D484,162 S	12/2003	Moore et al.	D16/218
D486,168 S	2/2004	Nakamura	D16/202
D487,105 S	* 2/2004	Takahashi	D16/202
D494,202 S	* 8/2004	Nakamura	D16/202
D505,684 S	* 5/2005	Gotham et al.	D16/202

OTHER PUBLICATIONS

Panasonic Model "LUMIX DMC-FZ10" Catalog issued before Feb. 21, 2004 by Matsushita Electric Industrial Co.

* cited by examiner

Primary Examiner—Adir Aronovich

(74) *Attorney, Agent, or Firm*—Brinks Hofer Gilson & Lione

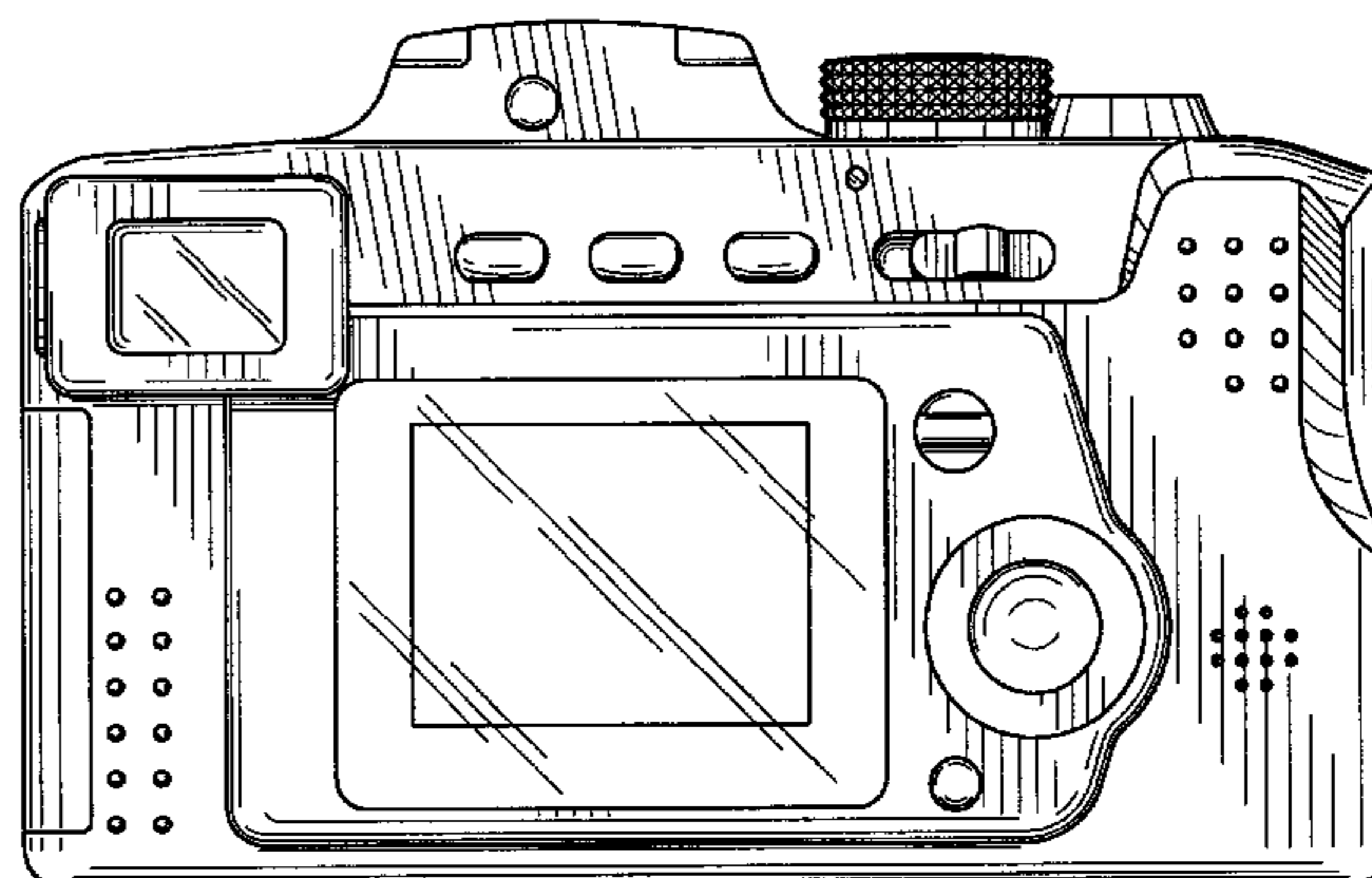
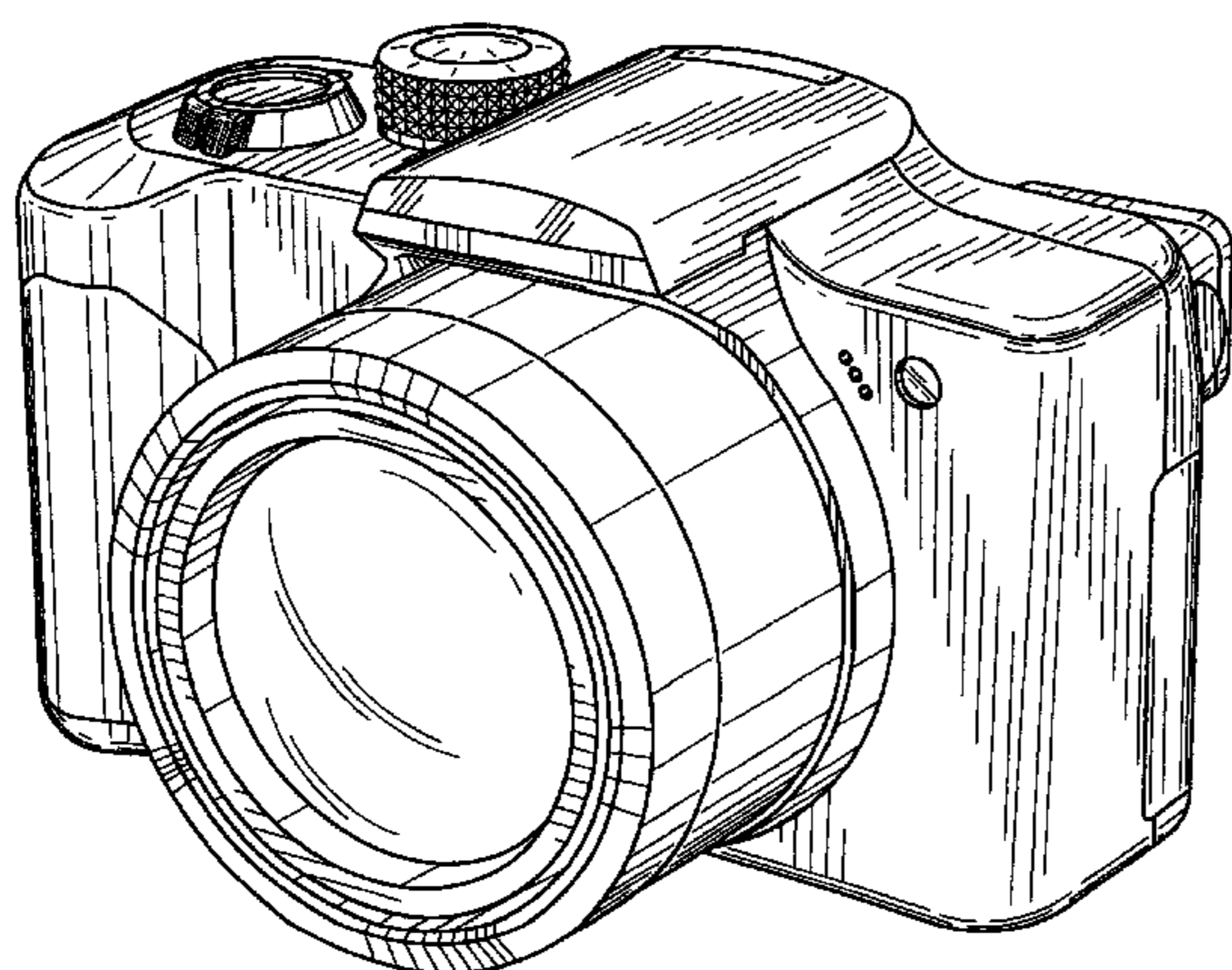
(57) **CLAIM**

I claim the ornamental design for a digital still camera, as shown and described.

DESCRIPTION

FIG. 1 is a top perspective view of a digital still camera of the present invention;
FIG. 2 is a front view thereof;
FIG. 3 is a rear view thereof;
FIG. 4 is a first side view thereof;
FIG. 5 is a second side view thereof;
FIG. 6 is a top view thereof; and,
FIG. 7 is a bottom view thereof.

1 Claim, 7 Drawing Sheets



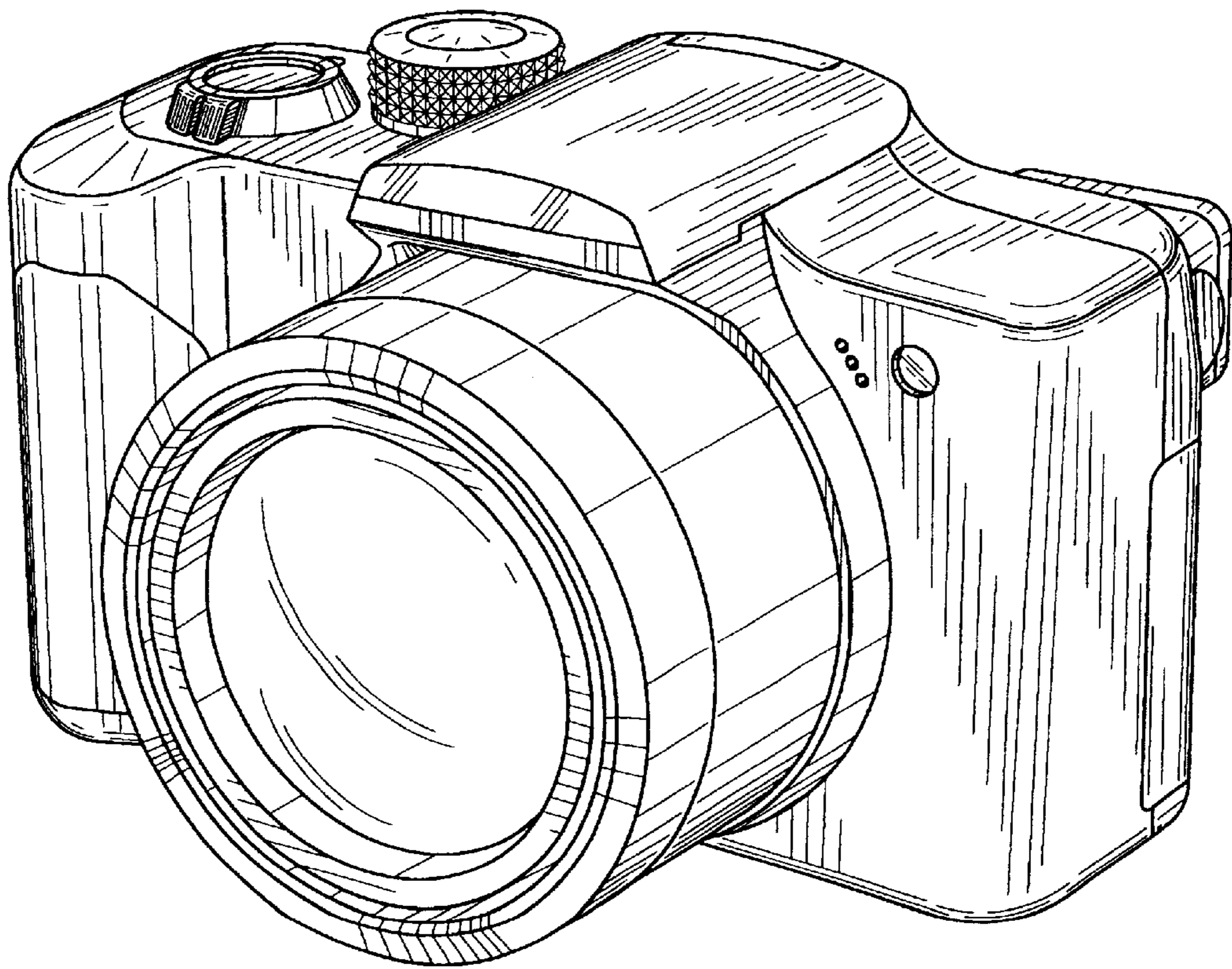


FIG. 1

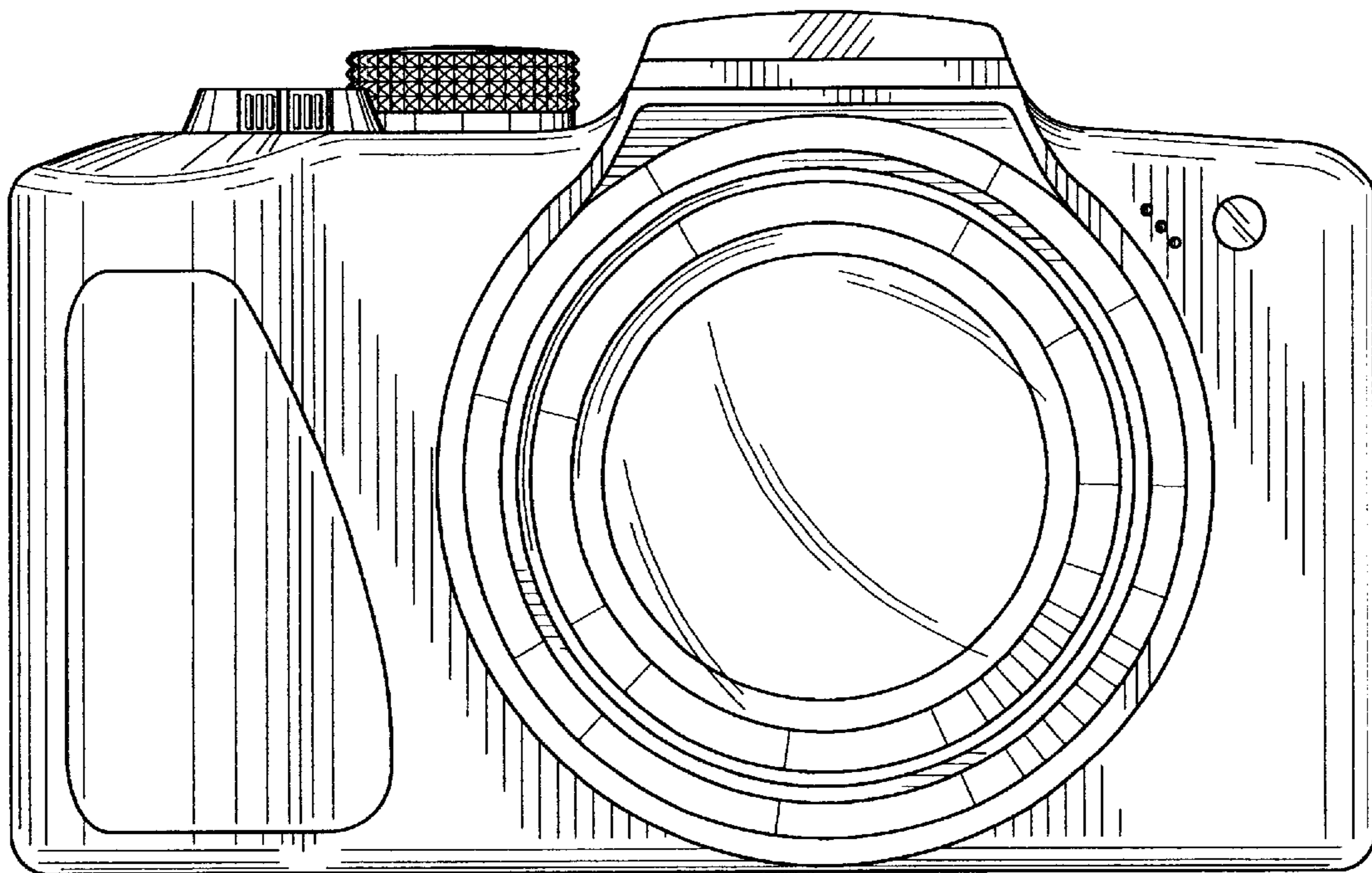


FIG. 2

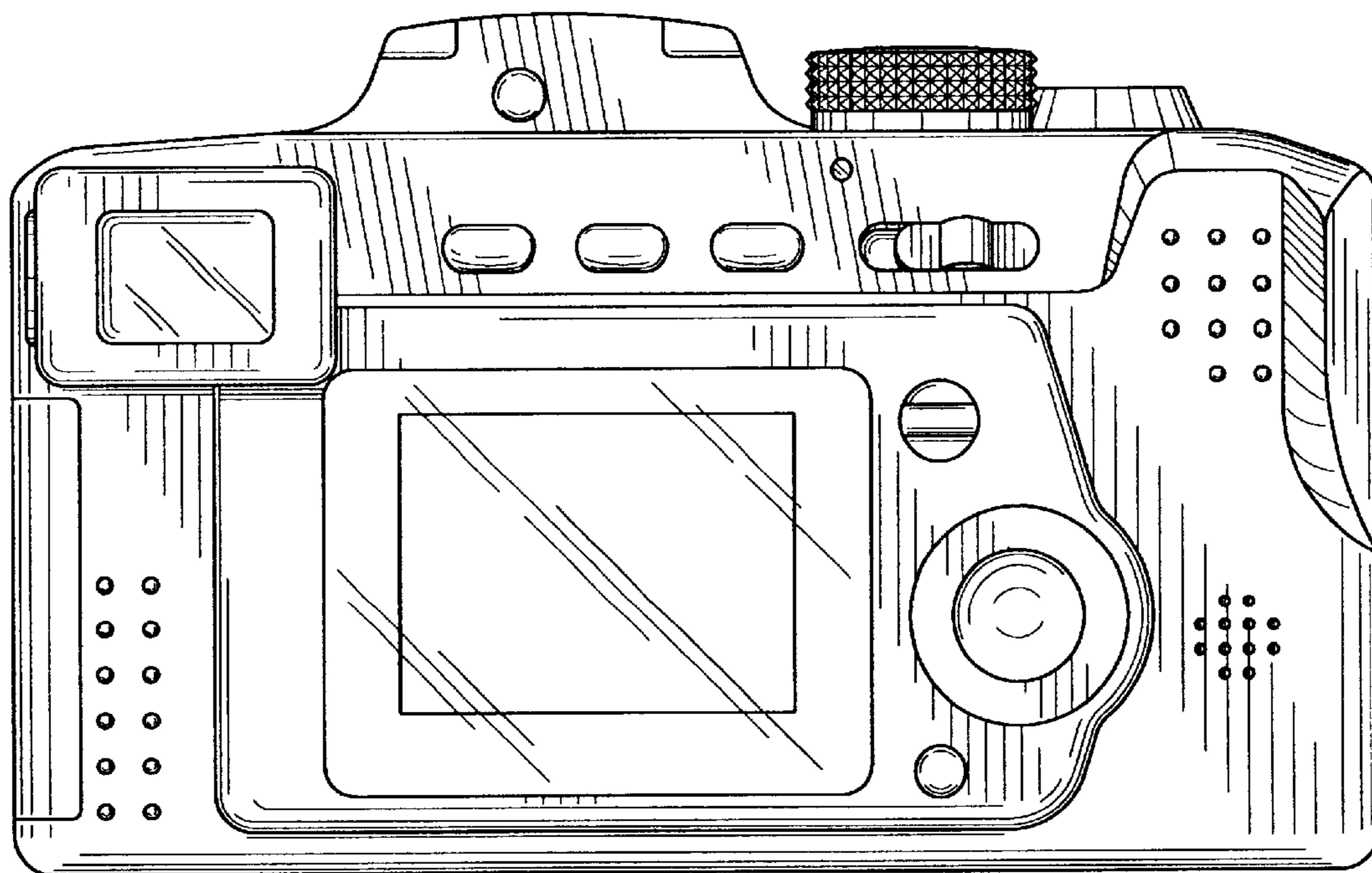


FIG. 3

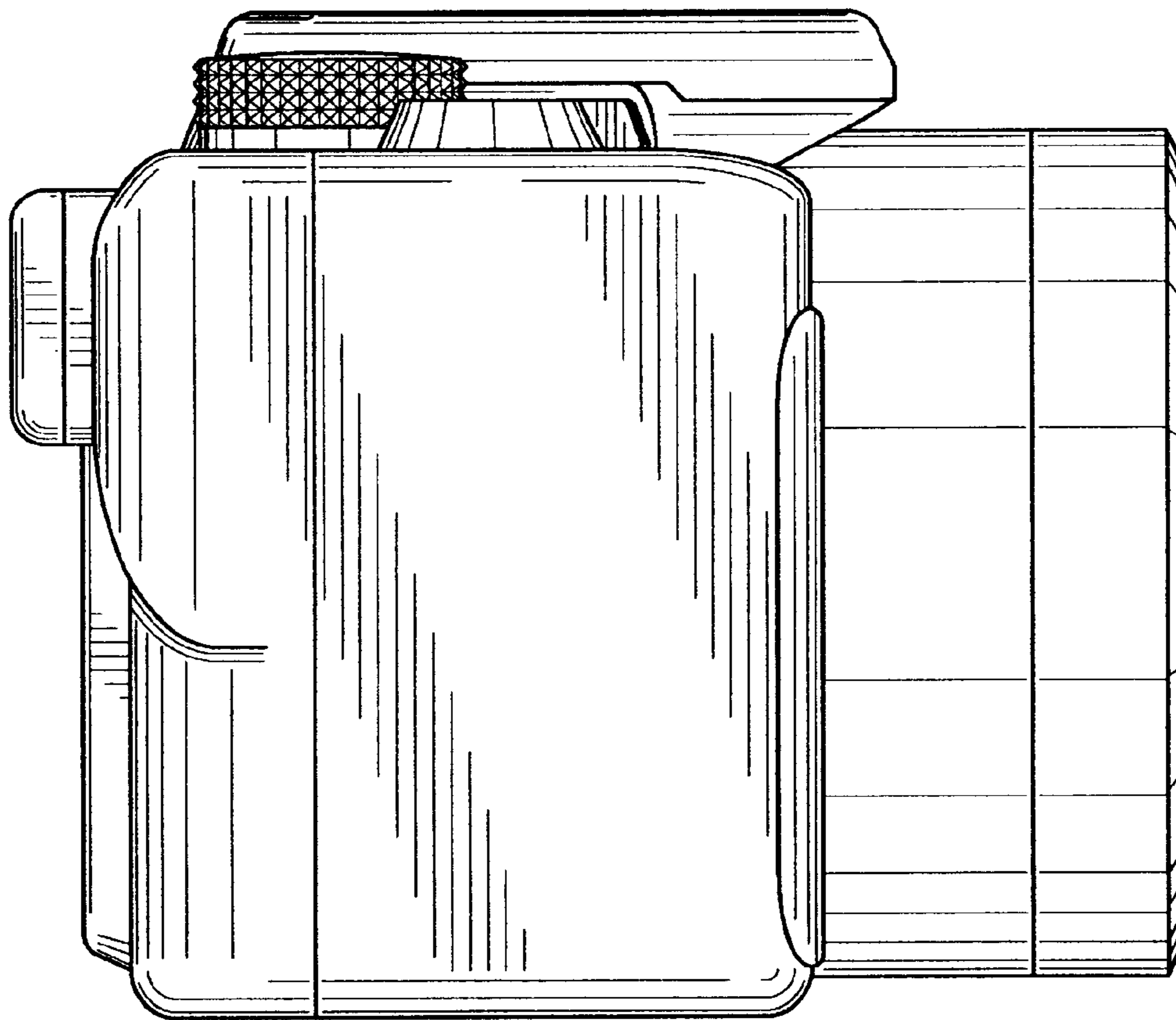


FIG. 4

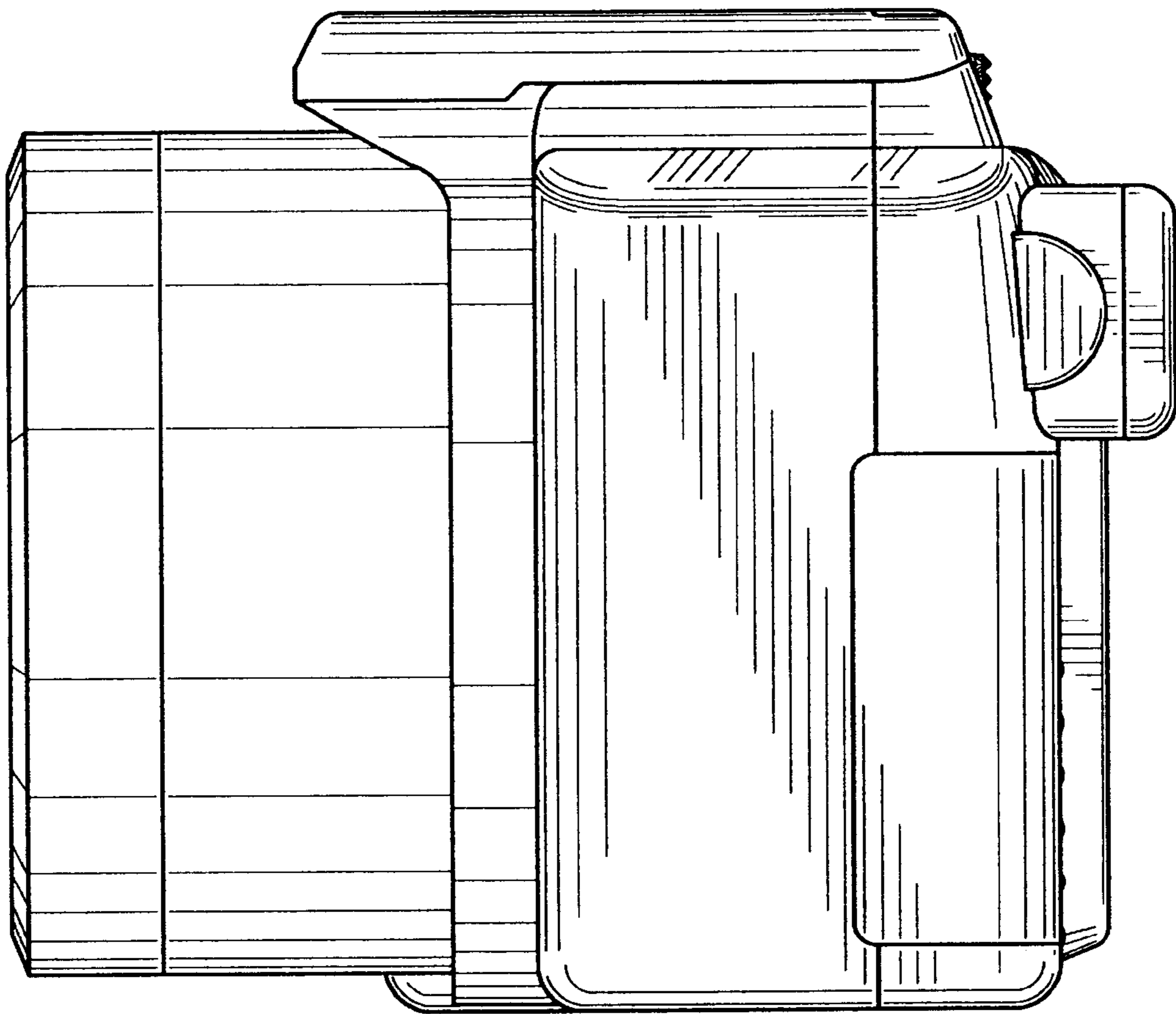


FIG. 5

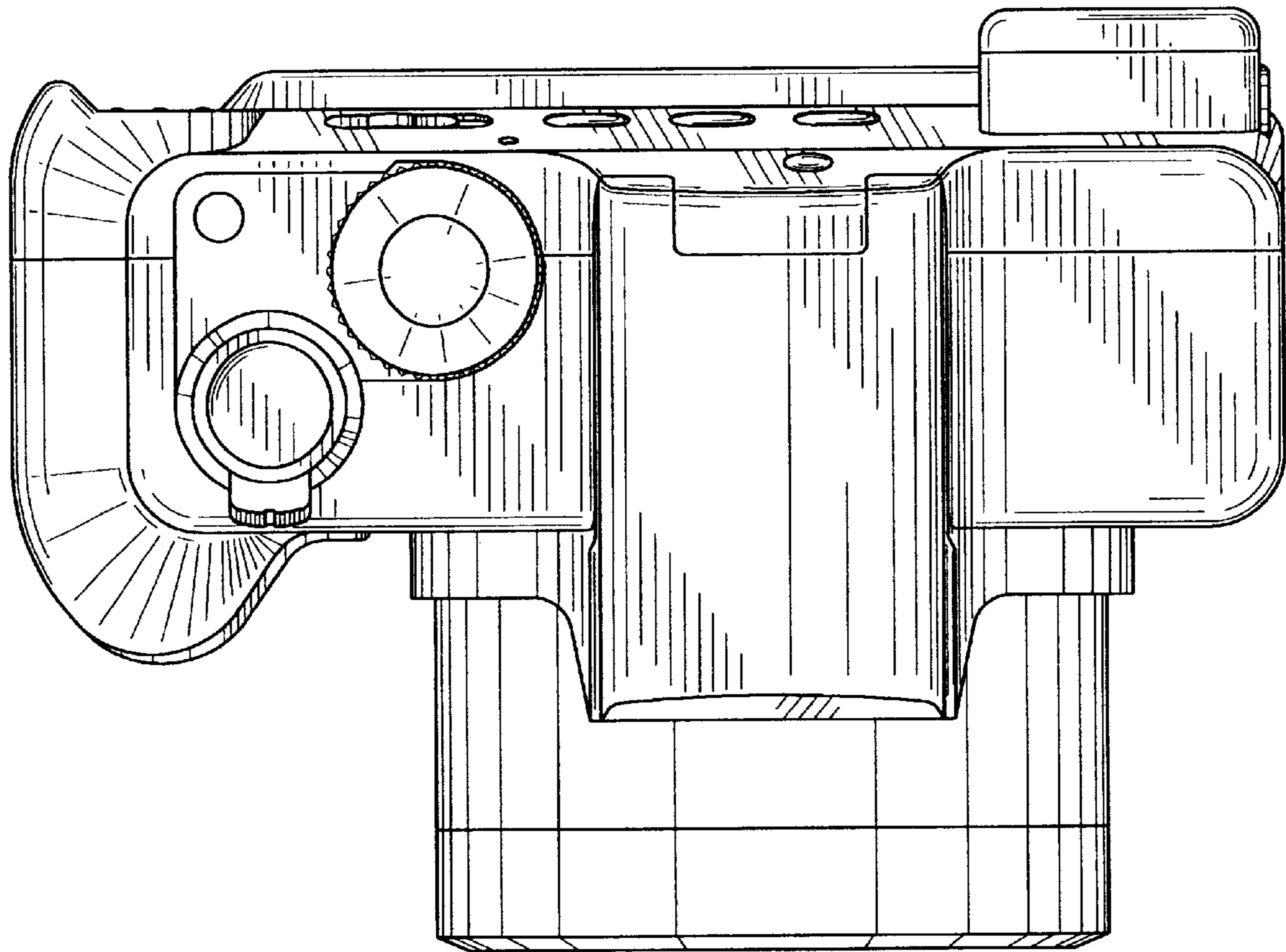


FIG. 6

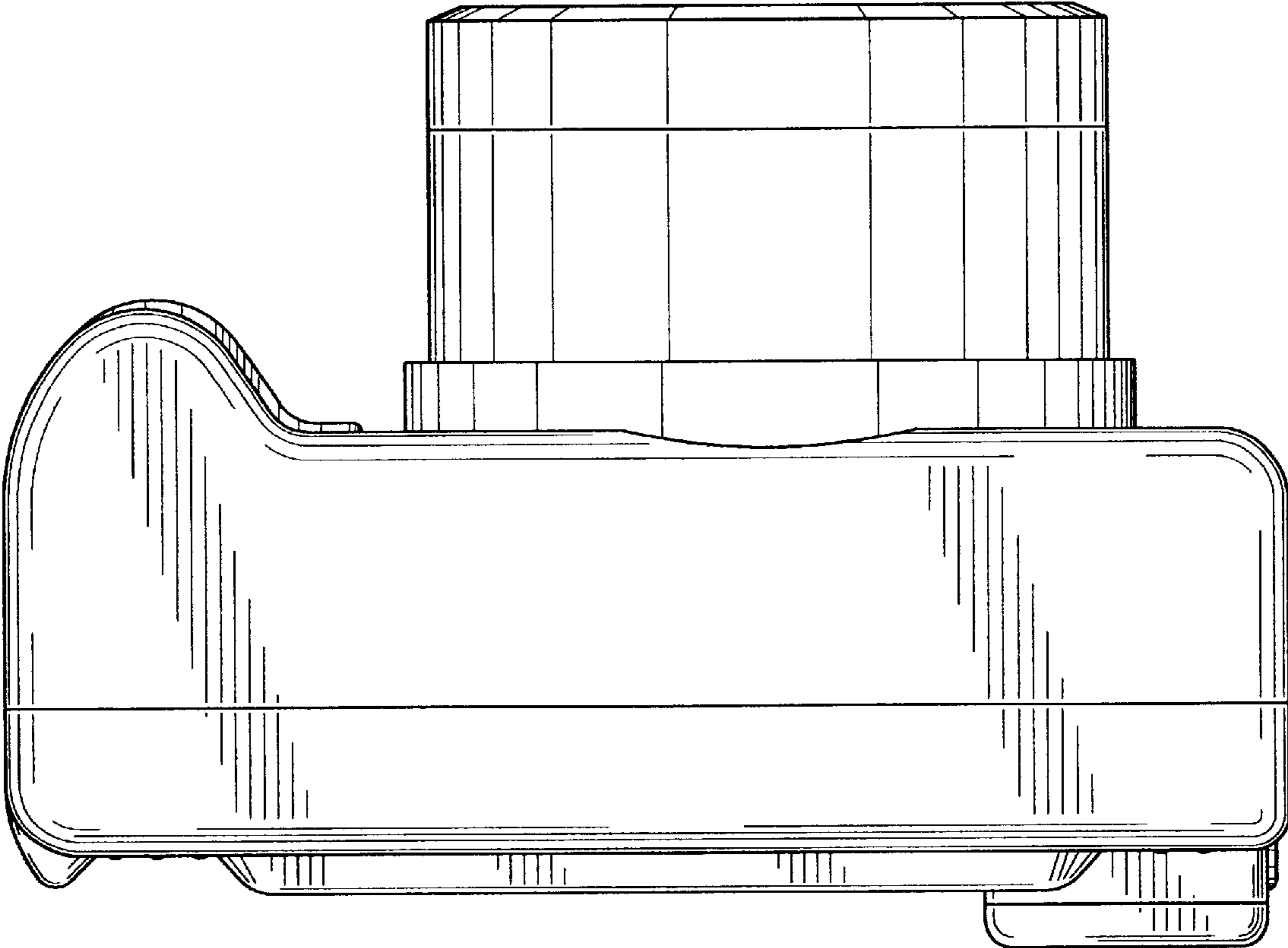


FIG. 7