



US00D515604S

(12) **United States Design Patent**
Tanio

(10) **Patent No.:** **US D515,604 S**
(45) **Date of Patent:** **** Feb. 21, 2006**

(54) **DIGITAL CAMERA**

FOREIGN PATENT DOCUMENTS

(75) Inventor: **Satoru Tanio**, Hachioji (JP)

JP 1030956 * 1/1999

(73) Assignee: **Olympus Corporation**, Tokyo (JP)

* cited by examiner

(**) Term: **14 Years**

Primary Examiner—Adir Aronovich

(74) *Attorney, Agent, or Firm*—Hogan & Hartson LLP

(21) Appl. No.: **29/208,520**

(57) **CLAIM**

(22) Filed: **Jun. 29, 2004**

The ornamental design for a digital camera, as shown and described.

(51) **LOC (8) Cl.** **16-01**

(52) **U.S. Cl.** **D16/202**

(58) **Field of Classification Search** D16/200–205,
D16/208, 218; 348/373–376; 358/906, 909.1;
396/535–541

DESCRIPTION

See application file for complete search history.

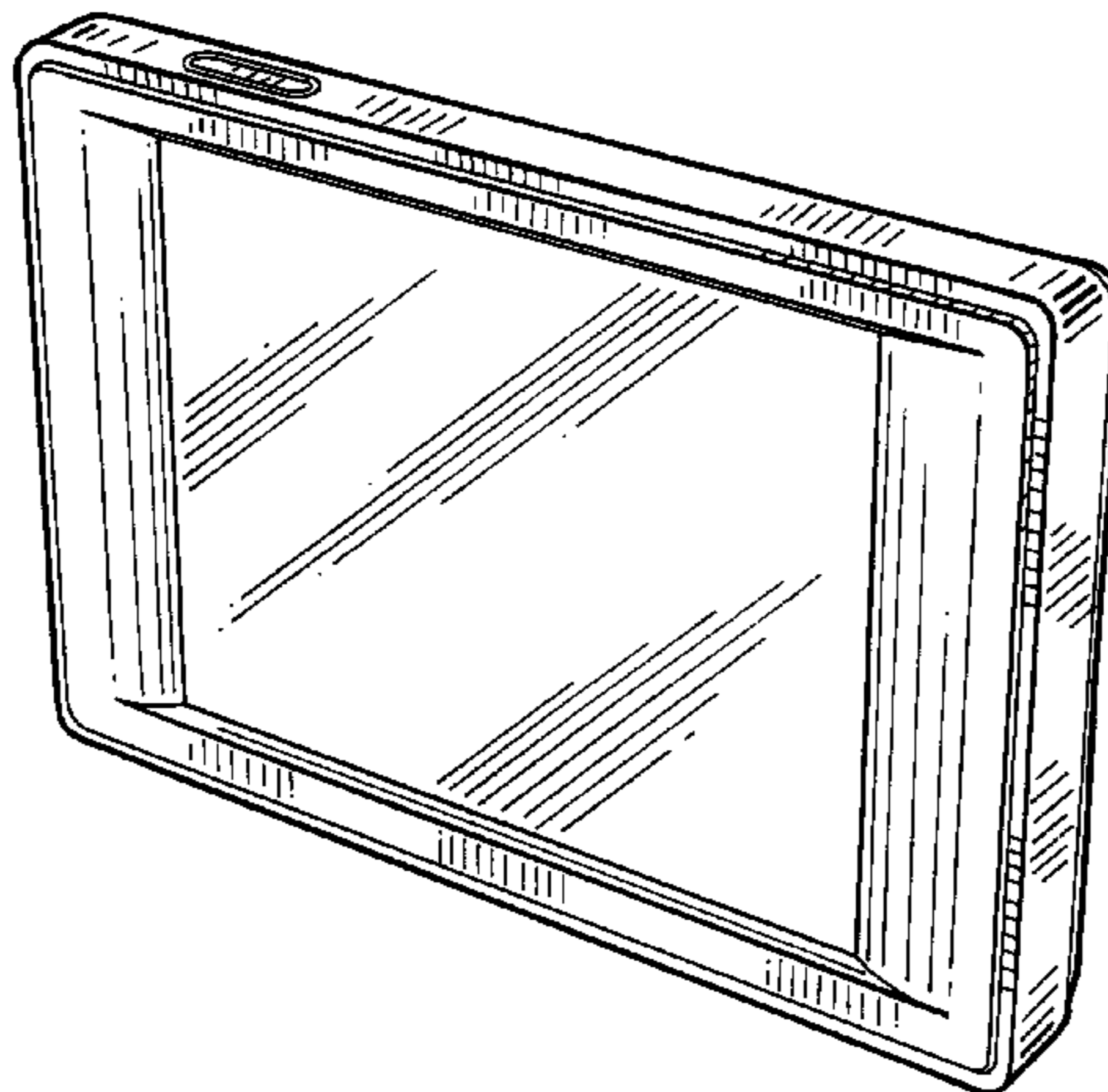
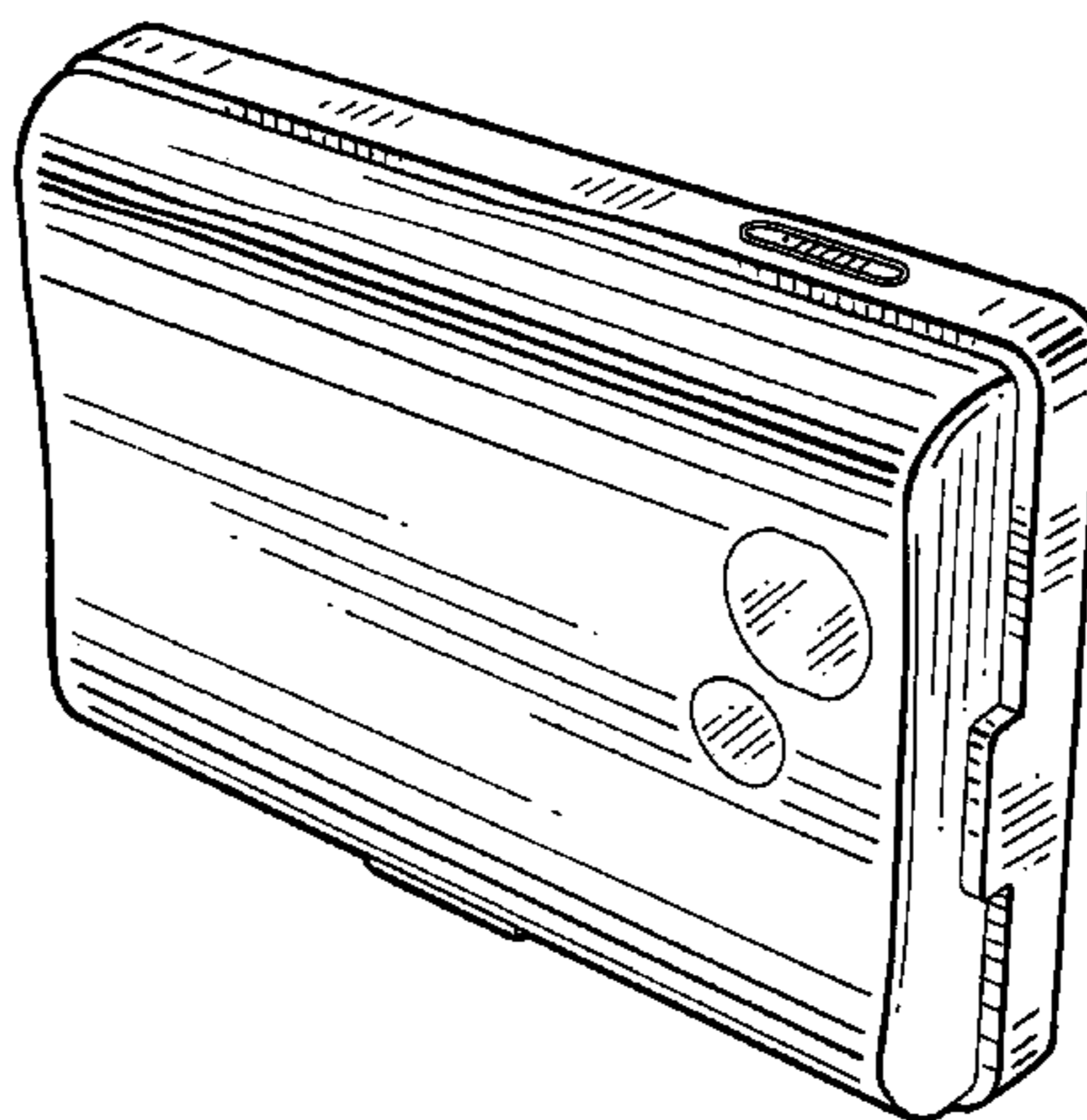
FIG. 1 is a front perspective view of a digital camera, showing my new design;
FIG. 2 is a rear perspective view thereof;
FIG. 3 is a front elevational view thereof;
FIG. 4 is a rear elevational view thereof;
FIG. 5 is a top plan view thereof;
FIG. 6 is a bottom plan view thereof;
FIG. 7 is a right side elevational view thereof; and,
FIG. 8 is a left side elevational view thereof.
The broken lines are for illustrative purposes only and form no part of the claimed design.

(56) **References Cited**

U.S. PATENT DOCUMENTS

D387,078 S	*	12/1997	Akita	D16/202
D410,663 S	*	6/1999	Ogasawara	D16/202
D450,734 S	*	11/2001	Shinano	D16/202
D484,902 S	*	1/2004	Baba	D16/202
D502,197 S	*	2/2005	Imai	D16/202

1 Claim, 3 Drawing Sheets



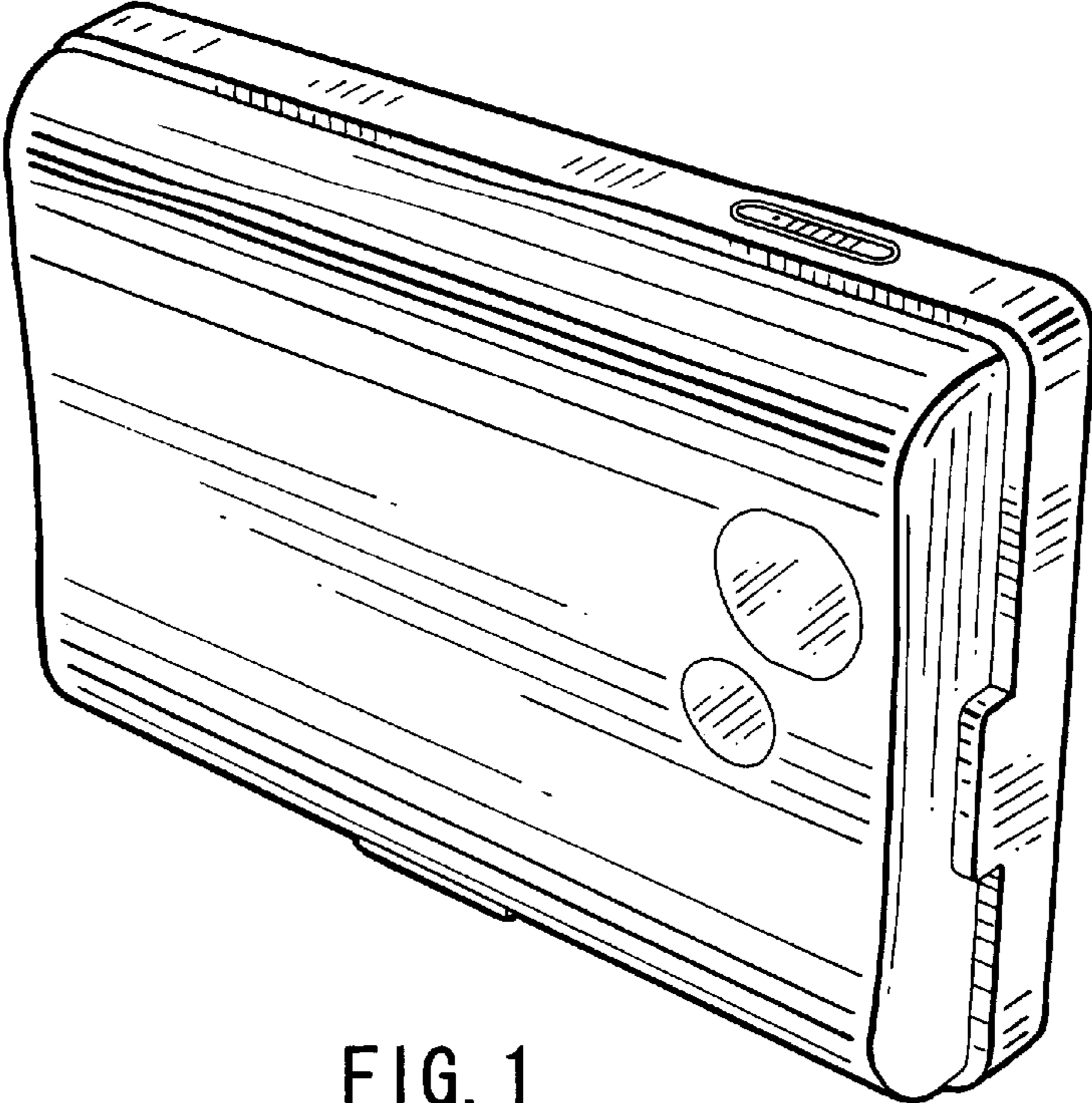


FIG. 1

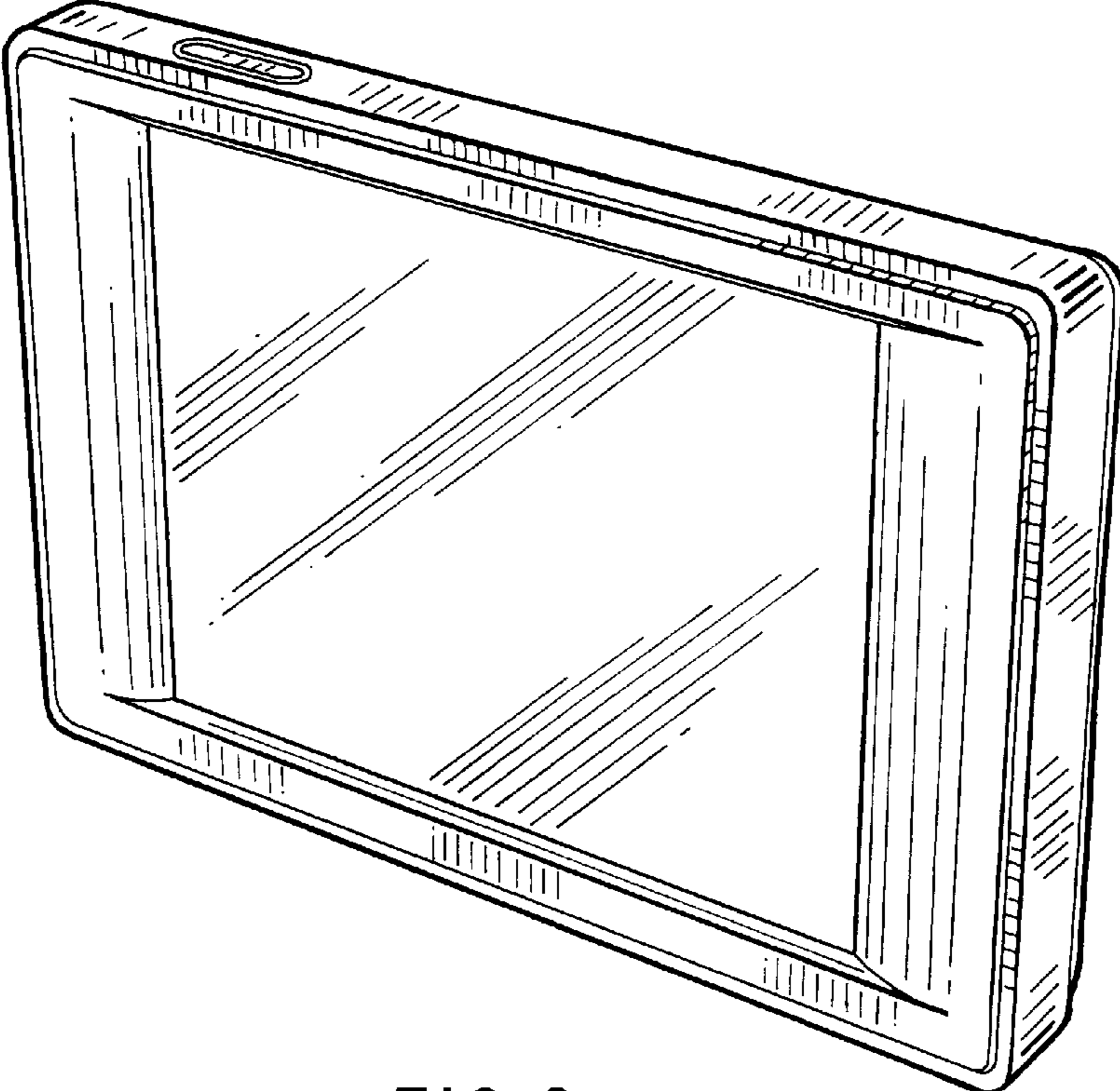


FIG. 2

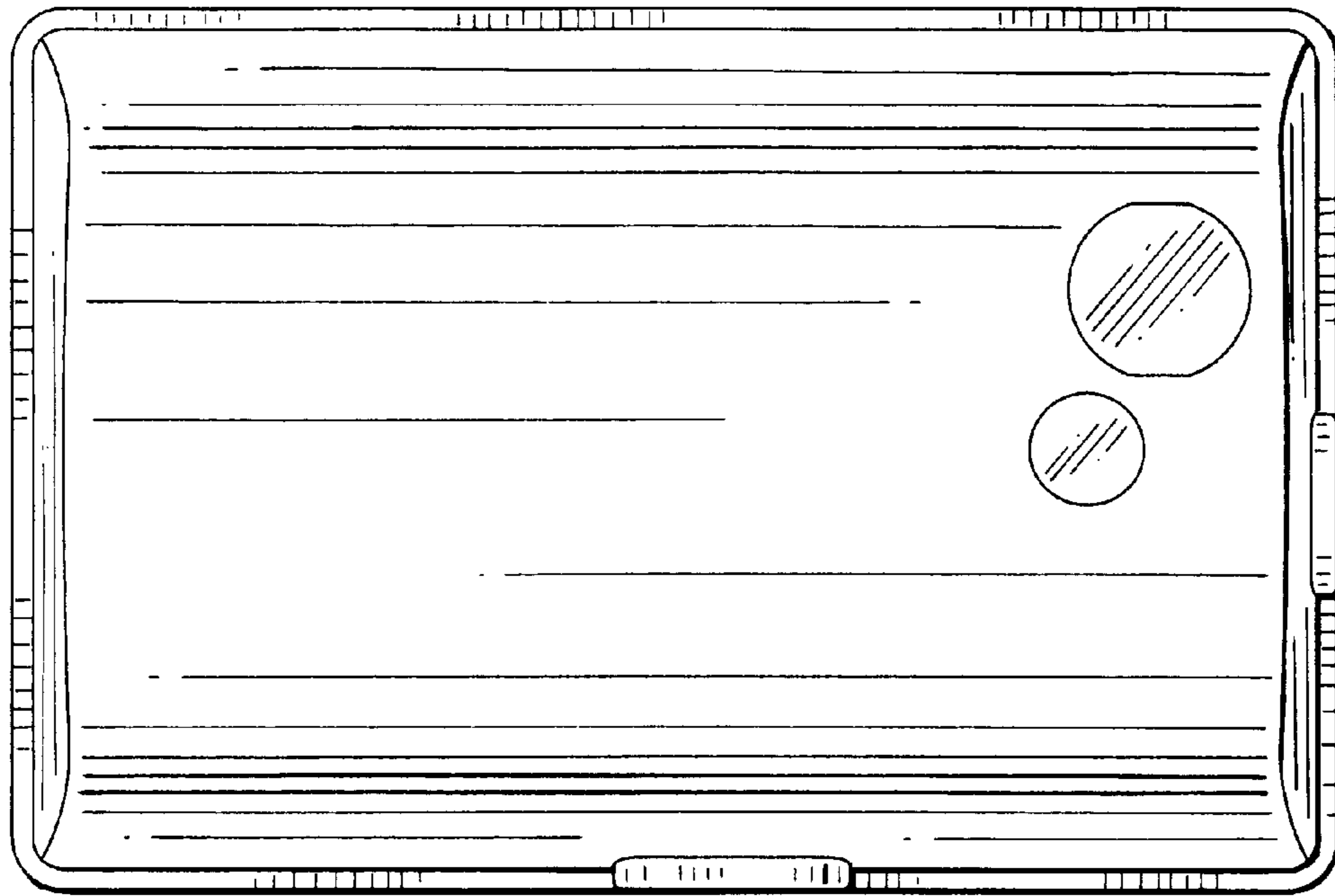


FIG. 3

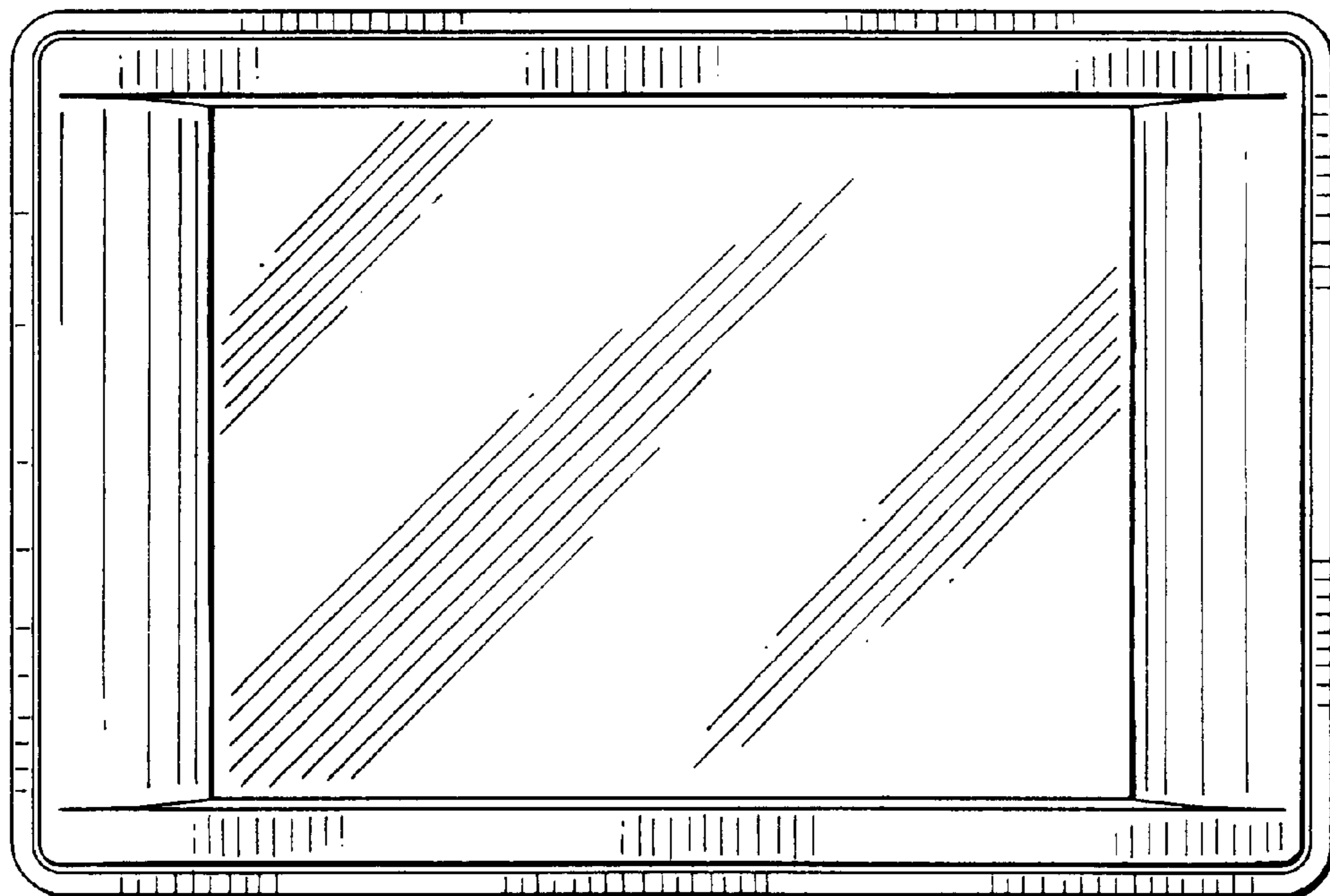


FIG. 4

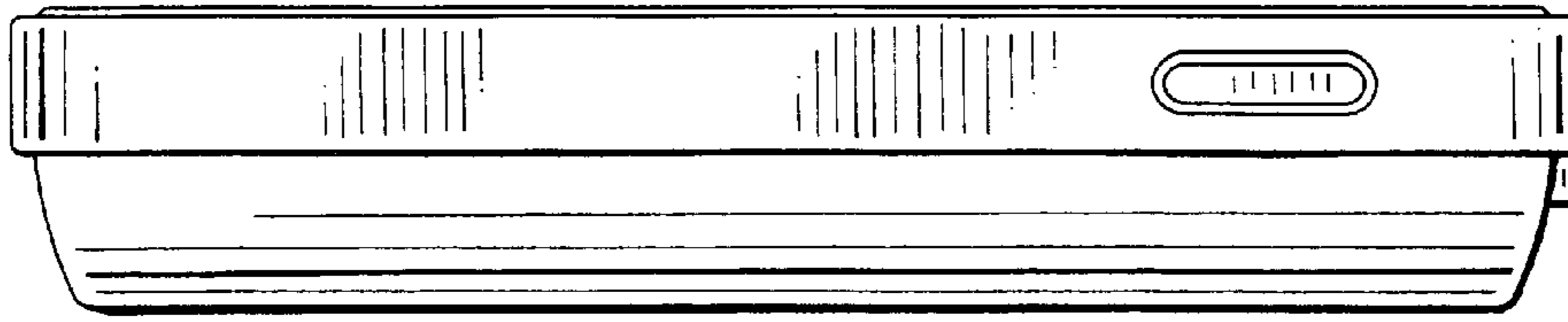


FIG. 5

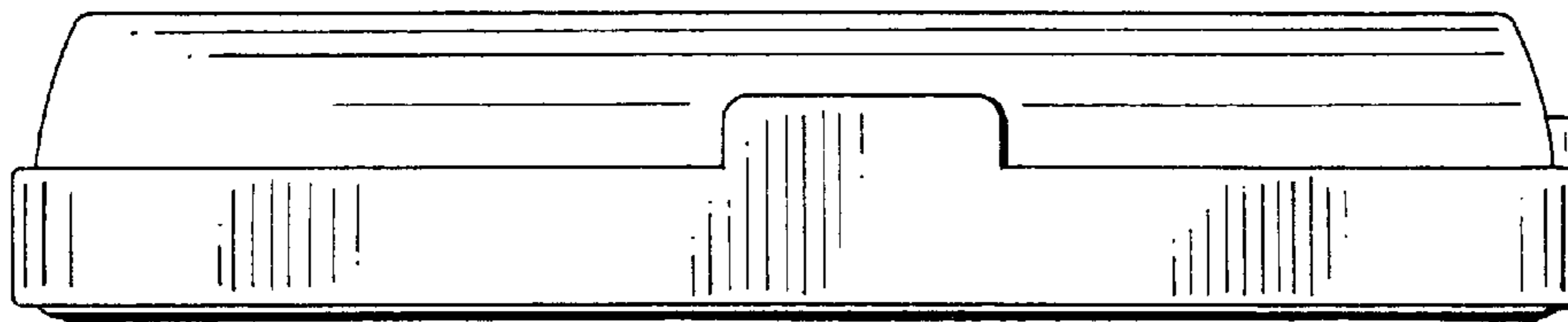


FIG. 6

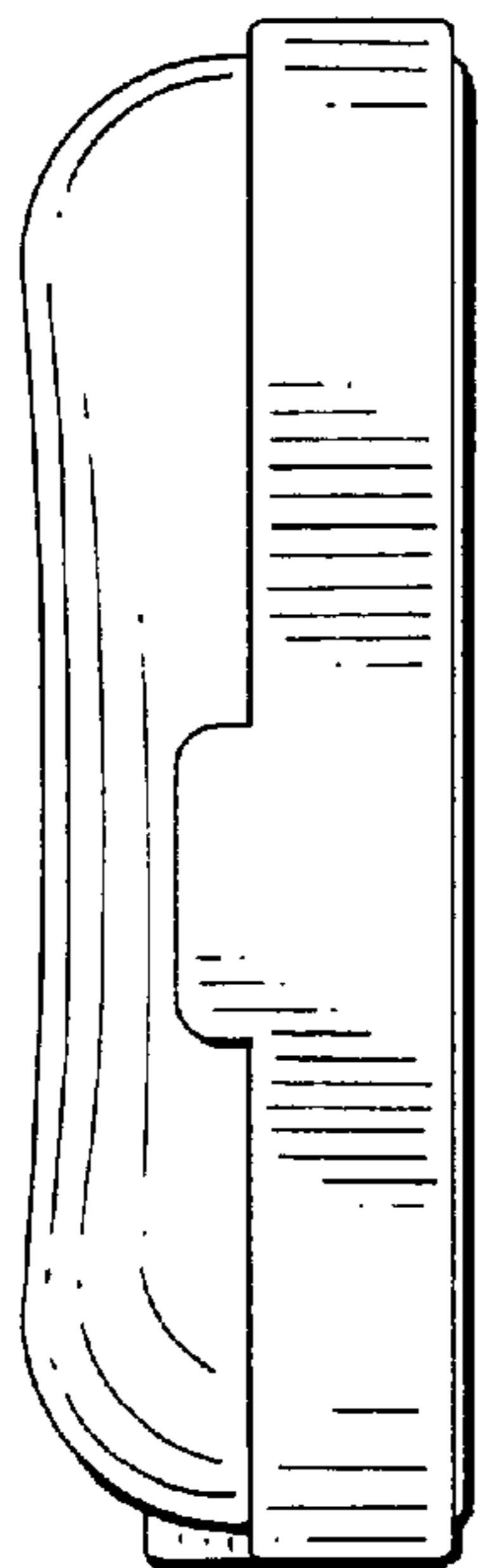


FIG. 7

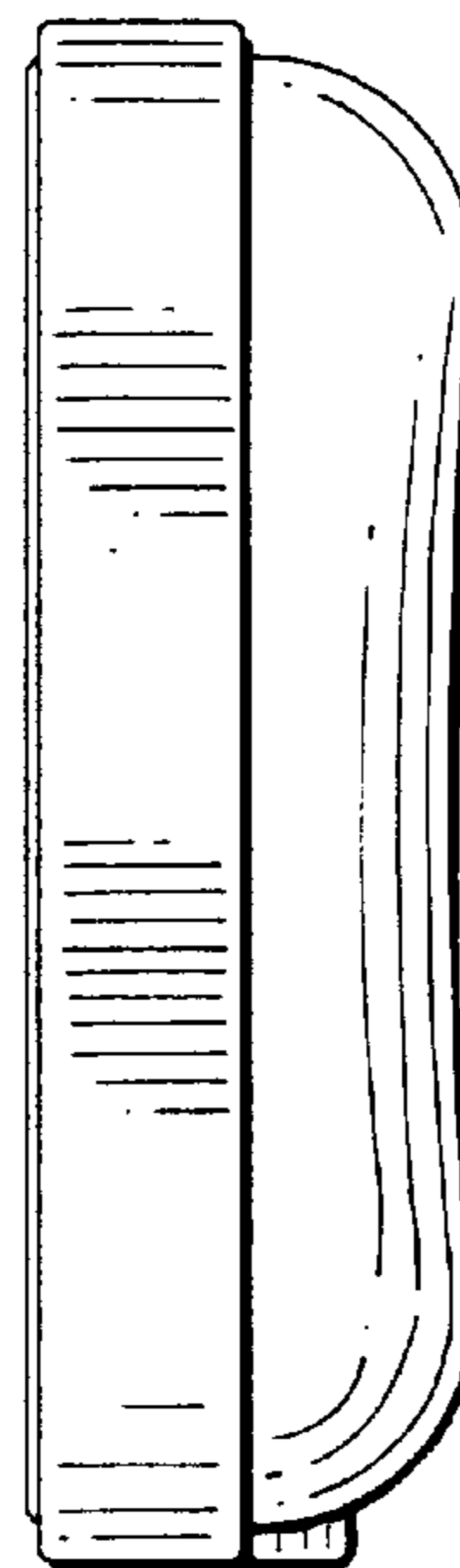


FIG. 8

UNITED STATES PATENT AND TRADEMARK OFFICE
CERTIFICATE OF CORRECTION

PATENT NO. : Des. 515,604 S
APPLICATION NO. : 29/208520
DATED : February 21, 2006
INVENTOR(S) : Satoru Tanio

Page 1 of 1

It is certified that error appears in the above-identified patent and that said Letters Patent is hereby corrected as shown below:

Title Page, Col. 2, in the **Description** section, please remove

“The broken lines are for illustrative purposes only and form no part of the claimed design.”

Signed and Sealed this

Twenty-fifth Day of July, 2006

A handwritten signature in black ink on a light gray dotted background. The signature reads "Jon W. Dudas" in a cursive style.

JON W. DUDAS

Director of the United States Patent and Trademark Office