

US00D515603S

(12) **United States Design Patent**  
**Hines et al.**

(10) **Patent No.:** **US D515,603 S**  
(45) **Date of Patent:** **\*\* Feb. 21, 2006**

(54) **EYEPIECE FOR OPTICAL INSTRUMENTS**  
(75) Inventors: **David M. Hines**, Santa Ana, CA (US);  
**Paul Hobbs**, Lake Forest, CA (US);  
**Steven Murdock**, Mission Viejo, CA (US)

D247,500 S \* 3/1978 Isono ..... D16/134  
D251,669 S \* 4/1979 Ueda et al. .... D16/134  
D328,753 S \* 8/1992 Surber ..... D16/136  
D362,007 S \* 9/1995 Takahashi ..... D16/134  
D375,969 S \* 11/1996 Watanabe ..... D16/134  
D390,857 S \* 2/1998 Hayamizu ..... D16/134

(73) Assignee: **Meade Instruments Corporation**,  
Irvine, CA (US)

\* cited by examiner

(\*\*) Term: **14 Years**

*Primary Examiner*—Paula A. Greene  
(74) *Attorney, Agent, or Firm*—Knobbe, Martens, Olson &  
Bear, LLP

(21) Appl. No.: **29/221,495**

(57) **CLAIM**

(22) Filed: **Jan. 14, 2005**

The ornamental design for an eyepiece for optical instruments, as shown and described.

(51) **LOC (8) Cl.** ..... **16-06**

(52) **U.S. Cl.** ..... **D16/134; D16/130**

(58) **Field of Classification Search** ..... D16/101,  
D16/130, 131, 132, 134, 136, 219, 220, 305,  
D16/381, 384, 368; D22/108, 109; 359/368,  
359/379, 381, 384, 399, 407, 421, 672, 673,  
359/694, 700, 701, 704, 808, 811

**DESCRIPTION**

See application file for complete search history.

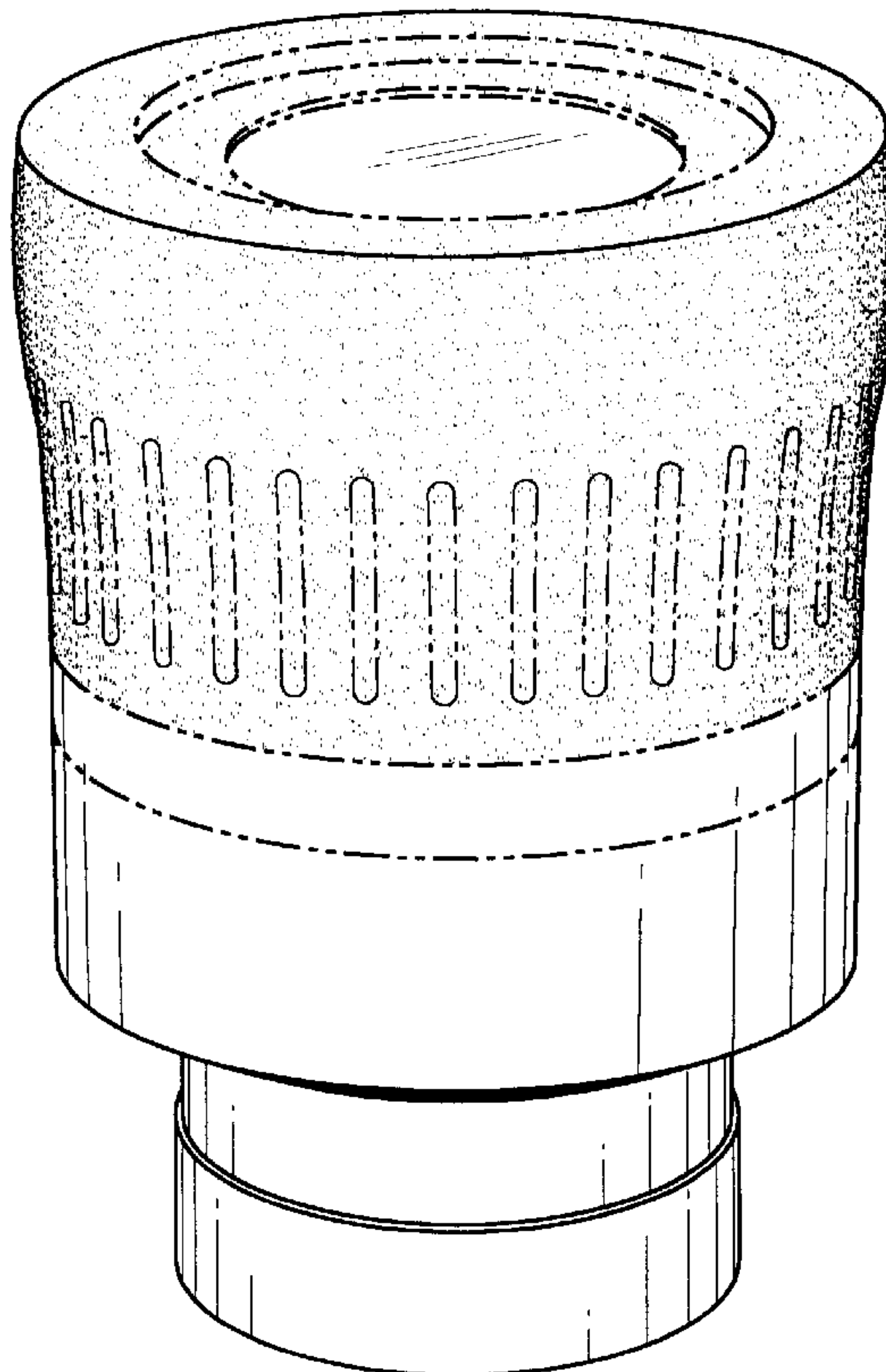
FIG. 1 is a front top perspective view of an eyepiece showing our new design;  
FIG. 2 is a front bottom perspective view thereof;  
FIG. 3 is a side elevation view thereof;  
FIG. 4 is a side elevation view thereof; and,  
FIG. 5 is a side elevation view thereof.  
Phantom lining, broken lining, hatching or shading are for utilized for illustrative purposes only (such as, for example, illustrating rubber versus brushed steel surfaces), and do not limit or form any part of the claimed design.

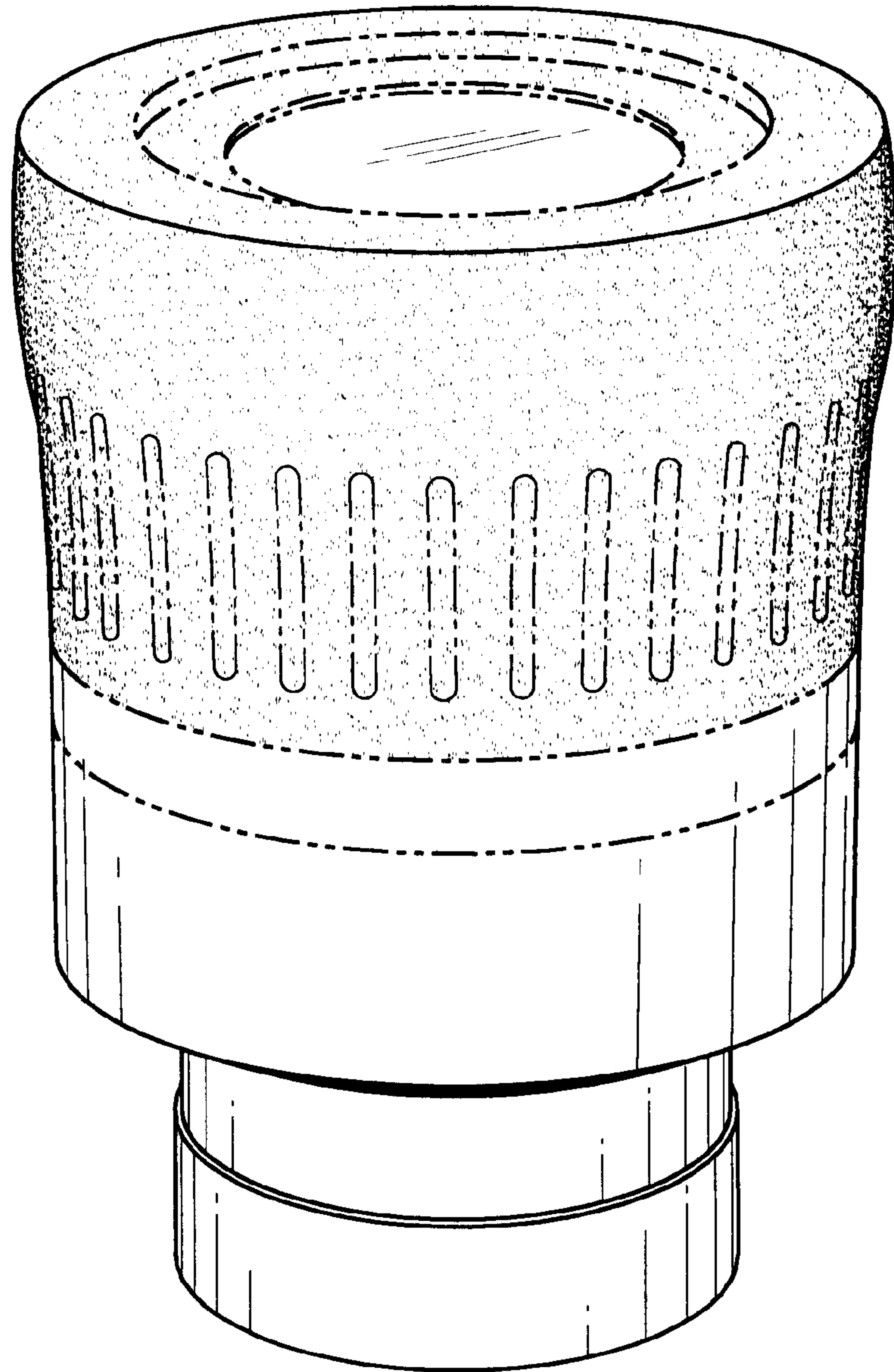
(56) **References Cited**

**U.S. PATENT DOCUMENTS**

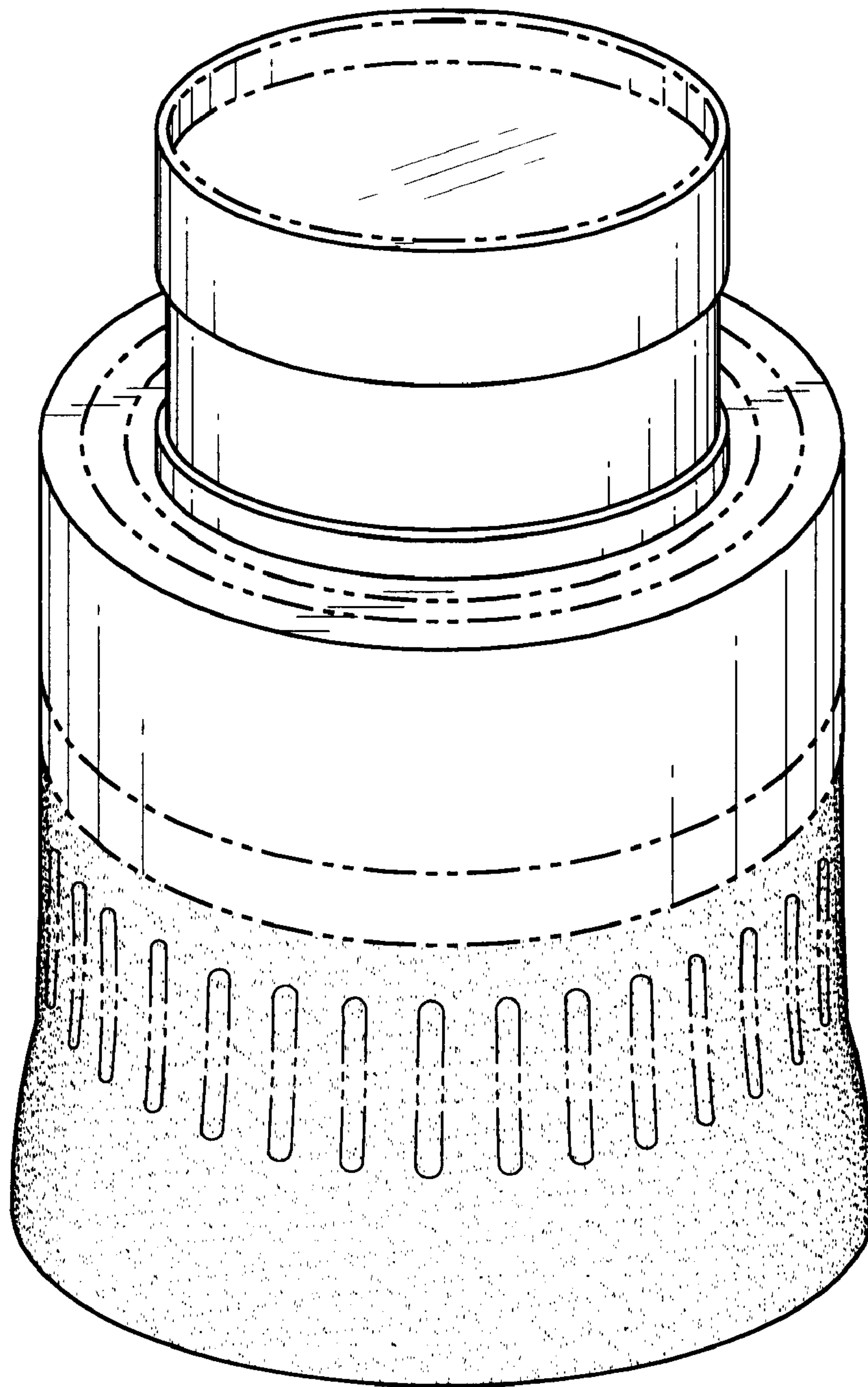
1,792,171 A \* 2/1931 Kruening ..... 359/829  
3,064,529 A \* 11/1962 Straat ..... 359/384  
3,112,570 A \* 12/1963 De Vasconcellos ..... 434/303

**1 Claim, 4 Drawing Sheets**

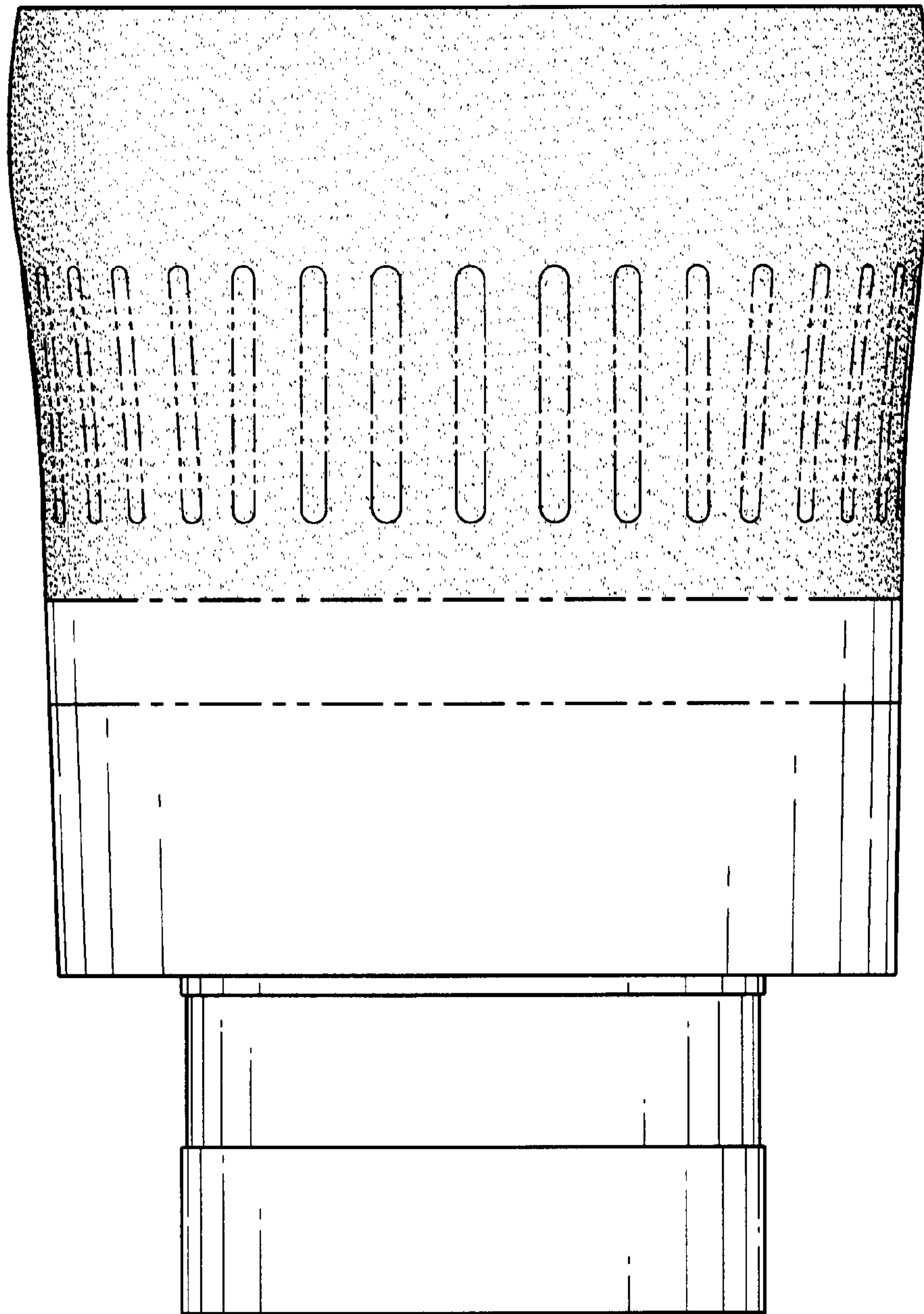




*FIG. 1*

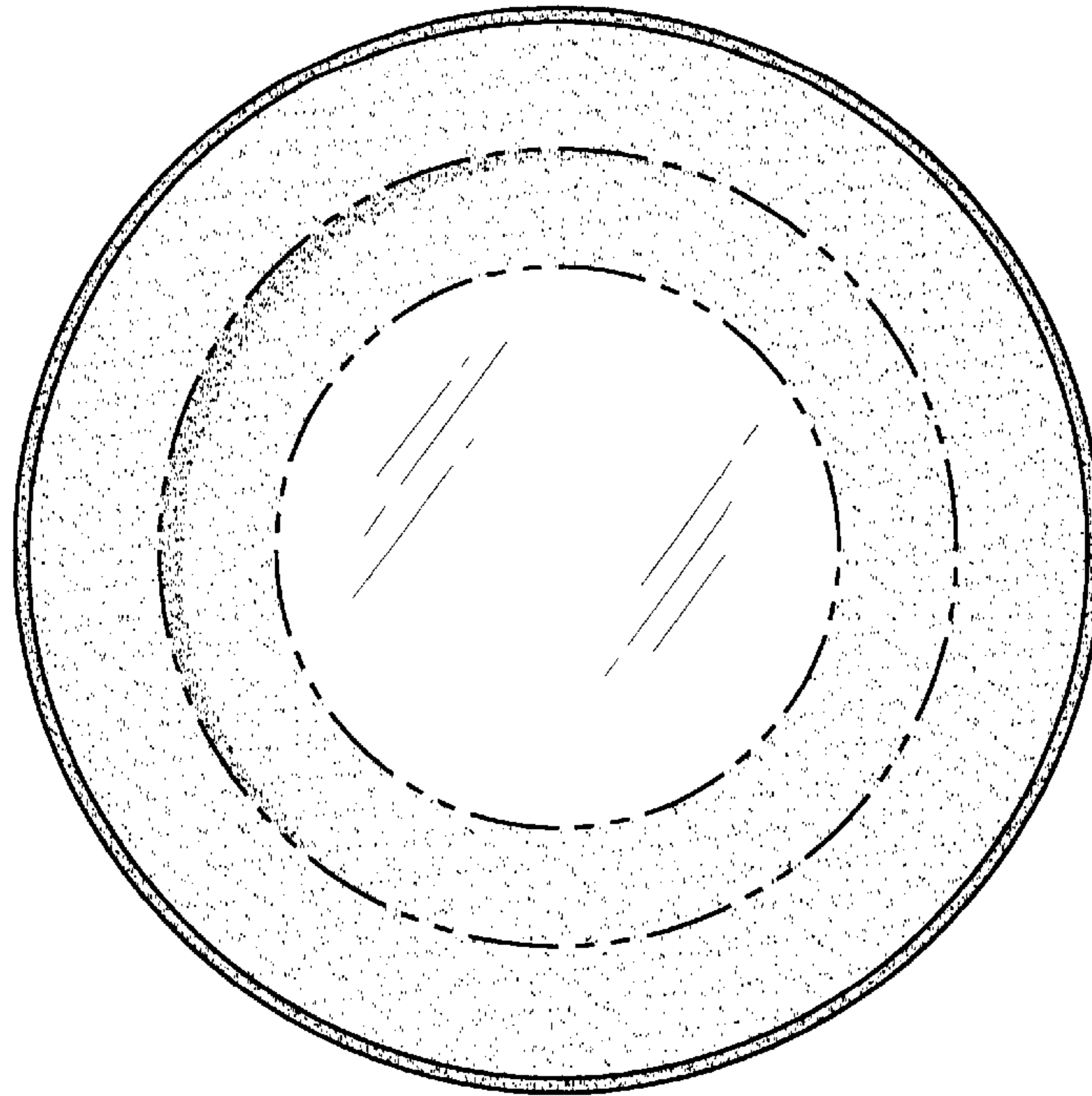


*FIG. 2*

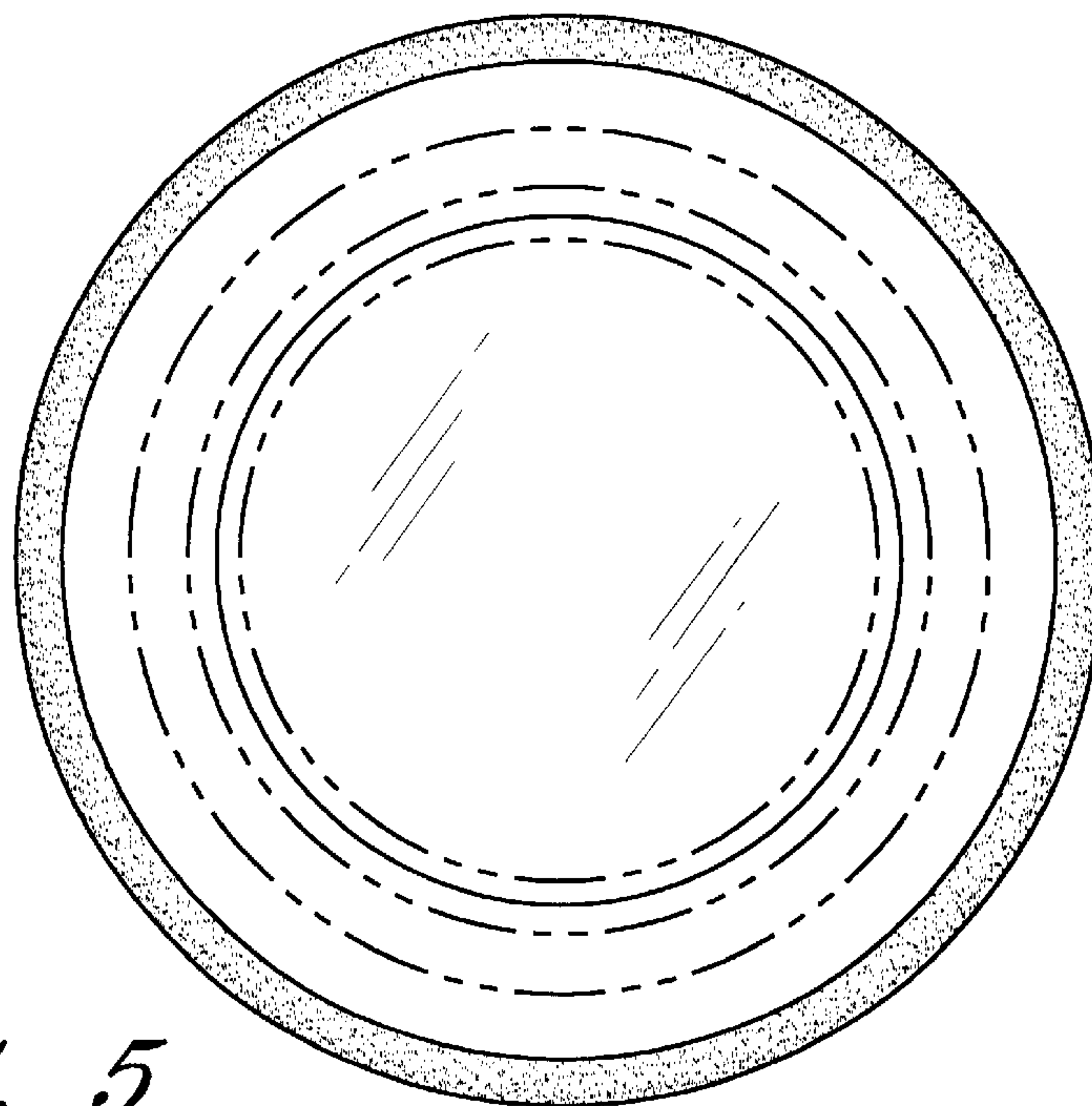


*FIG. 3*





*FIG. 4*



*FIG. 5*