



US00D515602S

(12) **United States Design Patent**
Hakoh et al.

(10) **Patent No.: US D515,602 S**

(45) **Date of Patent: ** Feb. 21, 2006**

(54) **PROCESSING MACHINE FOR BRAN-FREE RICE**

(75) Inventors: **Tsutomu Hakoh**, Tokyo (JP); **Kazuto Nonaka**, Tokyo (JP); **Shinso Kajihara**, Tokyo (JP)

(73) Assignee: **Satake Corporation**, Tokyo (JP)

(**) Term: **14 Years**

(21) Appl. No.: **29/206,690**

(22) Filed: **Jun. 3, 2004**

(30) **Foreign Application Priority Data**

Dec. 5, 2003 (JP) 2003-036147

(51) **LOC (8) Cl.** **15-99**

(52) **U.S. Cl.** **D15/199**

(58) **Field of Classification Search** D15/199;
99/488, 519, 524, 606, 609, 611

See application file for complete search history.

(56) **References Cited**

U.S. PATENT DOCUMENTS

4,577,552 A * 3/1986 Yamamoto 99/524

4,800,810 A * 1/1989 Masumoto 99/519

4,843,957 A * 7/1989 Satake 99/519
5,076,156 A * 12/1991 Ohike et al. 99/488
5,259,303 A * 11/1993 Yamamoto et al. 99/519
6,457,404 B1 * 10/2002 Munesada et al. 99/519
D472,909 S * 4/2003 Satake et al. D15/199
2004/0177772 A1 * 9/2004 Ohno 99/519

* cited by examiner

Primary Examiner—Antoine D. Davis

(74) *Attorney, Agent, or Firm*—Donald R. Studebaker;
Nixon Peabody LLP

(57) **CLAIM**

The ornamental design for a processing machine for bran-free rice, as shown and described.

DESCRIPTION

FIG. 1 is a perspective view of a processing machine for bran-free rice embodying our design; FIG. 2 is a front view of FIG. 1; FIG. 3 is a rear view of FIG. 1; FIG. 4 is a left side view of FIG. 1; FIG. 5 is a right side view of FIG. 1; FIG. 6 is a top plan view of FIG. 1; FIG. 7 is a bottom plan view of FIG. 1; and, FIG. 8 is a sectional view taken along line A—A of FIG. 6.

1 Claim, 7 Drawing Sheets

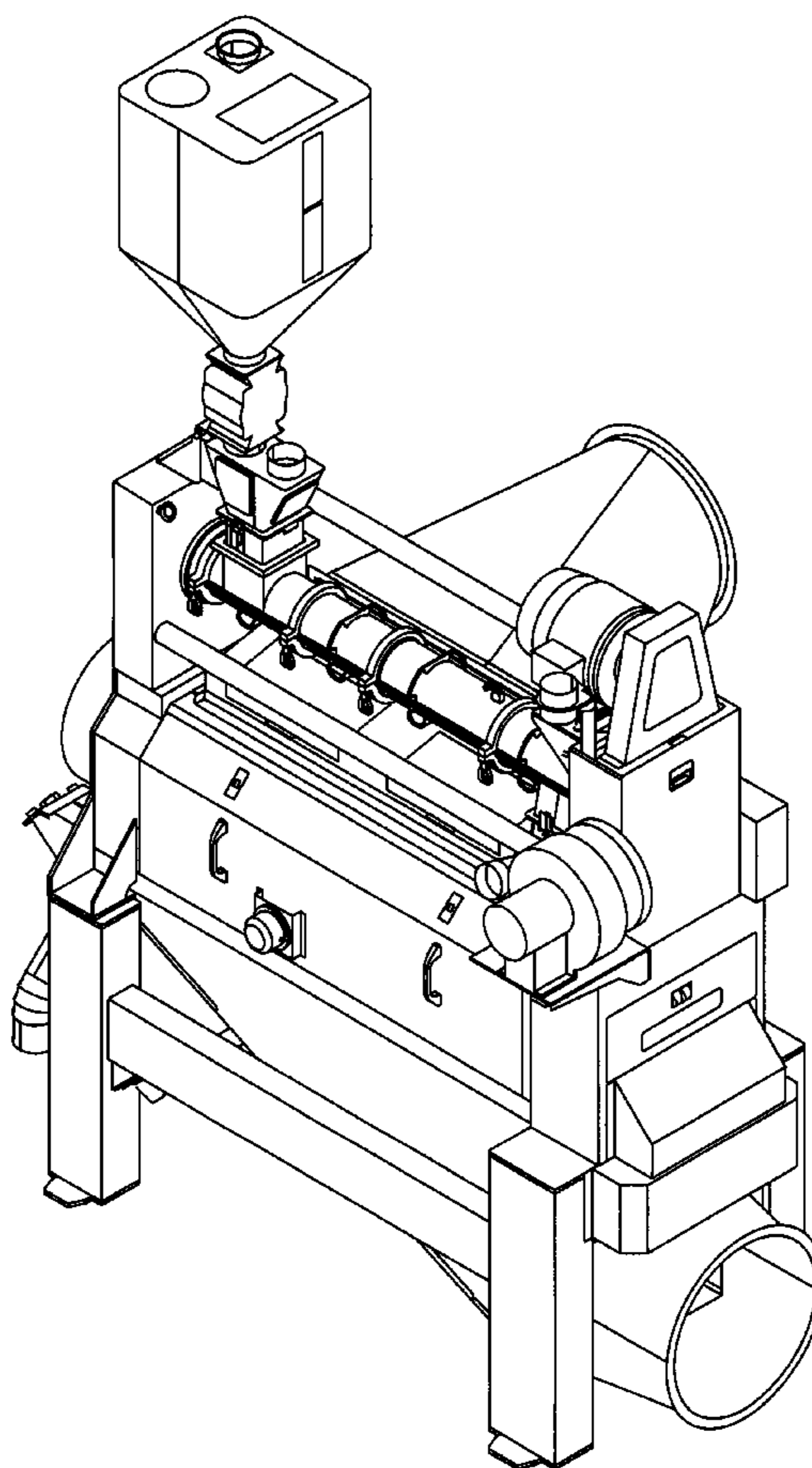


FIG. 1

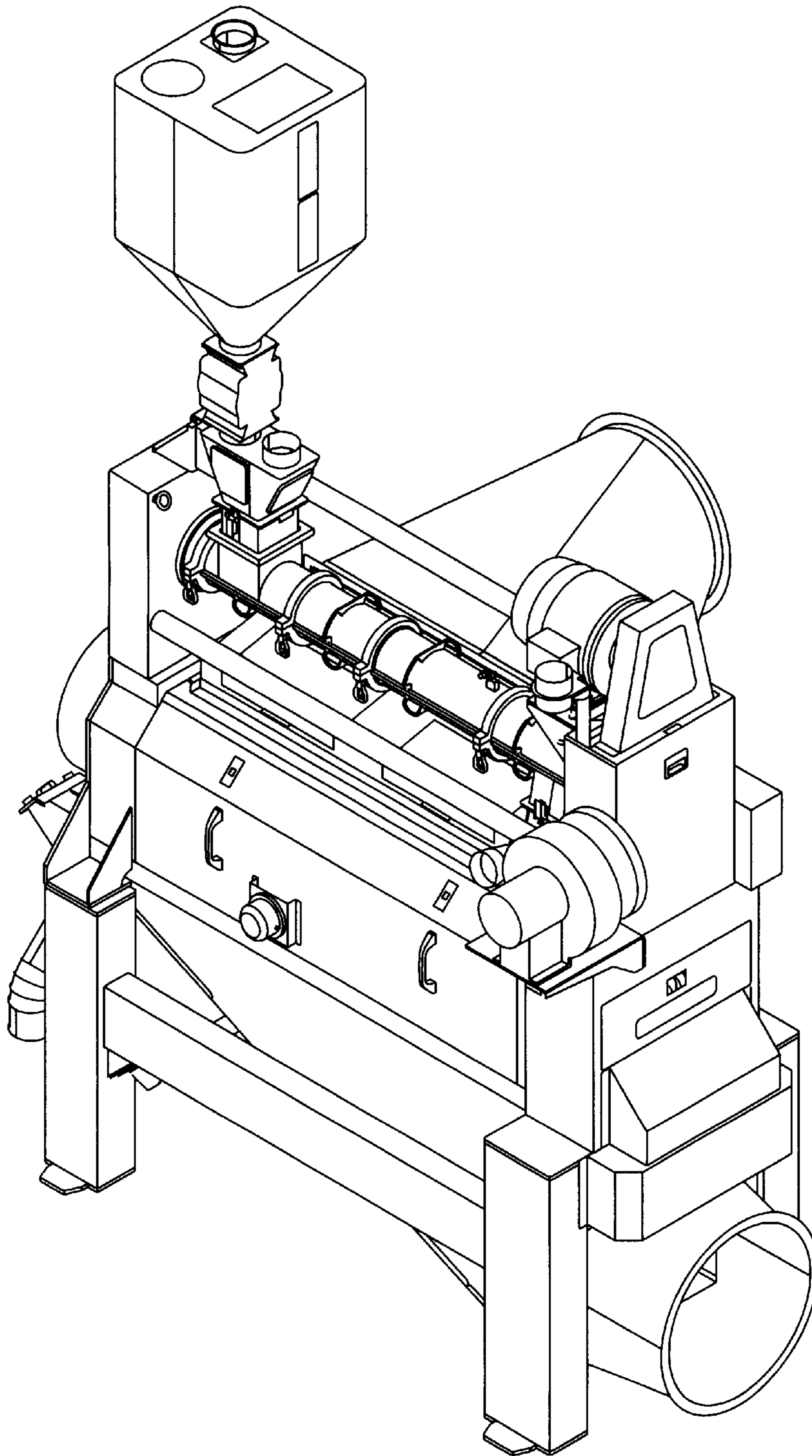


FIG.2

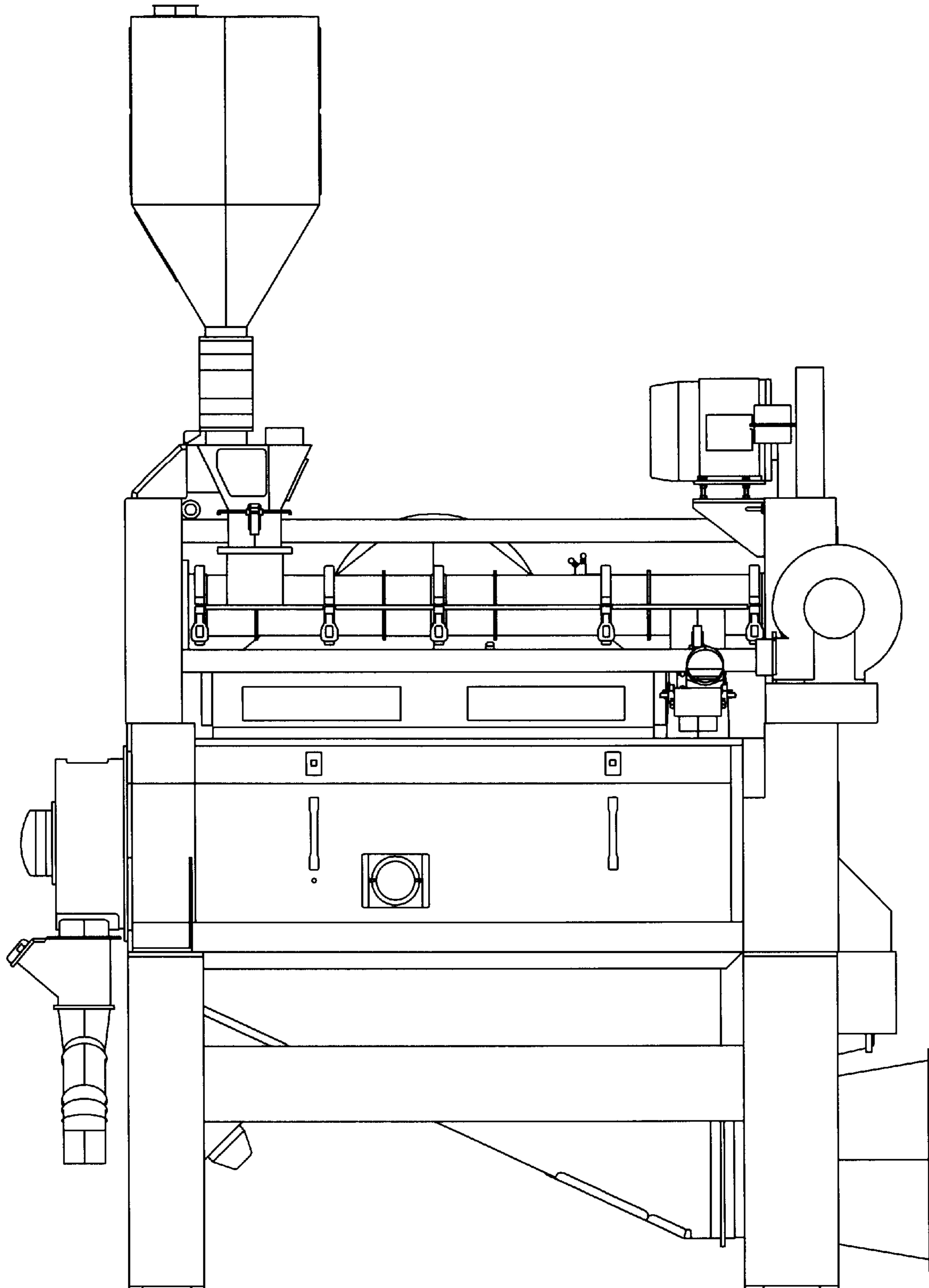


FIG.3

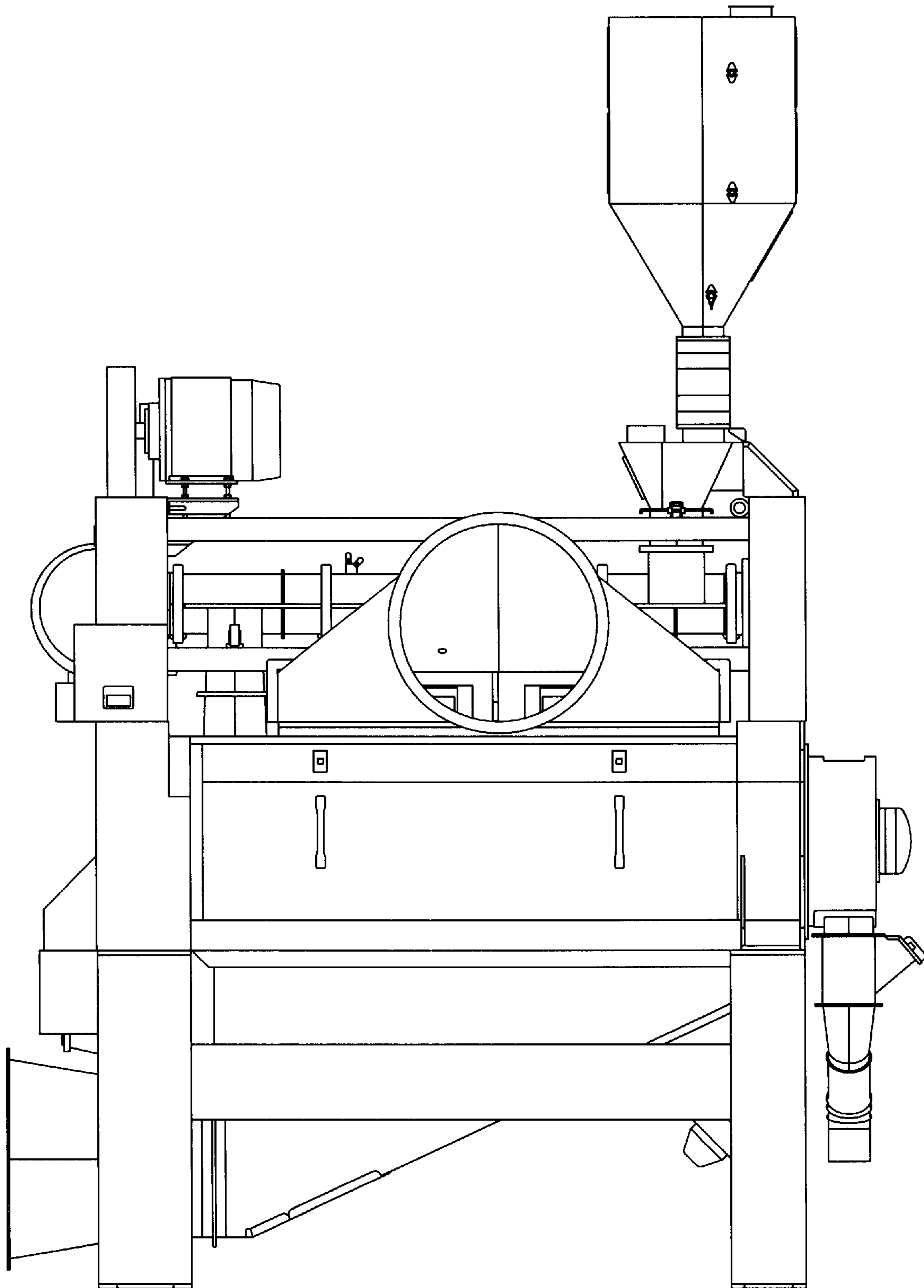


FIG.4

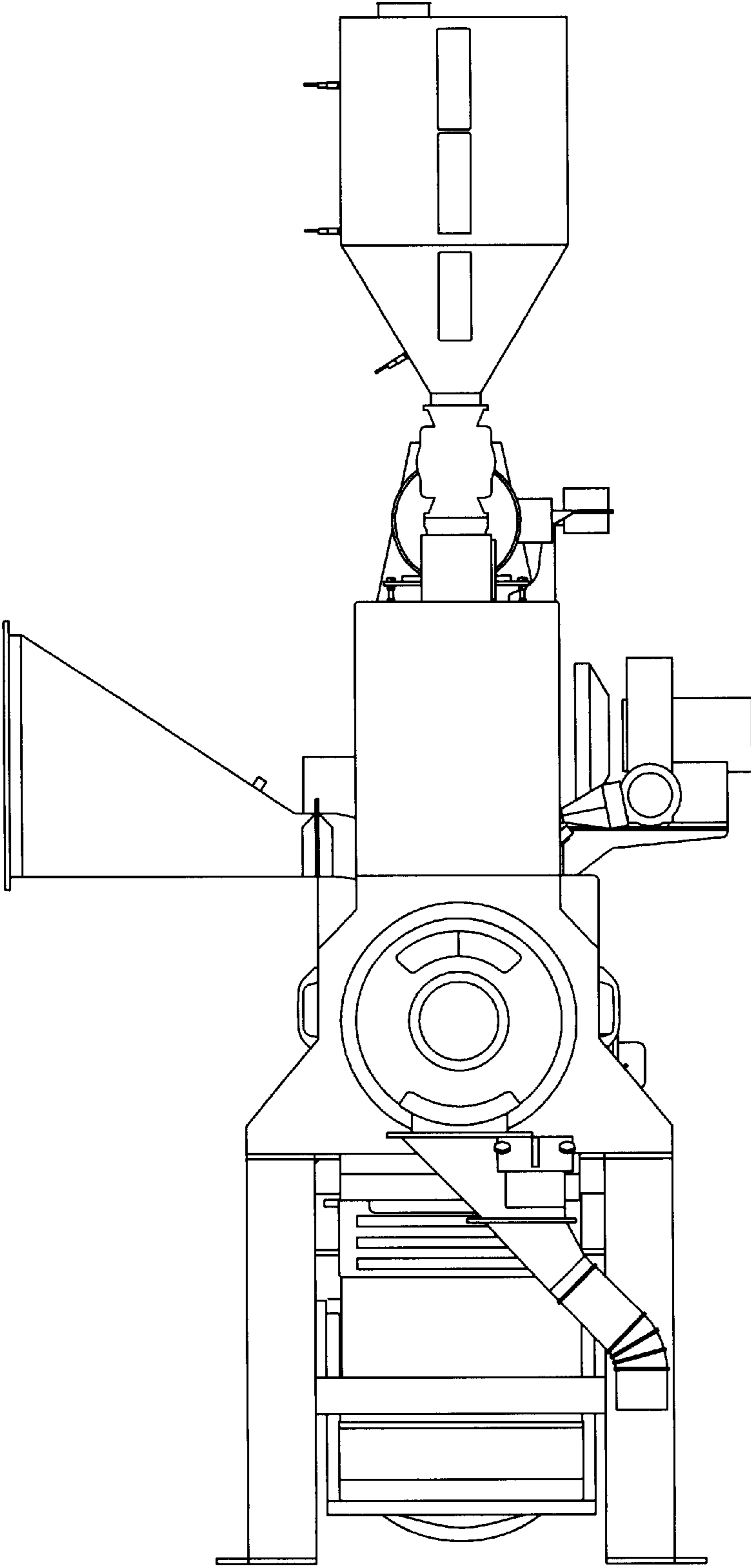


FIG.5

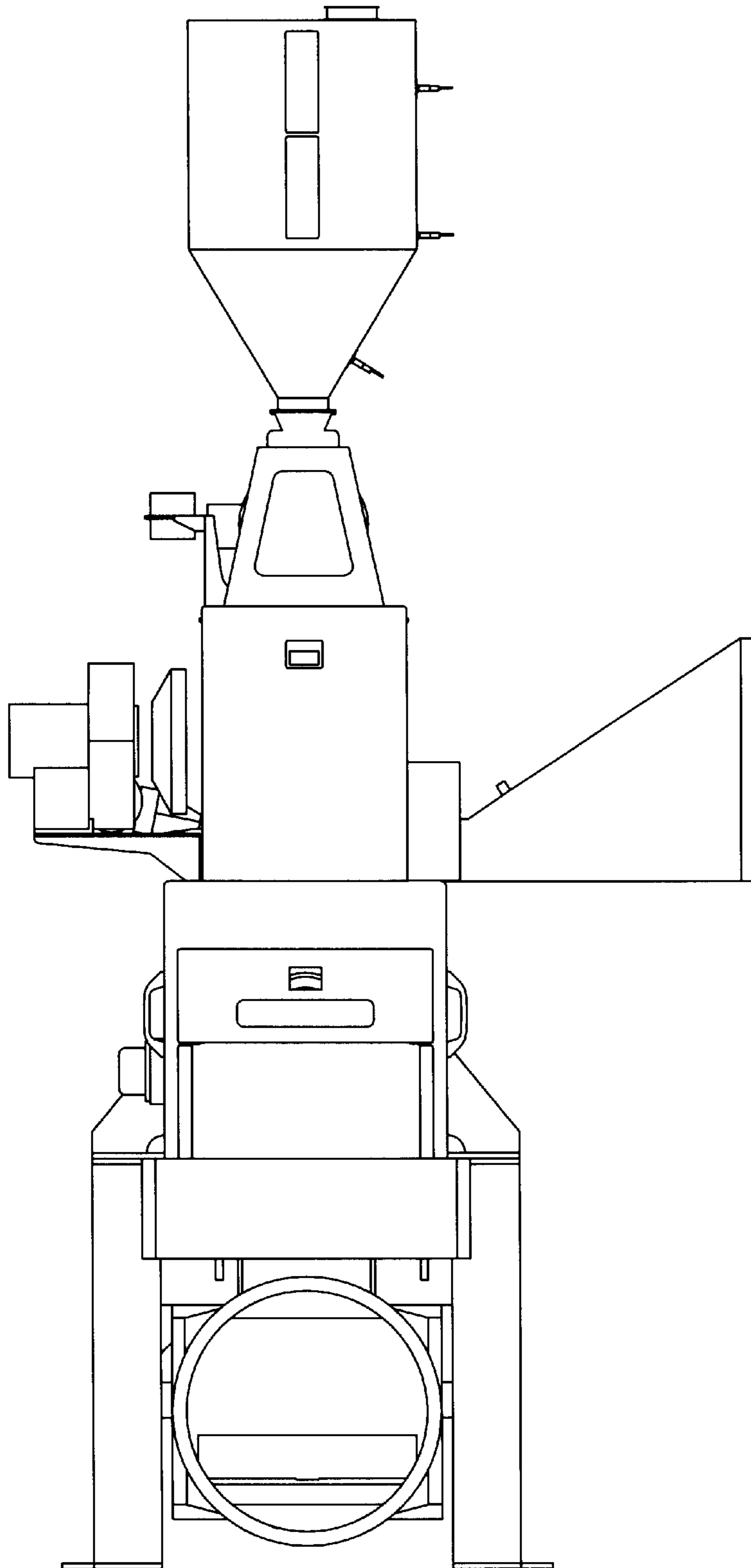


FIG.6

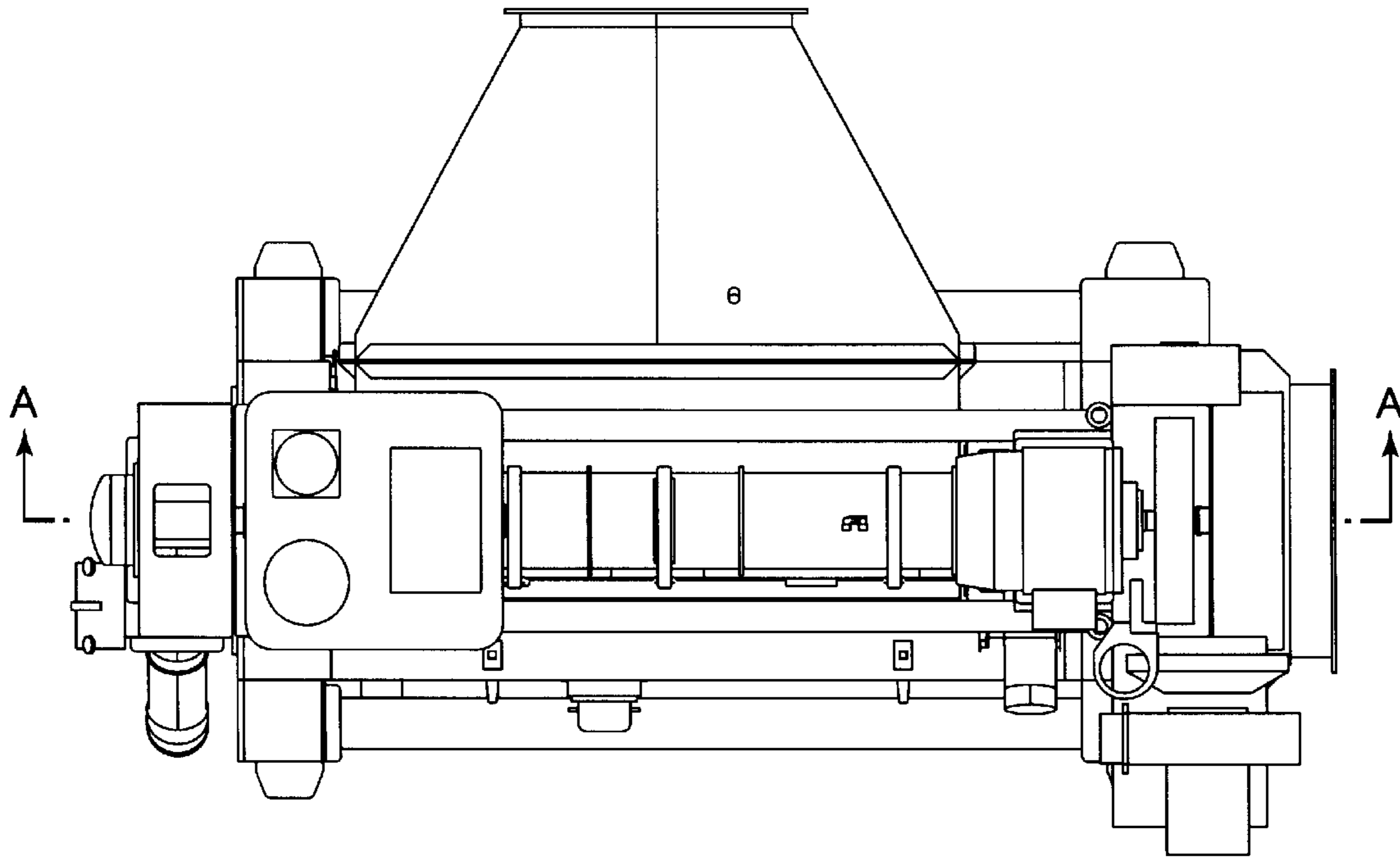


FIG.7

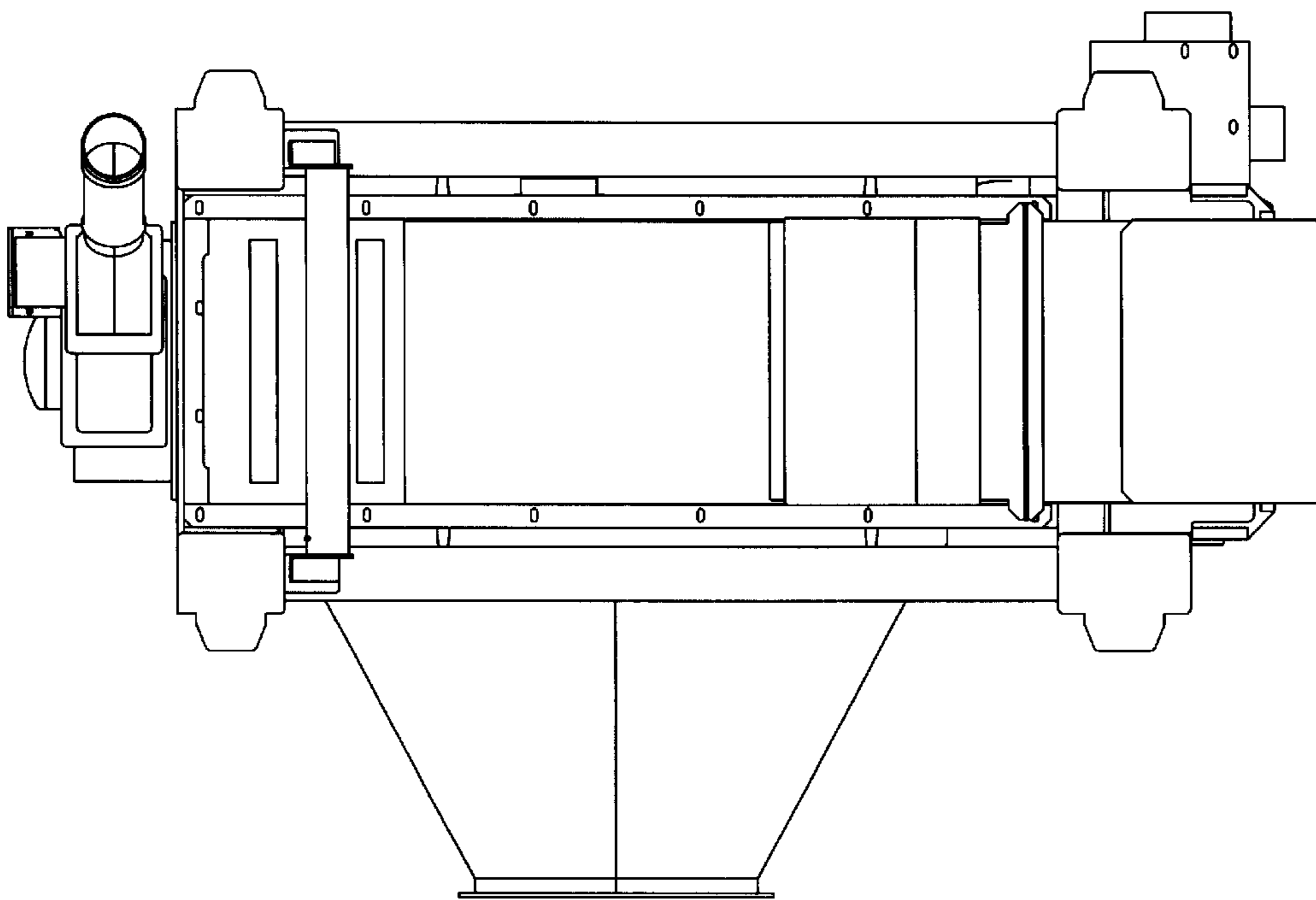


FIG.8

