



US00D515600S

(12) **United States Design Patent**
Ishiwata

(10) **Patent No.:** **US D515,600 S**
(45) **Date of Patent:** **** Feb. 21, 2006**

- (54) **PUNCH PRESS**
- (75) Inventor: **Fumikazu Ishiwata, Isehara (JP)**
- (73) Assignee: **Amada Company, Limited, Kanagawa (JP)**
- (**) Term: **14 Years**
- (21) Appl. No.: **29/222,119**
- (22) Filed: **Jan. 27, 2005**

- 5,682,657 A 11/1997 Hirose
- 5,763,852 A 6/1998 Brolund et al.
- 5,970,832 A 10/1999 Aizawa
- 6,013,017 A 1/2000 Aizawa
- 6,460,387 B1 * 10/2002 Seto 72/446

* cited by examiner

Primary Examiner—Antoine D. Davis
(74) *Attorney, Agent, or Firm*—Greenblum & Bernstein, P.L.C.

Related U.S. Application Data

- (62) Division of application No. 29/196,442, filed on Dec. 31, 2003, now Pat. No. Des. 506,482.

(30) **Foreign Application Priority Data**

- Jul. 1, 2003 (JP) 2003-018925
- Jul. 1, 2003 (JP) 2003-018926

- (51) **LOC (8) Cl.** **15-09**
- (52) **U.S. Cl.** **D15/128**
- (58) **Field of Classification Search** D15/128;
72/446; 83/76.1, 227, 522, 559, 563, 859;
483/29

See application file for complete search history.

(56) **References Cited**

U.S. PATENT DOCUMENTS

- 4,423,546 A 1/1984 Scott et al.
- 4,558,616 A 12/1985 Sakamoto
- D343,398 S 1/1994 Dunn
- D361,578 S 8/1995 Wareham
- 5,442,985 A 8/1995 Ito

(57) **CLAIM**

The ornamental design for punch press, as shown and described.

DESCRIPTION

FIG. 1 is a perspective view of an embodiment of a portion of a punch press, showing my new design;
 FIG. 2 is a front elevational view of the embodiment of FIG. 1;
 FIG. 3 is a rear elevational view of the embodiment of FIG. 1;
 FIG. 4 is a right side elevational view of the embodiment of FIG. 1;
 FIG. 5 is a left side elevational view of the embodiment of FIG. 1; and,
 FIG. 6 is a top plan view of the embodiment of FIG. 1.
 The broken lines are for illustrative purposes only and form no part of the claimed design. The lines consisting of long lines and dots indicate border lines only between the claimed portion and unclaimed portion of the design. Shading is added only for expressing surface contour of the design.

1 Claim, 4 Drawing Sheets

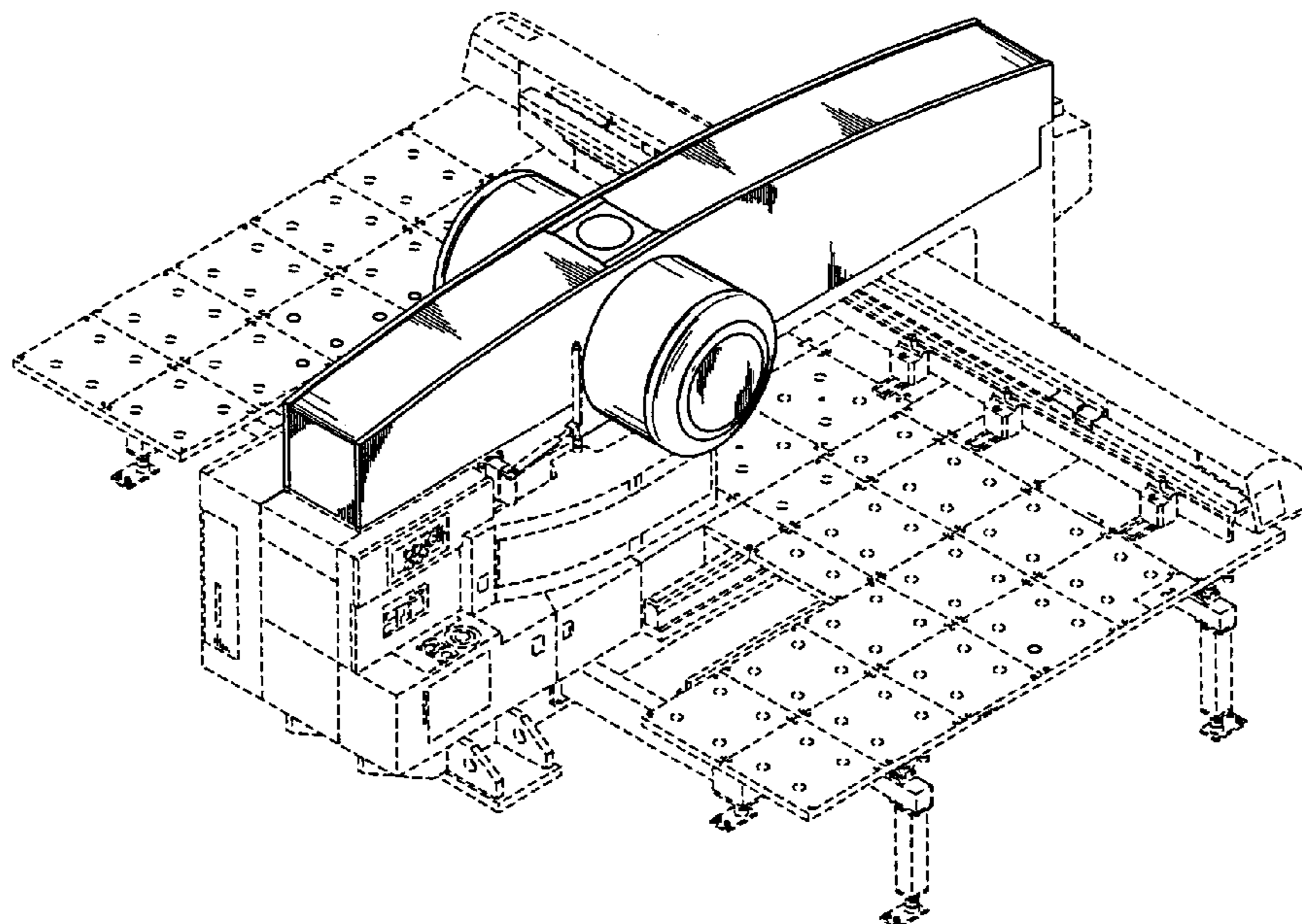


Fig. 1

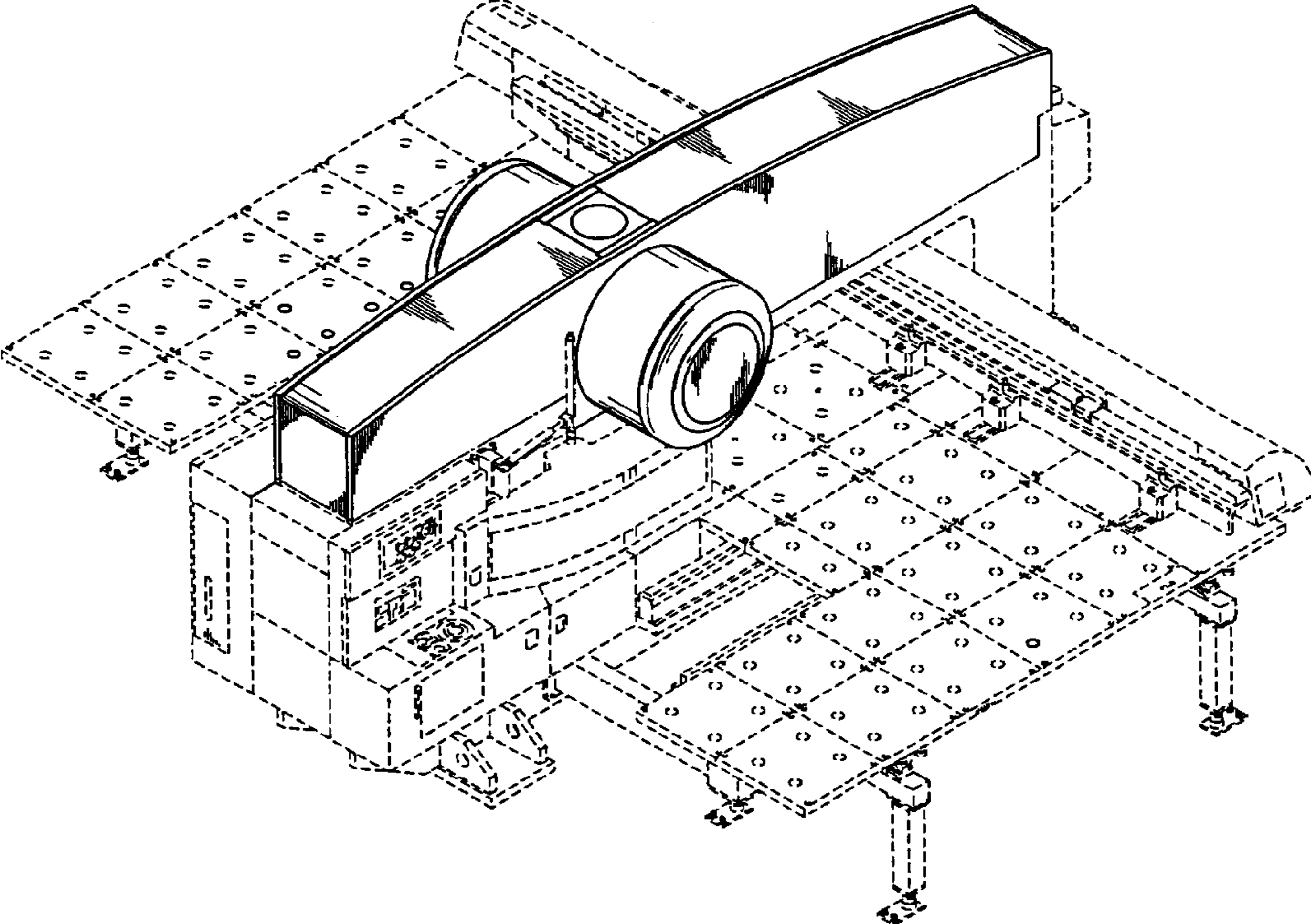


Fig. 2

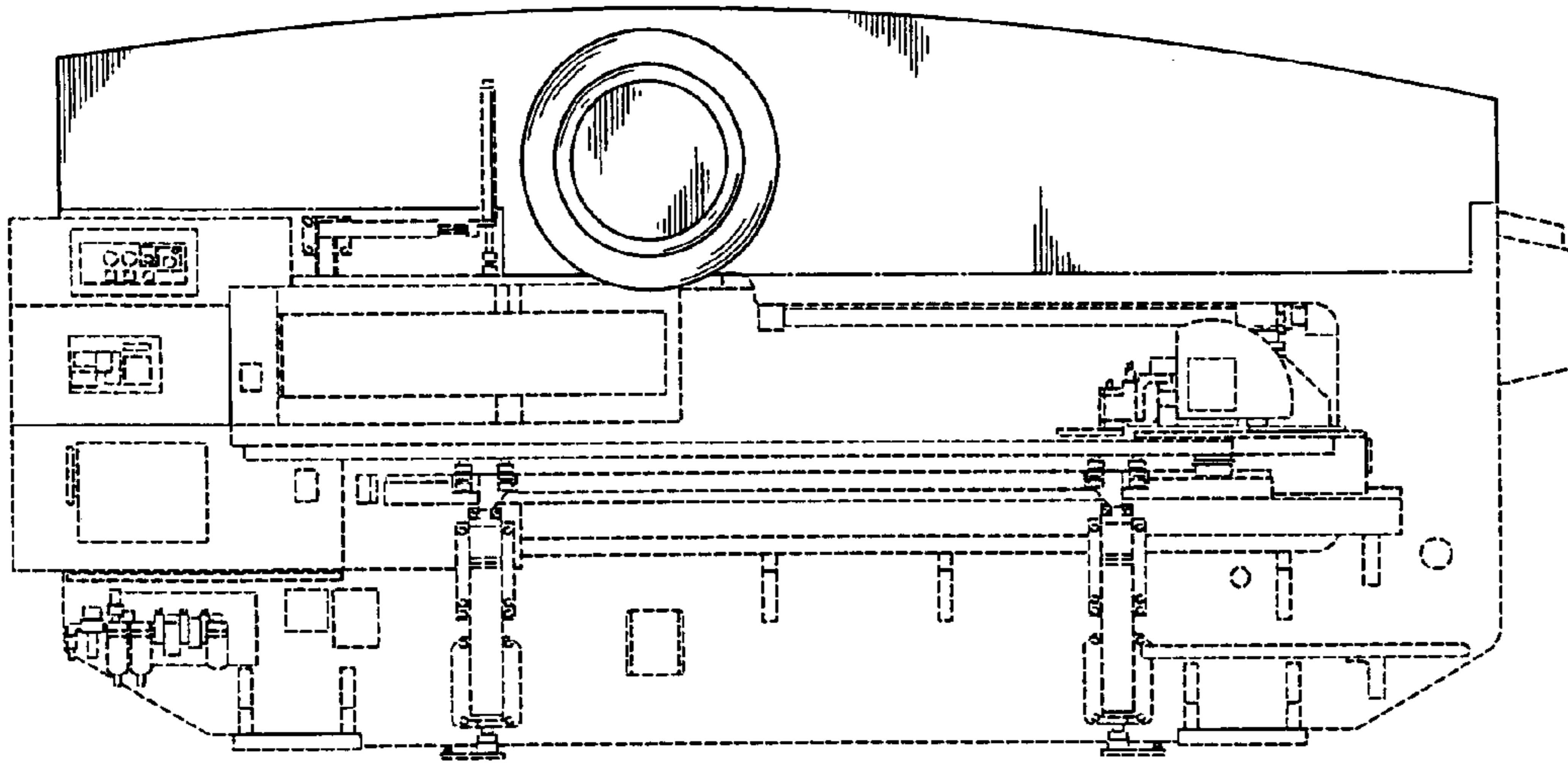


Fig. 3

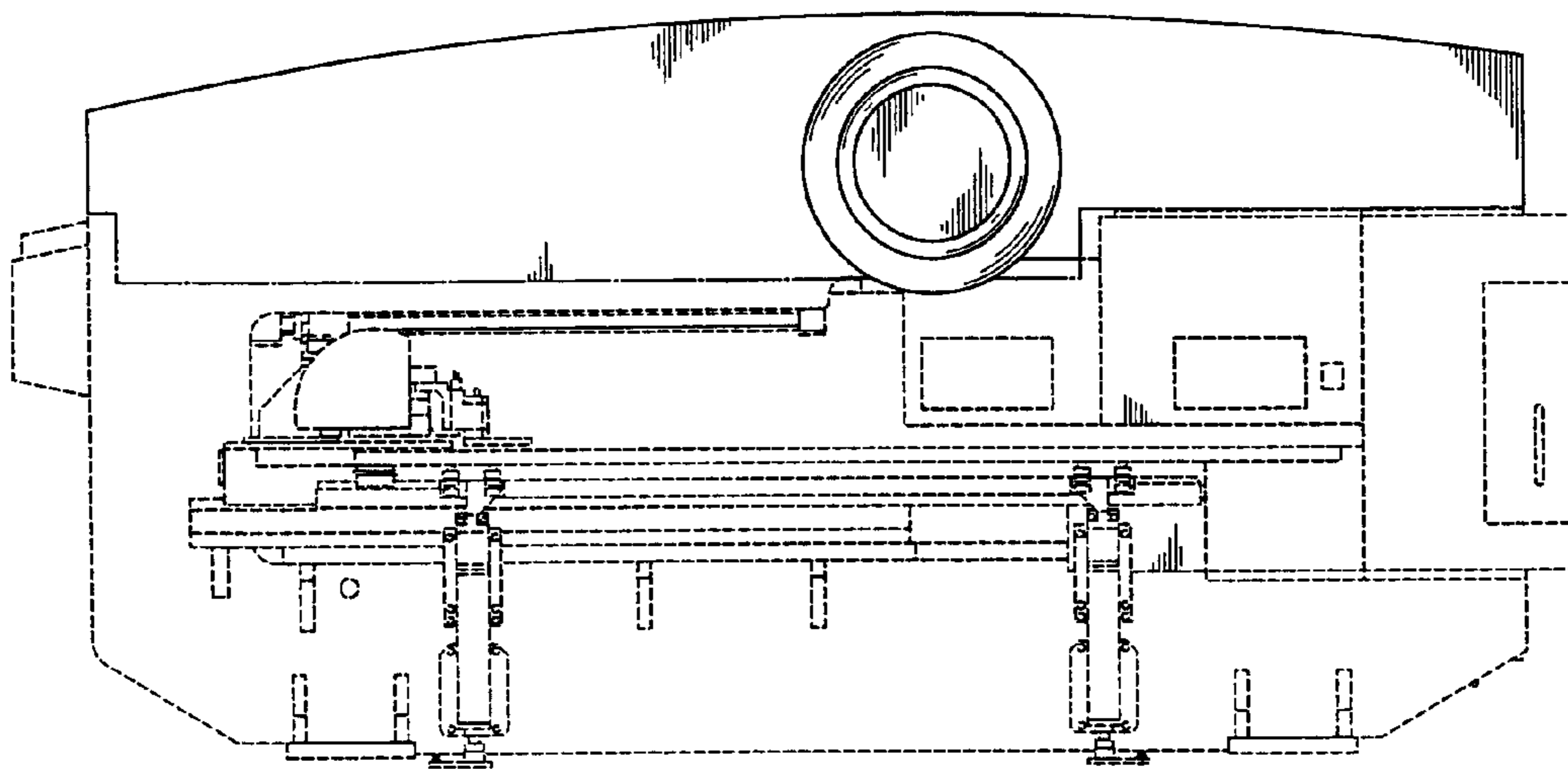


Fig. 4

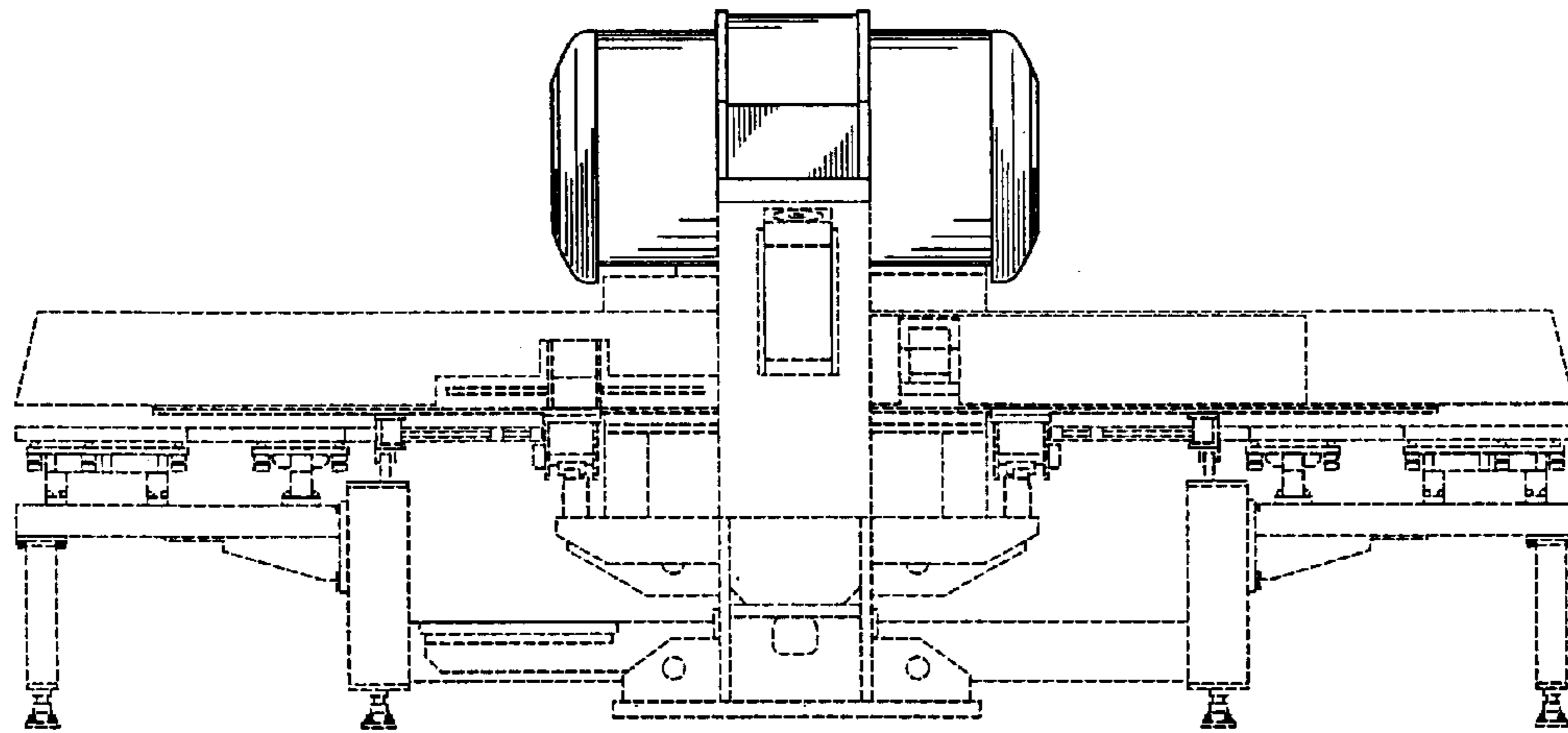


Fig. 5

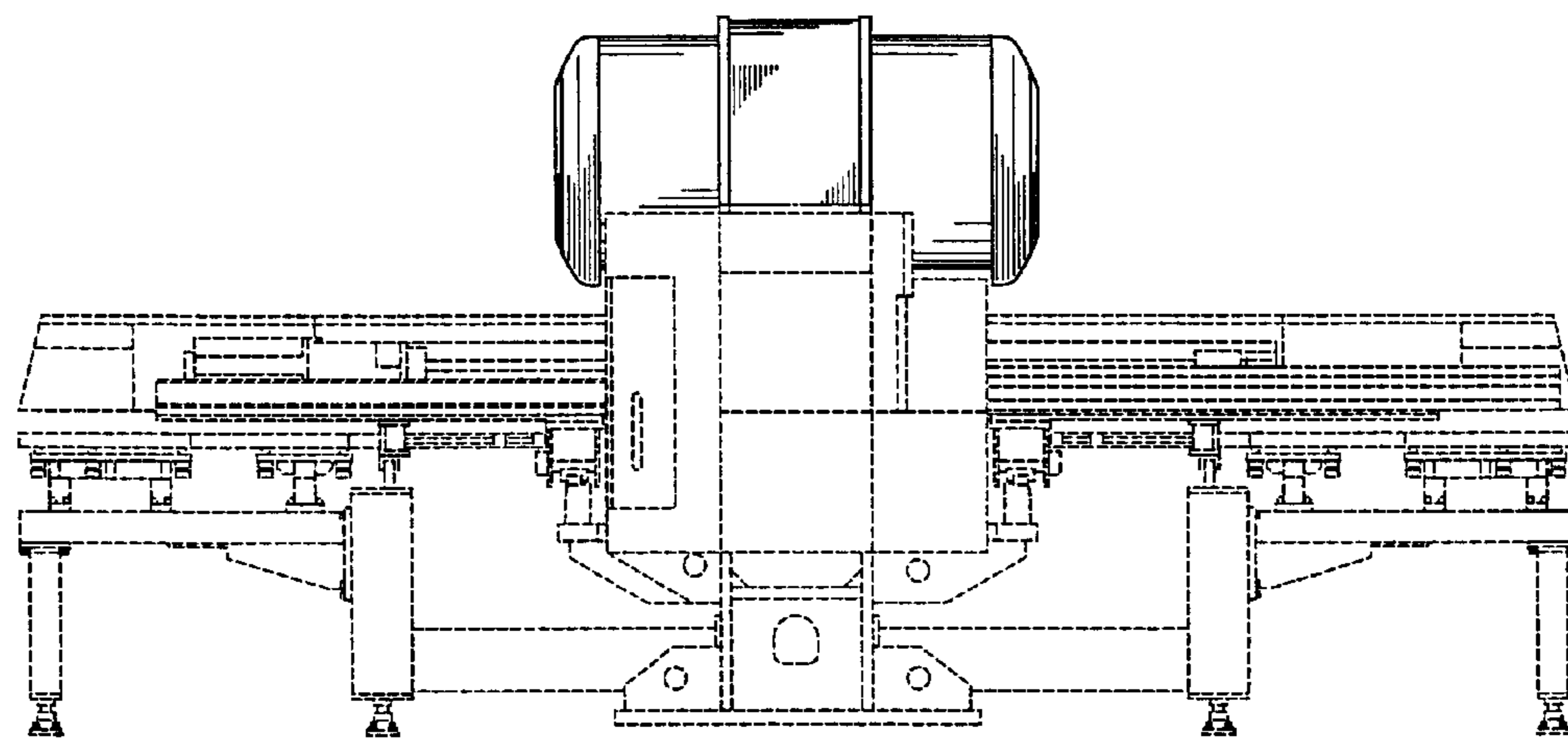


Fig. 6

