



US00D515594S

(12) **United States Design Patent**  
**Kawaguchi**

(10) **Patent No.:** **US D515,594 S**  
(45) **Date of Patent:** **\*\* Feb. 21, 2006**

(54) **PRESSER FOOT FOR SEWING MACHINE**

(75) Inventor: **Shinichi Kawaguchi**, Tokyo (JP)

(73) Assignee: **Kawaguchi Co., Ltd.**, Tokyo (JP)

(\*\*) Term: **14 Years**

(21) Appl. No.: **29/216,987**

(22) Filed: **Nov. 12, 2004**

(51) **LOC (8) Cl.** ..... **15-06**

(52) **U.S. Cl.** ..... **D15/78; D15/72**

(58) **Field of Classification Search** ..... **D15/72,**  
**D15/78; 112/226, 270, 235-240, 259-261;**  
**225/83; 451/432**

See application file for complete search history.

(56) **References Cited**

**U.S. PATENT DOCUMENTS**

3,420,197	A	*	1/1969	Jacobsen et al.	.....	112/235
3,716,008	A	*	2/1973	Howell	.....	112/240
3,726,243	A	*	4/1973	Howell	.....	112/235
3,858,539	A	*	1/1975	Van Amburg	.....	112/235
3,859,939	A	*	1/1975	Howell	.....	112/235
3,993,009	A	*	11/1976	Osaki	.....	112/235
D243,555	S	*	3/1977	Drew	.....	D15/72
4,979,449	A	*	12/1990	Graves	.....	112/235

\* cited by examiner

*Primary Examiner*—Stella Reid

*Assistant Examiner*—Shanda C. Hill

(74) *Attorney, Agent, or Firm*—Wenderoth, Lind & Ponack, L.L.P.

(57) **CLAIM**

The ornamental design for a presser foot for sewing machine, as shown and described.

**DESCRIPTION**

FIG. 1 is a perspective view of a presser foot for sewing machine, showing my new design;

FIG. 2 is a front elevational view thereof;

FIG. 3 is a rear elevational view thereof;

FIG. 4 is a top plan view thereof;

FIG. 5 is a bottom plan view thereof;

FIG. 6 is a left side elevational view thereof;

FIG. 7 is a right side elevational view thereof;

FIG. 8 is a cross sectional view thereof, taken along line 8—8 of FIG. 4; and,

FIG. 9 is a perspective view thereof, in use condition.

The broken line shown is for illustrative purposes only and forms no part of the claimed design.

**1 Claim, 4 Drawing Sheets**

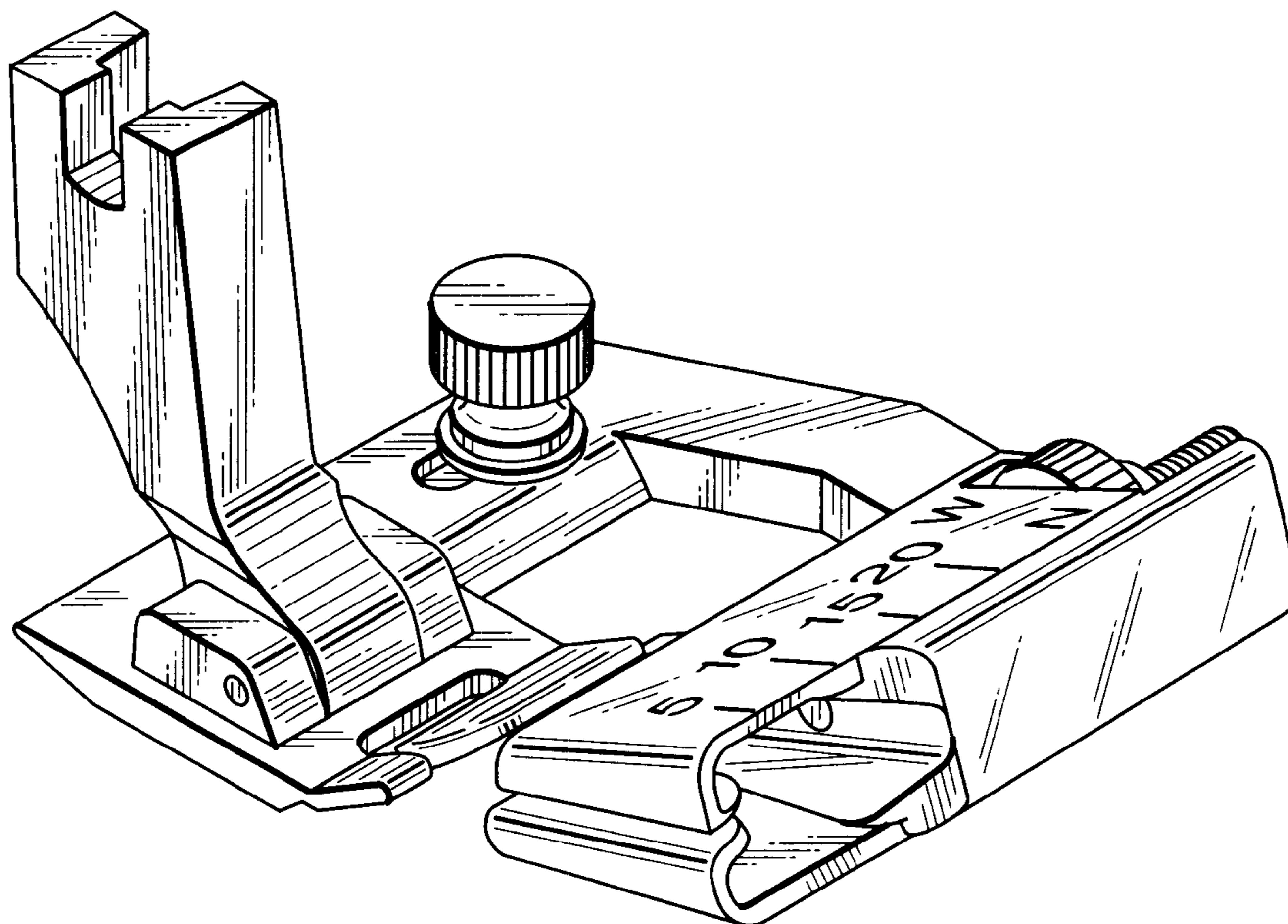


FIG. 1

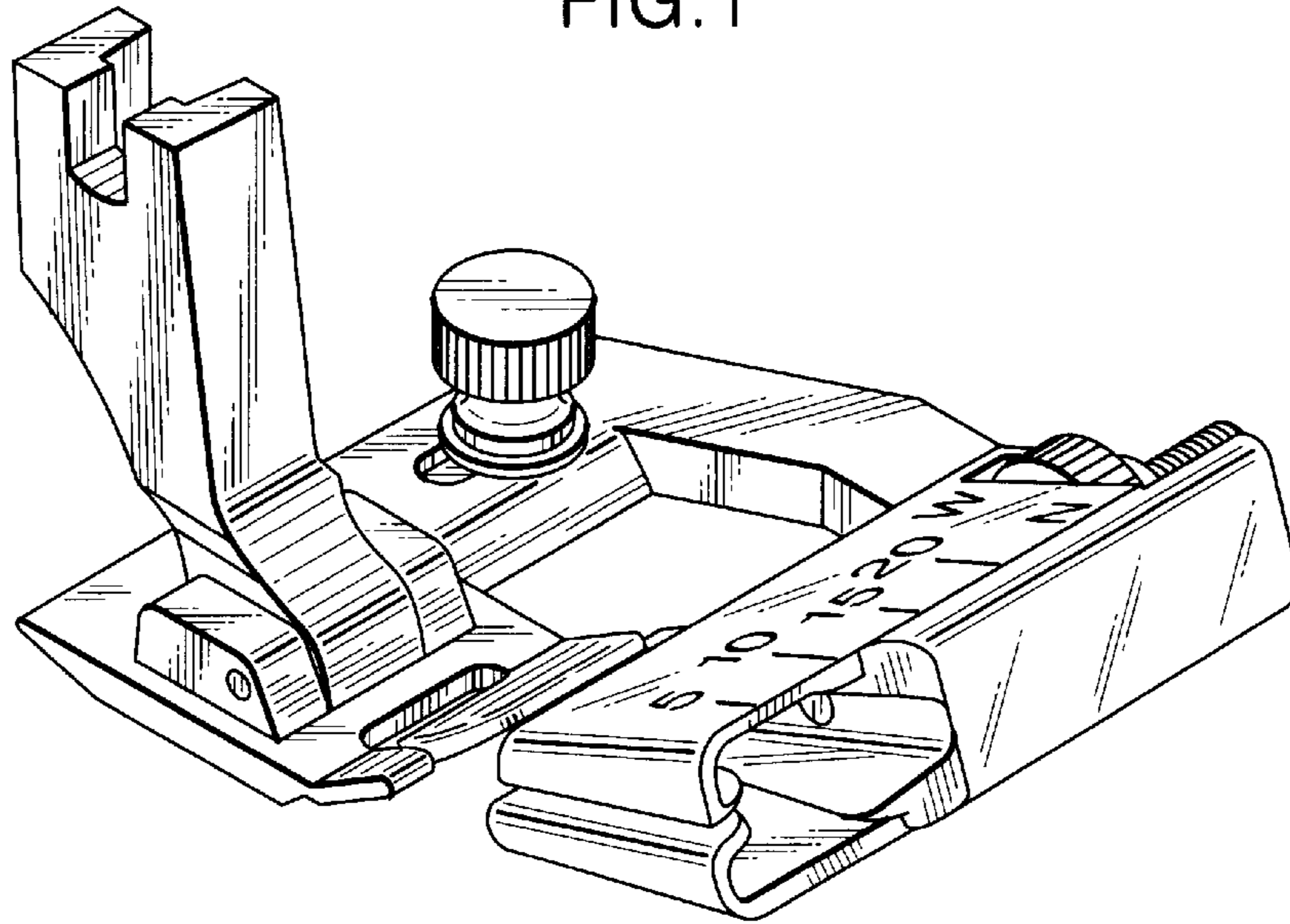


FIG. 2

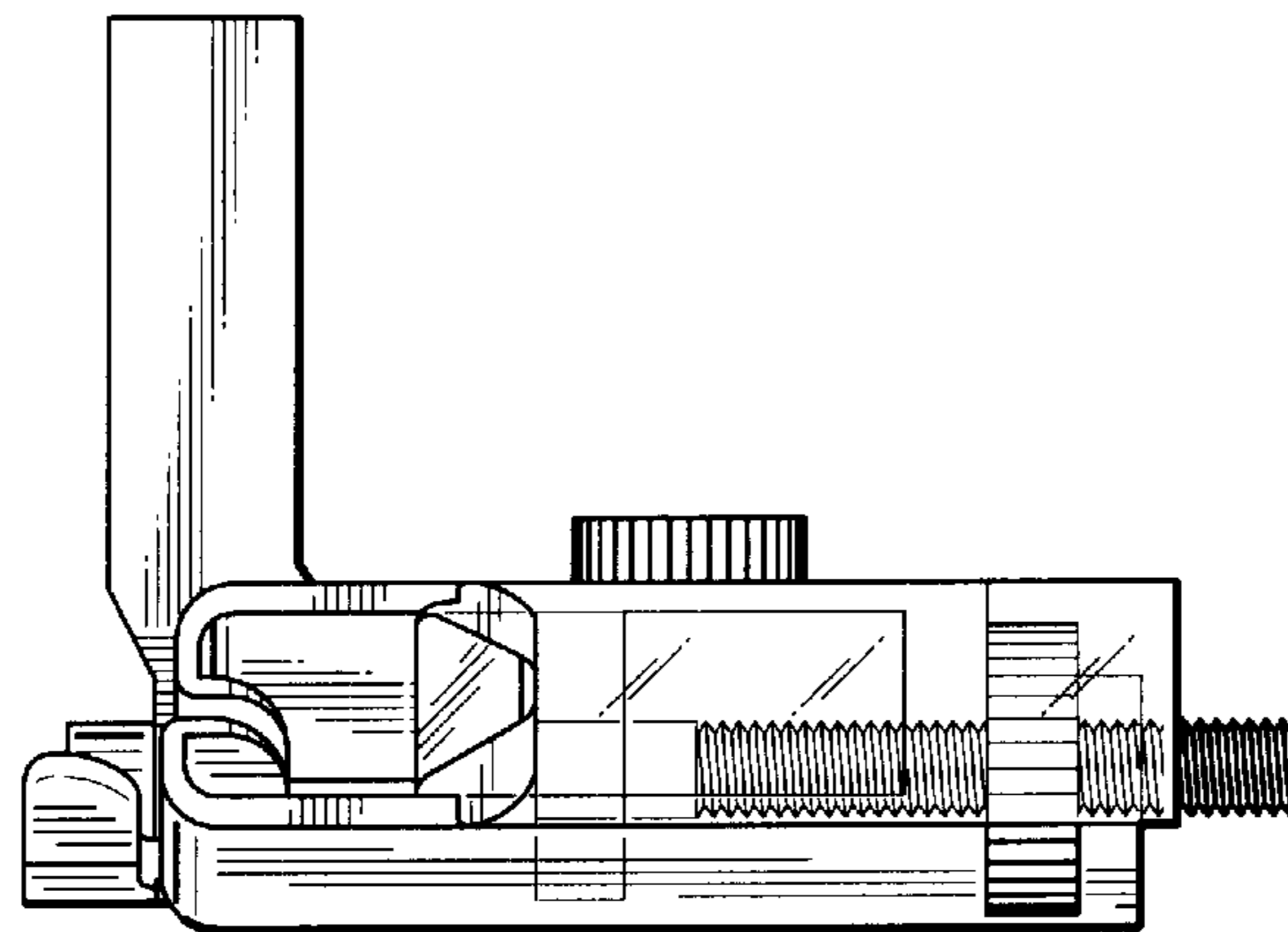


FIG. 3

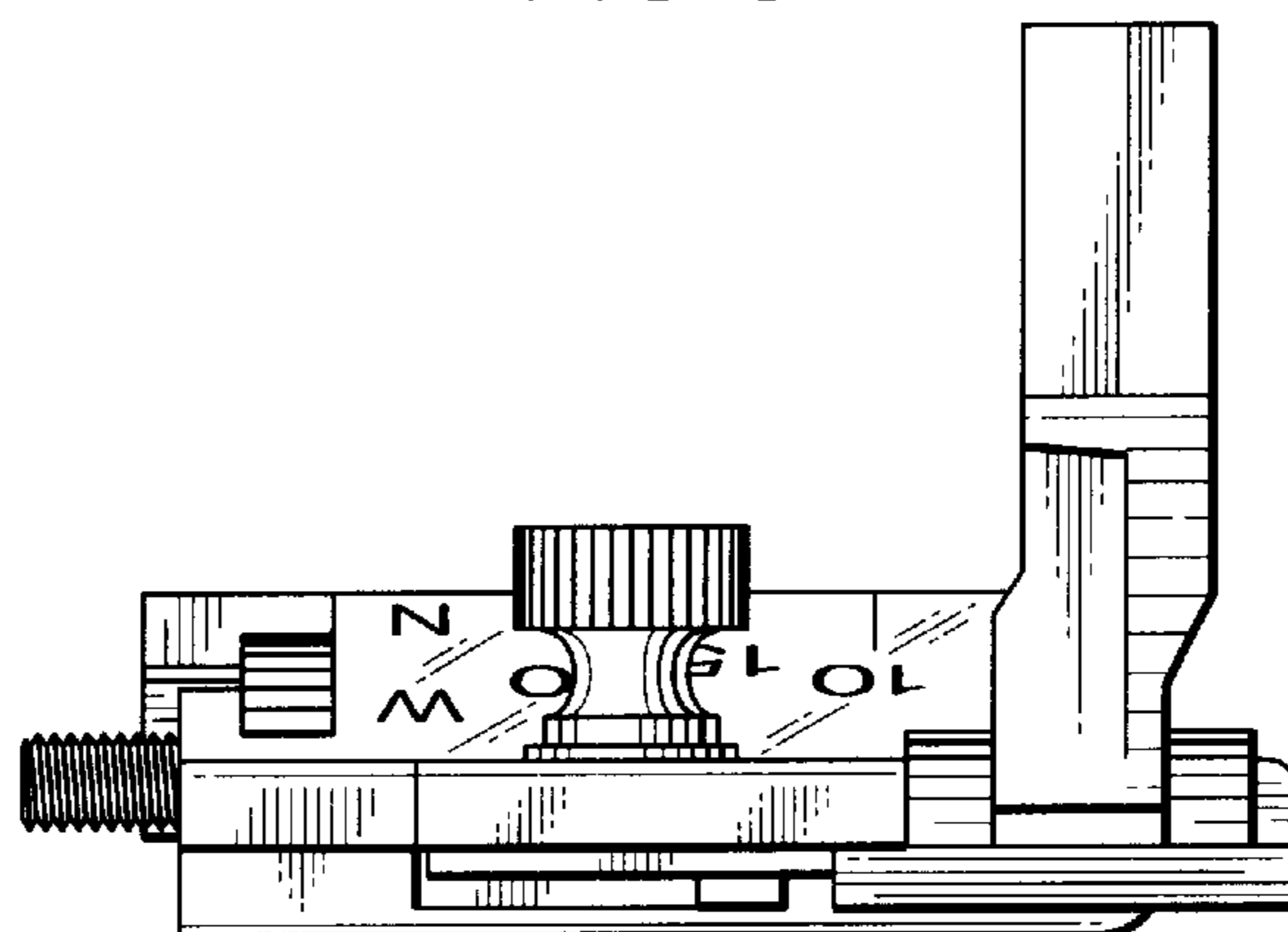


FIG. 4

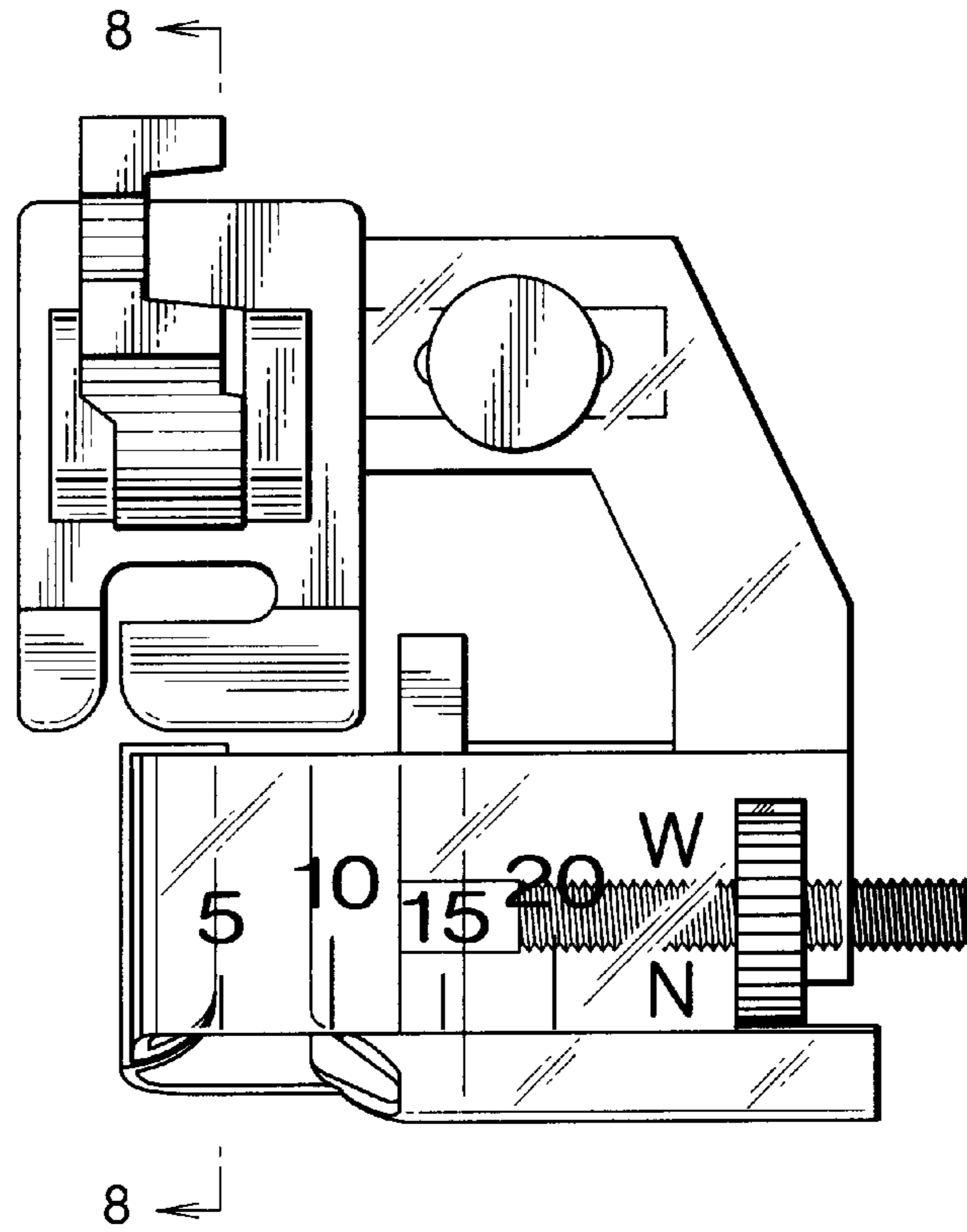


FIG. 5

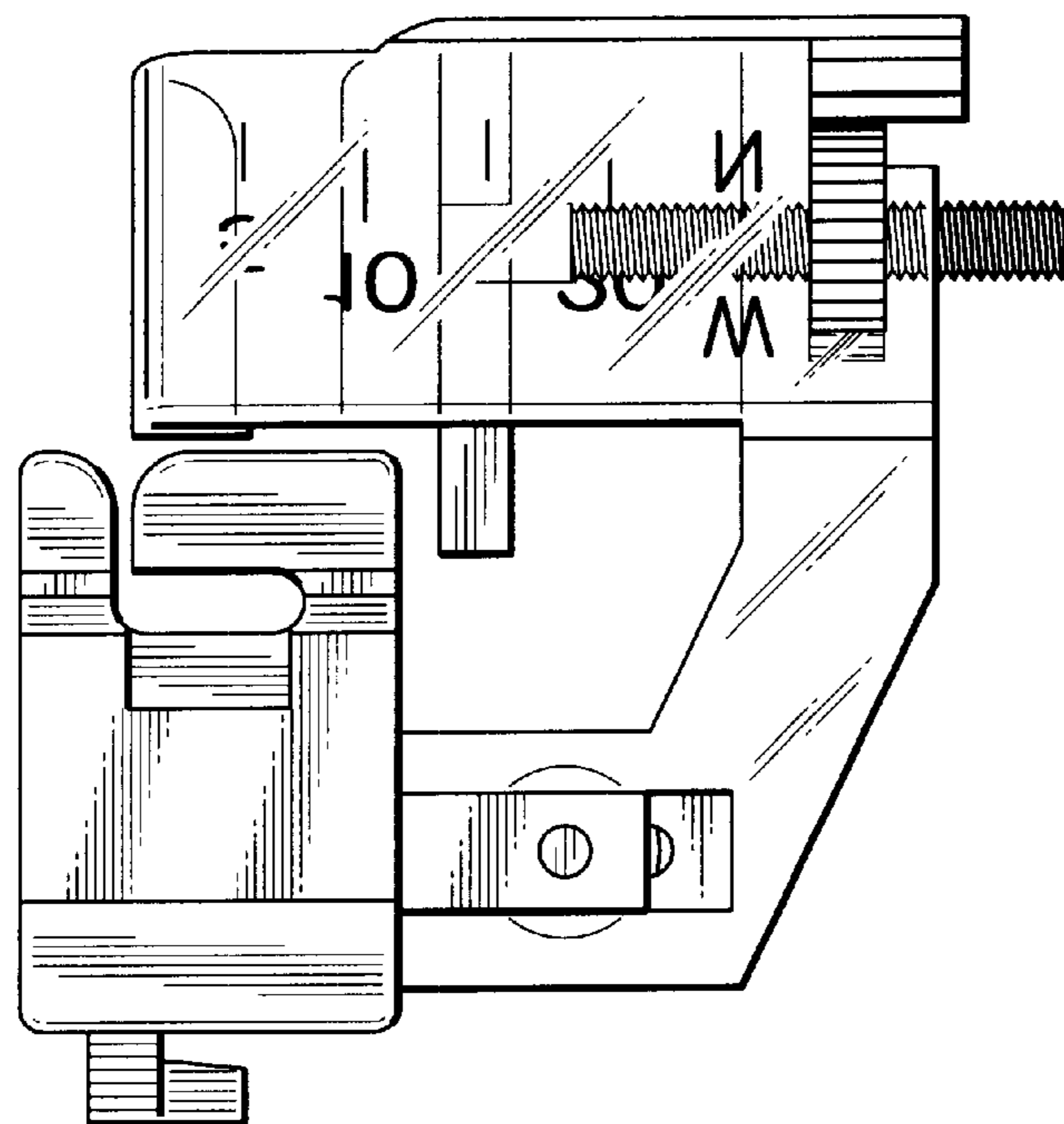


FIG.6

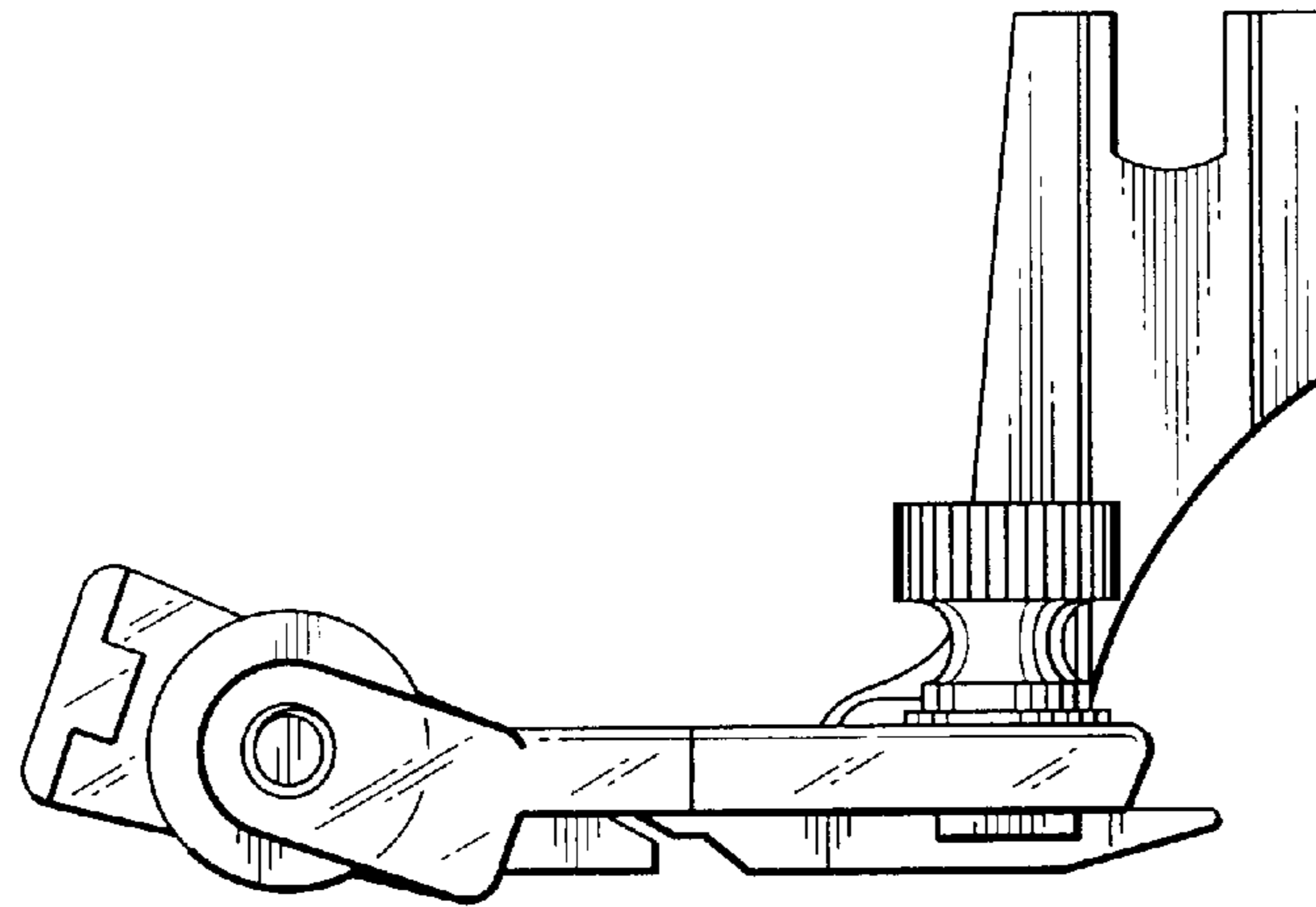


FIG.7

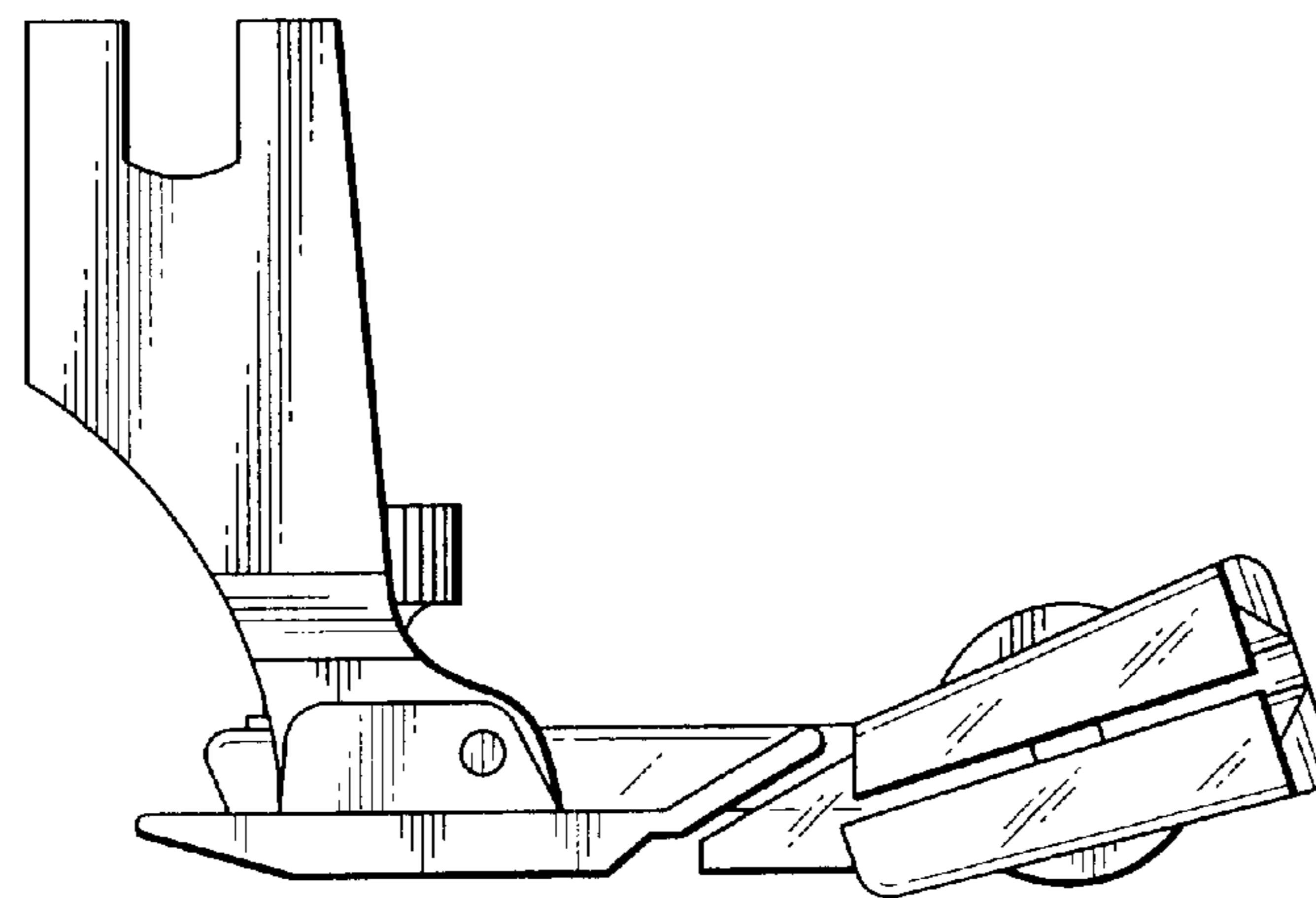




FIG. 8

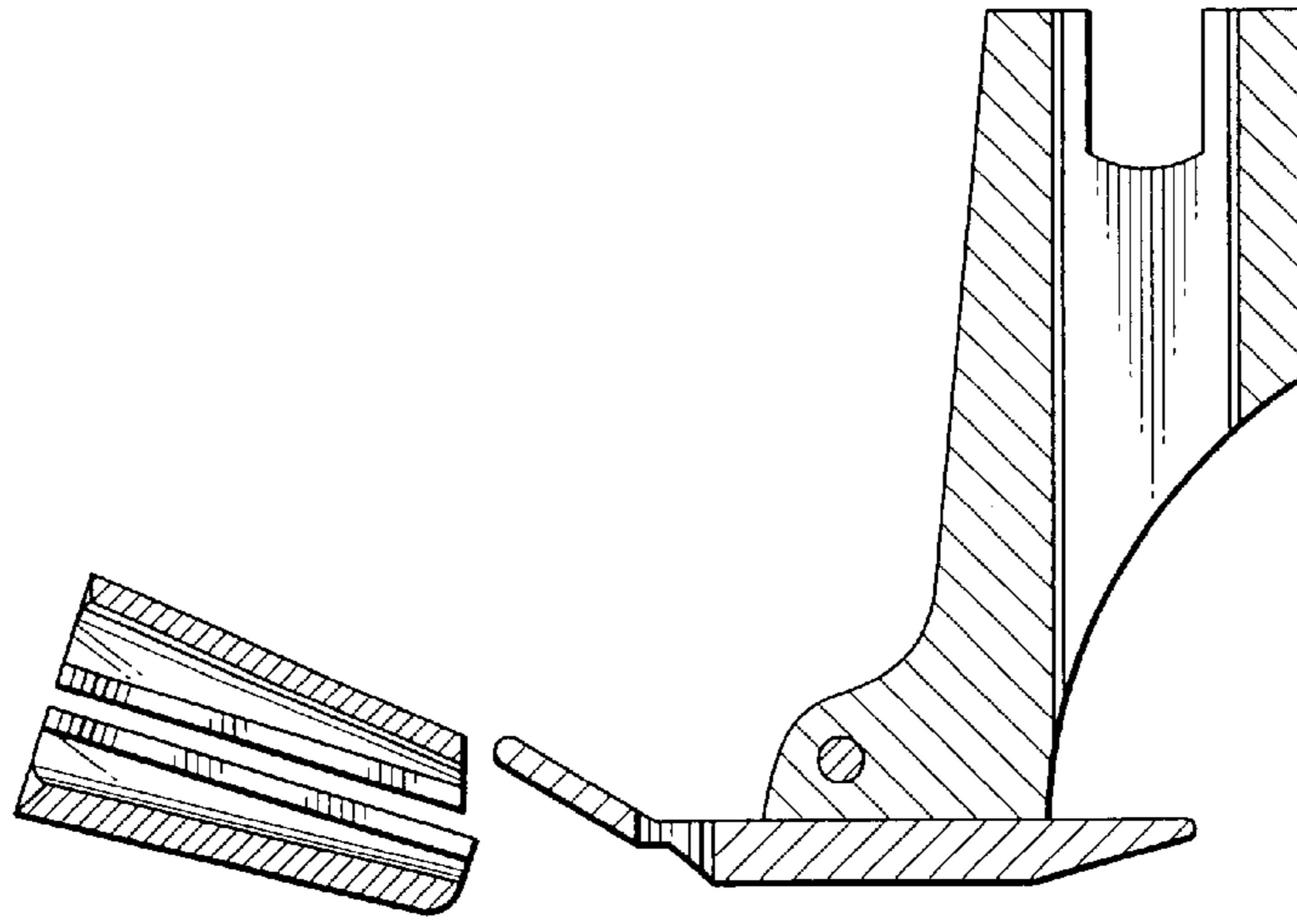


FIG. 9

