



US00D515593S

(12) **United States Design Patent**
Haubrich et al.

(10) **Patent No.:** **US D515,593 S**

(45) **Date of Patent:** **** Feb. 21, 2006**

(54) **CONSOLE OF A CONSTRUCTION VEHICLE**

D427,613 S * 7/2000 Altmann et al. D15/28
D428,022 S * 7/2000 Altmann et al. D15/28

(75) Inventors: **Thomas Haubrich**, Gödenroth (DE);
Roland Loew, Klein-Winternheim (DE)

* cited by examiner

(73) Assignee: **Bomag GmbH**, Boppard (DE)

(**) Term: **14 Years**

Primary Examiner—Stella Reid
Assistant Examiner—Mark A. Goodwin

(21) Appl. No.: **29/213,779**

(74) *Attorney, Agent, or Firm*—Baker & Hostetler LLP

(22) Filed: **Sep. 23, 2004**

(57) **CLAIM**

(30) **Foreign Application Priority Data**

The ornamental design for a console of a construction vehicle, as shown and described.

Mar. 23, 2004 (EM) 000155403

(51) **LOC (8) Cl.** **15-03**

(52) **U.S. Cl.** **D15/28**

(58) **Field of Classification Search** D15/28,
D15/10, 17, 22–26, 30, 31; D12/415–424;
D14/100–102; 362/30; 180/90; 296/70
See application file for complete search history.

DESCRIPTION

FIG. 1 is a perspective view of the console of a construction vehicle, particularly showing the inventive design thereof; and,

FIG. 2 is a perspective view thereof.

(56) **References Cited**

U.S. PATENT DOCUMENTS

D365,574 S * 12/1995 Westmayer et al. D15/17

1 Claim, 2 Drawing Sheets

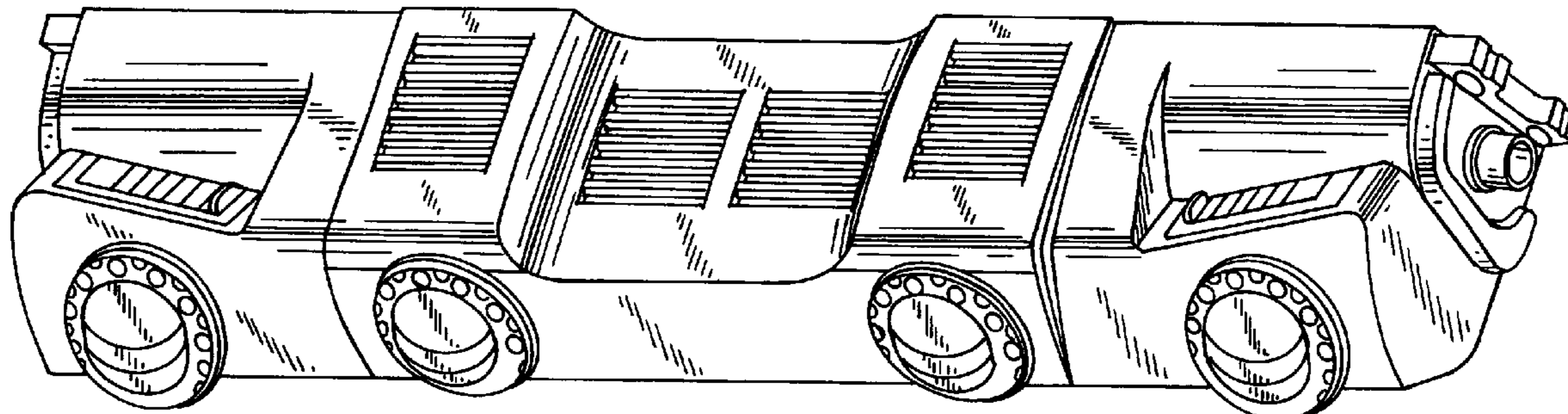
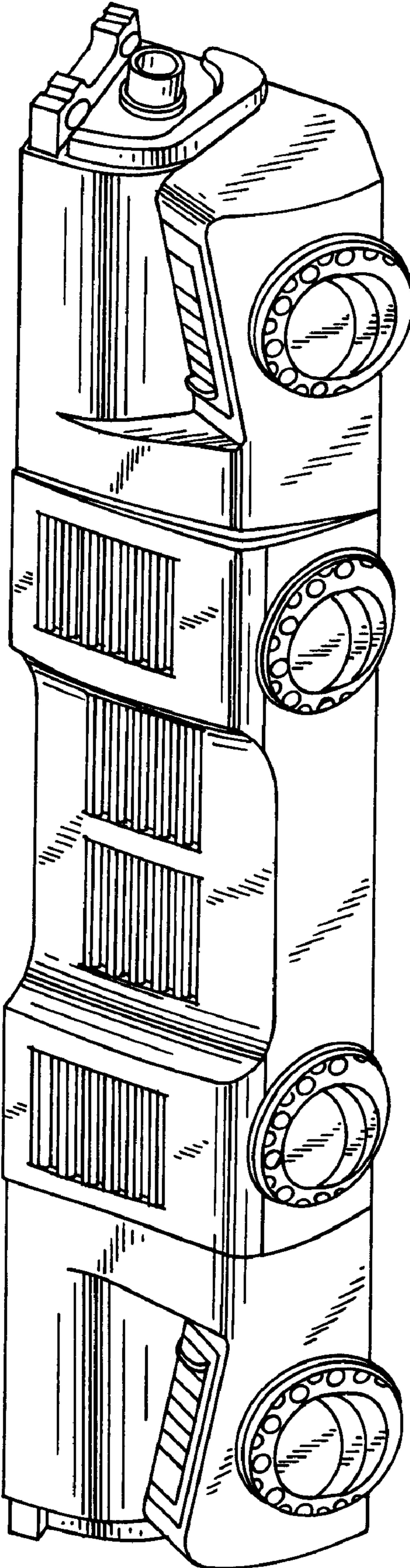


FIG. 1



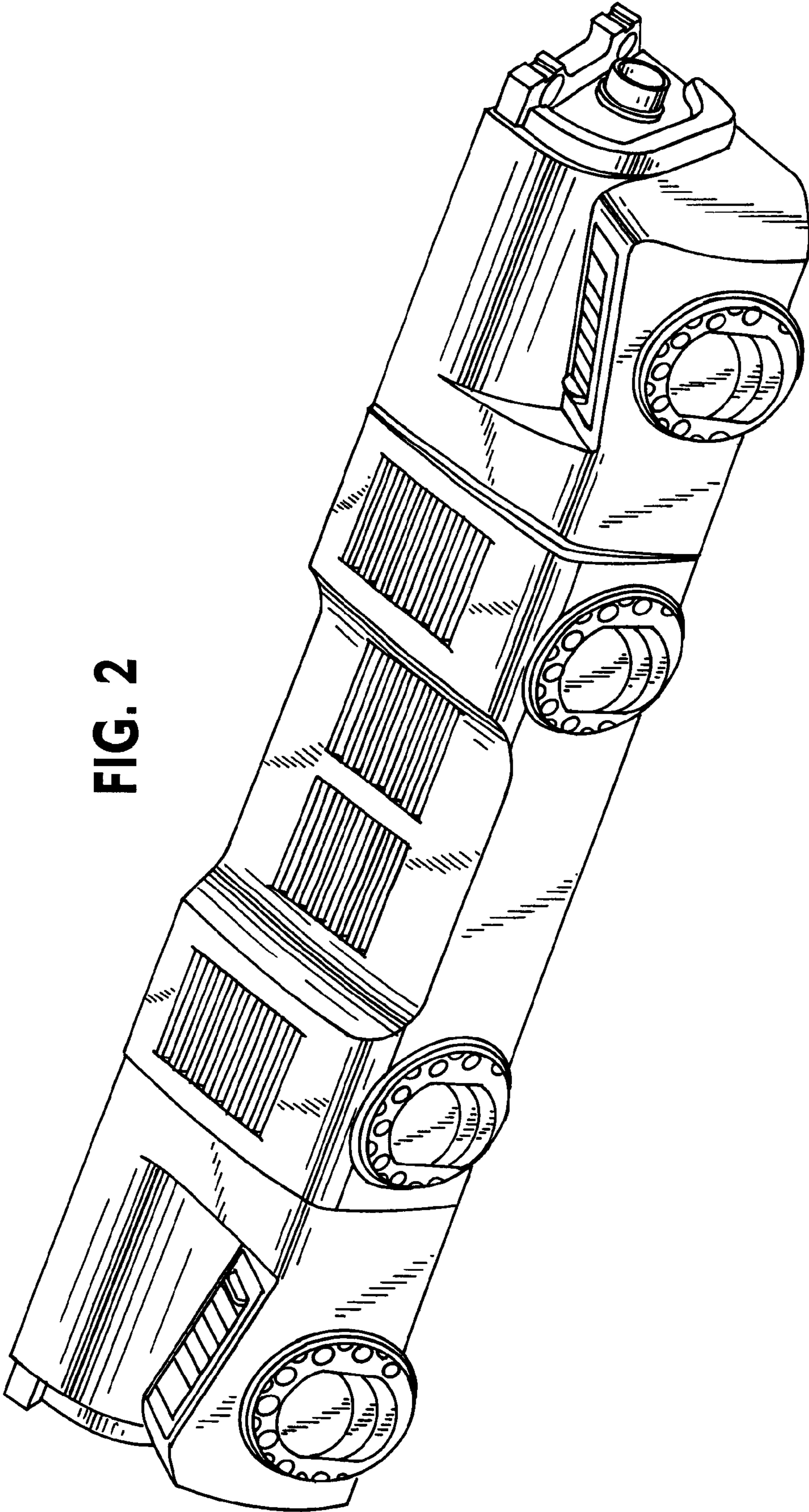


FIG. 2