



US00D515590S

(12) **United States Design Patent** (10) **Patent No.:** **US D515,590 S**
Freitas (45) **Date of Patent:** **** Feb. 21, 2006**

(54) **PUMP VALVE PISTON**

(75) Inventor: **Michael W. Freitas**, Colleyville, TX (US)

(73) Assignee: **Dispenser Services of Texas, Inc.**, Arlington, TX (US)

(**) Term: **14 Years**

(21) Appl. No.: **29/197,166**

(22) Filed: **Jan. 13, 2004**

(51) **LOC (8) Cl.** **15-02**

(52) **U.S. Cl.** **D15/7**

(58) **Field of Classification Search** D15/5,
D15/7-9; 417/545, 546; 222/129.1; 92/127,
92/224, 172, 229, 237, 212; 123/193.6, 47 A,
123/47 R, 50 A, 50 B, 41.35, 47 AB
See application file for complete search history.

D371,562 S * 7/1996 Rushfeldt D15/7
D373,773 S * 9/1996 Hund, Jr. D15/5
D377,493 S * 1/1997 Oda et al. D15/5
D383,761 S * 9/1997 Huntzinger D15/5
D399,212 S * 10/1998 Roderweiss et al. D15/5
5,839,351 A * 11/1998 Nakada 92/160
6,193,482 B1 * 2/2001 Chen 417/549
6,327,962 B1 * 12/2001 Kruse 92/186
6,453,797 B1 * 9/2002 Bauer 92/186
6,763,758 B2 * 7/2004 Kemnitz et al. 92/186
6,772,846 B1 * 8/2004 Scharp 173/1
6,820,582 B1 * 11/2004 Gabriel et al. 123/193.6
6,892,689 B2 * 5/2005 Bischofberger et al. . 123/193.6

* cited by examiner

Primary Examiner—Ralf Seifert

(74) *Attorney, Agent, or Firm*—Locke, Liddell & Sapp

(57) **CLAIM**

The ornamental design for a pump valve piston, as shown and described.

(56) **References Cited**

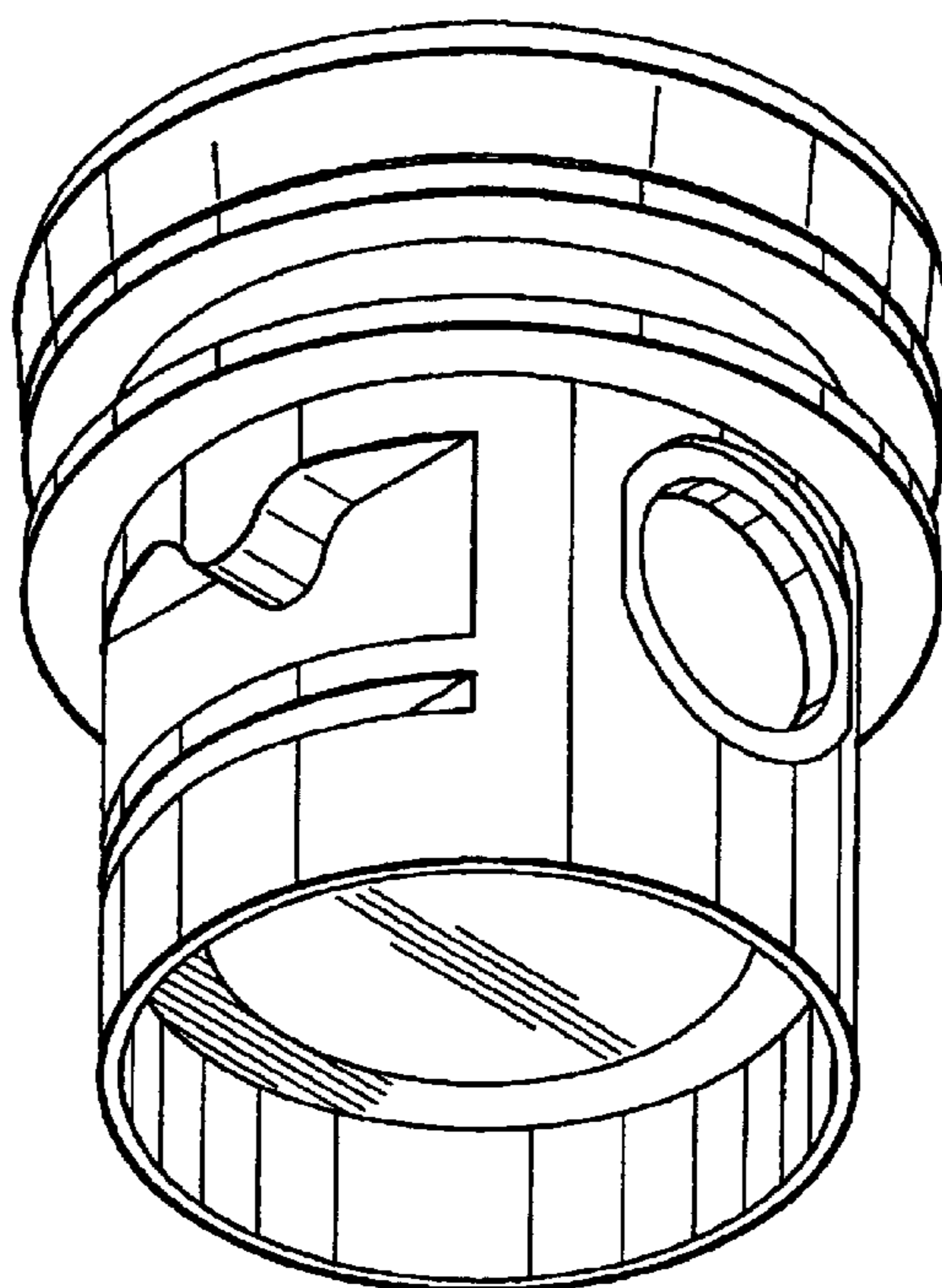
U.S. PATENT DOCUMENTS

1,875,039 A * 8/1932 Leeak 92/220
D122,922 S * 10/1940 Flammang et al. D15/5
2,795,468 A * 6/1957 Venner et al. 92/229
3,906,923 A * 9/1975 Harker 123/193.4
4,194,650 A 3/1980 Nottke et al.
4,541,377 A * 9/1985 Amos 123/307
D286,780 S * 11/1986 Collyear et al. D15/5
D286,781 S * 11/1986 Collyear et al. D15/5
D287,599 S * 1/1987 Murray D15/5
D322,969 S * 1/1992 Ballheimer et al. D15/5
5,114,047 A 5/1992 Baron et al.
5,275,309 A 1/1994 Baron et al.
5,448,942 A * 9/1995 Arai et al. 92/233

DESCRIPTION

FIG. 1 is a perspective view of my pump valve piston;
FIG. 2 is a front elevational view thereof;
FIG. 3 is a bottom plan view thereof;
FIG. 4 is a top plan view thereof;
FIG. 5 is a rear elevation view thereof;
FIG. 6 is a left side elevational view thereof;
FIG. 7 is a right side elevational view thereof;
FIG. 8 is a sectional view taken generally along sectional lines 8—8 of FIG. 4; and,
FIG. 9 is a section view taken generally along sectional lines 9—9 of FIG. 4.

1 Claim, 2 Drawing Sheets



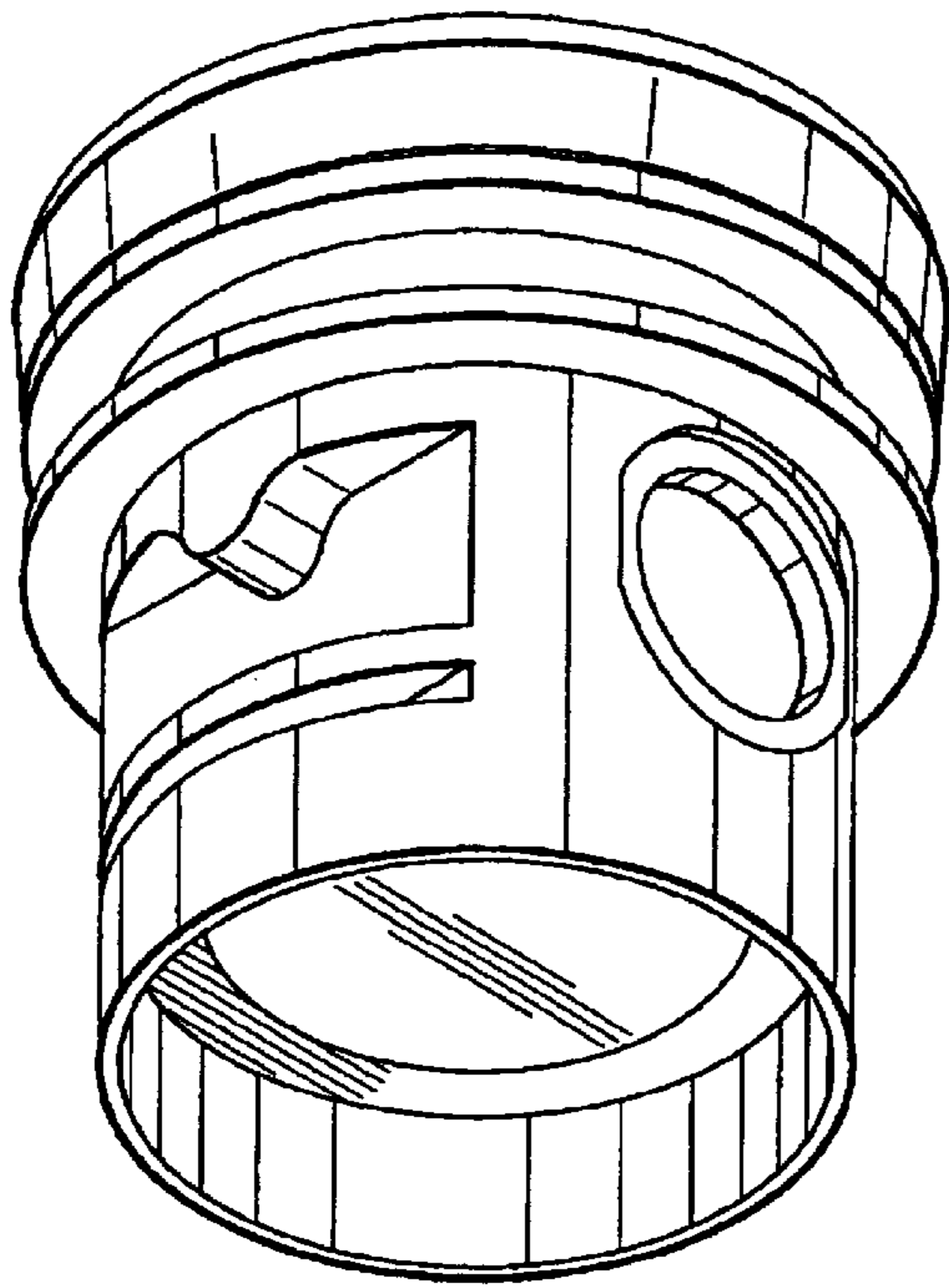


FIG. 1

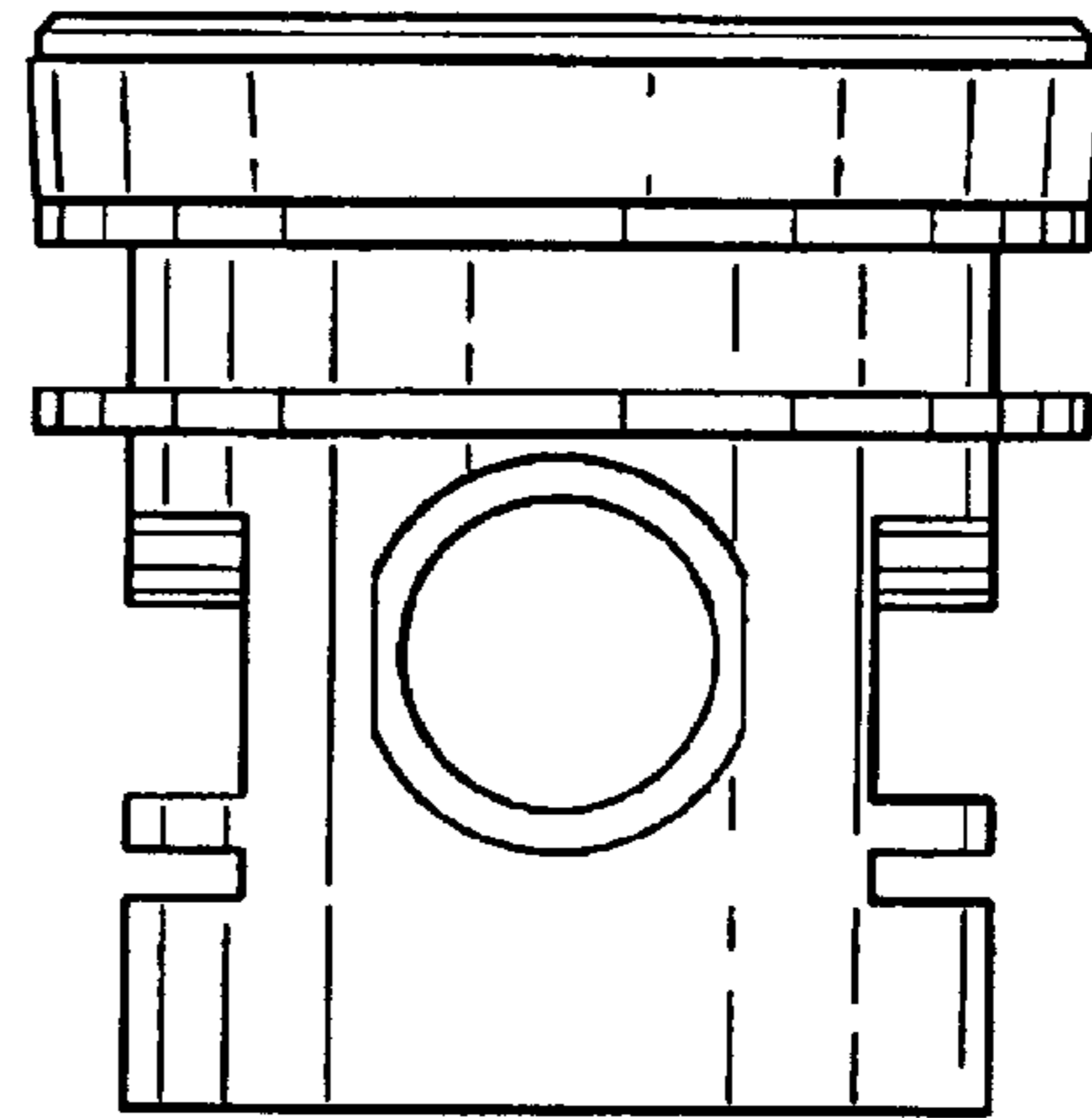


FIG. 2

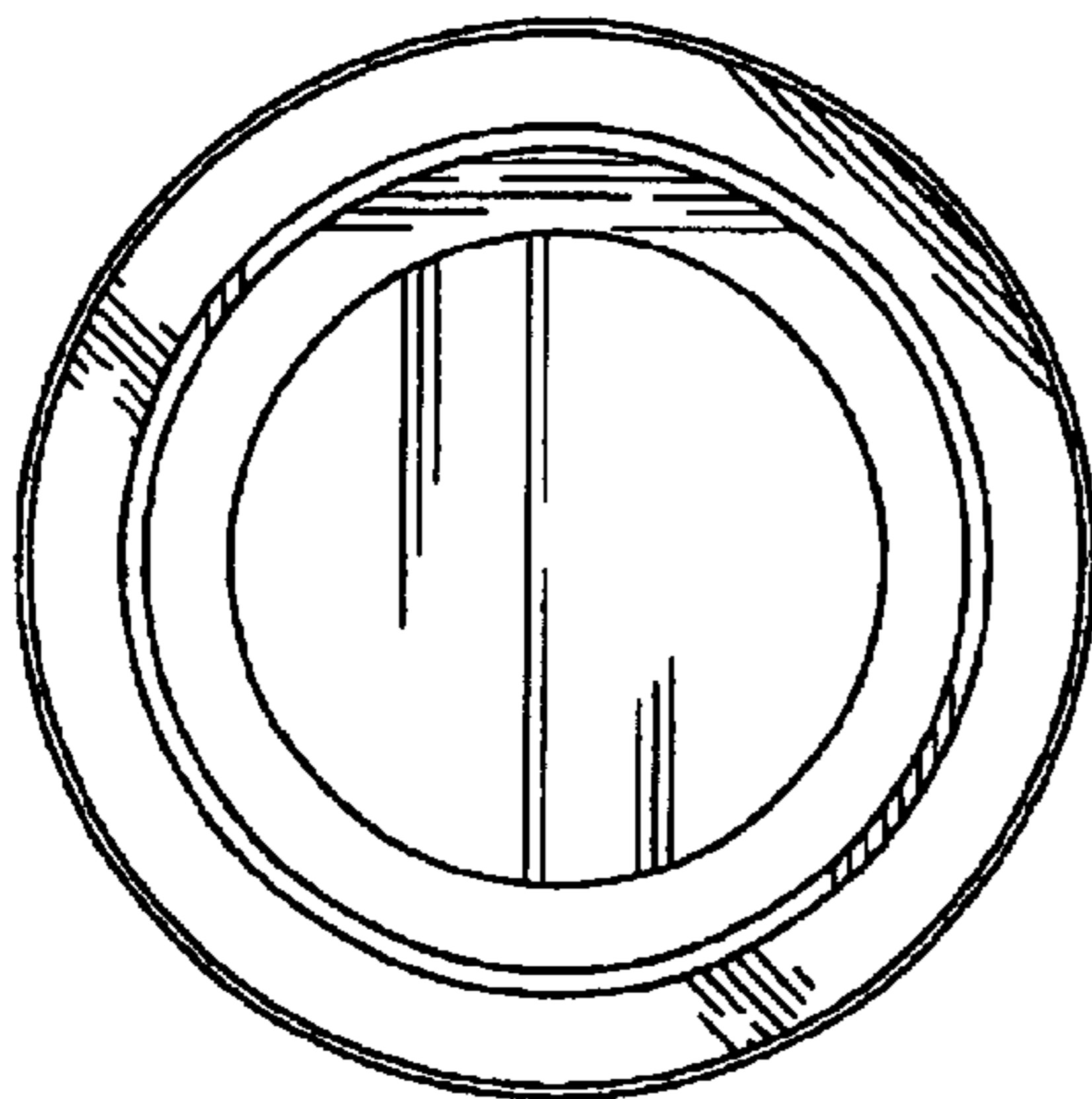


FIG. 3

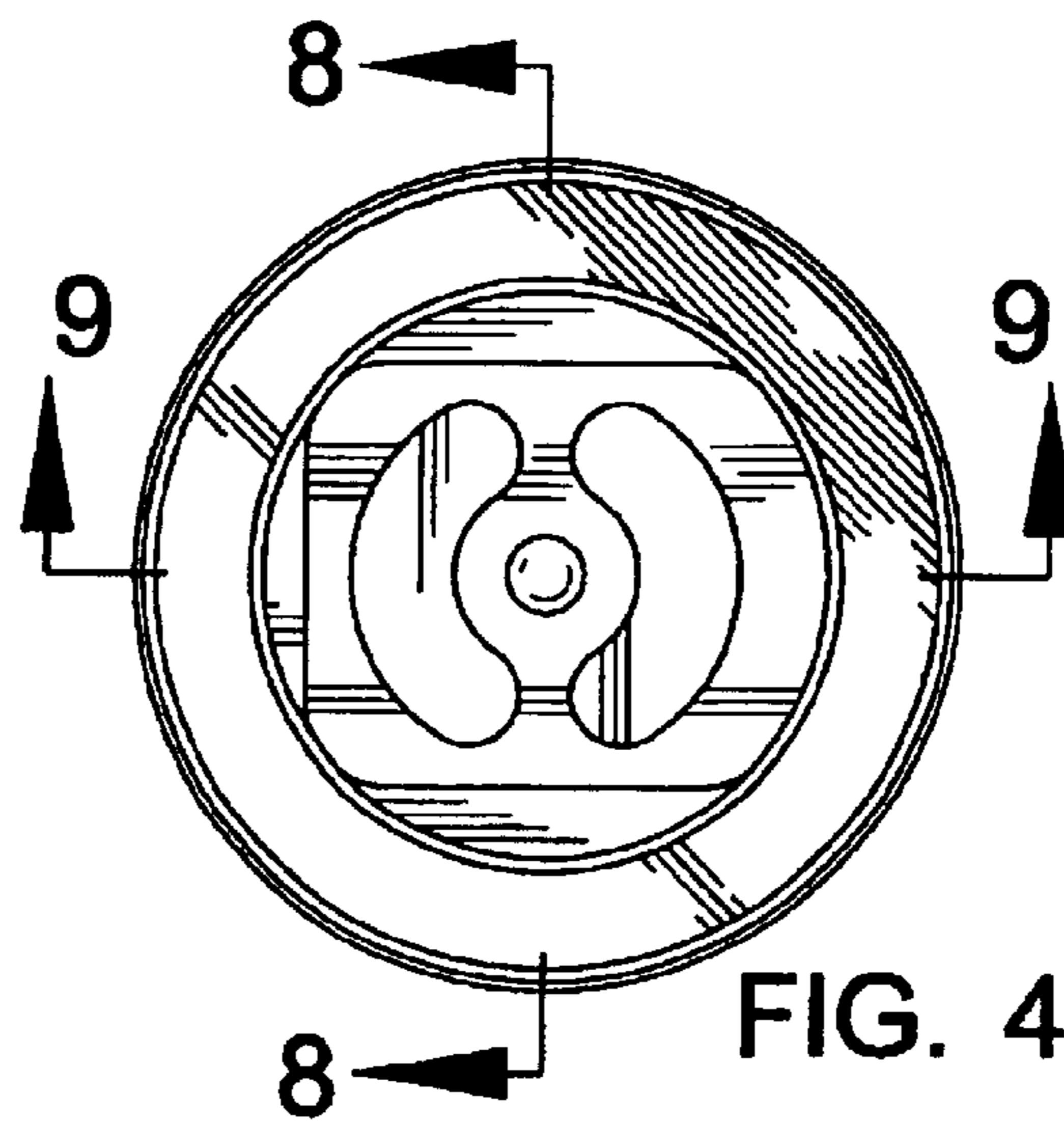


FIG. 4

FIG. 5

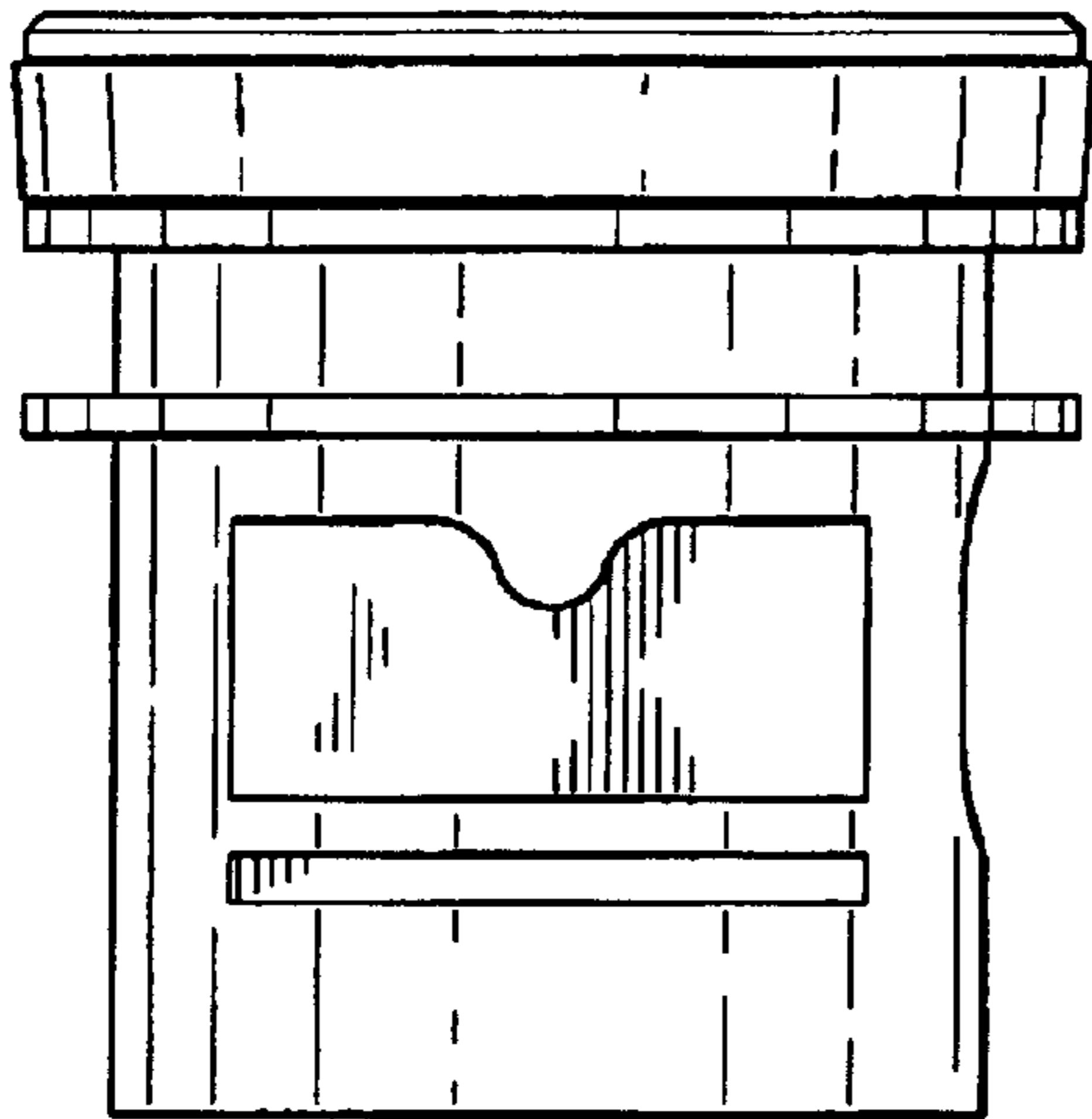
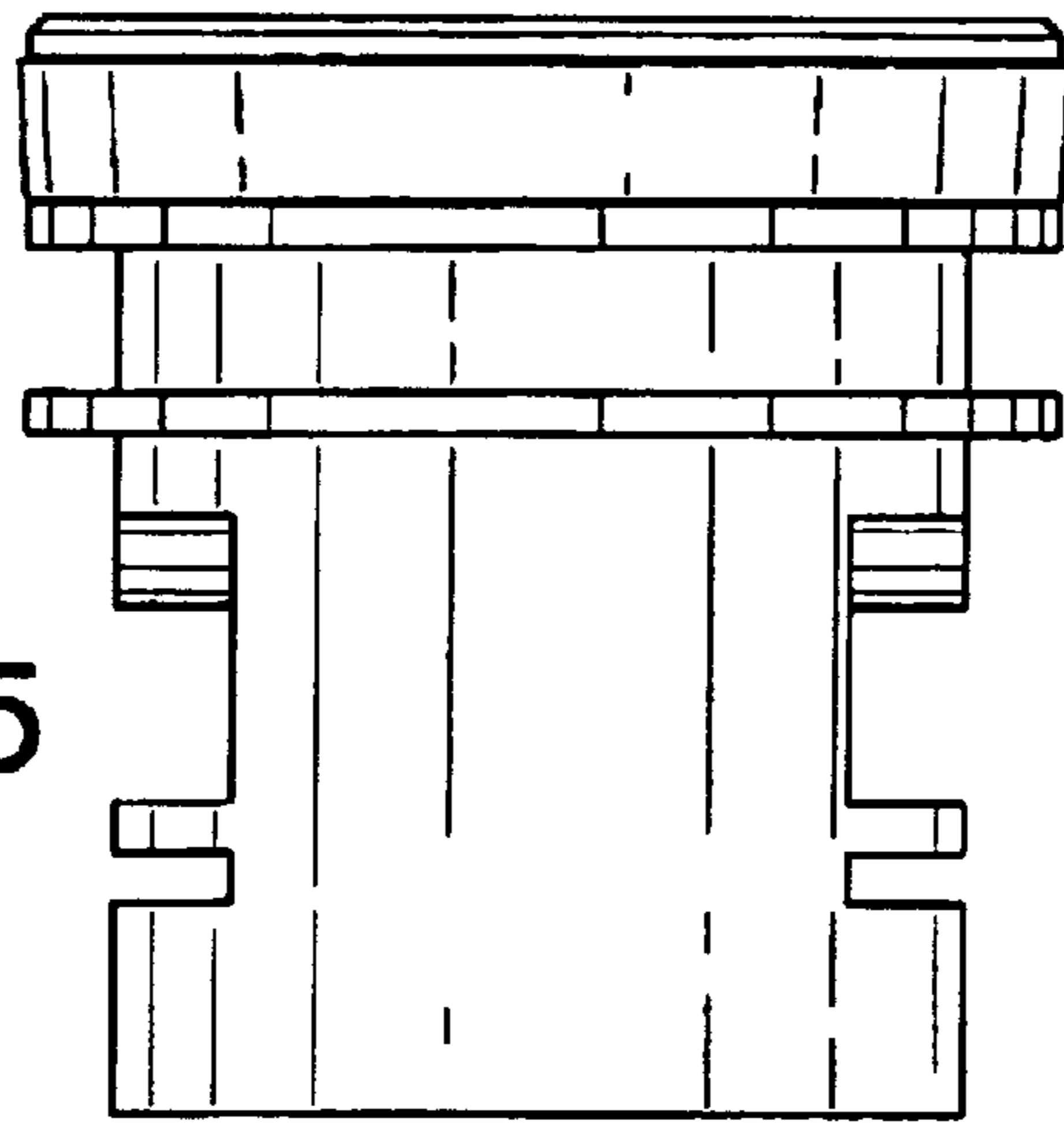


FIG. 6

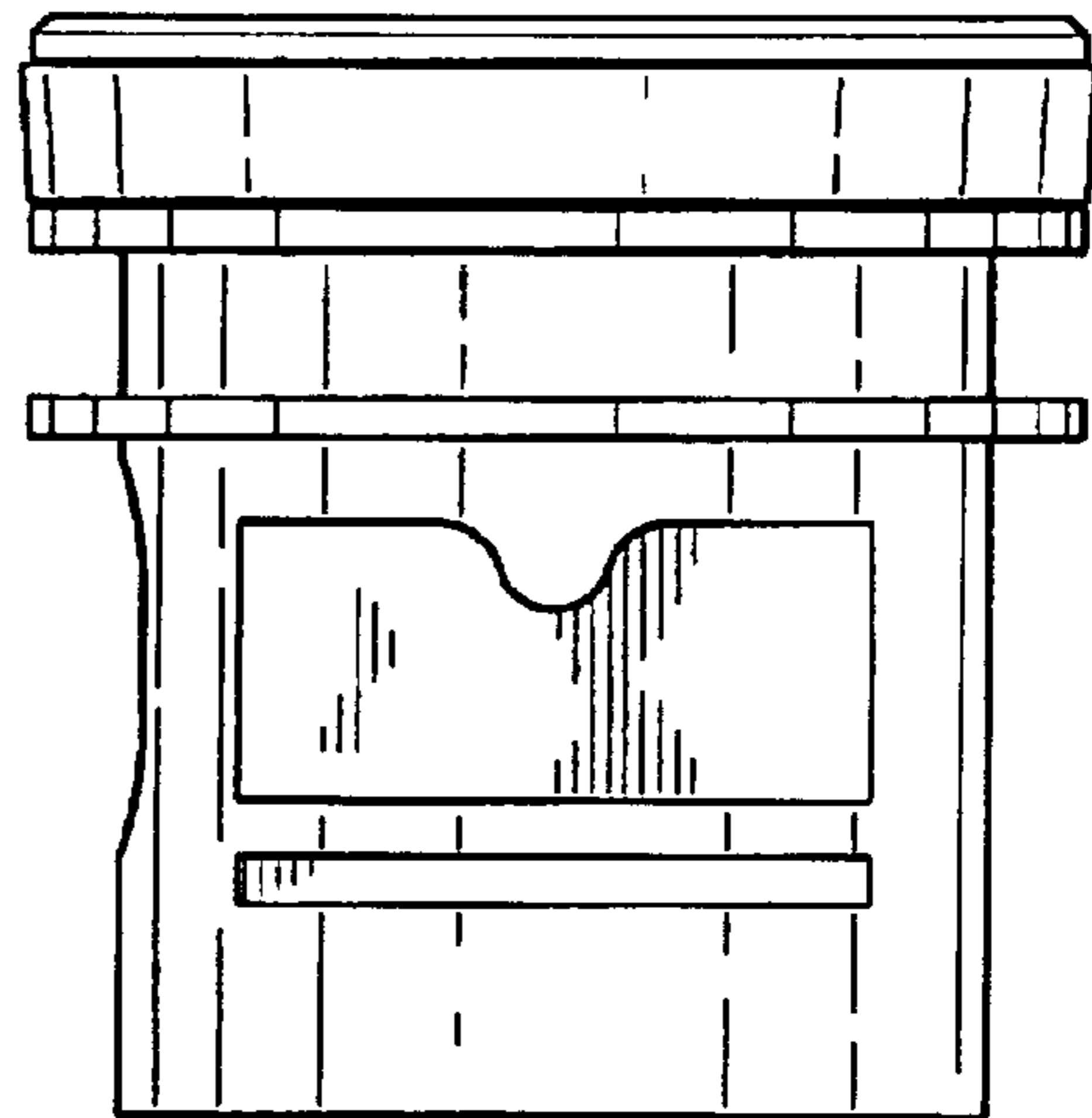


FIG. 7

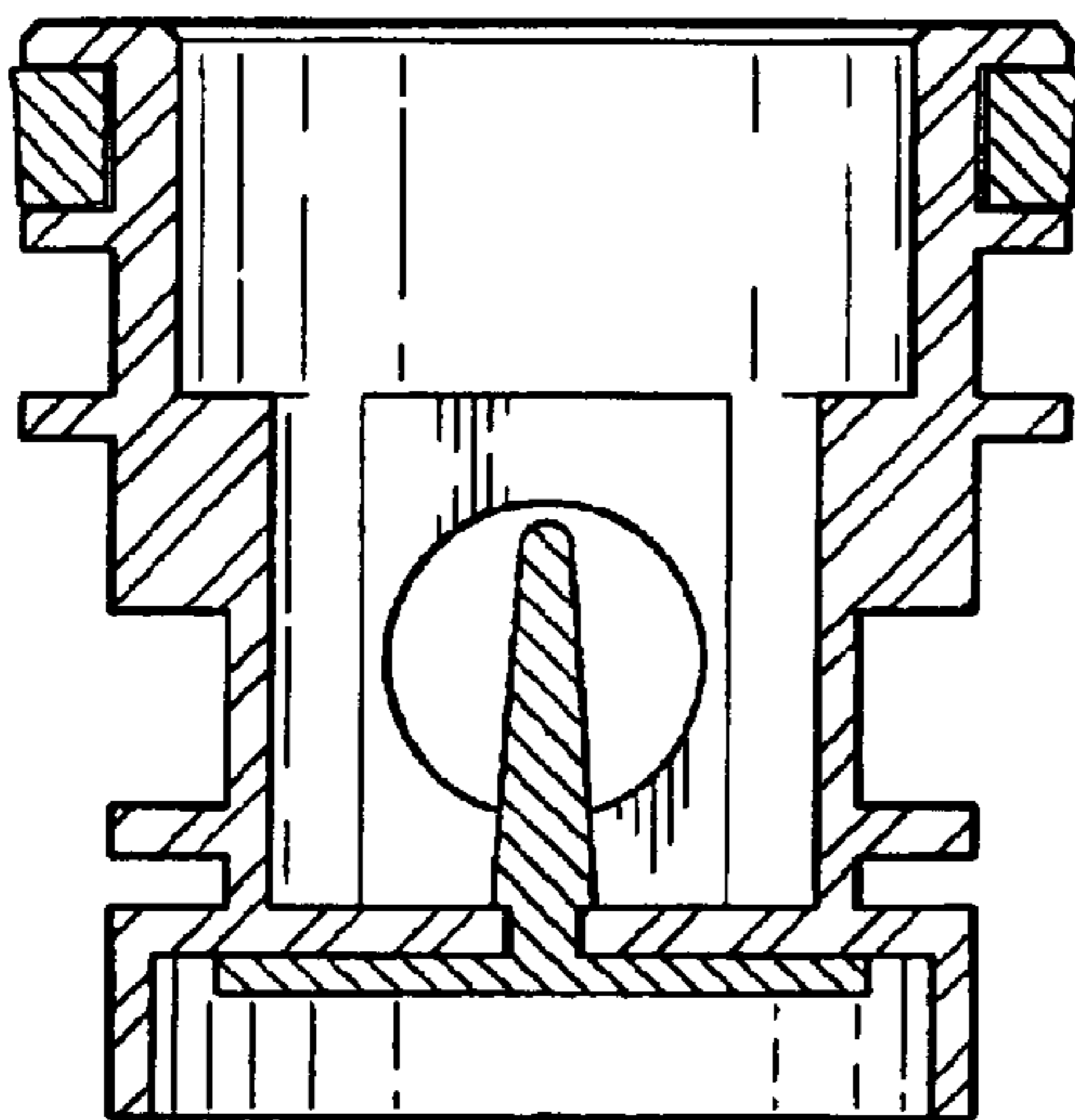


FIG. 8

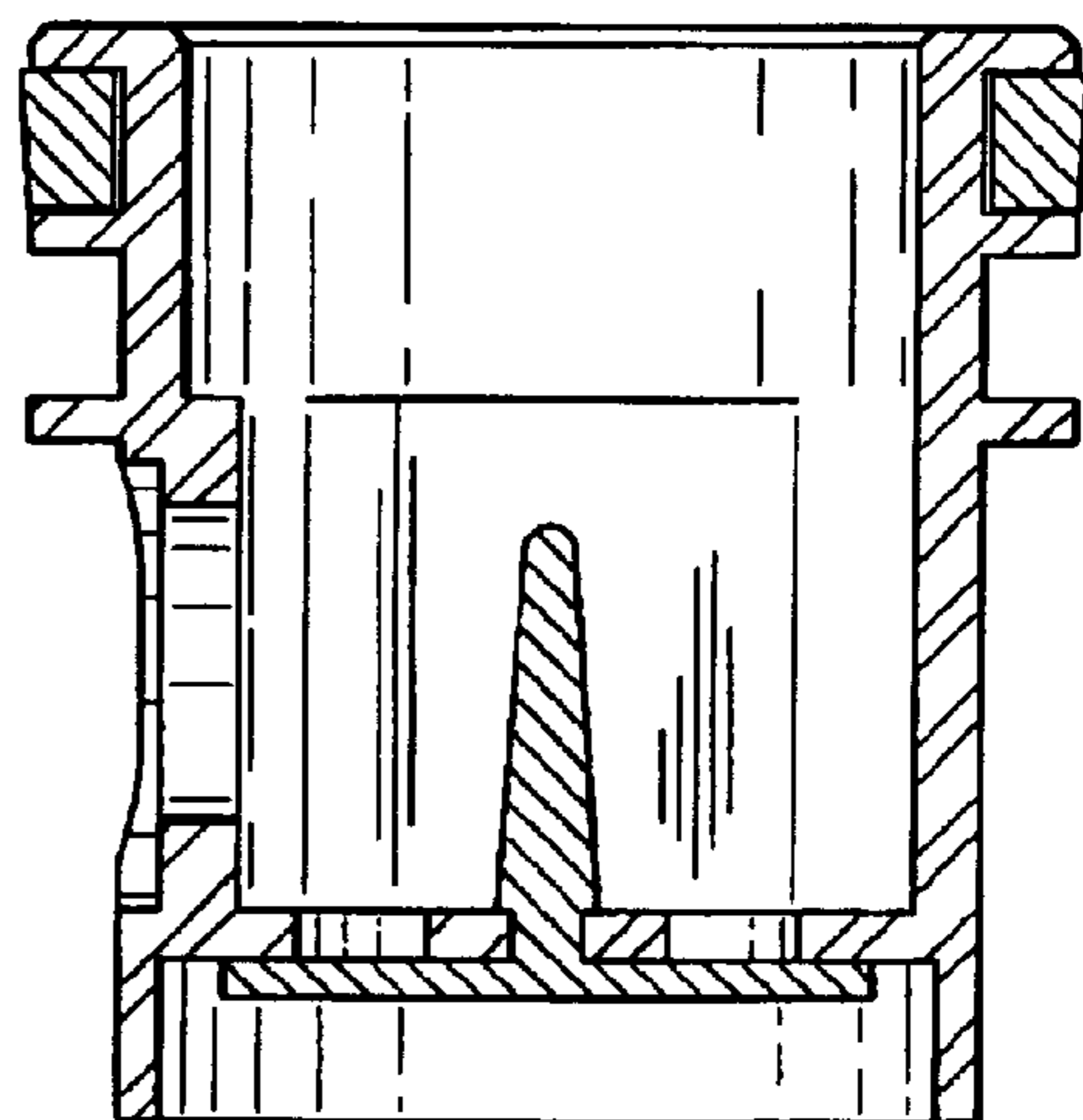


FIG. 9