



US00D515589S

(12) **United States Design Patent**  
**Lin et al.**

(10) **Patent No.:** **US D515,589 S**  
(45) **Date of Patent:** **\*\* Feb. 21, 2006**

(54) **INTERNAL COMBUSTION ENGINE**

D396,476 S \* 7/1998 Shimizu ..... D15/1  
D474,783 S \* 5/2003 Momoi ..... D15/1  
D488,167 S \* 4/2004 Momoi ..... D15/1

(75) Inventors: **Tsang-Mao Lin**, Kaohsiung (TW);  
**San-Chi Lee**, Kaohsiung (TW)

\* cited by examiner

(73) Assignee: **Kwang Yang Motor Co., Ltd.**,  
Kaohsiung (TW)

*Primary Examiner*—Caron D. Veynar  
*Assistant Examiner*—Maurice Stevens

(\*\*) Term: **14 Years**

(74) *Attorney, Agent, or Firm*—Rosenberg, Klein & Lee

(21) Appl. No.: **29/202,423**

(57) **CLAIM**

(22) Filed: **Mar. 31, 2004**

We claim, the ornamental design for an internal combustion engine, as shown and described.

(51) **LOC (8) Cl.** ..... **15-01**

**DESCRIPTION**

(52) **U.S. Cl.** ..... **D15/1**

(58) **Field of Classification Search** ..... D15/1,  
D15/3

See application file for complete search history.

FIG. 1 is a perspective view of an internal combustion engine showing our present design;  
FIG. 2 is a front view thereof;  
FIG. 3 is a rear view thereof;  
FIG. 4 is a left view thereof;  
FIG. 5 is a right view thereof;  
FIG. 6 is a top plan view thereof; and,  
FIG. 7 is a bottom plan view.

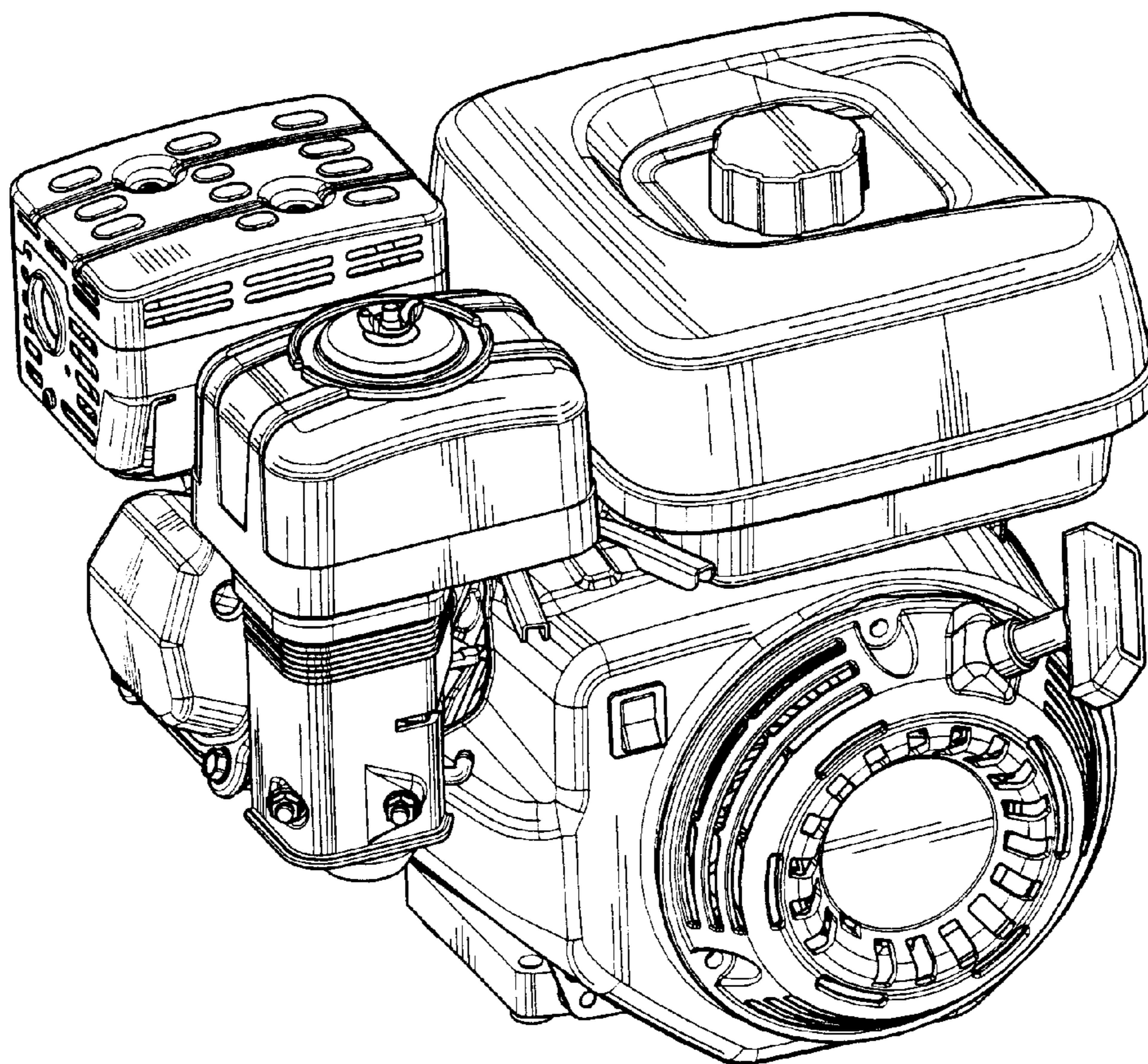
(56) **References Cited**

**U.S. PATENT DOCUMENTS**

D293,114 S \* 12/1987 Brogdon ..... D15/1  
D294,832 S \* 3/1988 Itou et al. .... D15/1  
D307,147 S \* 4/1990 Sasaki et al. .... D15/1  
D307,148 S \* 4/1990 Mikado ..... D15/1  
D353,381 S \* 12/1994 Yoshida et al. .... D15/1  
D367,070 S \* 2/1996 Maeda et al. .... D15/1  
D396,045 S \* 7/1998 Neeley ..... D15/1

The broken lines in FIG. 7 are included for the purpose of illustrating a portion of the internal combustion engine that forms no part of the claimed design.

**1 Claim, 7 Drawing Sheets**



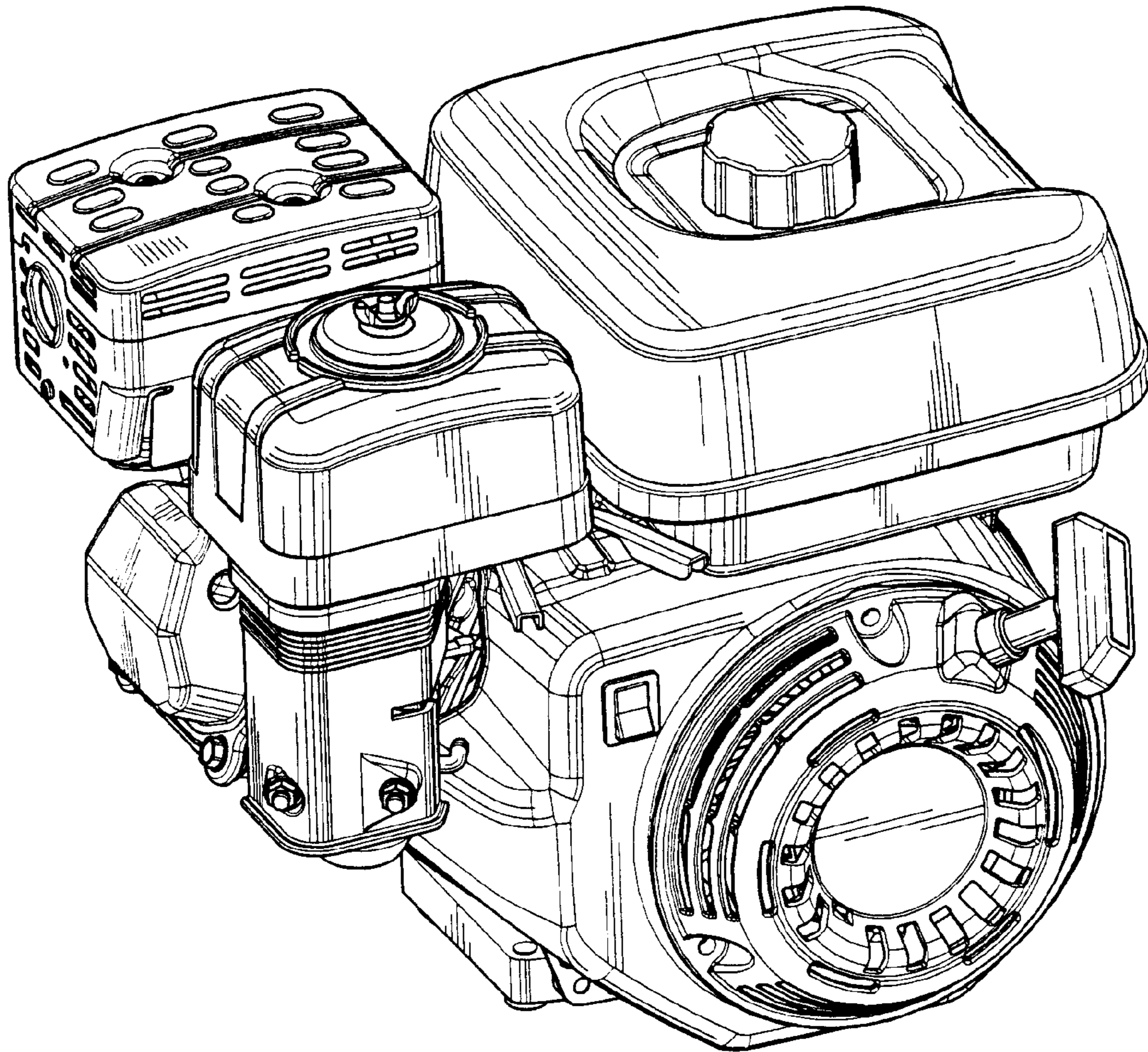


FIG. 1

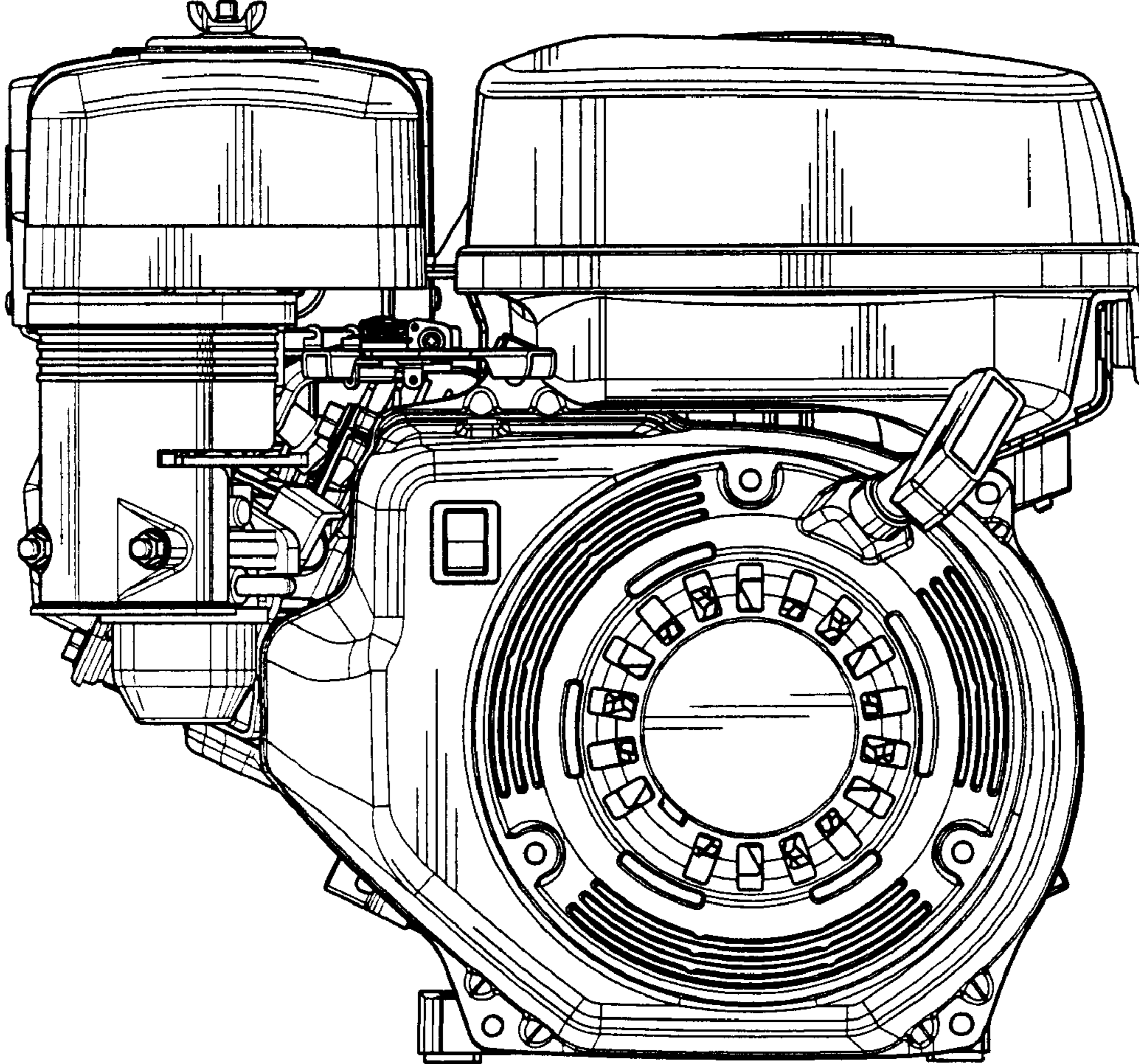


FIG. 2

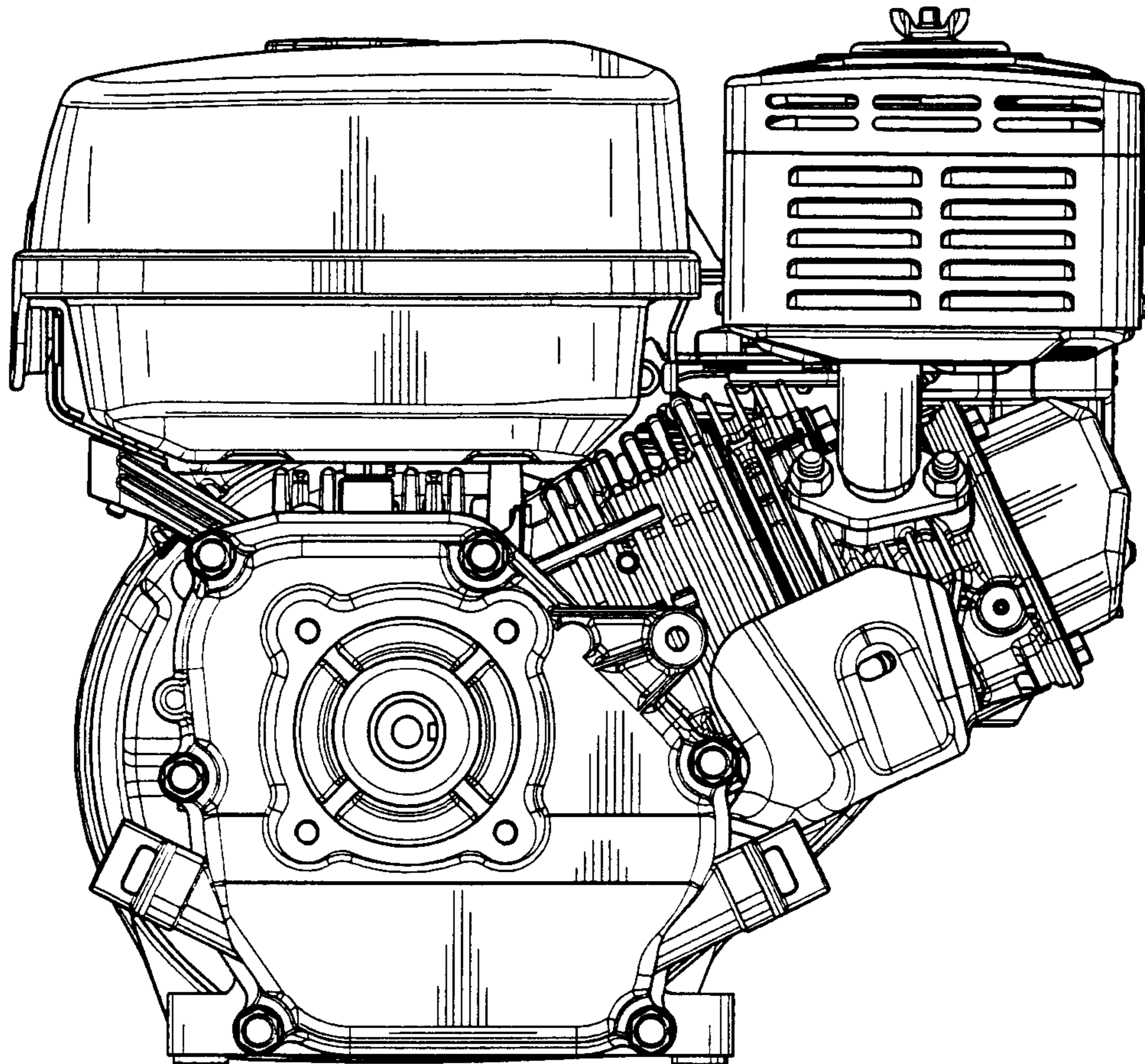


FIG. 3

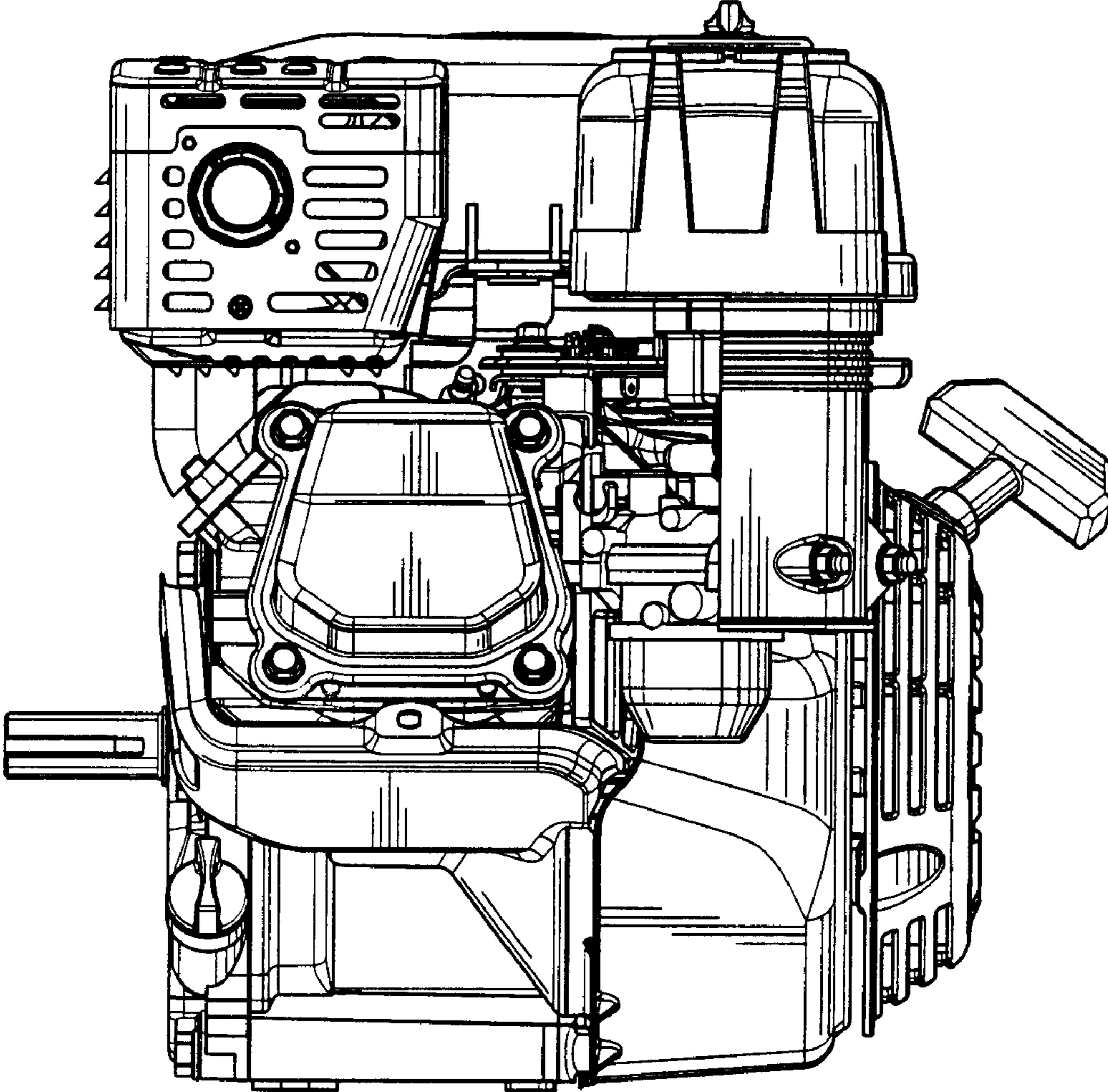


FIG. 4

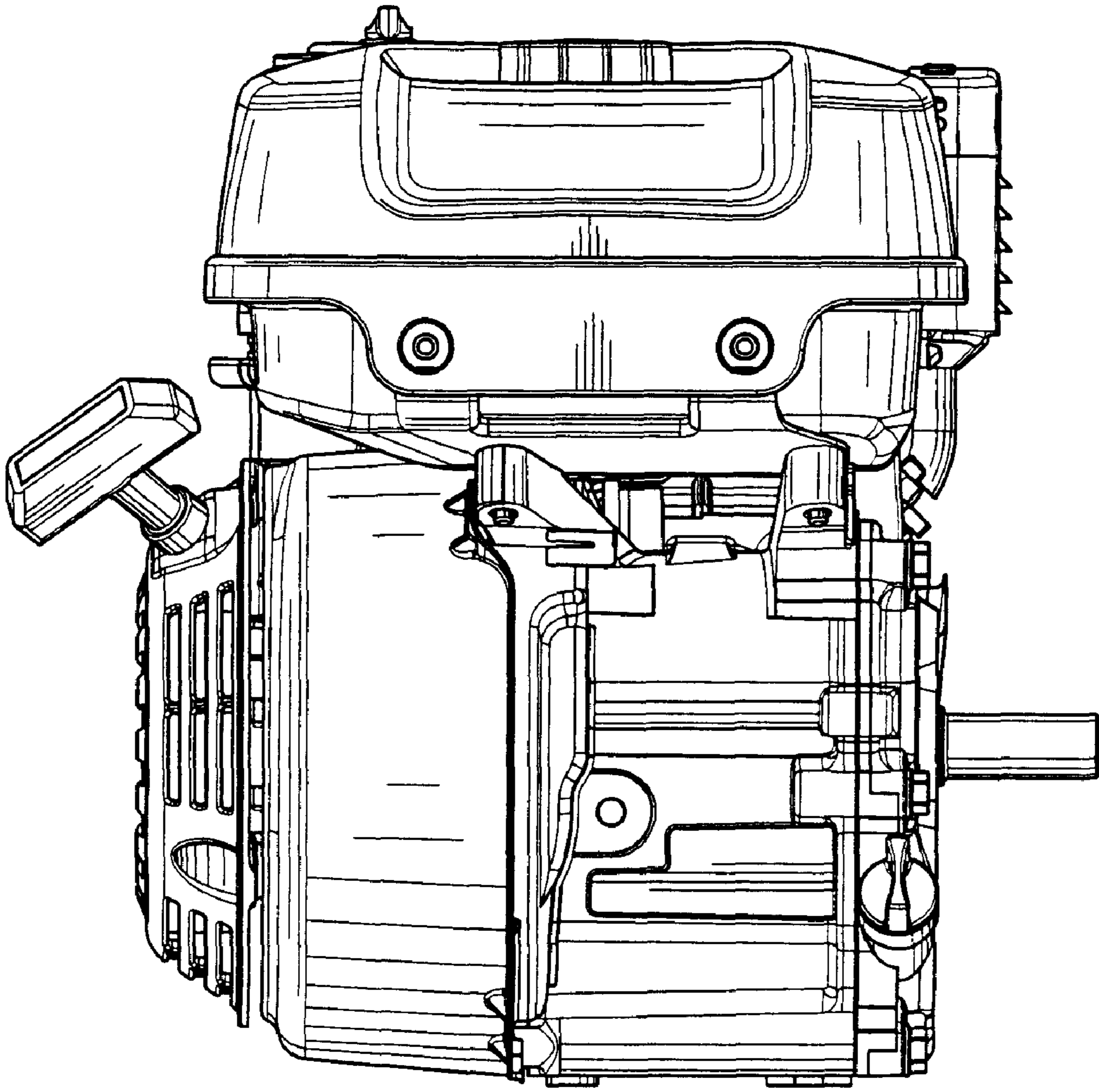


FIG. 5

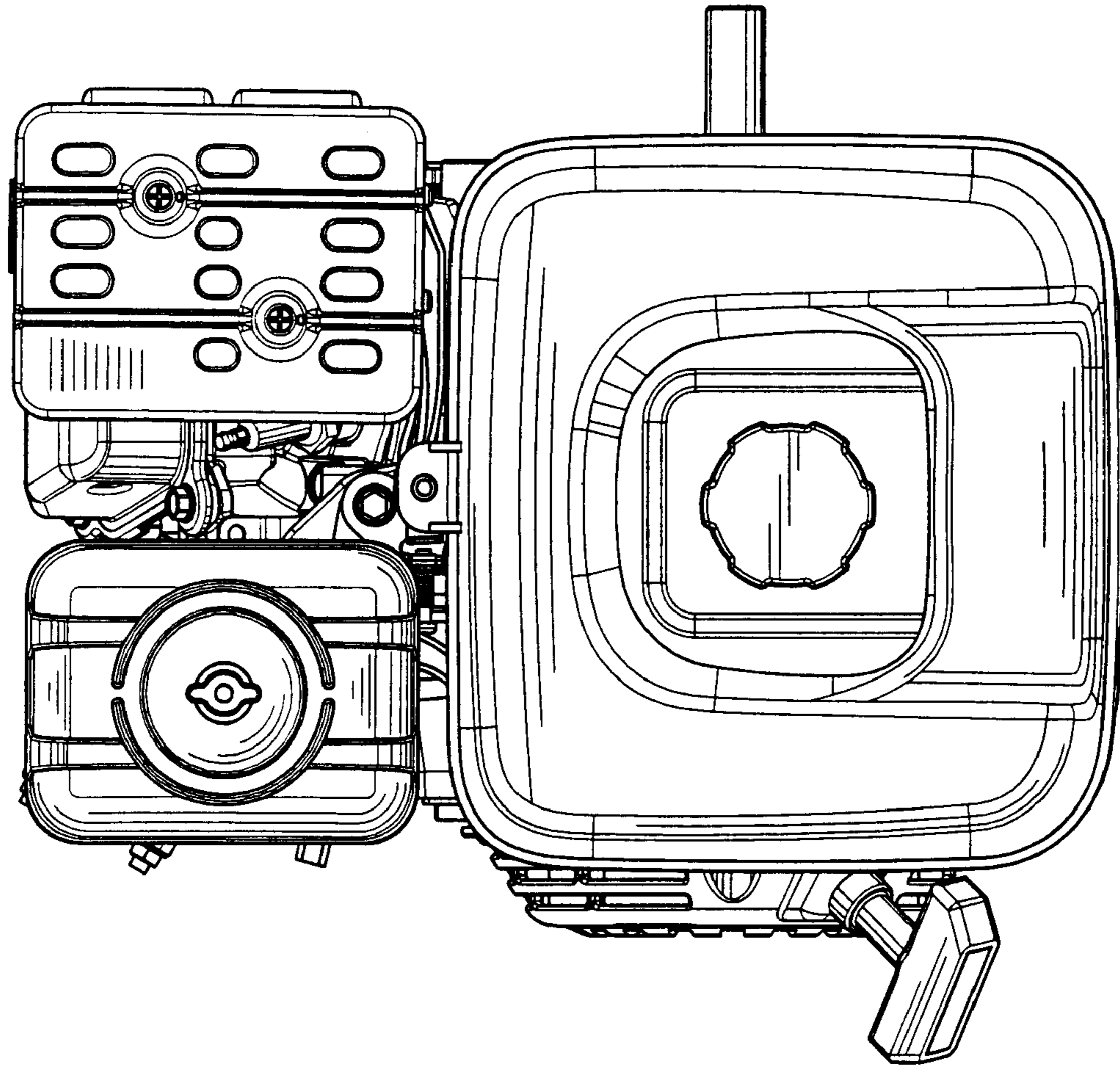


FIG. 6

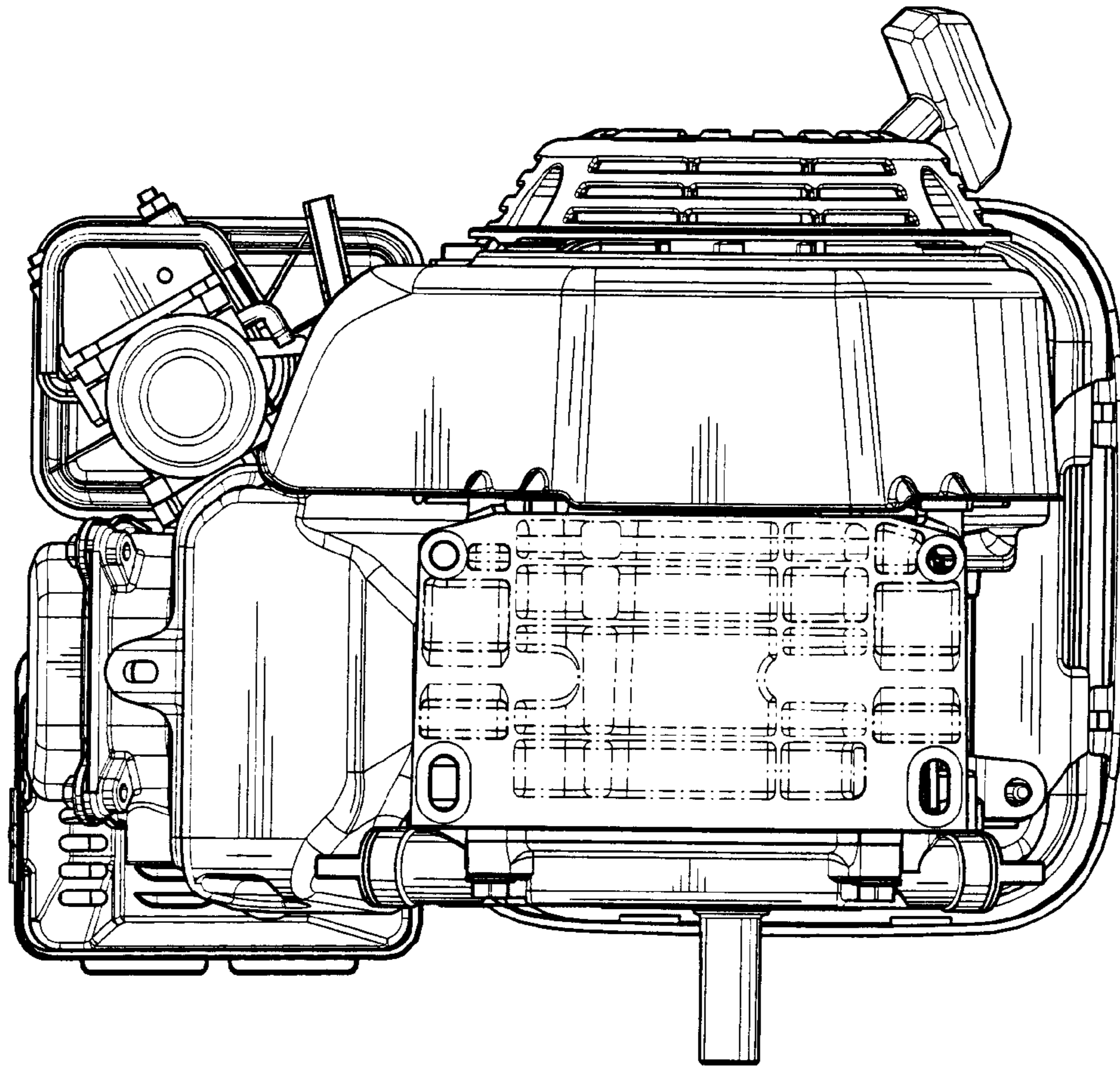


FIG. 7