



US00D515588S

(12) **United States Design Patent**
Kirkwood

(10) **Patent No.: US D515,588 S**

(45) **Date of Patent: ** Feb. 21, 2006**

- (54) **EASY ACCESS WRAP AROUND PADDED COVER WITH HOOK-AND-LOOP FASTENER FOR LAPTOP COMPUTER**
 - (76) Inventor: **Debora D. Kirkwood**, 7126 Beech Ave., Orangevale, CA (US) 95662
 - (**) Term: **14 Years**
 - (21) Appl. No.: **29/218,632**
 - (22) Filed: **Dec. 6, 2004**
 - (51) **LOC (8) Cl. 14-02**
 - (52) **U.S. Cl. D14/440**
 - (58) **Field of Classification Search** 206/320, 206/305, 701, 709, 721, 216, 722, 724, 472, 206/477, 494, 521.2, 523, 592, 594, 522, 206/591, 576, 45.2, 45.23, 762, 434, 424, 206/1.7; D3/273, 226, 227, 230, 900, 294, D3/11, 303, 299, 290, 289; 190/1, 102, 900, 190/107; 383/4, 11, 104, 110, 98; D14/440, D14/315, 439; D9/432-33; D19/26, 86, 91, D19/27, 3; 229/103.2-103.3, 122.3, 222, 229/231, 141, 132; 493/51, 162; 224/642, 224/644, 655, 218, 663; 235/1 D
- See application file for complete search history.

- D365,206 S * 12/1995 Goodman D3/273
- 5,524,754 A 6/1996 Hollingsworth
- 5,564,570 A * 10/1996 Jaszai 206/523
- 5,607,054 A * 3/1997 Hollingsworth 206/320
- 5,624,035 A * 4/1997 Kim 206/522
- D382,260 S 8/1997 Smith
- D392,263 S 3/1998 Carlson et al.
- 5,775,497 A * 7/1998 Krulik 206/320
- D398,914 S 9/1998 Pulver
- 5,819,942 A * 10/1998 Sadow 206/522
- D404,759 S * 1/1999 Larragain D19/3
- 5,971,148 A * 10/1999 Jackson 206/320
- 6,131,734 A * 10/2000 Hollingsworth et al. 206/320
- D439,742 S * 4/2001 Fujino et al. D3/290
- 6,237,766 B1 5/2001 Hollingsworth
- 6,307,741 B1 * 10/2001 Karidis et al. 361/683
- 6,375,009 B1 * 4/2002 Lee 206/522
- D462,518 S * 9/2002 Truffier-Blanc et al. D3/273
- 6,604,618 B1 * 8/2003 Godshaw et al. 190/107

* cited by examiner

Primary Examiner—Alan P. Douglas
Assistant Examiner—Susan Moon Lee
(74) *Attorney, Agent, or Firm*—Donald R. Schoonover

(57) **CLAIM**

I claim the ornamental design for an easy access wrap around padded cover with hook-and-loop fastener for laptop computer, as shown and described.

DESCRIPTION

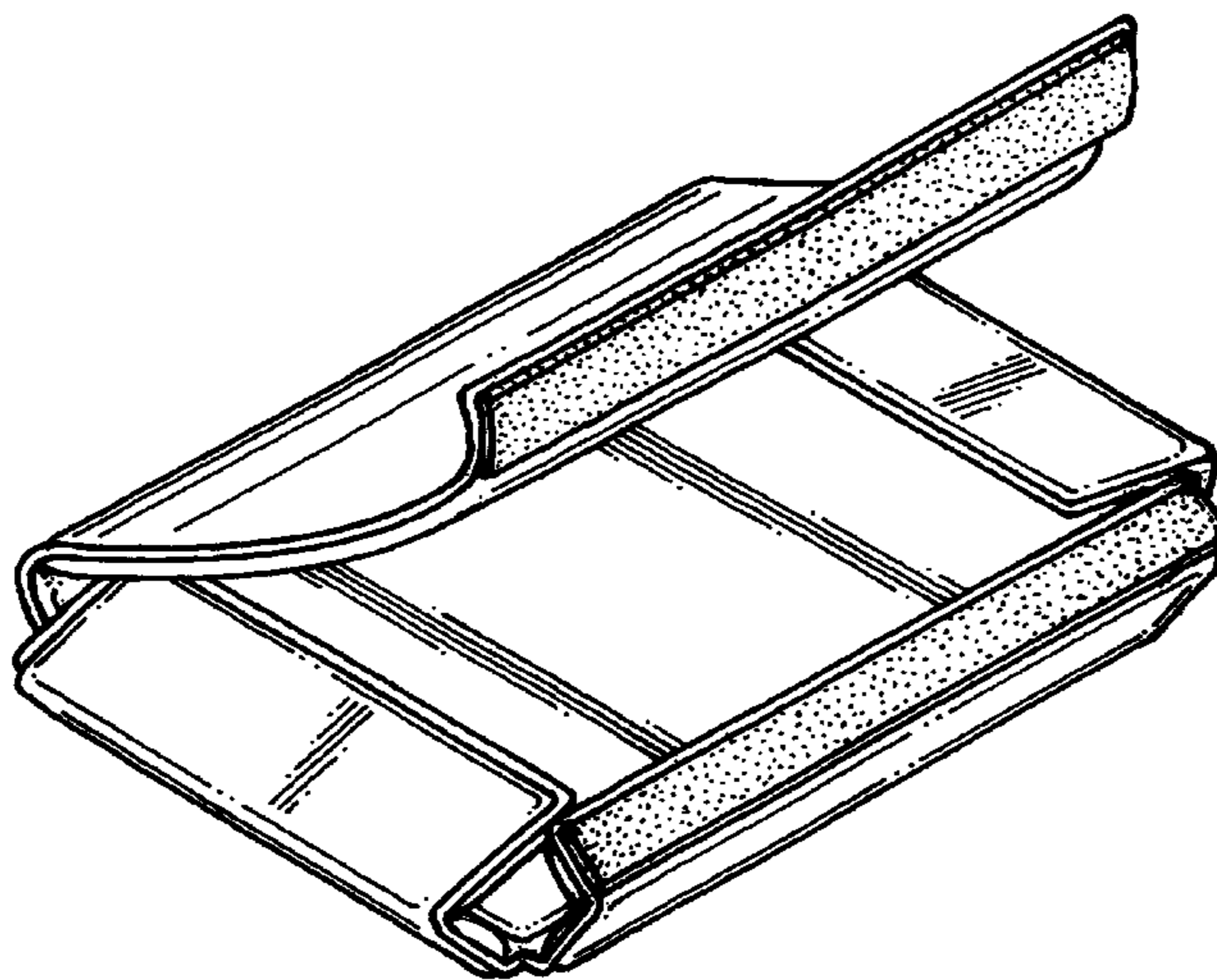
FIG. 1 is a perspective view of an easy access wrap around padded cover with hook-and-loop fastener for laptop computer showing my new design partially closed, all other views showing my new design opened;
FIG. 2 is a top plan view thereof;
FIG. 3 is a bottom plan view thereof;
FIG. 4 is a side elevational view thereof, the elevational view of the opposing side being a mirror image thereof;
FIG. 5 is an end elevational view thereof; and,
FIG. 6 is an elevational view of the opposing end thereof.

1 Claim, 4 Drawing Sheets

(56) **References Cited**

U.S. PATENT DOCUMENTS

- 2,011,703 A * 8/1935 Barker 206/424
- 3,198,420 A * 8/1965 Hiersteiner 229/67.3
- 3,381,889 A * 5/1968 Laskow 229/87.19
- 3,552,640 A * 1/1971 Young 229/67.3
- RE30,163 E * 12/1979 Meyer et al. 206/424
- 4,750,609 A * 6/1988 Felis 206/1.7
- 4,773,534 A * 9/1988 DeHeras et al. 206/709
- 5,002,184 A * 3/1991 Lloyd 206/305
- D322,456 S * 12/1991 Forbes, Jr. D19/3
- 5,105,338 A * 4/1992 Held 361/683
- 5,217,119 A 6/1993 Hollingsworth
- 5,377,794 A * 1/1995 Book 190/1
- 5,445,266 A * 8/1995 Prete et al. 206/320
- 5,467,853 A * 11/1995 Pelletier 190/11



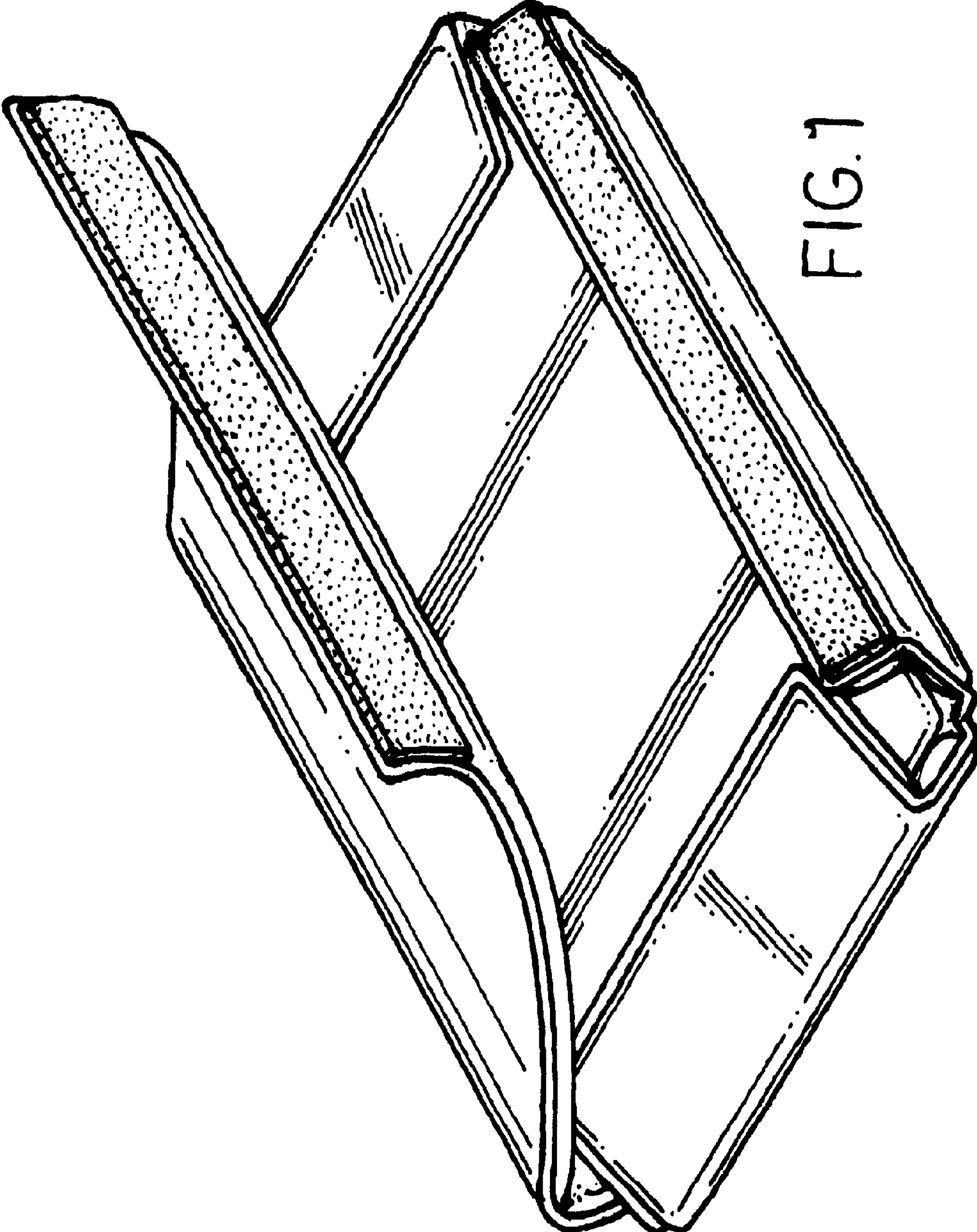


FIG. 7

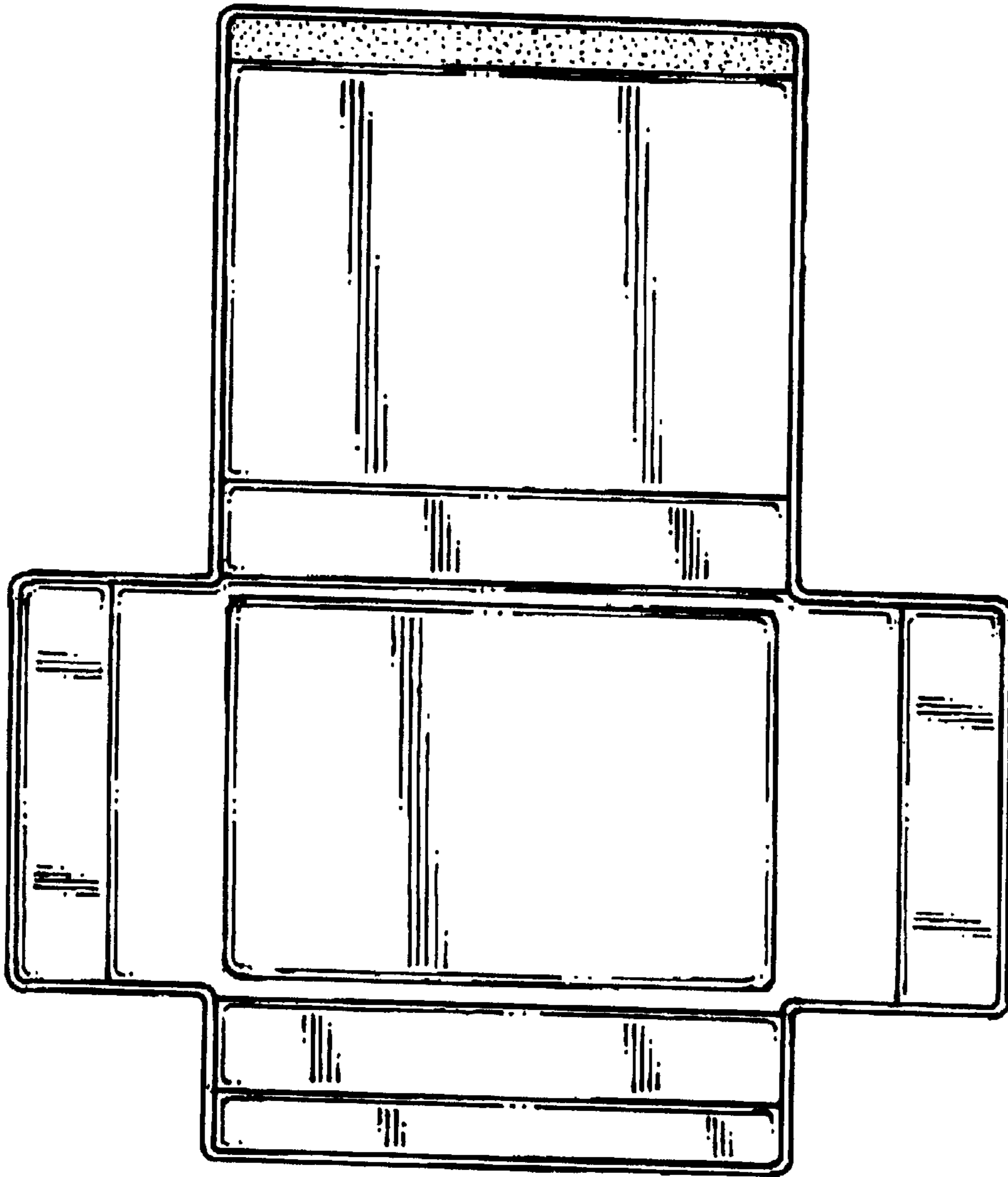
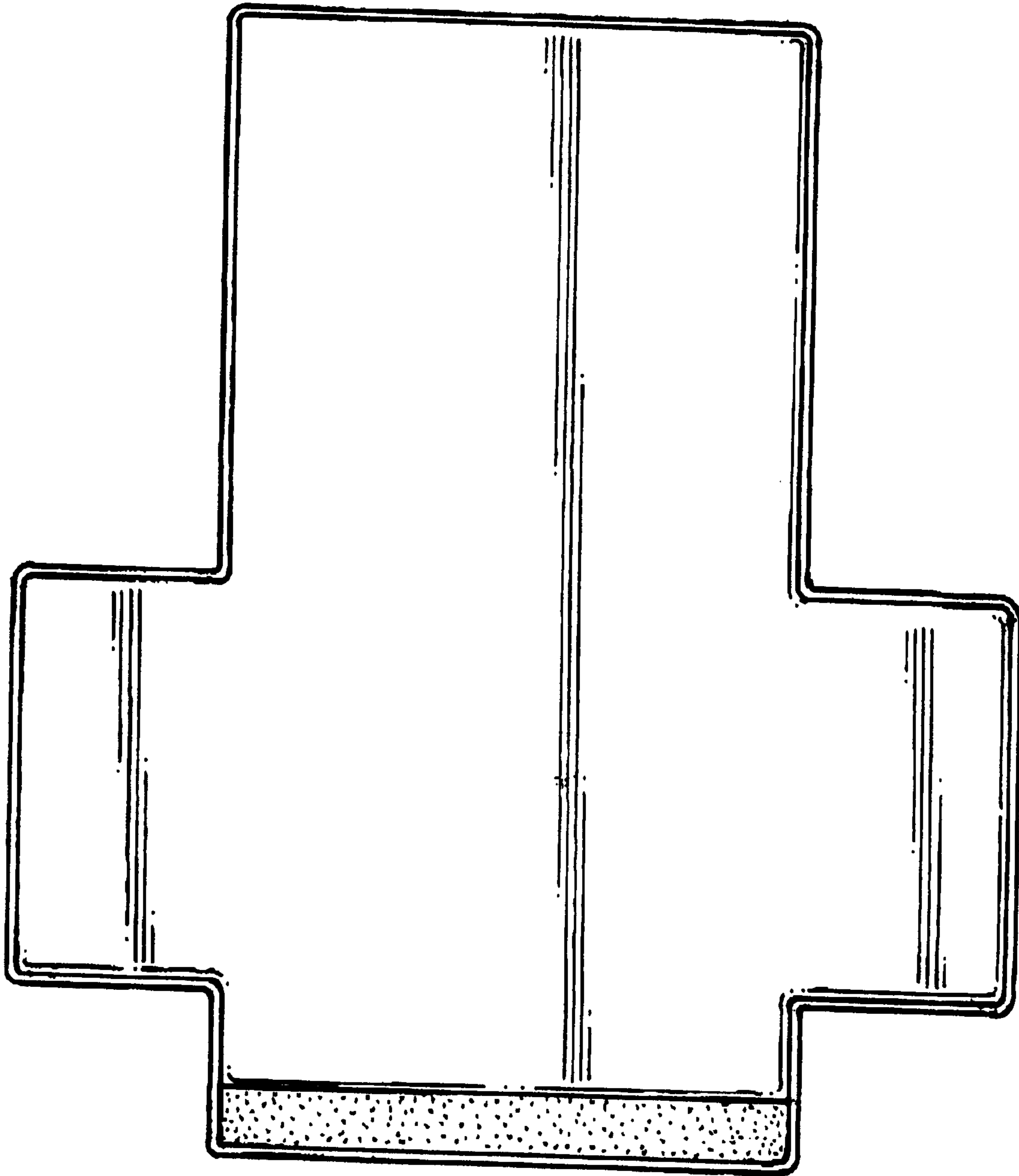


FIG. 2



FIG. 4

FIG. 3



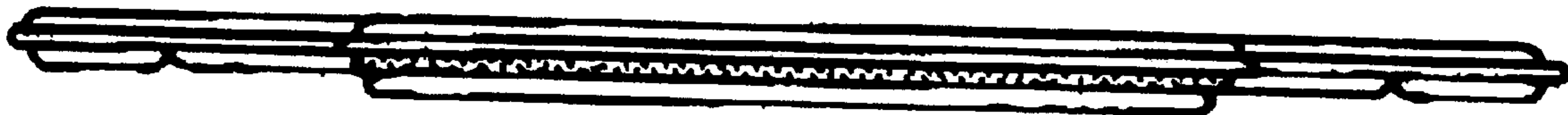


FIG. 5

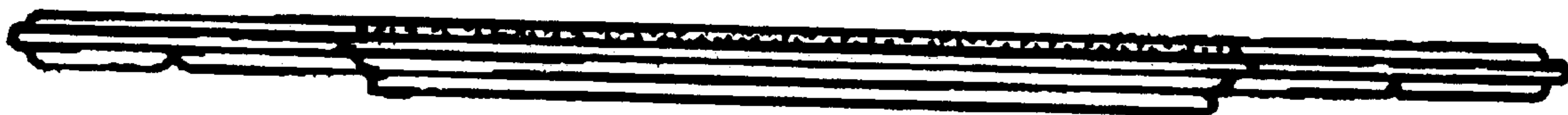


FIG. 6