



US00D515575S

(12) **United States Design Patent**
Dong et al.

(10) **Patent No.:** **US D515,575 S**
(45) **Date of Patent:** **** Feb. 21, 2006**

(54) **CARD READER**

(75) Inventors: **Jian-Pei Dong**, Shenzhen (CN);
Chun-Chi Liang, Tu-Chen (TW);
Yun-Dong Xu, Shenzhen (CN); **Rong He**, Shenzhen (CN)

(73) Assignee: **Hon Hai Precision Ind. Co., Ltd.**,
Taipei Hsien (TW)

(**) Term: **14 Years**

(21) Appl. No.: **29/212,447**

(22) Filed: **Aug. 31, 2004**

(30) **Foreign Application Priority Data**

May 21, 2004 (CN) 200430041539

(51) **LOC (8) Cl.** **14-02**

(52) **U.S. Cl.** **D14/385**

(58) **Field of Classification Search** D14/383,
D14/385; 355/64, 65, 75, 81; 250/556; 235/380,
235/382, 382.5

See application file for complete search history.

(56) **References Cited**

U.S. PATENT DOCUMENTS

D286,049 S * 10/1986 Nishida D14/385

D305,116 S * 12/1989 Schmidt D14/385
D393,835 S * 4/1998 Ohki et al. D14/385
D426,237 S * 6/2000 Wranne D14/385
D477,321 S * 7/2003 Baughman D14/385

* cited by examiner

Primary Examiner—Freda S. Nunn

(74) *Attorney, Agent, or Firm*—Wei Te Chung

(57) **CLAIM**

The ornamental design for a card reader, as shown and described.

DESCRIPTION

FIG. 1 is a perspective view of a card reader of our new design;

FIG. 2 is a front elevational view thereof;

FIG. 3 is a rear elevational view thereof;

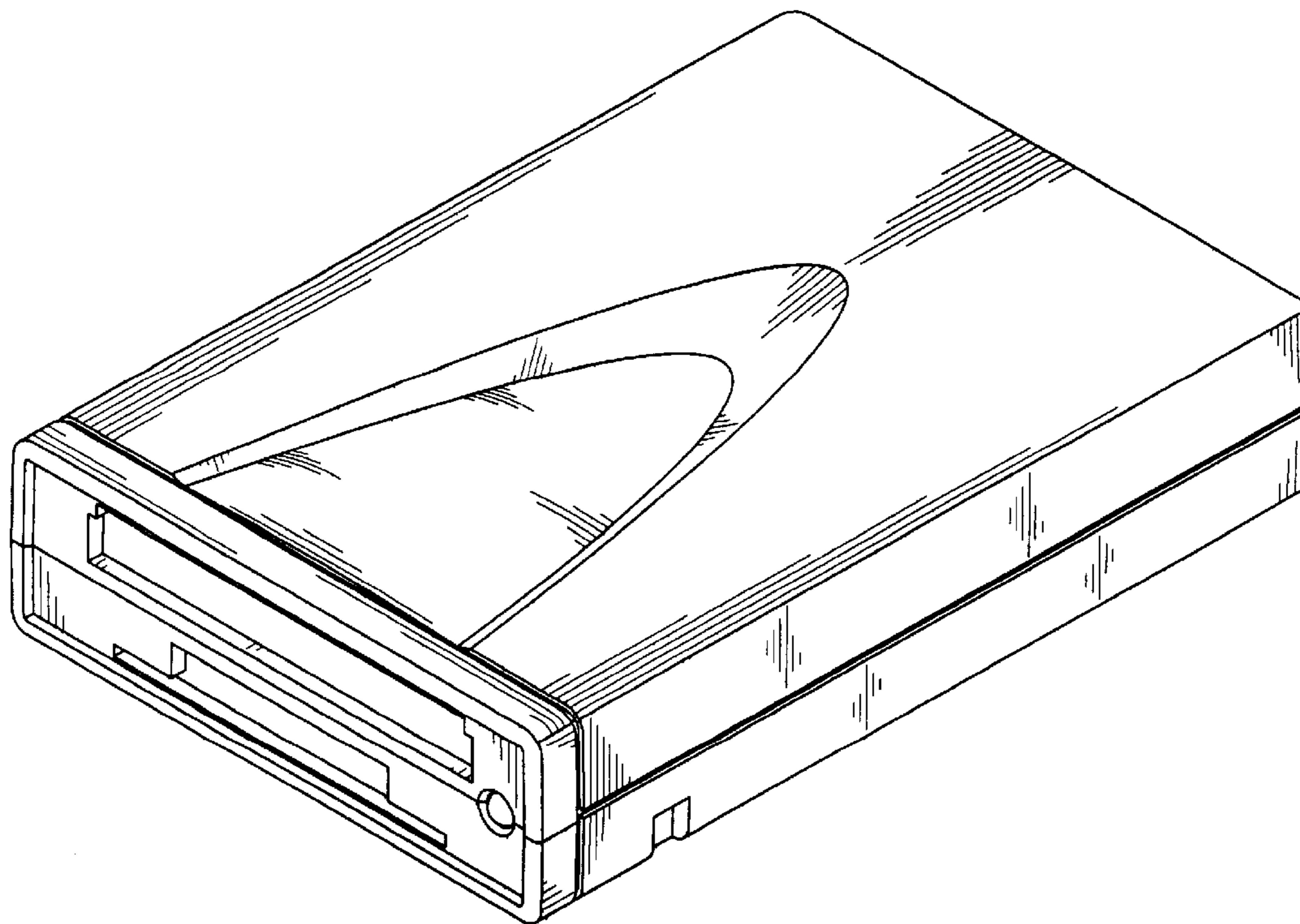
FIG. 4 is a left side elevational view thereof;

FIG. 5 is a right side elevational view thereof;

FIG. 6 is a top plan view thereof; and,

FIG. 7 is a bottom plan view thereof.

1 Claim, 5 Drawing Sheets



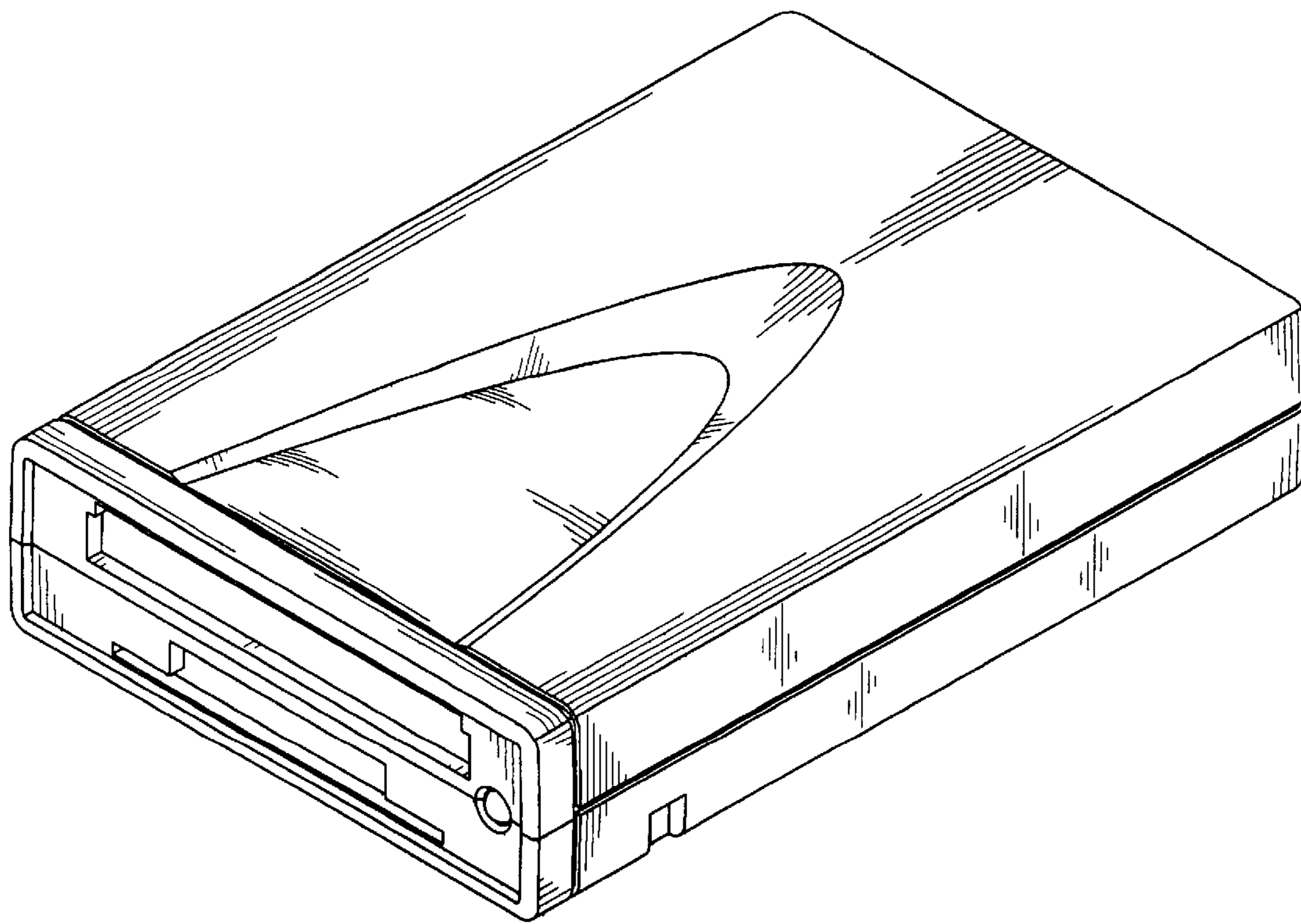


FIG. 1

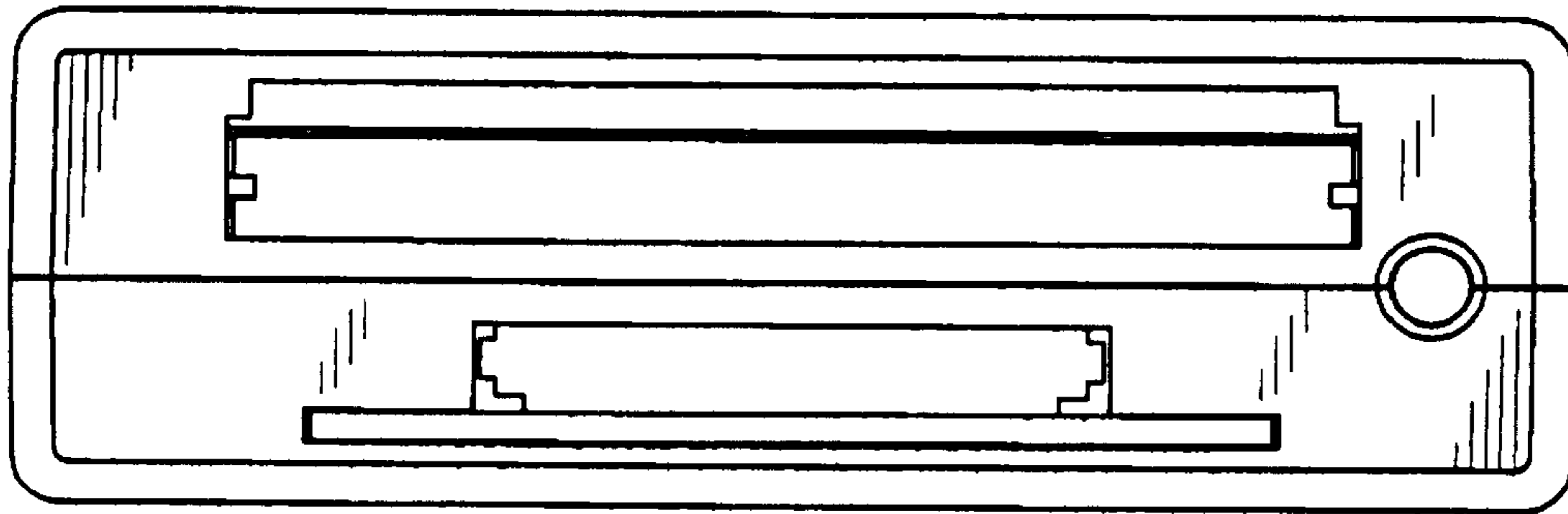


FIG. 2

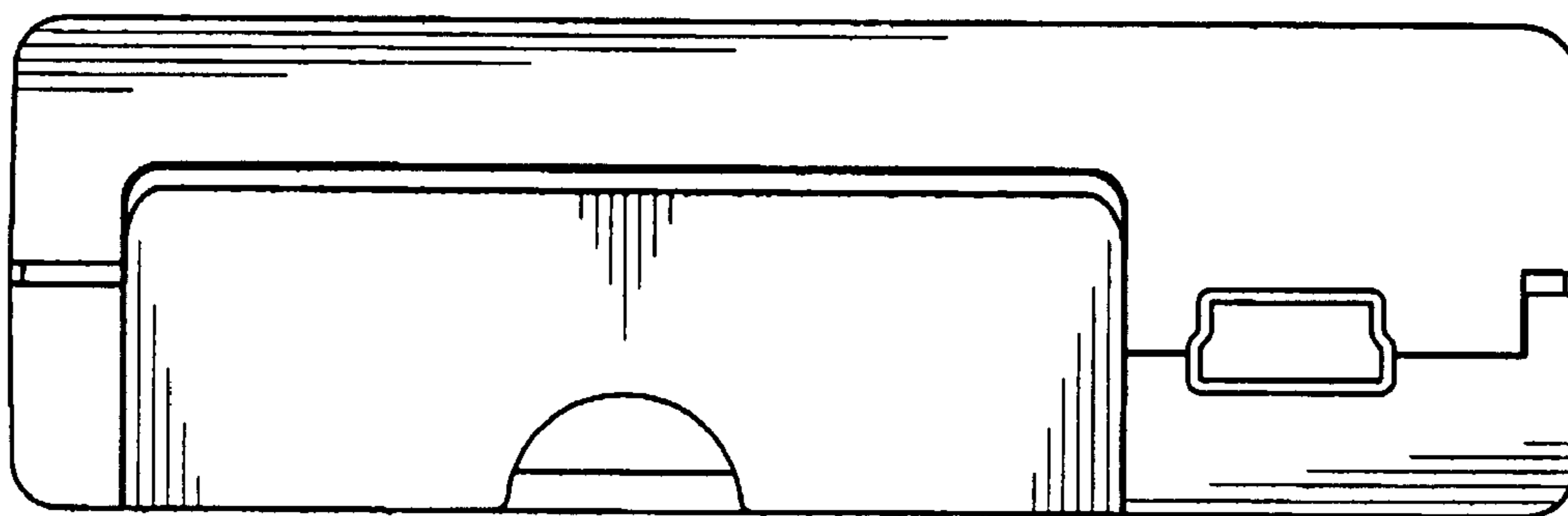


FIG. 3

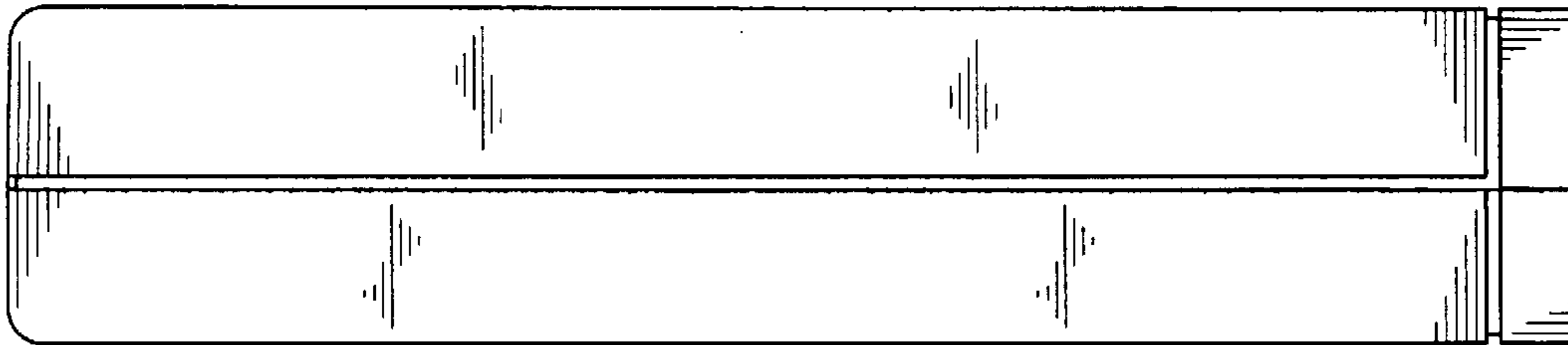


FIG. 4

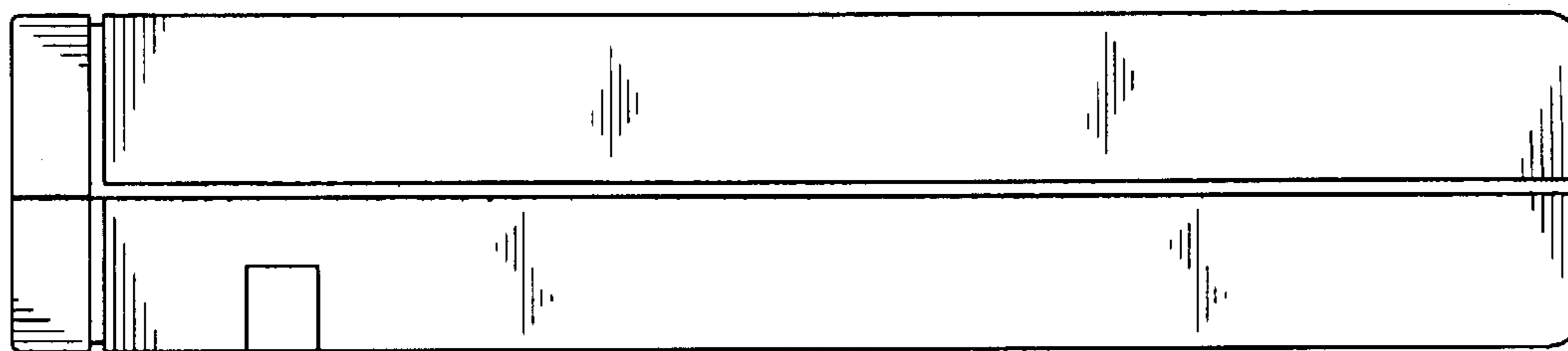


FIG. 5

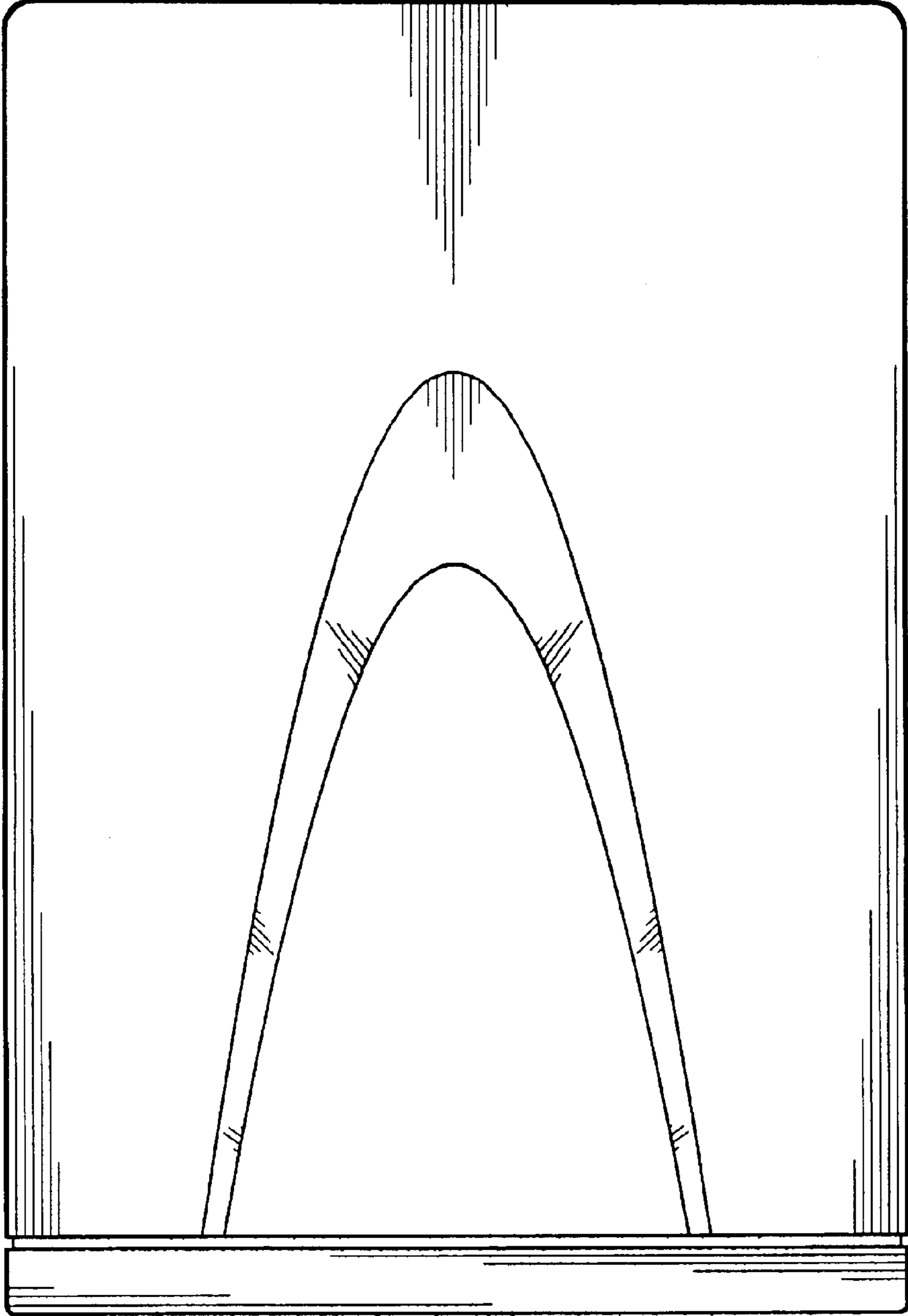


FIG. 6

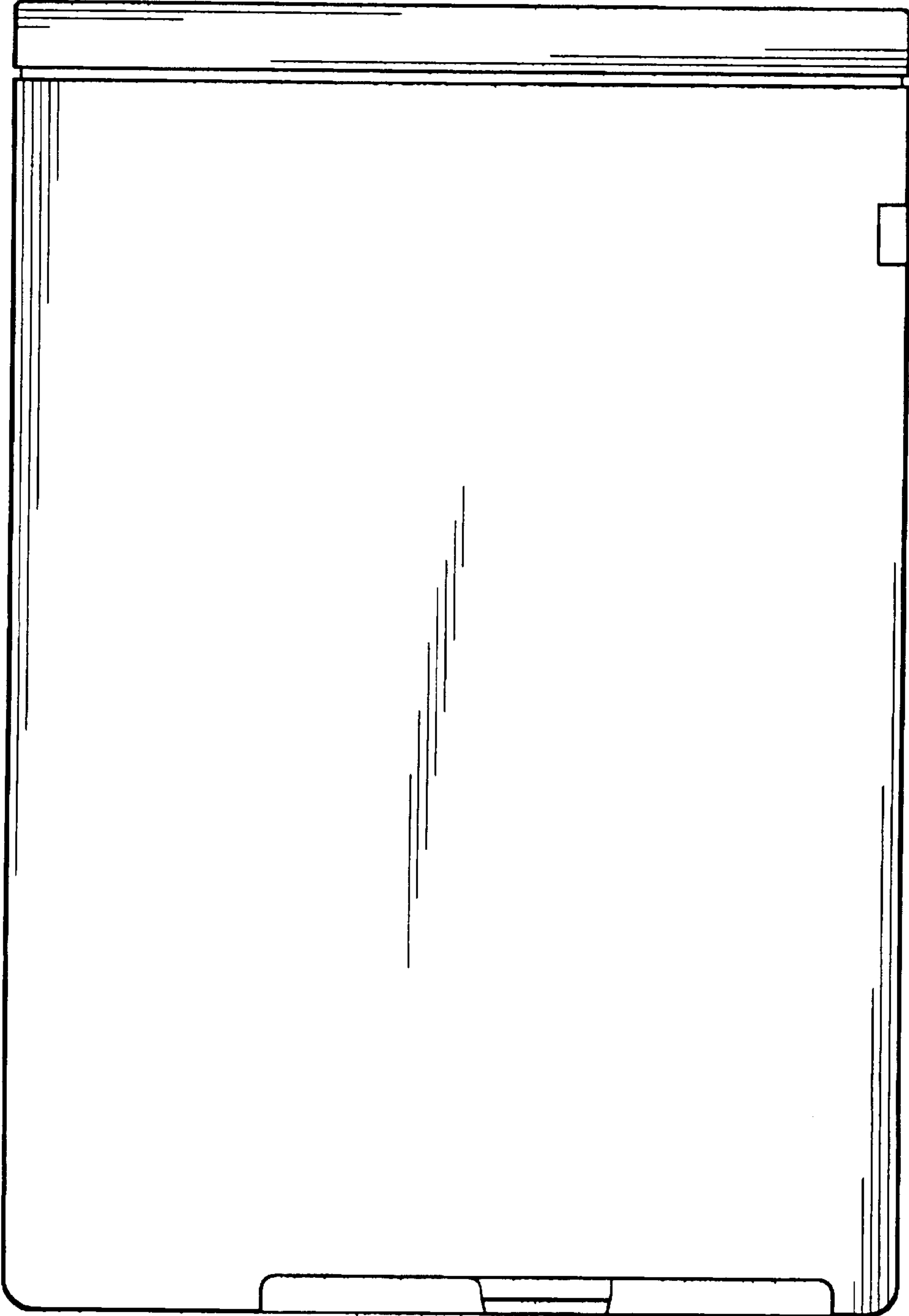


FIG. 7