



US00D515574S

(12) **United States Design Patent**
Colburn

(10) **Patent No.:** **US D515,574 S**

(45) **Date of Patent:** **** Feb. 21, 2006**

(54) **HINGED RADIO FREQUENCY IDENTIFICATION TAG READER**

(75) **Inventor:** **Theodore Joseph Colburn**, Los Gatos, CA (US)

(73) **Assignee:** **VIVOftech, Inc.**, Santa Clara, CA (US)

(**) **Term:** **14 Years**

(21) **Appl. No.:** **29/213,042**

(22) **Filed:** **Sep. 9, 2004**

(51) **LOC (8) Cl.** **14-02**

(52) **U.S. Cl.** **D14/383**

(58) **Field of Classification Search** D14/383-385;
355/65, 75; 235/380, 382, 382.5, 449, 454,
235/375, 483; 250/566, 569

See application file for complete search history.

(56) **References Cited**

U.S. PATENT DOCUMENTS

- 4,788,420 A * 11/1988 Chang et al. 235/483
- 5,034,619 A * 7/1991 Hammond, Jr. 250/569
- 5,218,188 A * 6/1993 Hanson 235/375
- 5,345,090 A * 9/1994 Hludzinski 250/566
- D390,836 S * 2/1998 Takahashi D14/385
- D480,397 S * 10/2003 Forsythe et al. D14/383

- D483,371 S * 12/2003 Johnston D14/385
- D491,953 S 6/2004 Arakaki et al.
- 2003/0218066 A1 * 11/2003 Fernandes et al. 235/449

* cited by examiner

Primary Examiner—Freda S. Nunn

(74) *Attorney, Agent, or Firm*—Townsend and Townsend and Crew LLP

(57) **CLAIM**

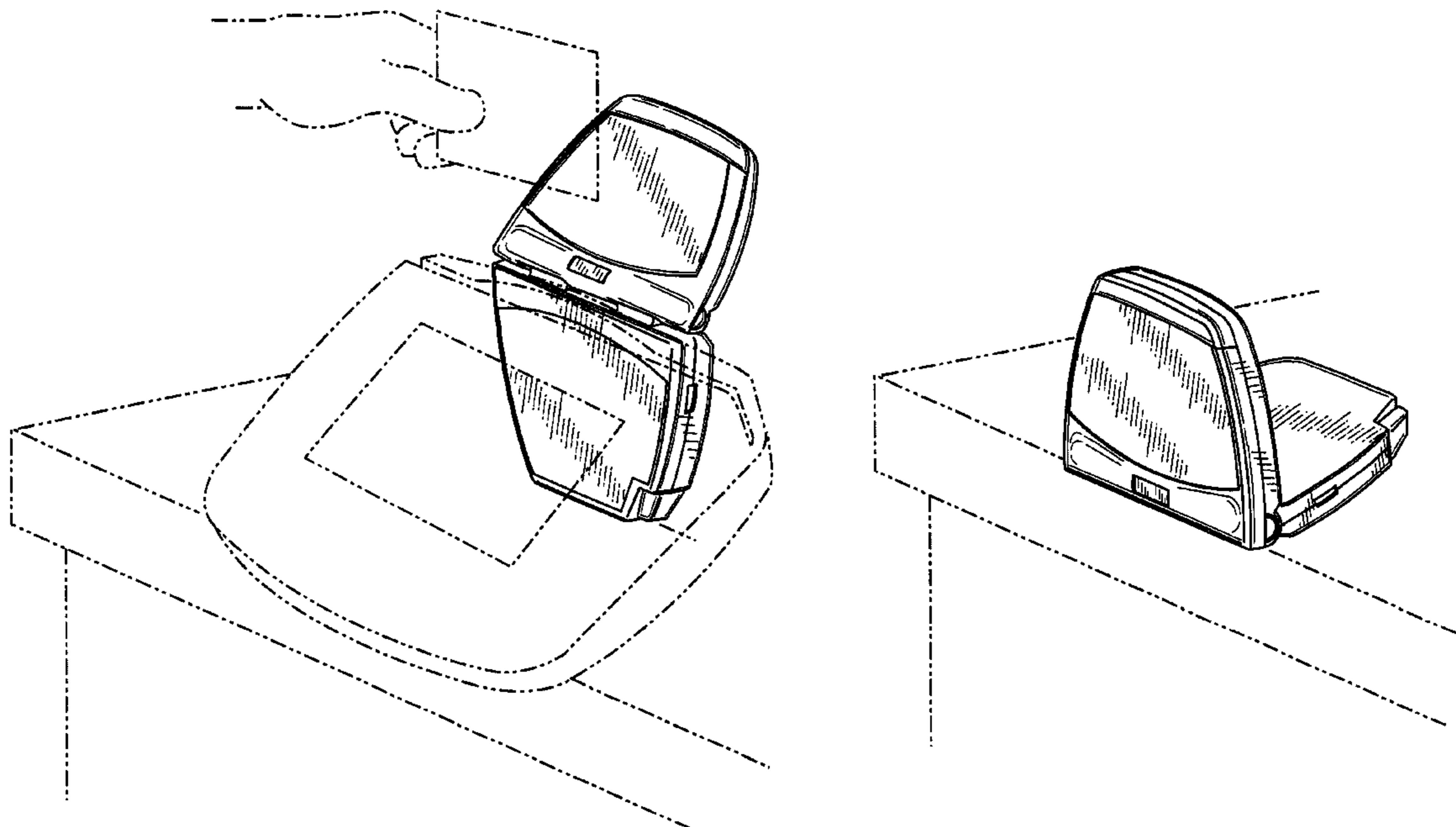
The ornamental design for a hinged radio frequency identification tag reader, as shown and described.

DESCRIPTION

FIG. 1 is a perspective view of a hinged radio frequency identification tag reader showing my new design; FIG. 2 is a front view thereof; FIG. 3 is a rear view thereof; FIG. 4 is a left side elevational view thereof; FIG. 5 is a right side elevational view thereof; FIG. 6 is a top plan view thereof; FIG. 7 is a bottom plan view thereof; and FIG. 8 is another perspective view thereof; and, FIG. 9 is another perspective view thereof.

The broken line showing the environment is for illustrative purposes only and forms no part of the claimed design.

1 Claim, 6 Drawing Sheets



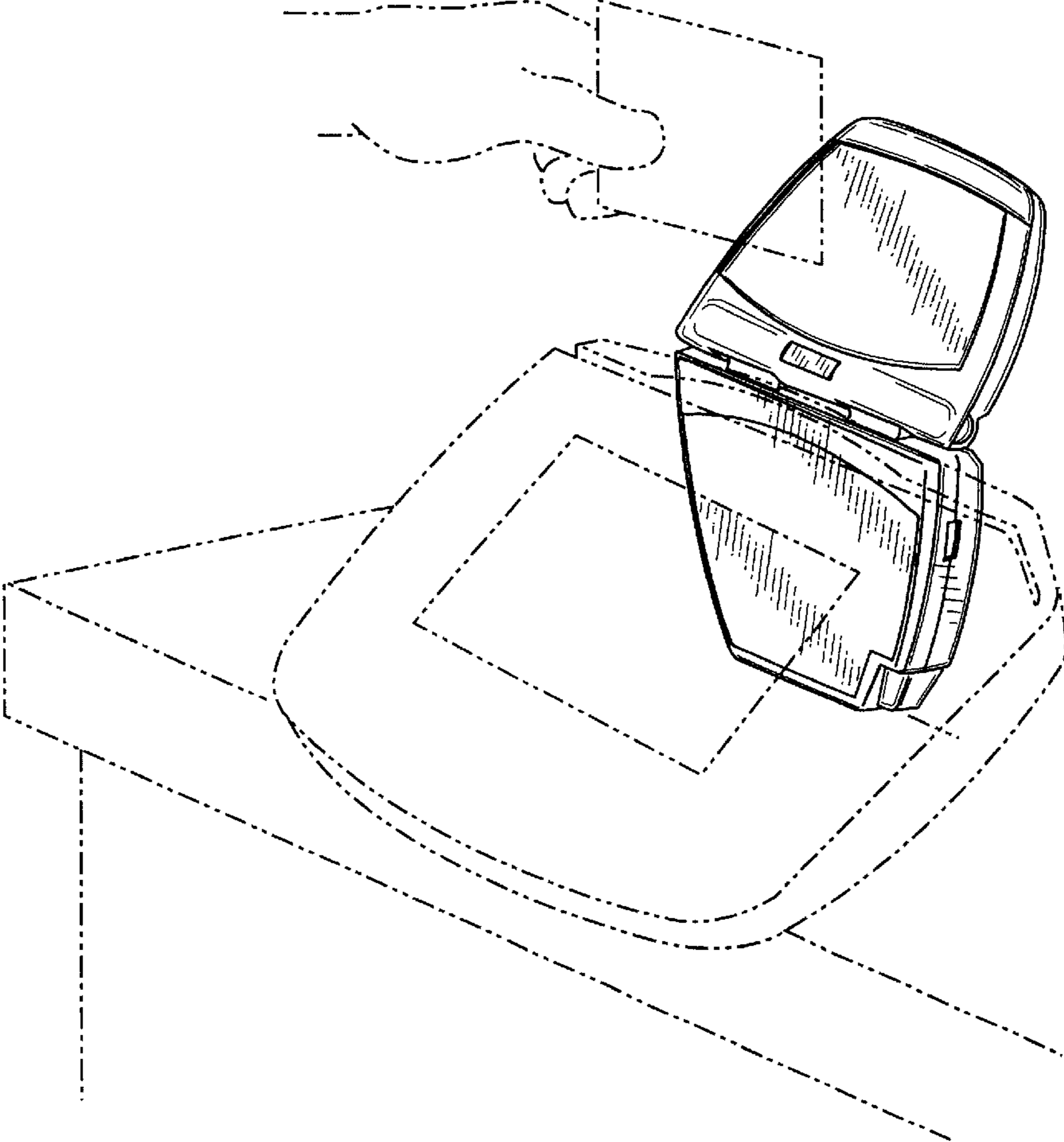


FIG. 1

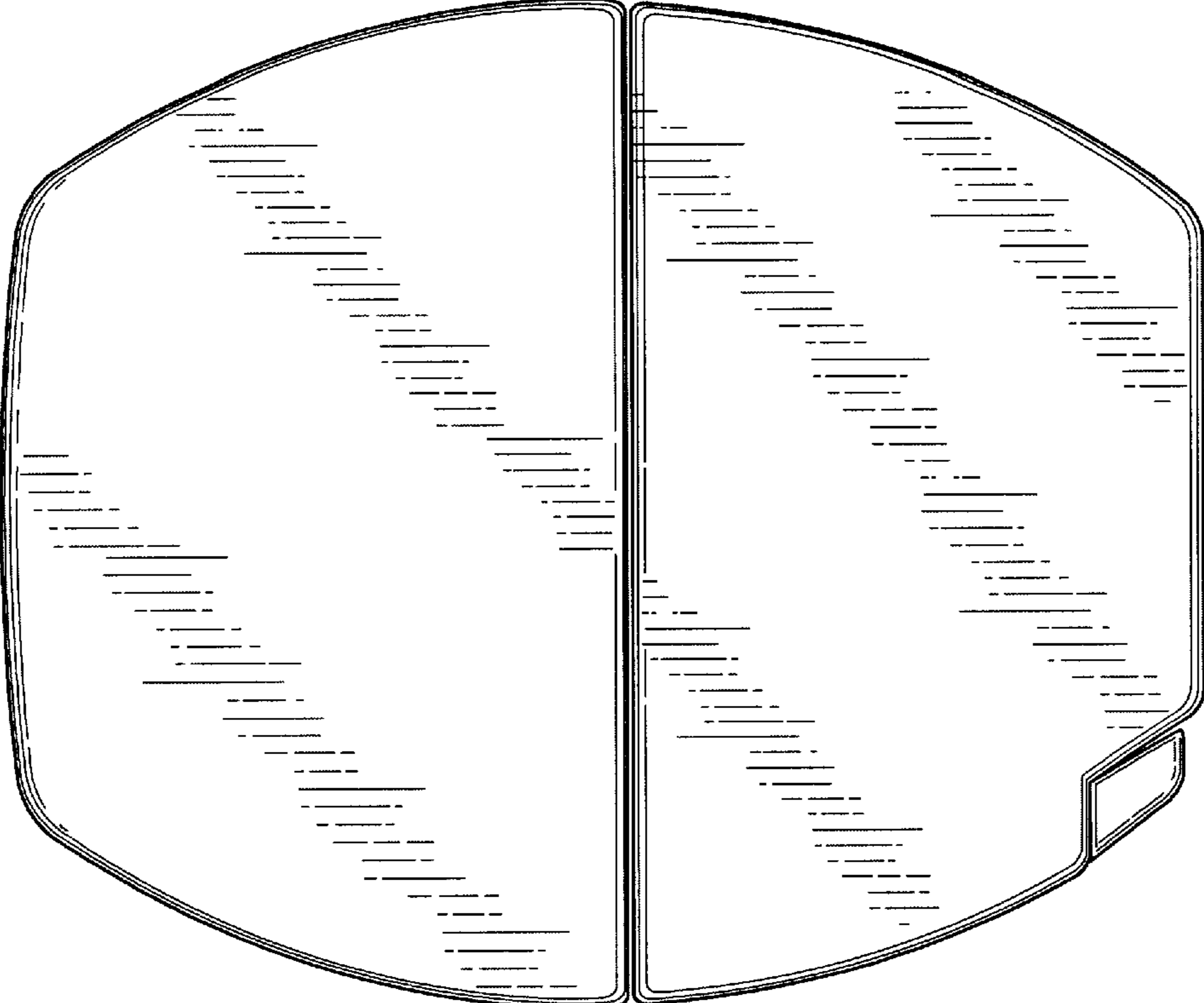


FIG. 3

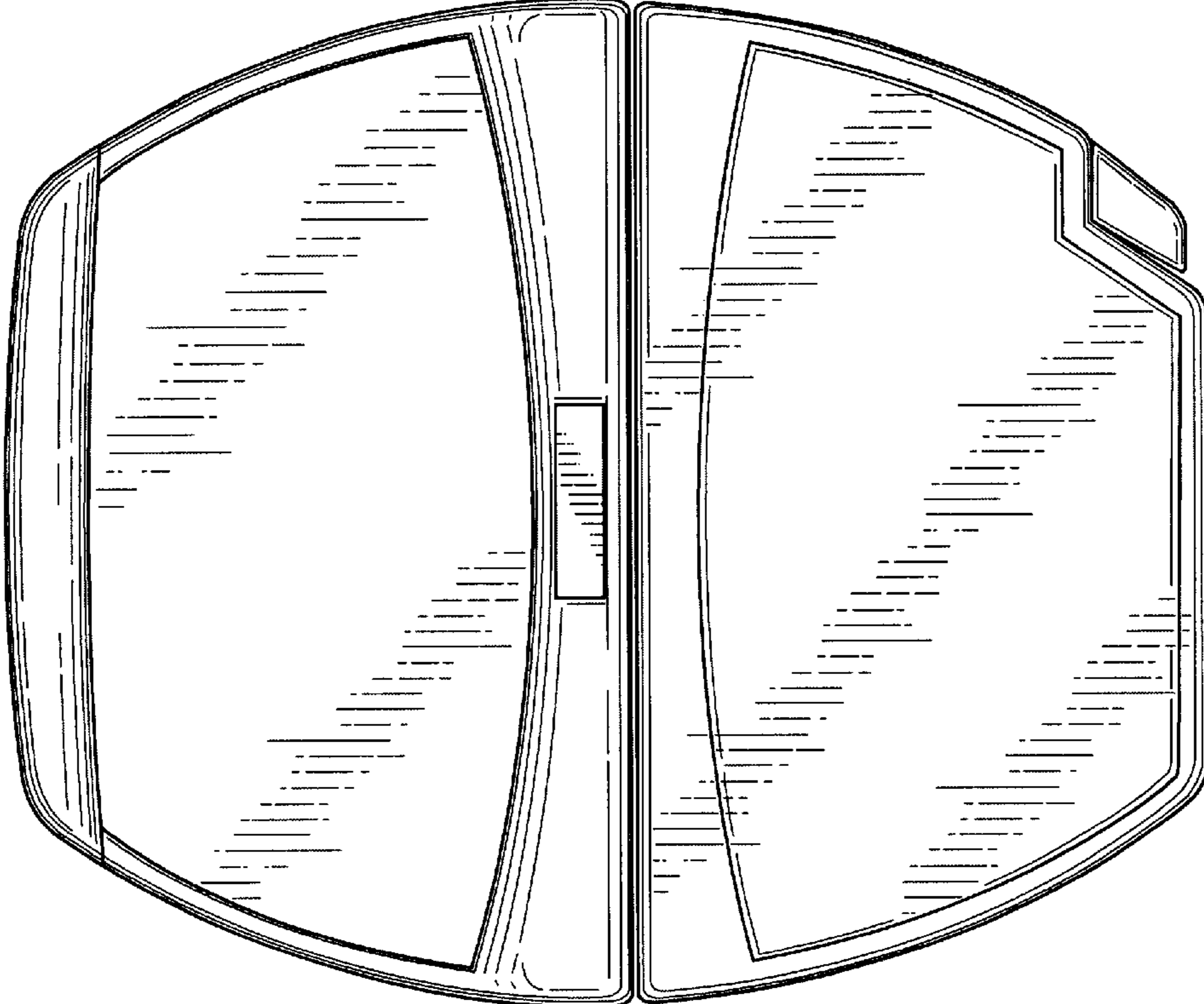


FIG. 2

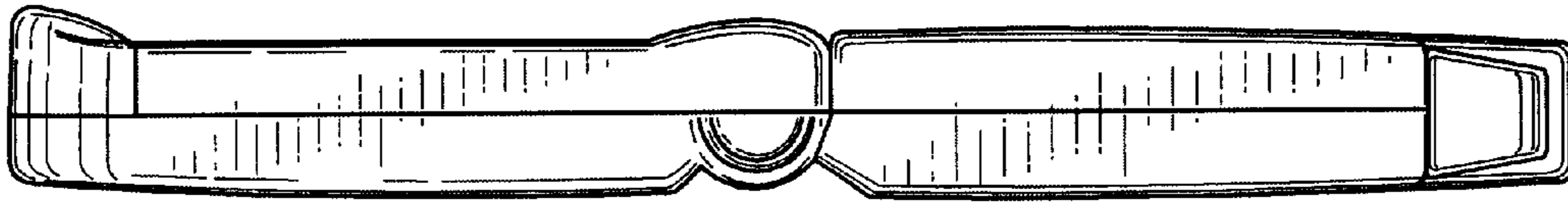


FIG. 5

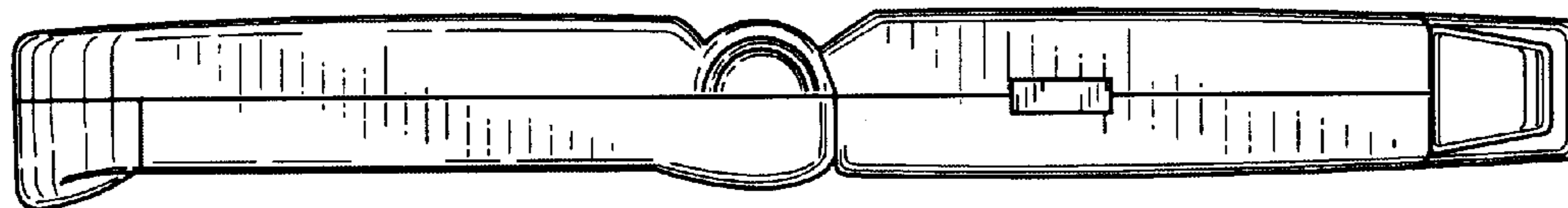


FIG. 4

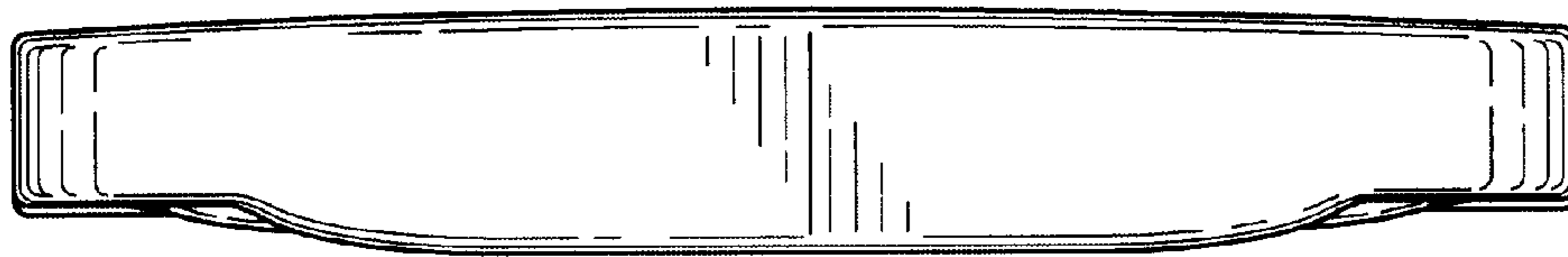


FIG. 6

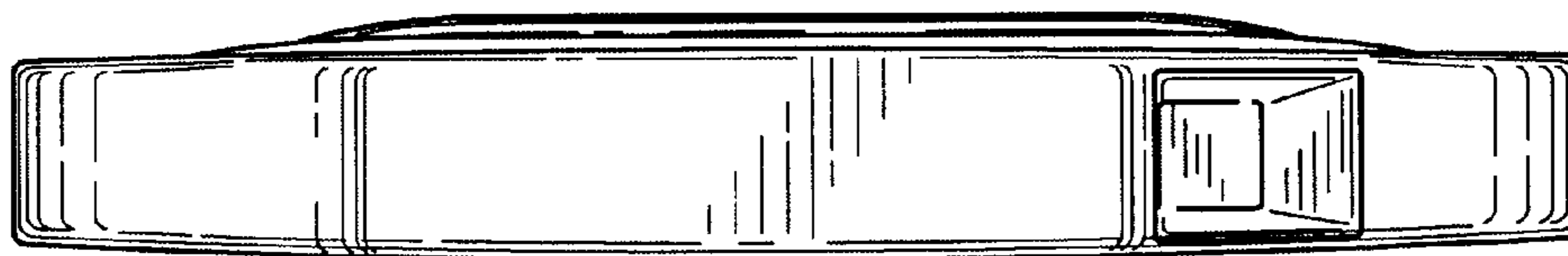


FIG. 7

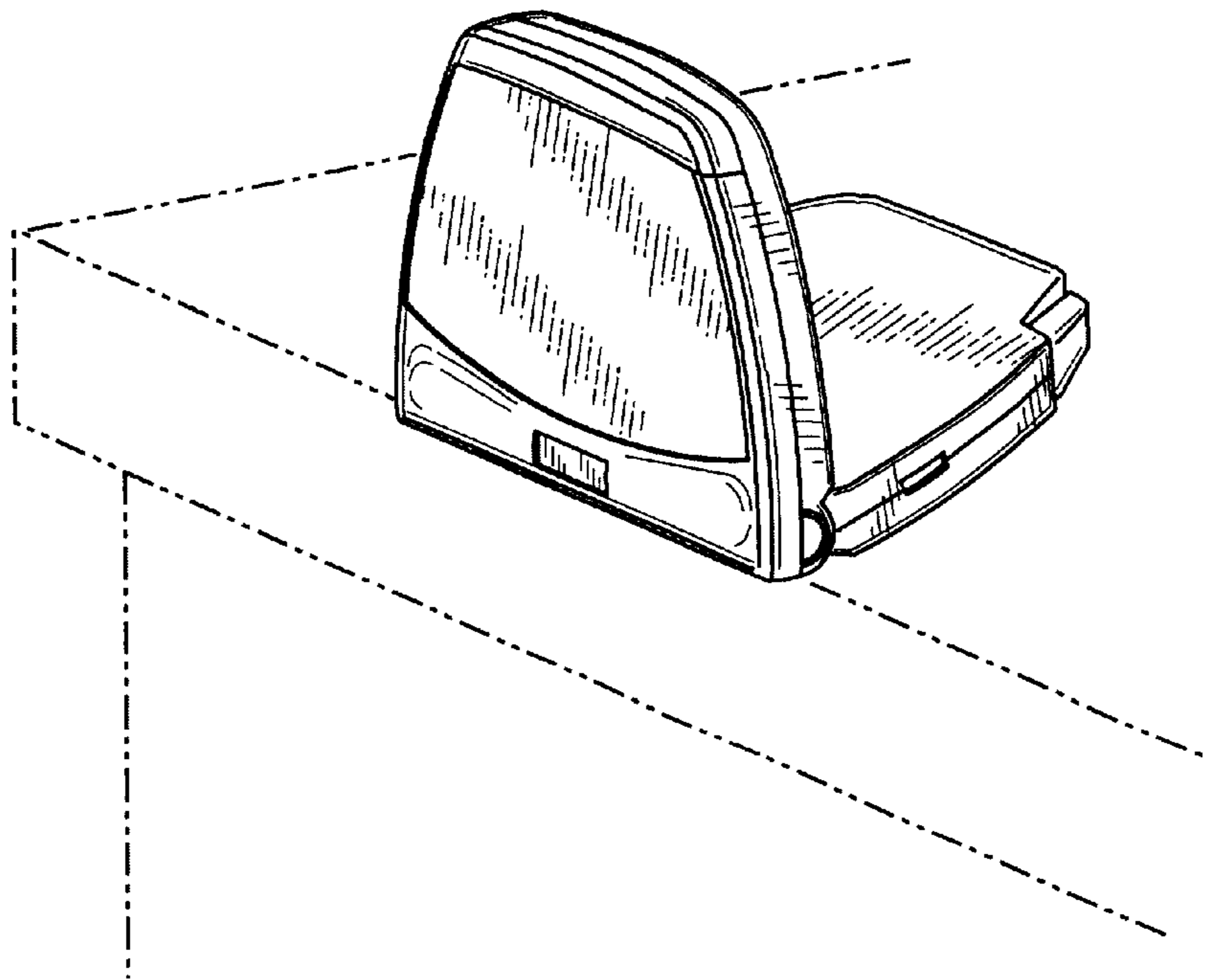


FIG. 8

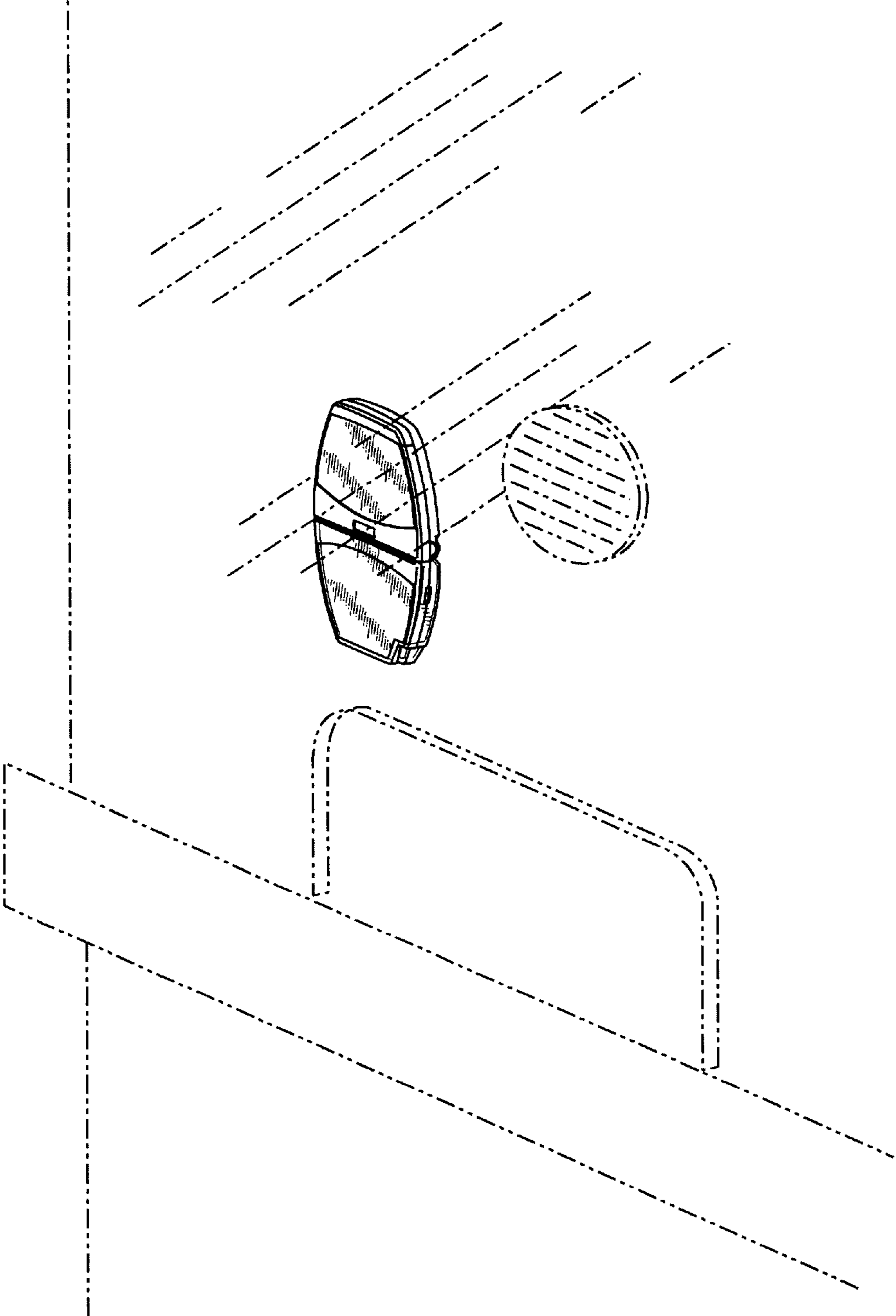


FIG. 9