

US00D515569S

(12) **United States Design Patent**  
**Hoehn**

(10) **Patent No.:** **US D515,569 S**

(45) **Date of Patent:** **\*\* Feb. 21, 2006**

(54) **DISPLAY**

(75) **Inventor:** **Holger Hoehn, Taipei (TW)**

(73) **Assignee:** **Hannspree, Inc., Taipei (TW)**

(\*\*) **Term:** **14 Years**

(21) **Appl. No.:** **29/213,619**

(22) **Filed:** **Sep. 20, 2004**

(51) **LOC (8) Cl.** ..... **14-02**

(52) **U.S. Cl.** ..... **D14/371**

(58) **Field of Classification Search** ..... D14/371-376,  
D14/125-129; 341/12; 345/104, 156, 168,  
345/173, 901-905; 248/917-924; 348/180,  
348/184, 325, 739; 349/1, 2, 11, 62; 40/594;  
312/204

See application file for complete search history.

(56) **References Cited**

**U.S. PATENT DOCUMENTS**

5,072,998 A \* 12/1991 Oh ..... 312/204  
5,564,209 A \* 10/1996 Zagnoli ..... 40/594  
D473,229 S \* 4/2003 Zuege et al. .... D14/371

D473,556 S \* 4/2003 Zuege et al. .... D14/371  
D476,653 S \* 7/2003 Zuege et al. .... D14/371  
D484,880 S \* 1/2004 Chiang ..... D14/371  
D495,333 S \* 8/2004 Borsboom ..... D14/371  
D495,705 S \* 9/2004 Borsboom ..... D14/371

\* cited by examiner

*Primary Examiner*—Freda S. Nunn

(74) *Attorney, Agent, or Firm*—Sughrue Mion, PLLC

(57) **CLAIM**

The ornamental design for a display, as shown and described.

**DESCRIPTION**

FIG. 1 is a perspective view of a display showing the new design.

FIG. 2 is a front view thereof.

FIG. 3 is a rear view thereof.

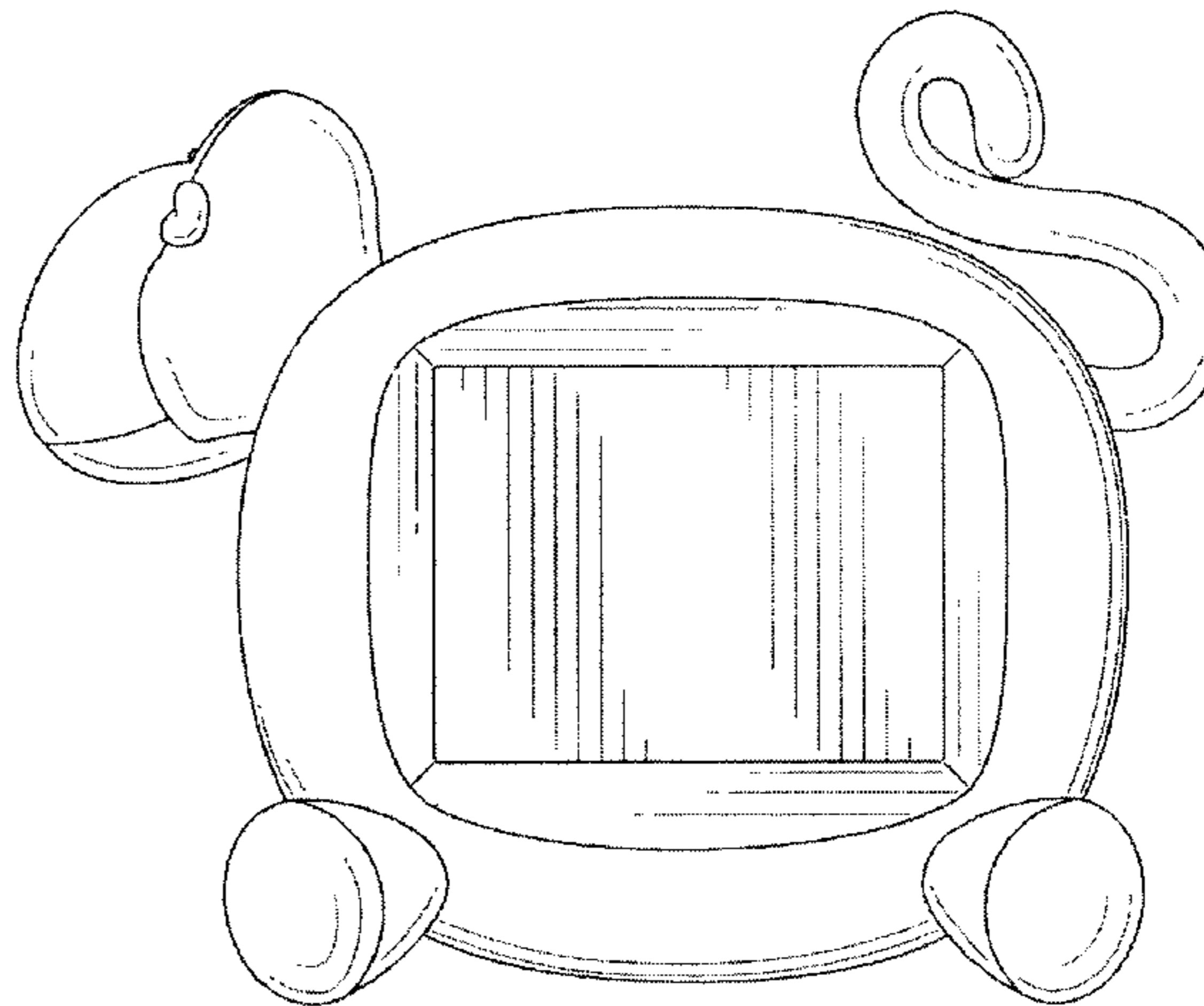
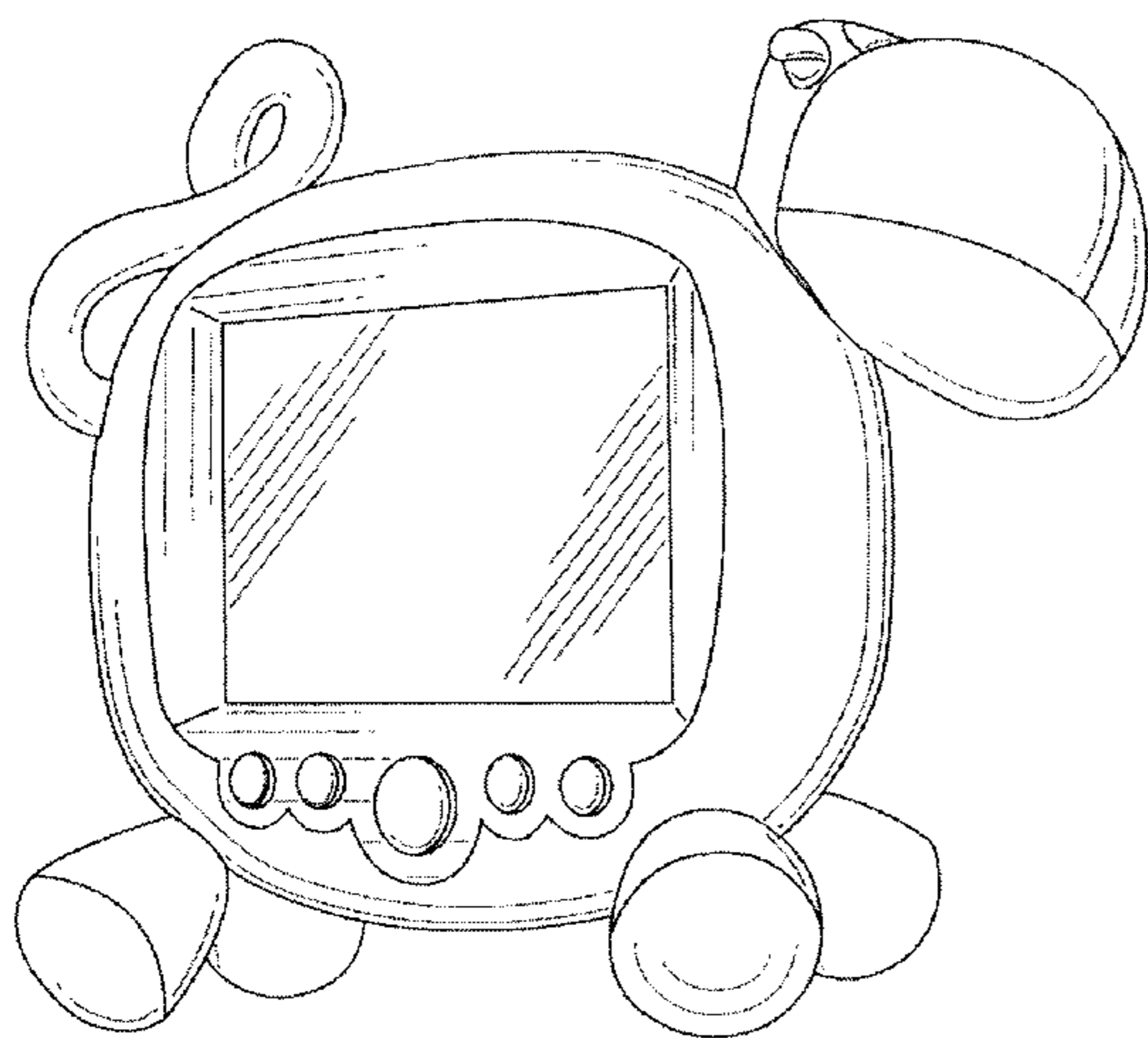
FIG. 4 is a left side view thereof.

FIG. 5 is a right side view thereof.

FIG. 6 is a top view thereof; and,

FIG. 7 is a bottom view thereof.

**1 Claim, 7 Drawing Sheets**



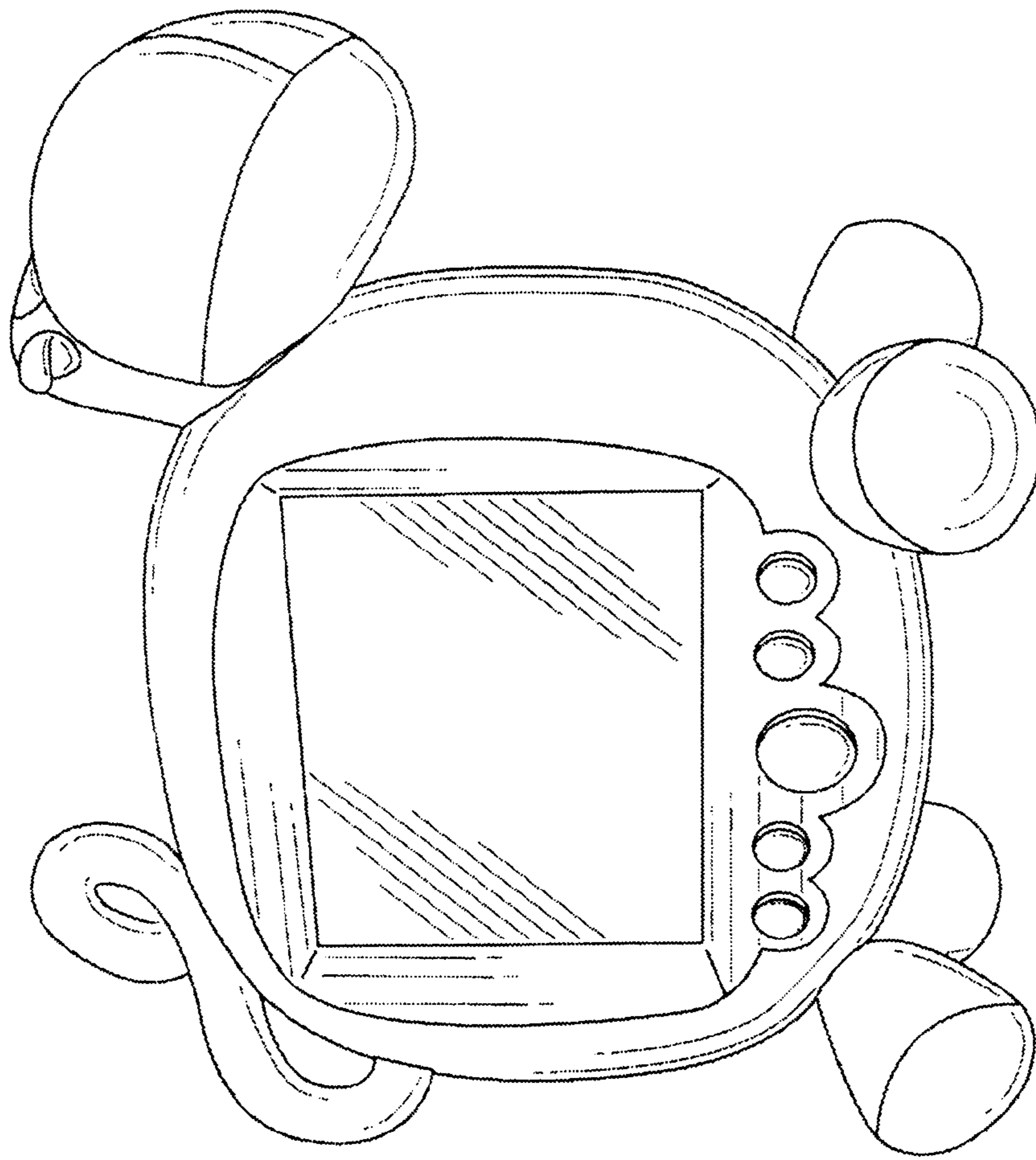


FIG. 1

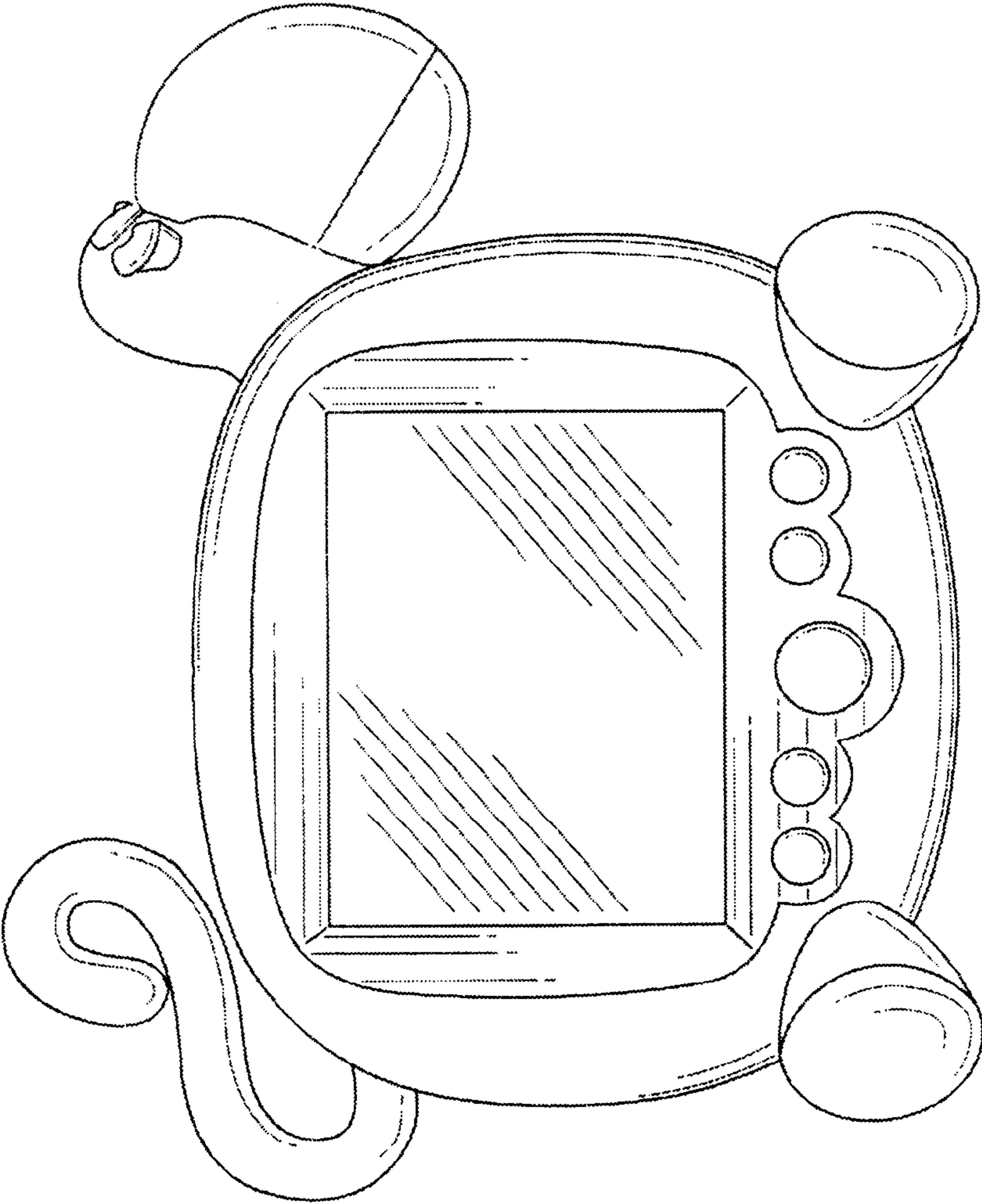


FIG. 2

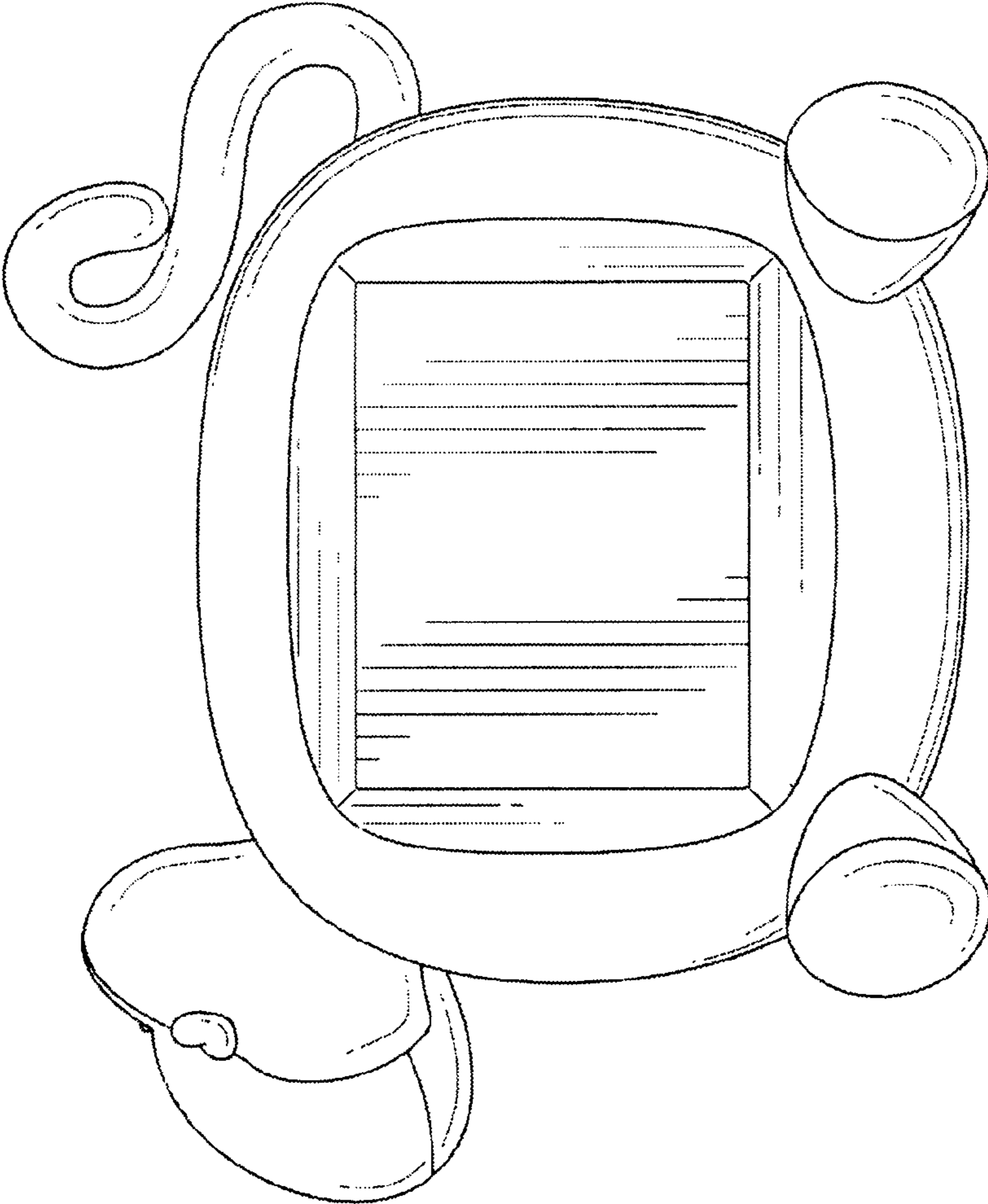


FIG. 3

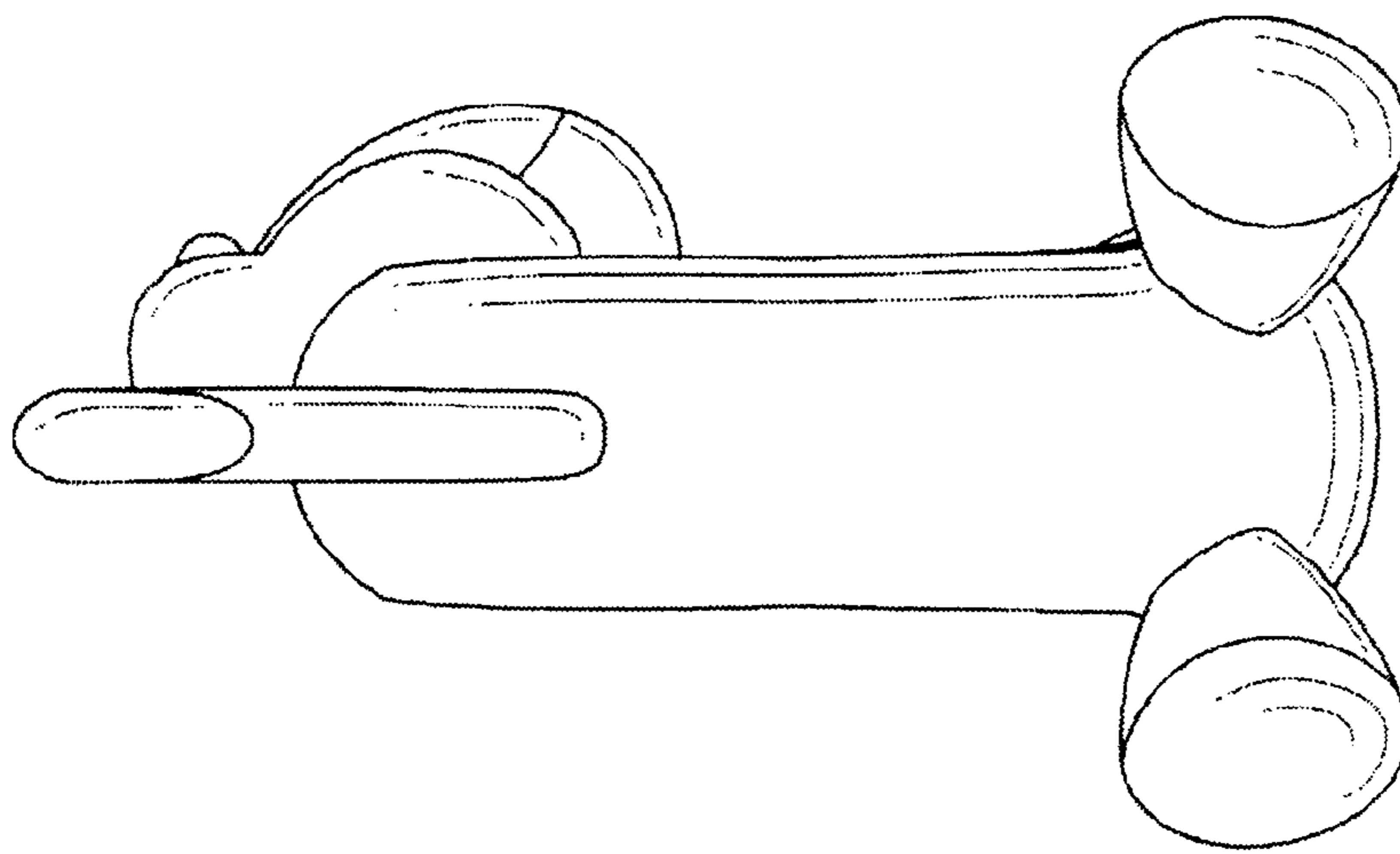


FIG. 4

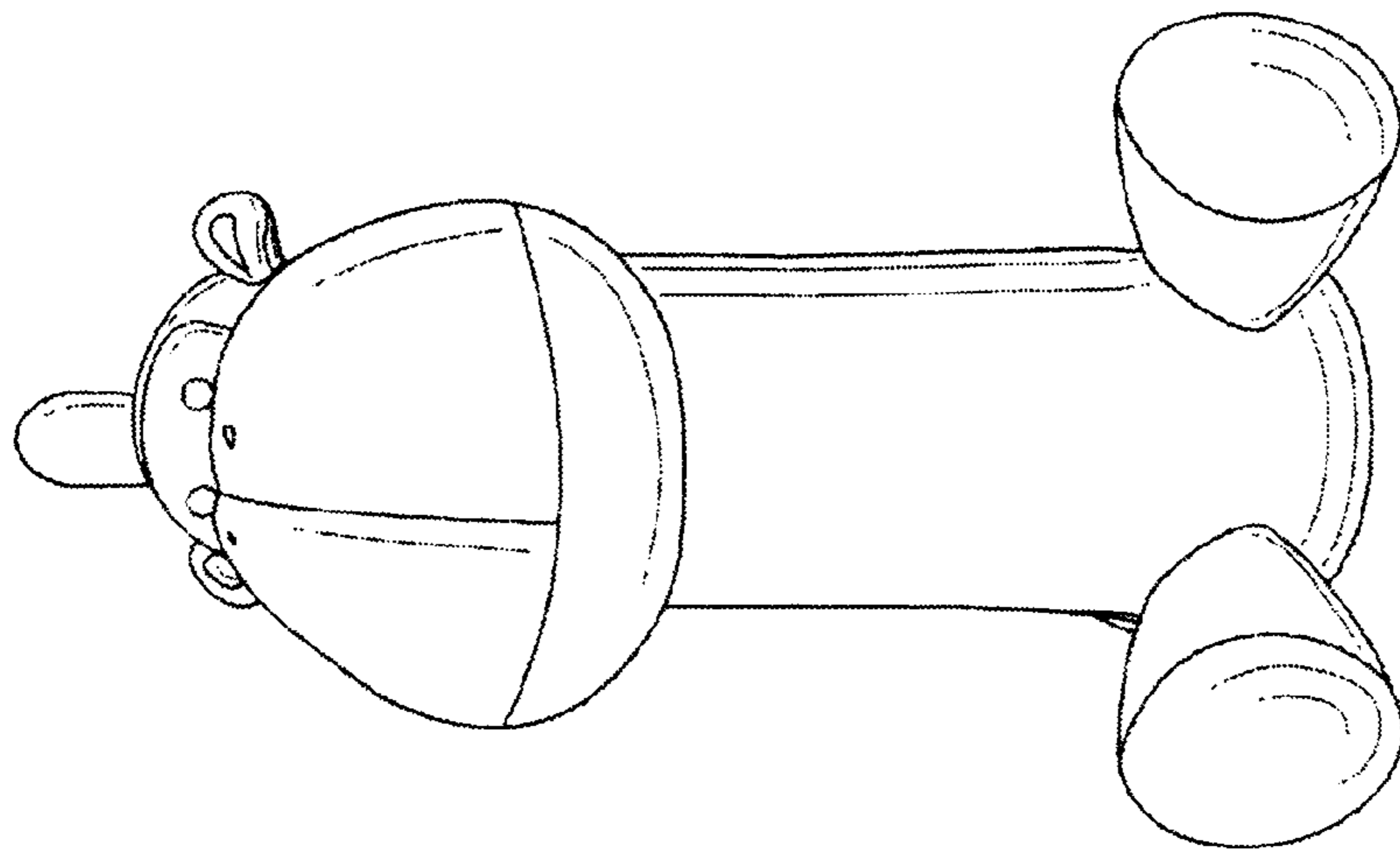


FIG. 5

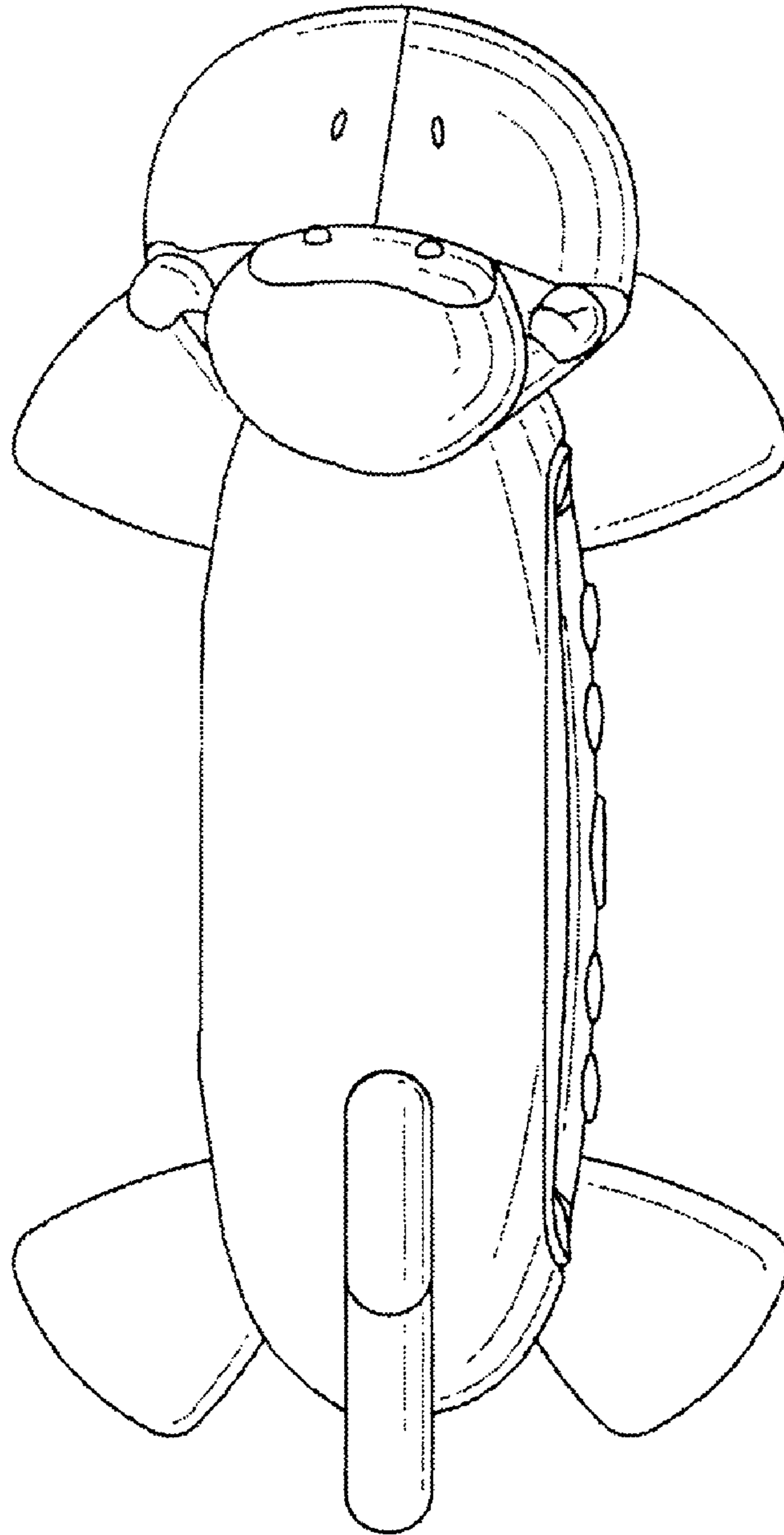


FIG. 6

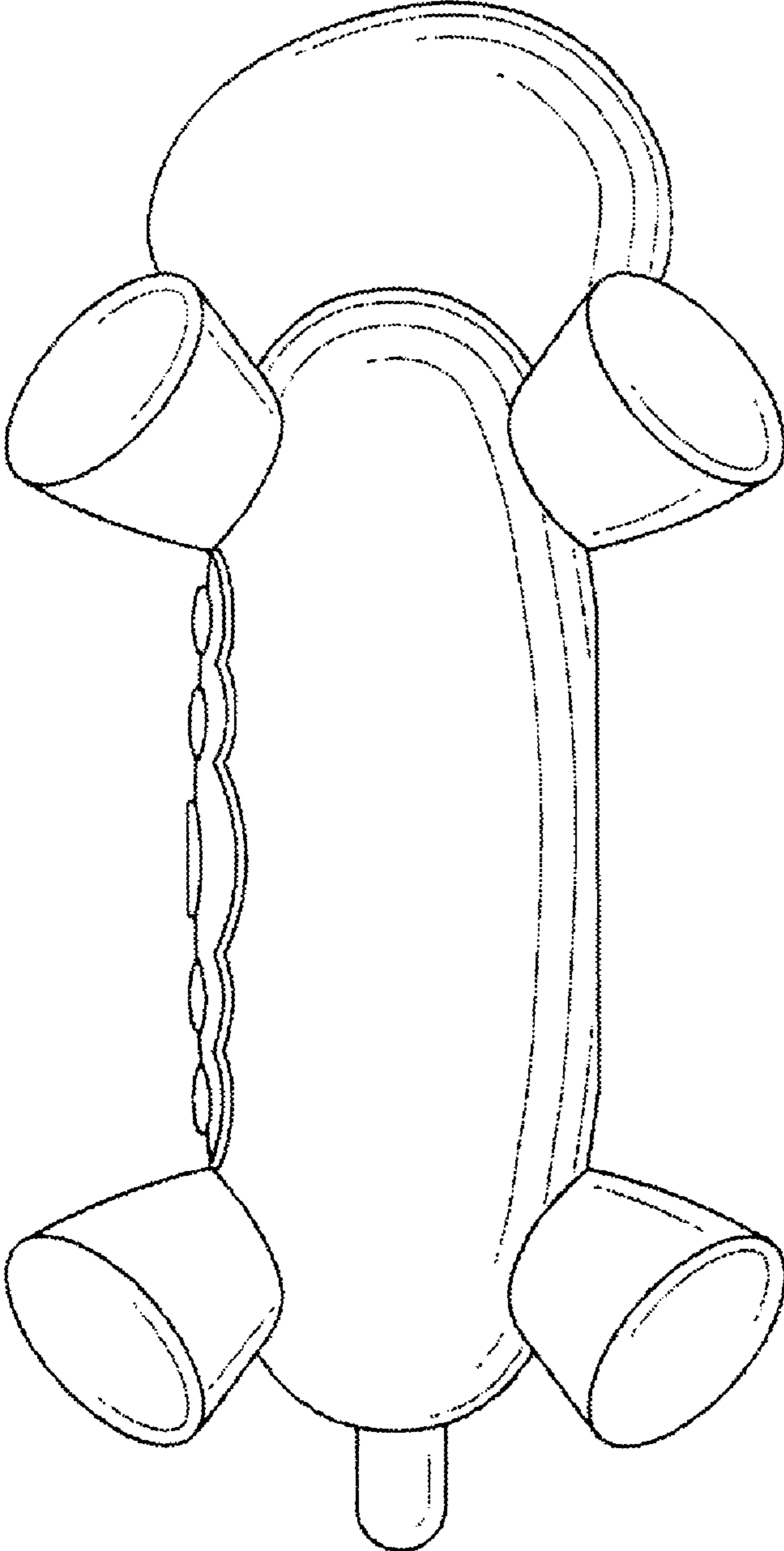


FIG. 7