



US00D515567S

(12) **United States Design Patent**
Tsao

(10) **Patent No.:** **US D515,567 S**
(45) **Date of Patent:** **** Feb. 21, 2006**

(54) **DISPLAY**

(75) Inventor: **Chun-Lei Tsao**, Taipei (TW)

(73) Assignee: **Hannspree, Inc.**, Taipei (TW)

(**) Term: **14 Years**

(21) Appl. No.: **29/213,617**

(22) Filed: **Sep. 20, 2004**

(51) **LOC (8) Cl.** **14-02**

(52) **U.S. Cl.** **D14/371**

(58) **Field of Classification Search** D14/371-376,
D14/125-129; 341/12; 345/104, 156, 168,
345/173, 901-905; 248/917-924; 348/180,
348/184, 325, 739; 349/1, 2, 11, 62; 40/594;
312/204

See application file for complete search history.

(56) **References Cited**

U.S. PATENT DOCUMENTS

5,072,998 A * 12/1991 Oh 312/204
5,564,209 A * 10/1996 Zagnoli 40/594
D473,229 S * 4/2003 Zuege et al. D14/371

D473,556 S * 4/2003 Zuege et al. D14/371
D476,653 S * 7/2003 Zuege et al. D14/371
D484,880 S * 1/2004 Chiang D14/371
D495,333 S * 8/2004 Borsboom D14/371
D495,705 S * 9/2004 Borsboom D14/371

* cited by examiner

Primary Examiner—Freda S. Nunn

(74) *Attorney, Agent, or Firm*—Sughrue Mion, PLLC

(57) **CLAIM**

The ornamental design for a display, as shown and described.

DESCRIPTION

FIG. 1 is a perspective view of a display showing the new design.

FIG. 2 is a front view thereof.

FIG. 3 is a rear view thereof.

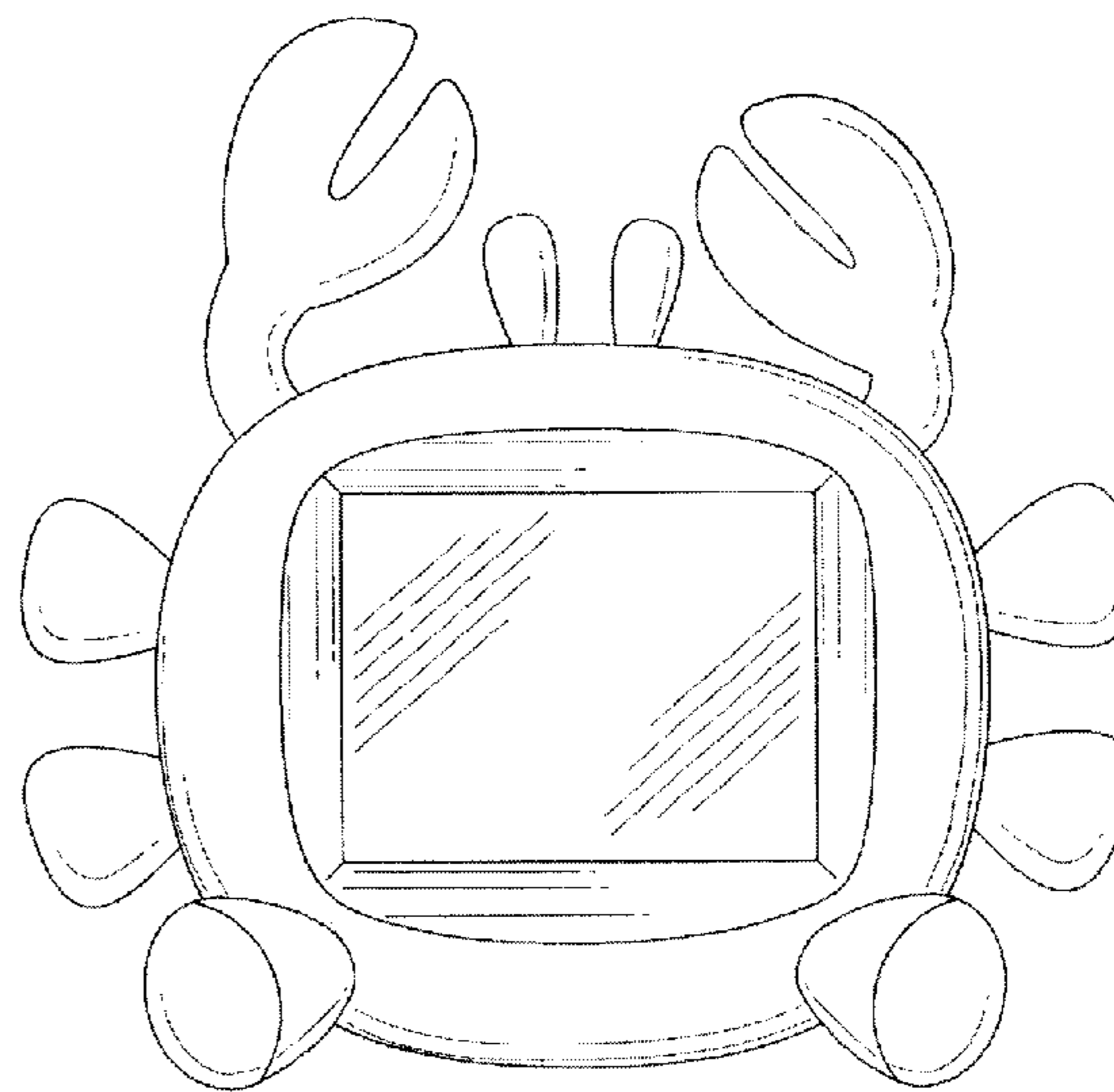
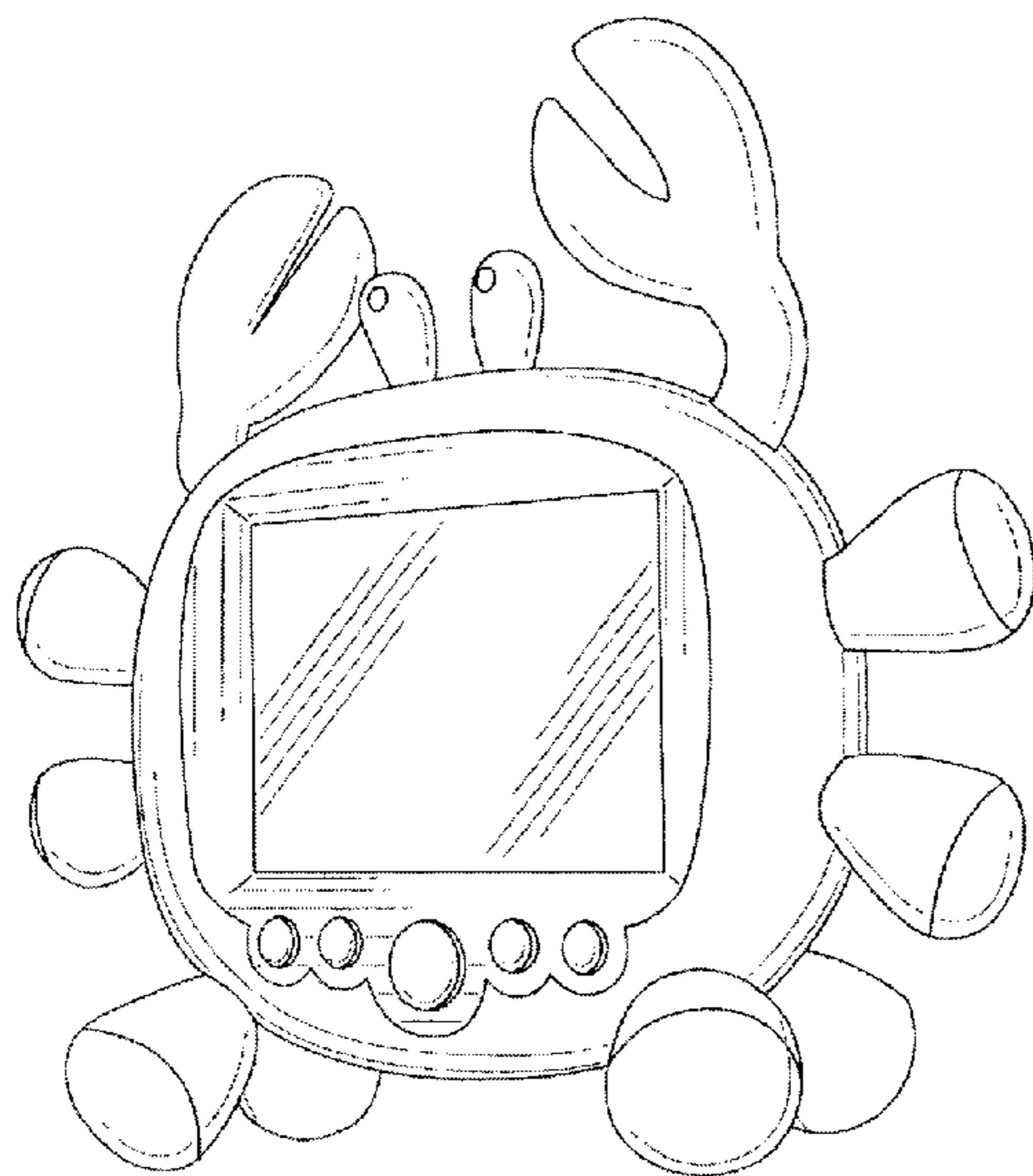
FIG. 4 is a left side view thereof.

FIG. 5 is a right side view thereof.

FIG. 6 is a top view thereof; and,

FIG. 7 is a bottom view thereof.

1 Claim, 7 Drawing Sheets



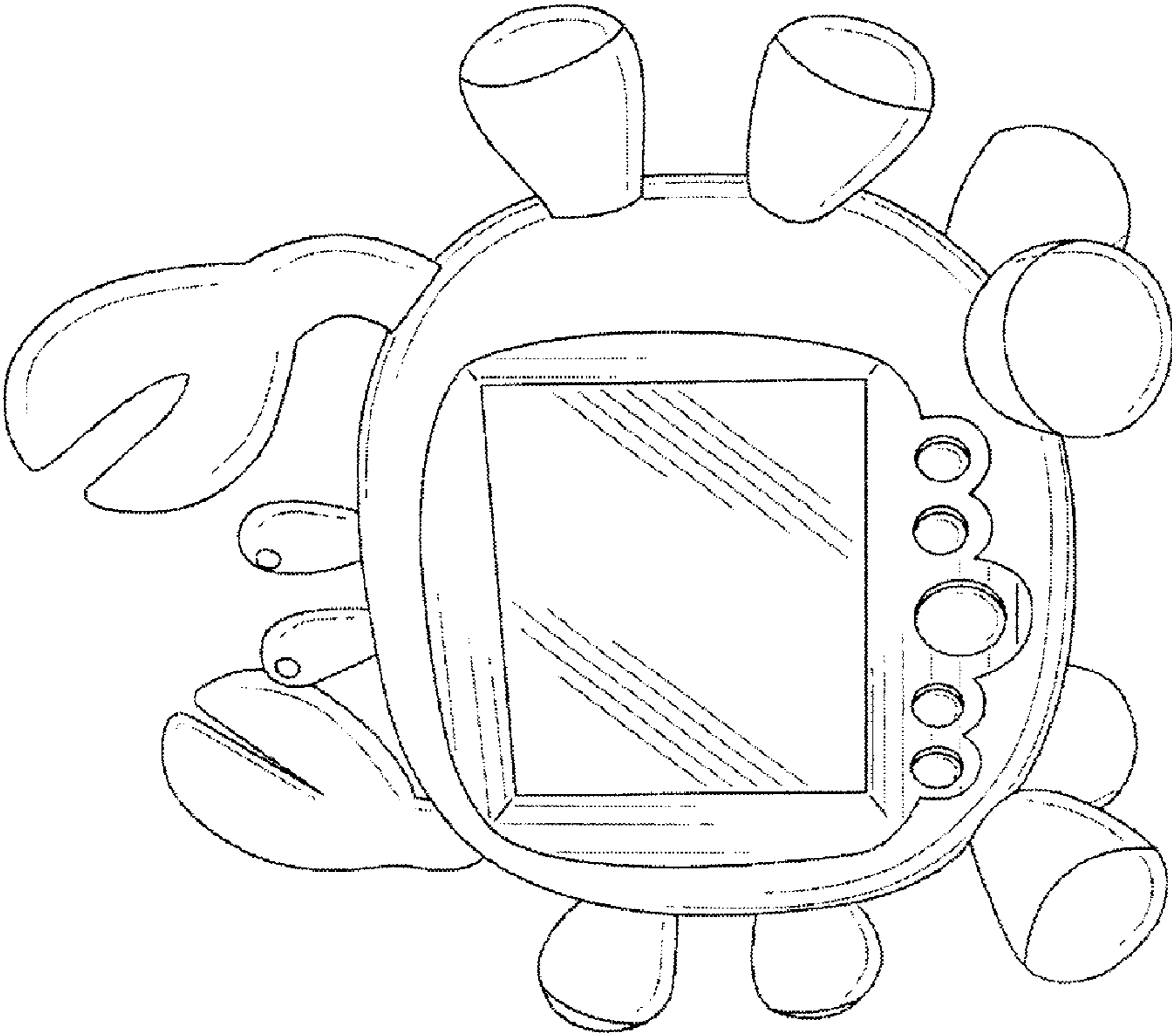


FIG. 1

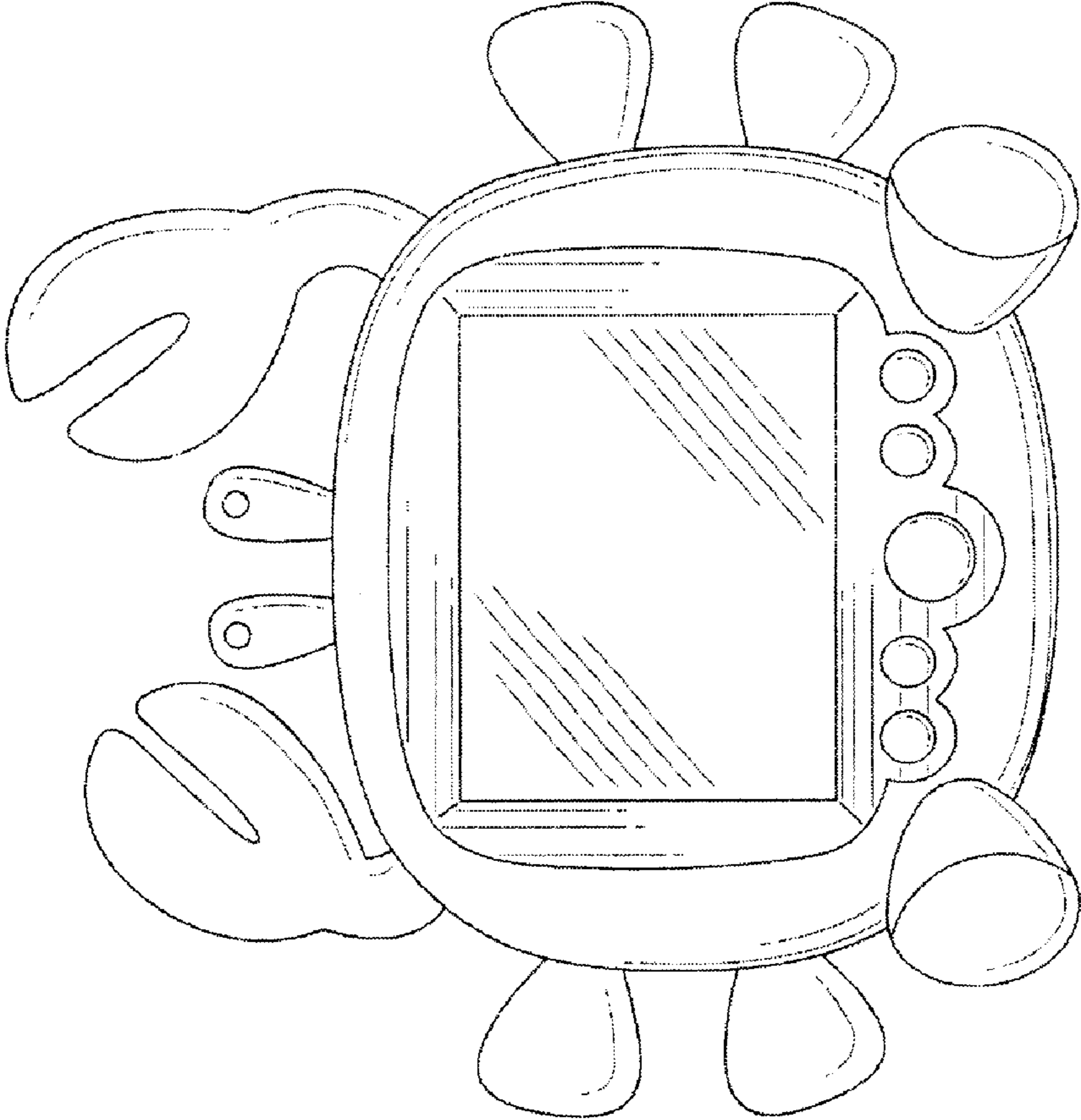


FIG. 2

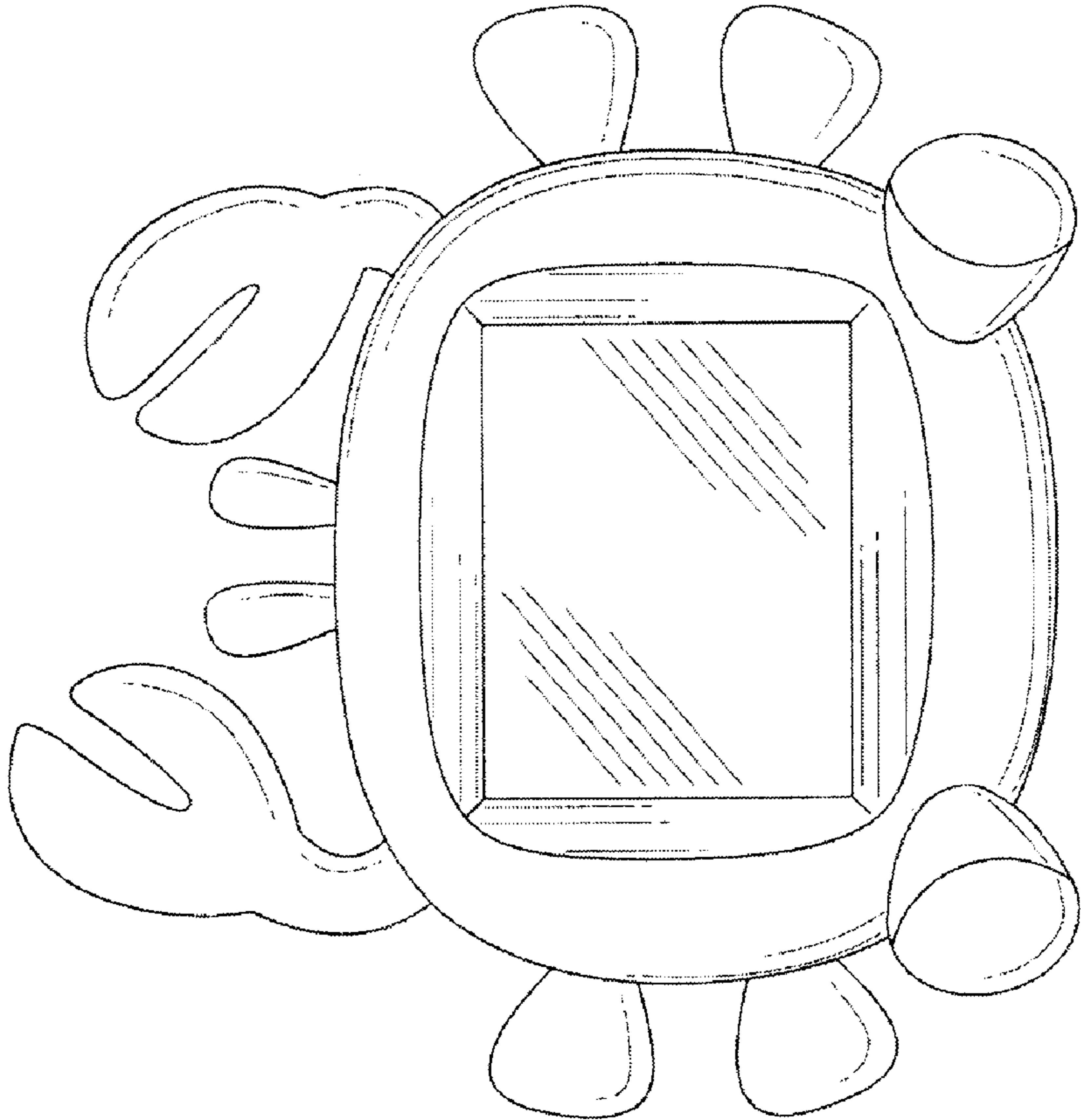


FIG. 3

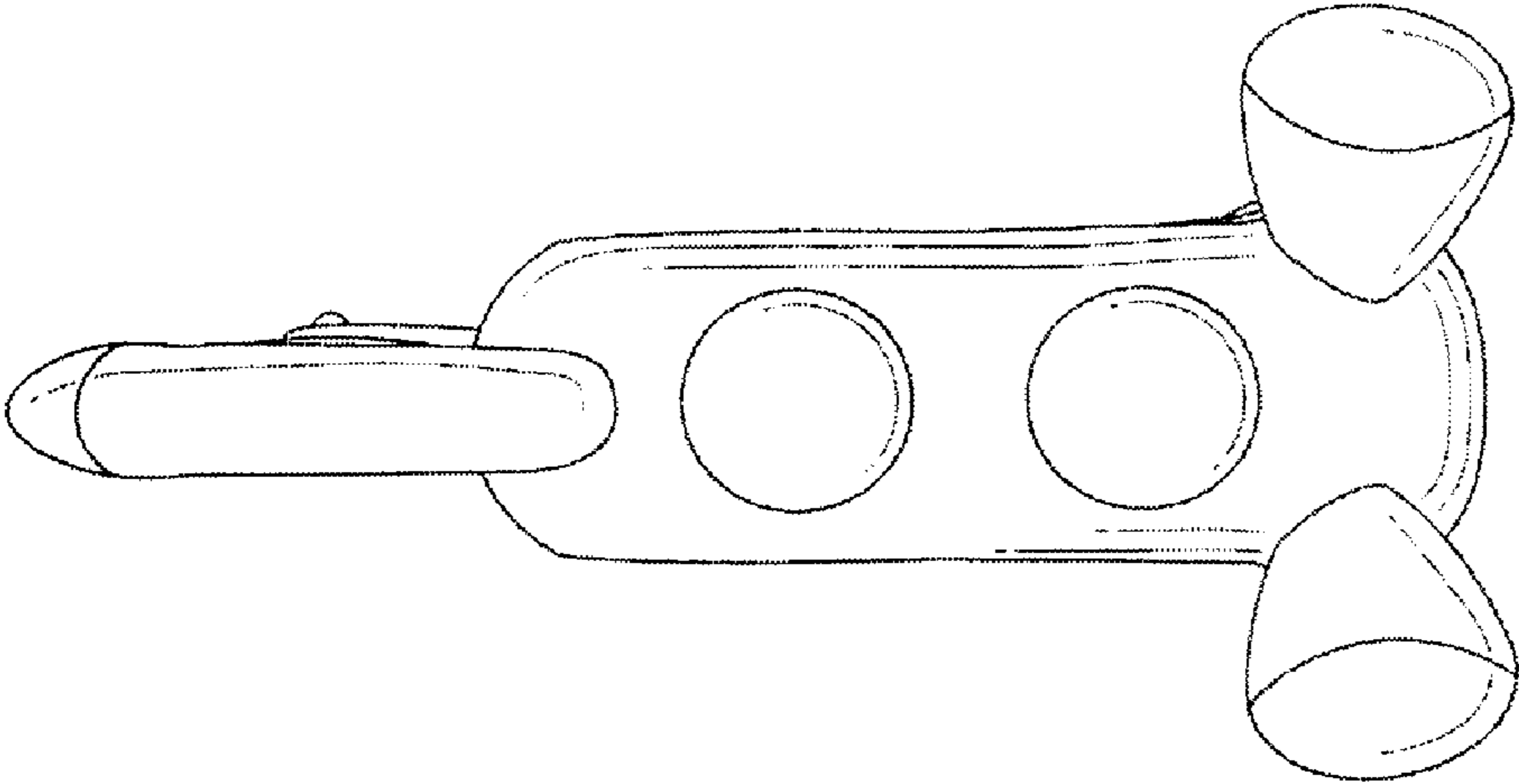


FIG. 4

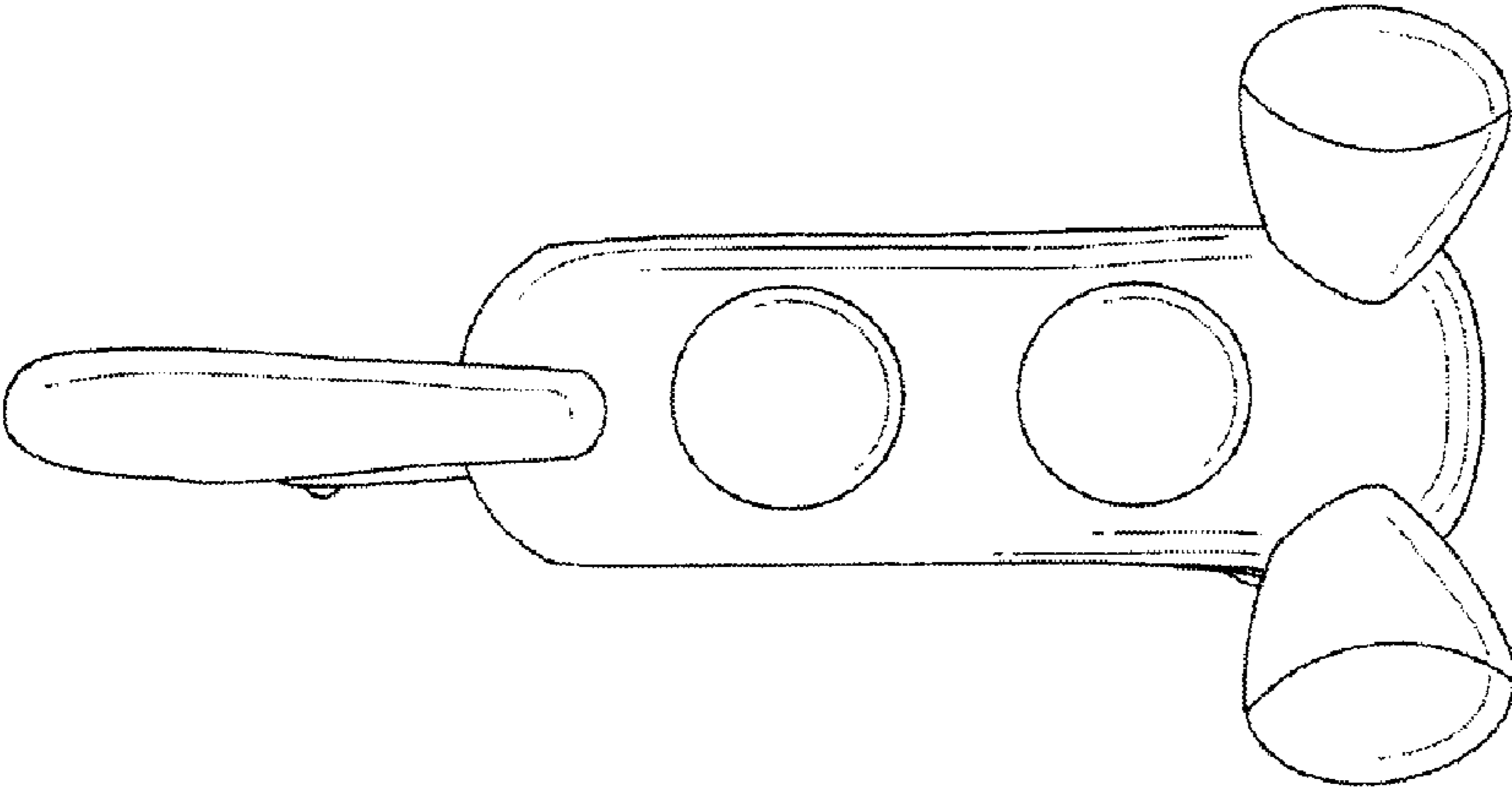


FIG. 5

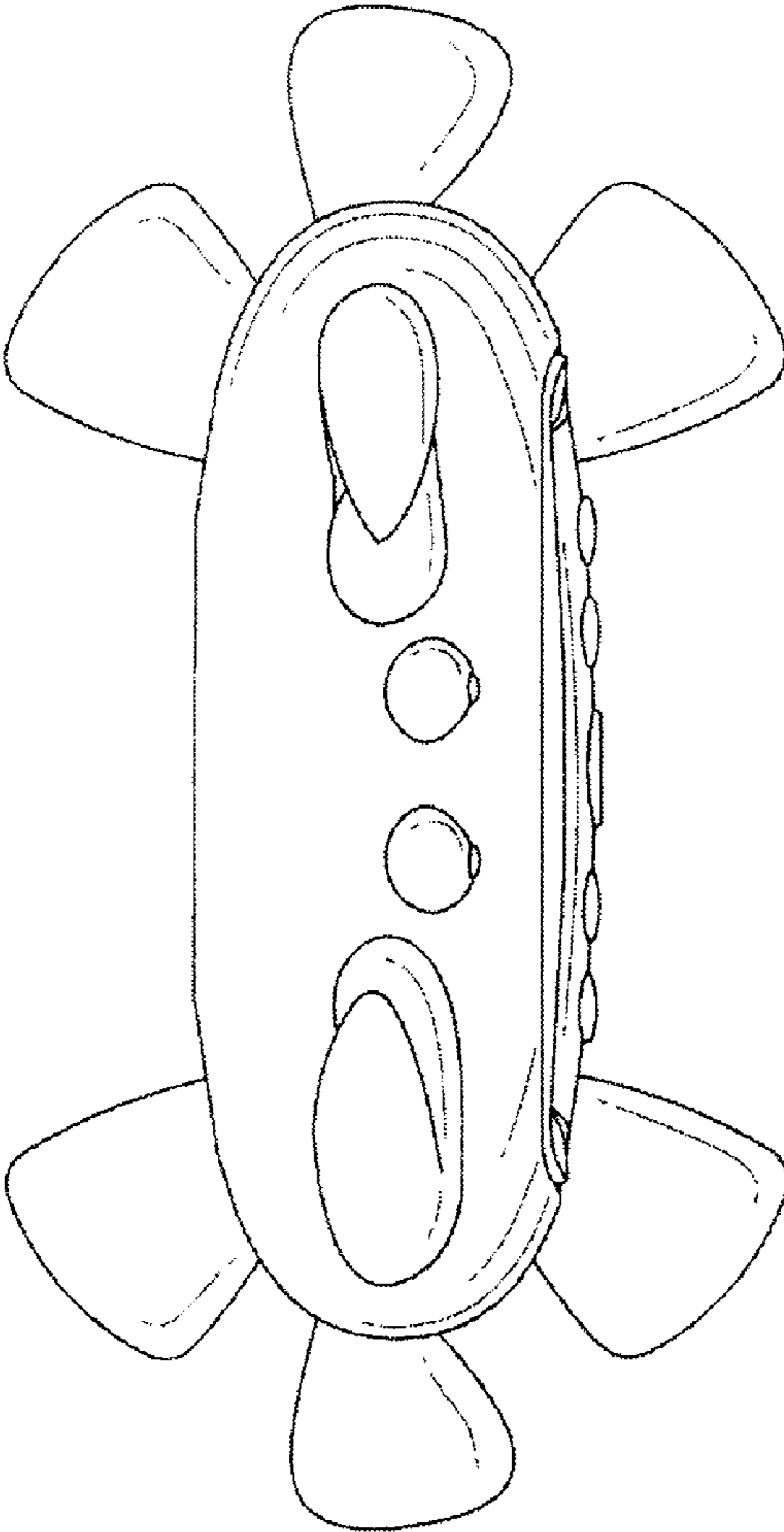


FIG. 6

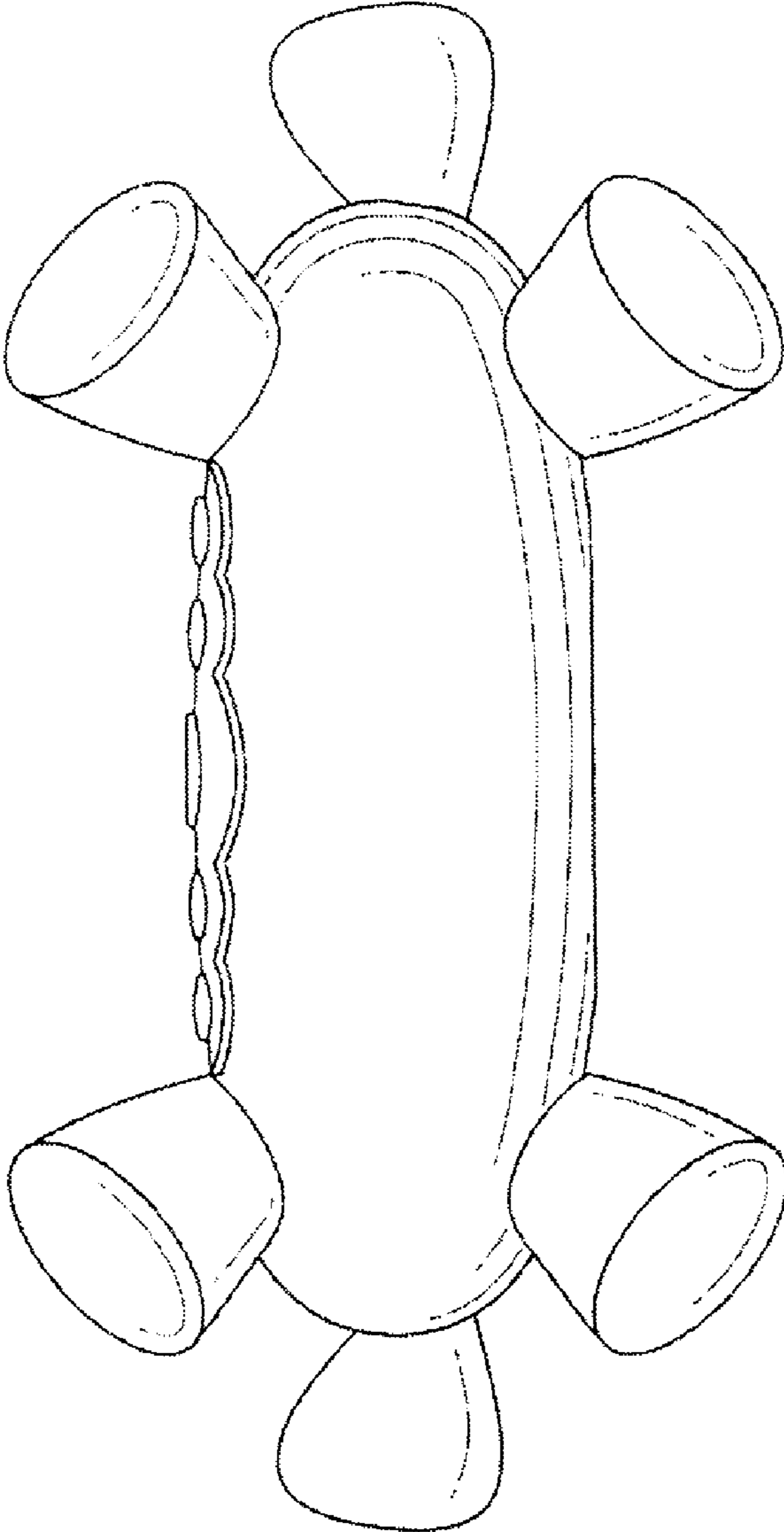


FIG. 7