



US00D515564S

(12) **United States Design Patent**
Sano et al.

(10) **Patent No.:** **US D515,564 S**
(45) **Date of Patent:** **** Feb. 21, 2006**

(54) **MEMORY STORAGE DEVICE FOR COMPUTER**

(75) Inventors: **Masanori Sano, Tokyo (JP); Satoshi Wada, Tokyo (JP); Makoto Nemoto, Tokyo (JP)**

(73) Assignee: **NEC Corporation, Tokyo (JP)**

(**) Term: **14 Years**

(21) Appl. No.: **29/215,453**

(22) Filed: **Oct. 20, 2004**

(30) **Foreign Application Priority Data**

Apr. 21, 2004 (JP) 2004-012094

(51) **LOC (8) Cl.** **14-02**

(52) **U.S. Cl.** **D14/356**

(58) **Field of Classification Search** D14/356,
D14/368, 351-52, 136, 348, 354, 363, 370,
D14/156; D13/184; 369/75.11, 77.11, 77.21;
361/683-686; 360/97.01, 99.06; 312/9.1
See application file for complete search history.

(56) **References Cited**

U.S. PATENT DOCUMENTS

D340,040 S * 10/1993 Gifford et al. D14/365
D345,553 S * 3/1994 Andou et al. D14/369

D357,005 S * 4/1995 Sakai et al. D14/368
D365,338 S * 12/1995 Kabasawa et al. D14/369
D366,035 S * 1/1996 Akiba et al. D14/369
D388,406 S * 12/1997 Hill et al. D14/369
D404,031 S * 1/1999 Uchiyama D14/156
D431,241 S * 9/2000 Armstrong et al. D14/348
D431,814 S * 10/2000 Sasago D14/135
D463,429 S * 9/2002 Tanaka D14/356

* cited by examiner

Primary Examiner—Alan P. Douglas

Assistant Examiner—Susan Moon Lee

(74) *Attorney, Agent, or Firm*—Sughrue Mion, PLLC

(57) **CLAIM**

The ornamental design for a memory storage device for computer, as shown.

DESCRIPTION

FIG. 1 is a perspective view of the top, front and right side of a memory storage device for computer showing our new design;

FIG. 2 is a front elevational view thereof;

FIG. 3 is a rear elevational view thereof;

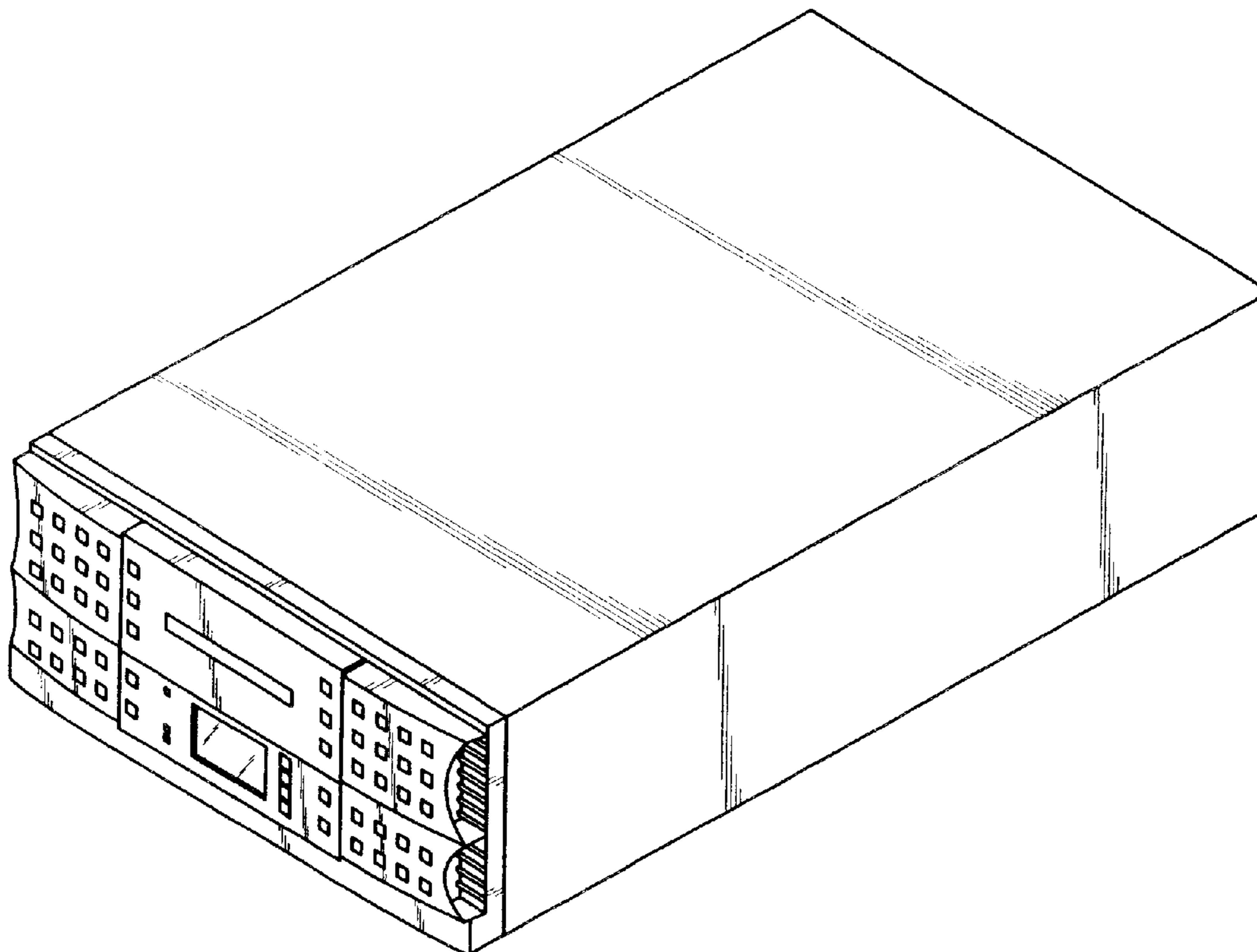
FIG. 4 is a left side elevational view thereof;

FIG. 5 is a right side elevational view thereof;

FIG. 6 is a top plan view thereof; and,

FIG. 7 is a bottom plan view thereof.

1 Claim, 4 Drawing Sheets



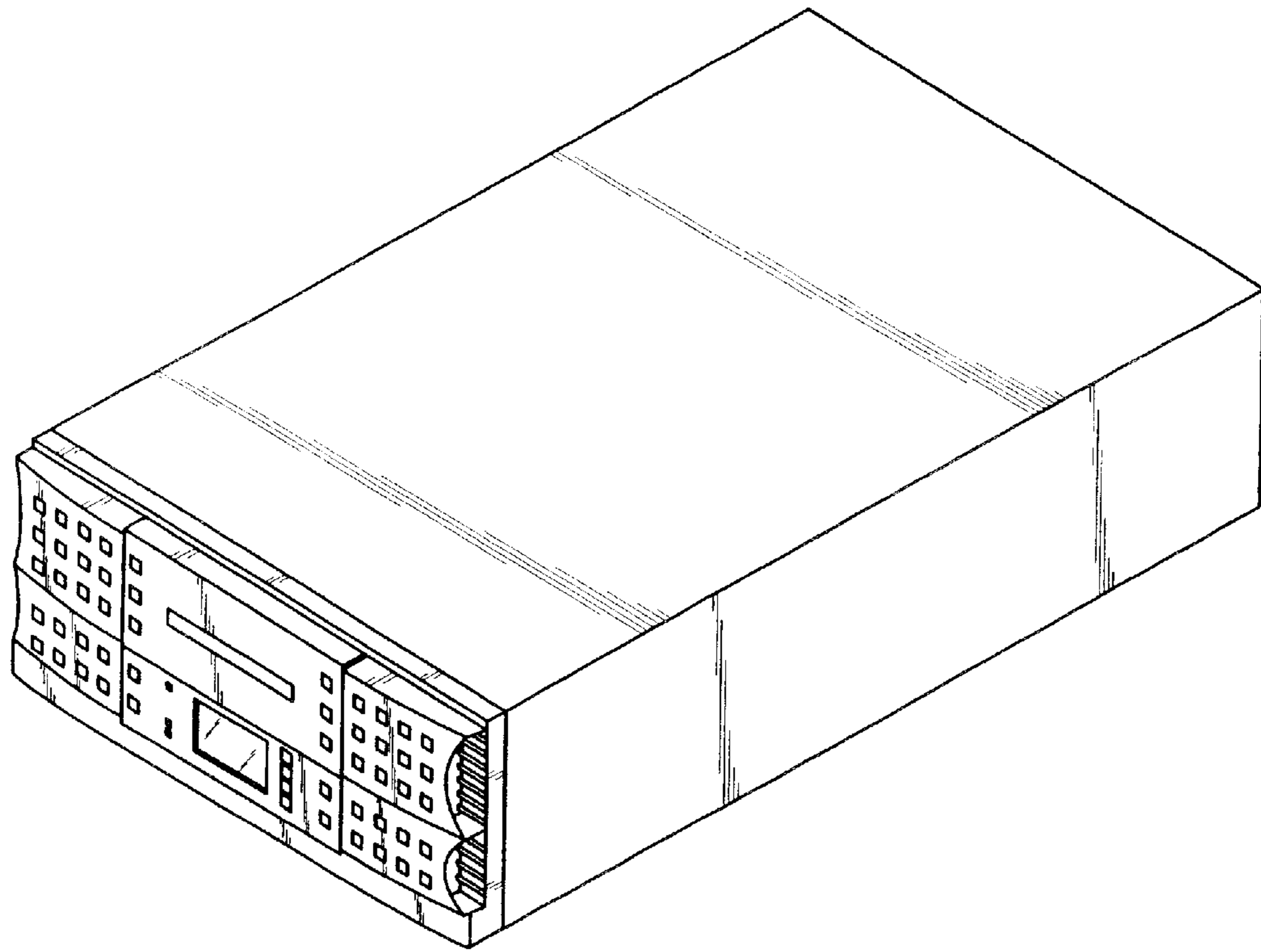


Fig. 1

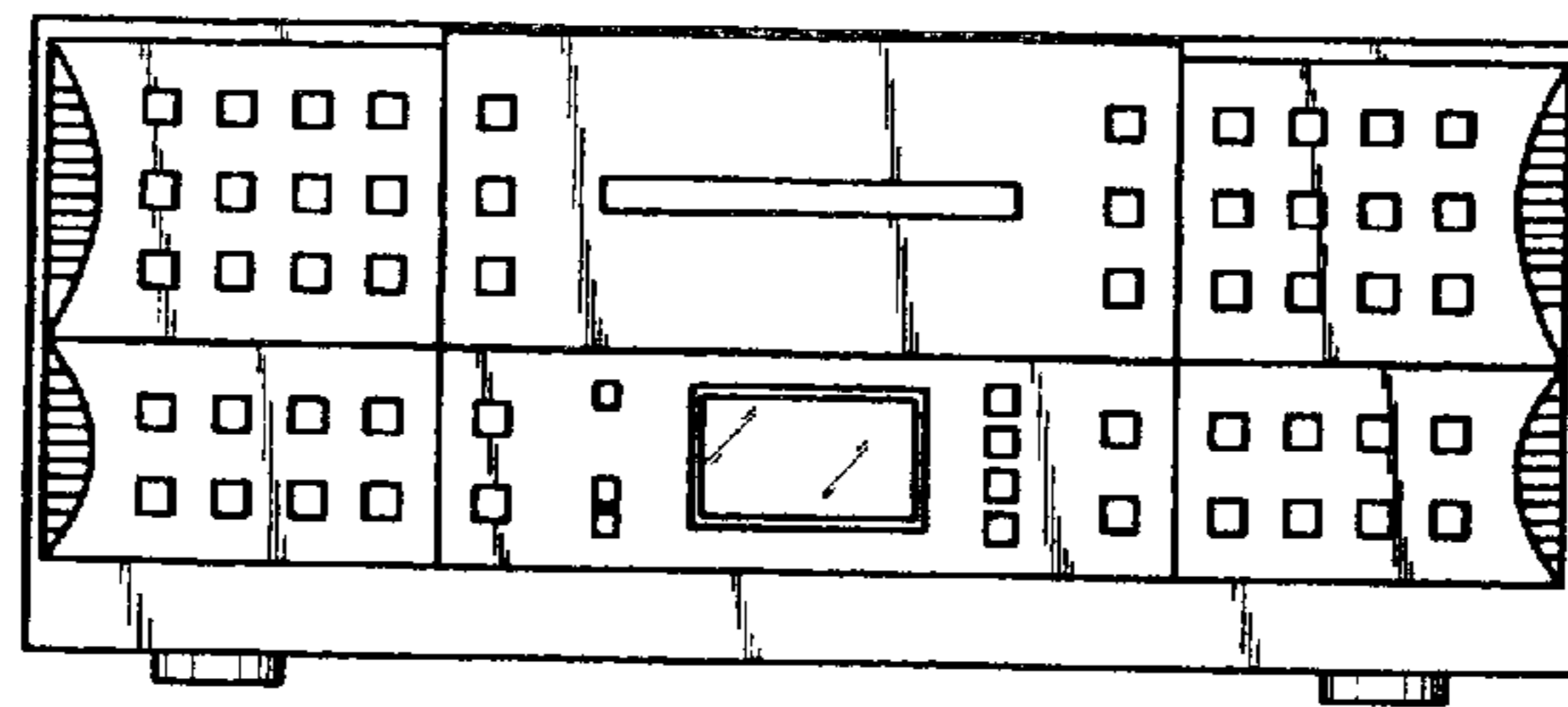


Fig. 2

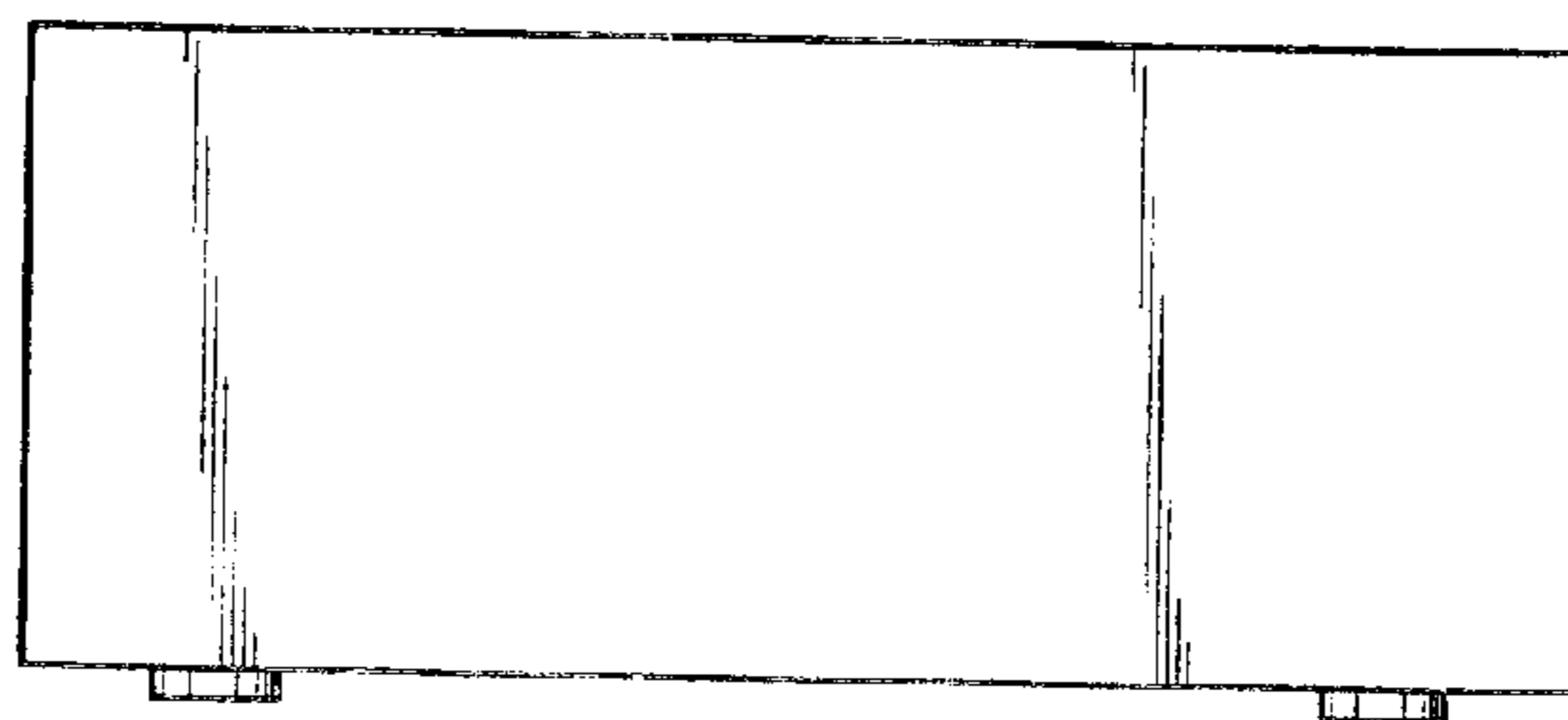


Fig. 3

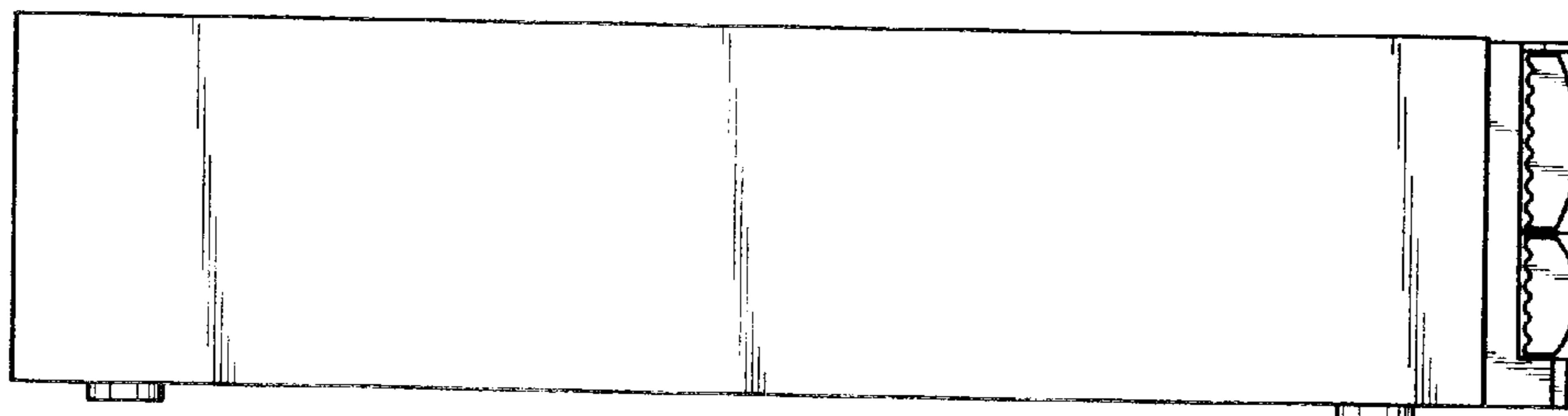


Fig. 4

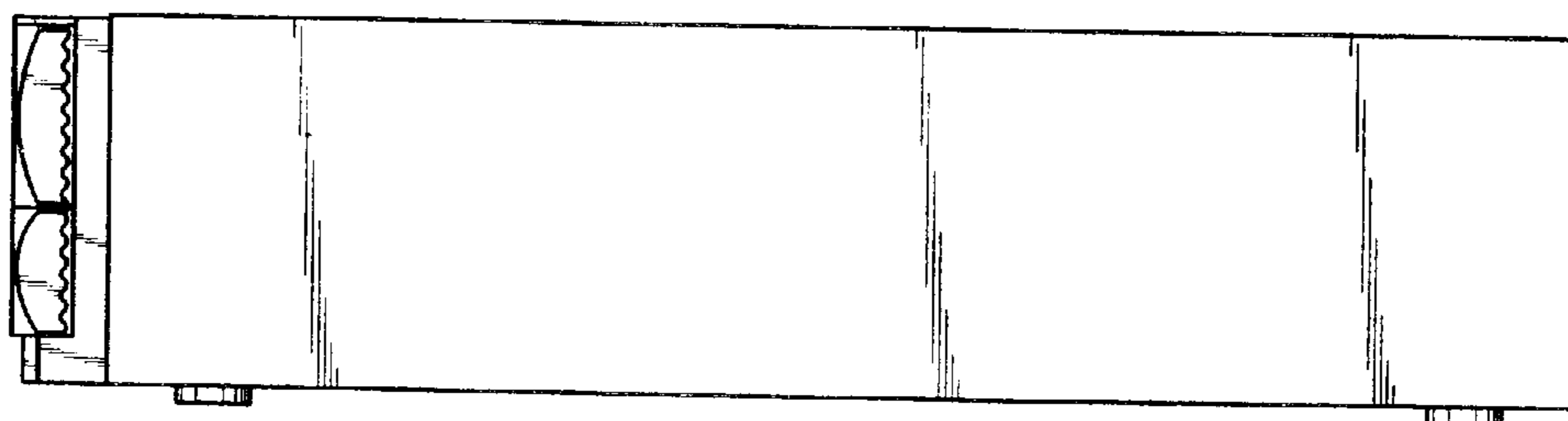


Fig. 5

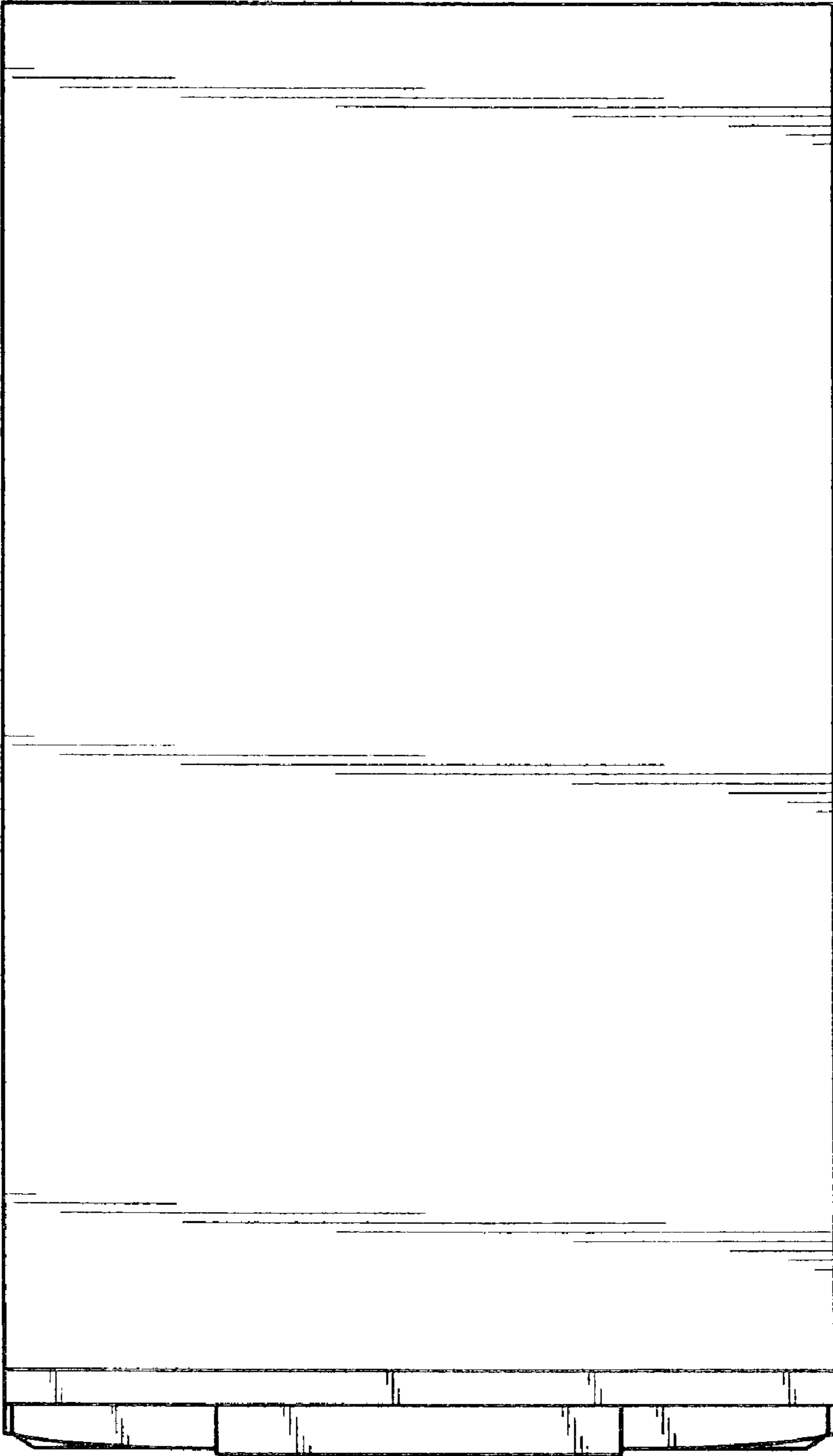


Fig. 6

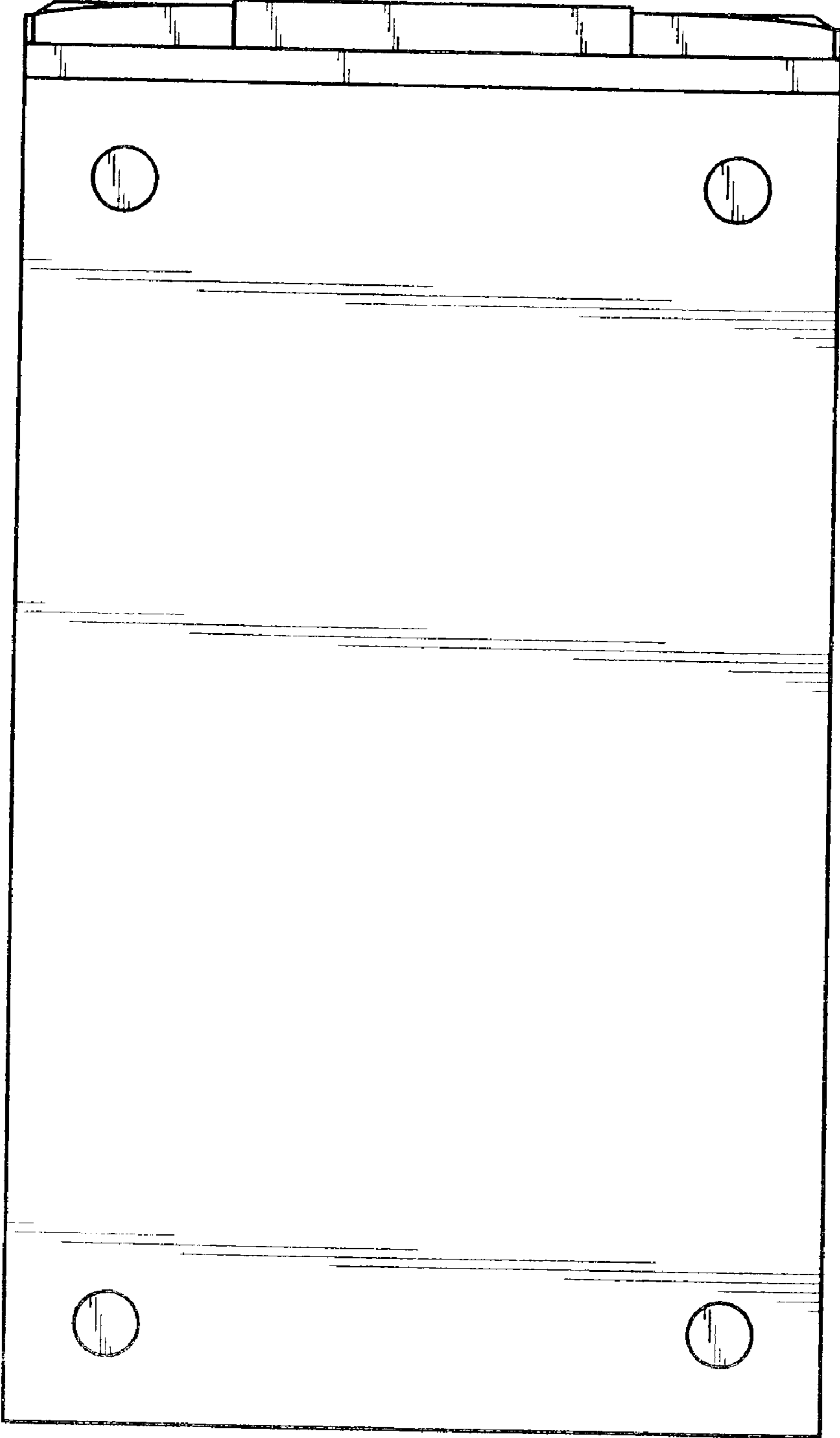


Fig. 7