

US00D515559S

(12) **United States Design Patent**
Dierkes

(10) **Patent No.: US D515,559 S**
(45) **Date of Patent: ** Feb. 21, 2006**

(54) **WATER BALLASTED SATELLITE DISH MOUNT**

D157,319 S * 2/1950 Bair D6/349
3,664,275 A * 5/1972 Kleinert 108/150
D301,249 S * 5/1989 Olson D16/244
D475,995 S * 6/2003 Hsieh D14/229

(76) **Inventor: Barry Dierkes, 729 W. Anaheim St.,
Unit B, Long Beach, CA (US) 90813**

* cited by examiner

(**) **Term: 14 Years**

Primary Examiner—Louis S. Zarfes
Assistant Examiner—John Windmuller

(21) **Appl. No.: 29/189,454**

(74) **Attorney, Agent, or Firm**—Michael Bak-Boychuk

(22) **Filed: Sep. 5, 2003**

(57) **CLAIM**

(51) **LOC (8) Cl. 14-03**

I claim the ornamental design for a water ballasted satellite dish mount, substantially as shown and described.

(52) **U.S. Cl. D14/238**

(58) **Field of Classification Search** D14/230–238,
D14/299; D6/495–499, 329, 349, 352, 363,
D6/364, 366; D16/244, 245; D21/796; 343/773,
343/781 R, 818, 838, 840, 874, 878, 887,
343/890

DESCRIPTION

See application file for complete search history.

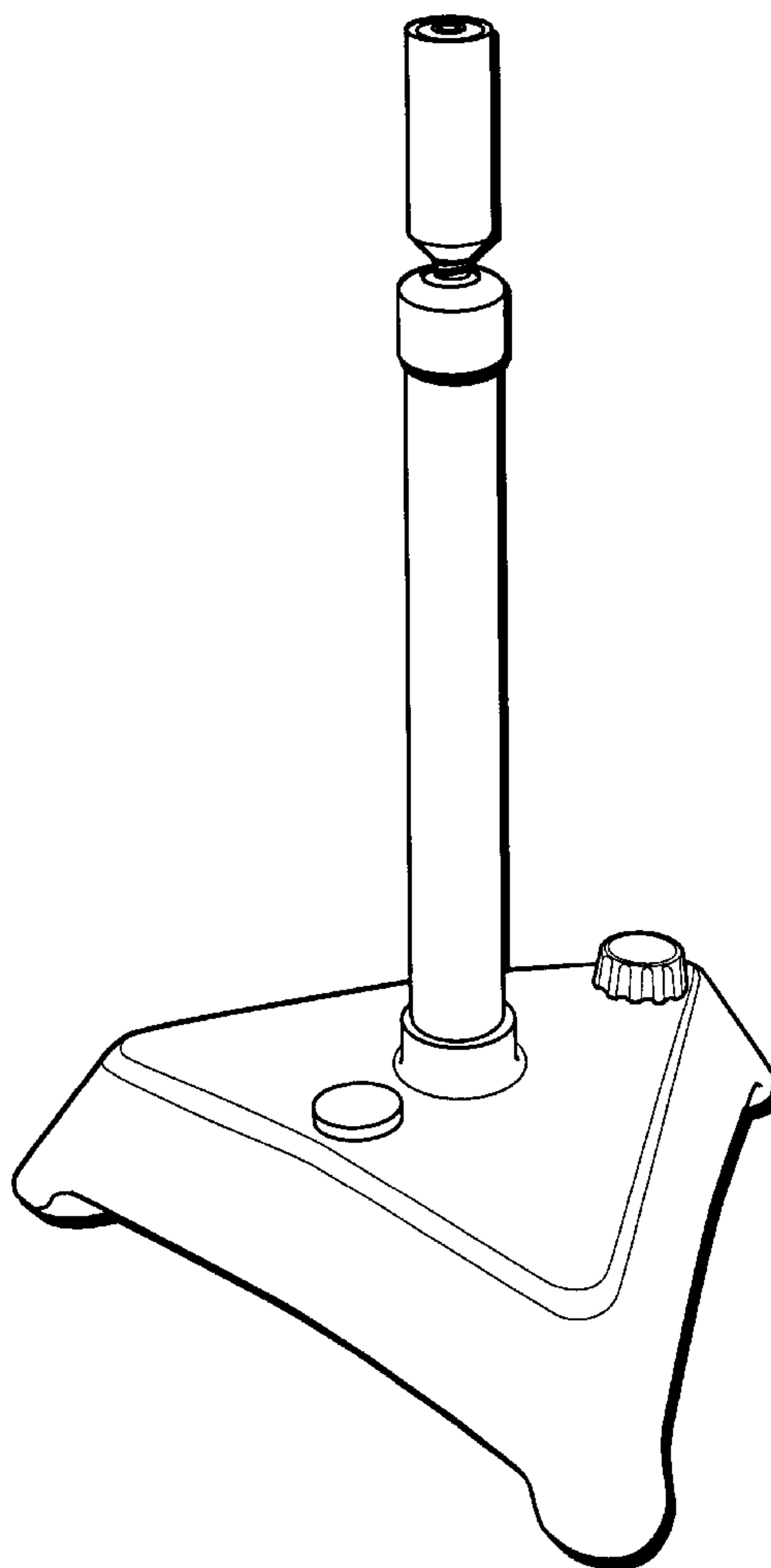
FIG. 1 is a perspective illustration of the inventive mount;
FIG. 2 is a top view of the inventive mount;
FIG. 3 is a front view of the inventive mount;
FIG. 4 is a side view of the inventive mount, the other side
view being wholly symmetrical;
FIG. 5 is a bottom view of the inventive mount; and,
FIG. 6 is a rear view of the inventive mount.

(56) **References Cited**

U.S. PATENT DOCUMENTS

D360 S * 3/1851 Lewis et al. D6/498

1 Claim, 2 Drawing Sheets



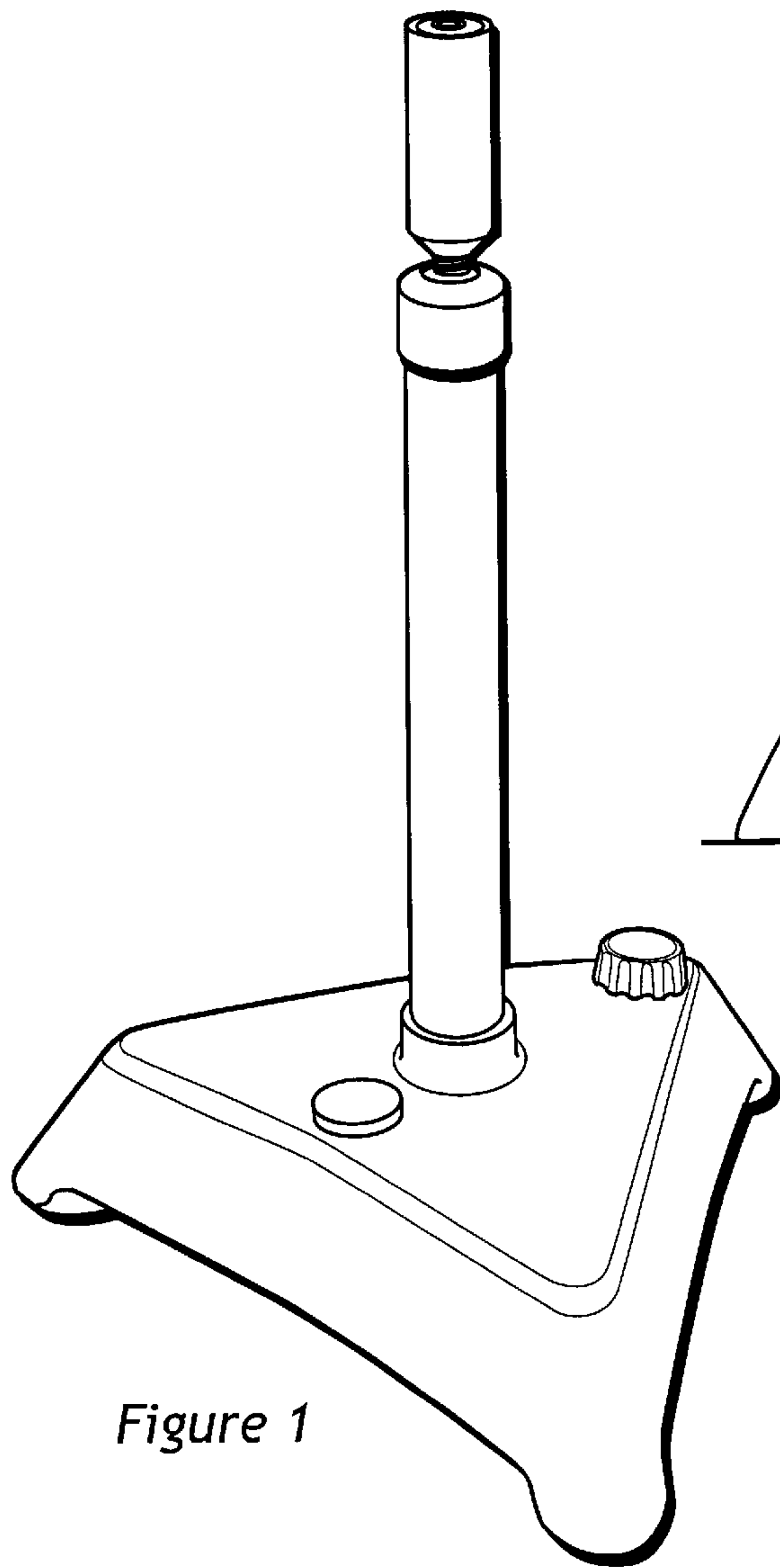


Figure 1

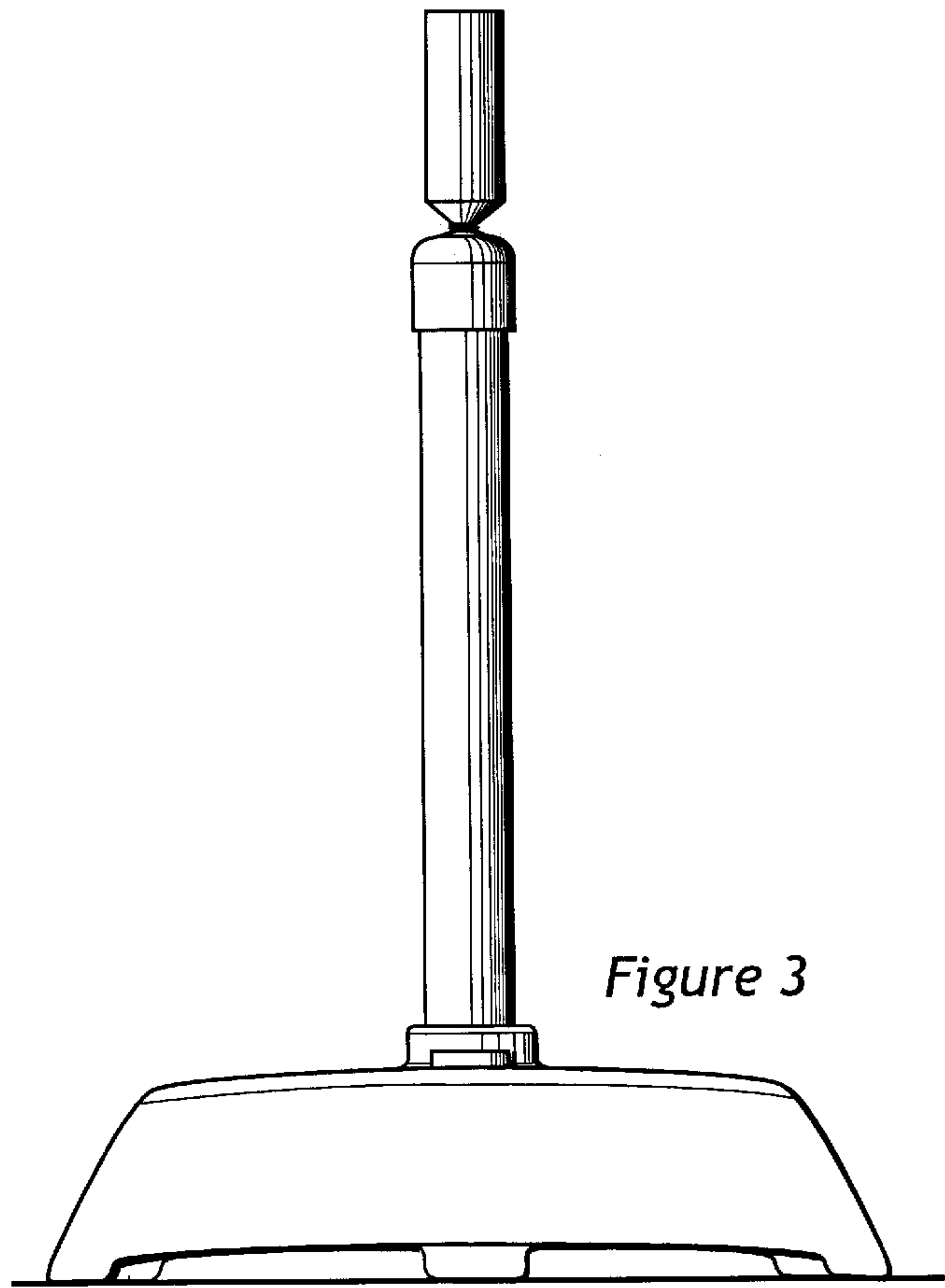


Figure 3

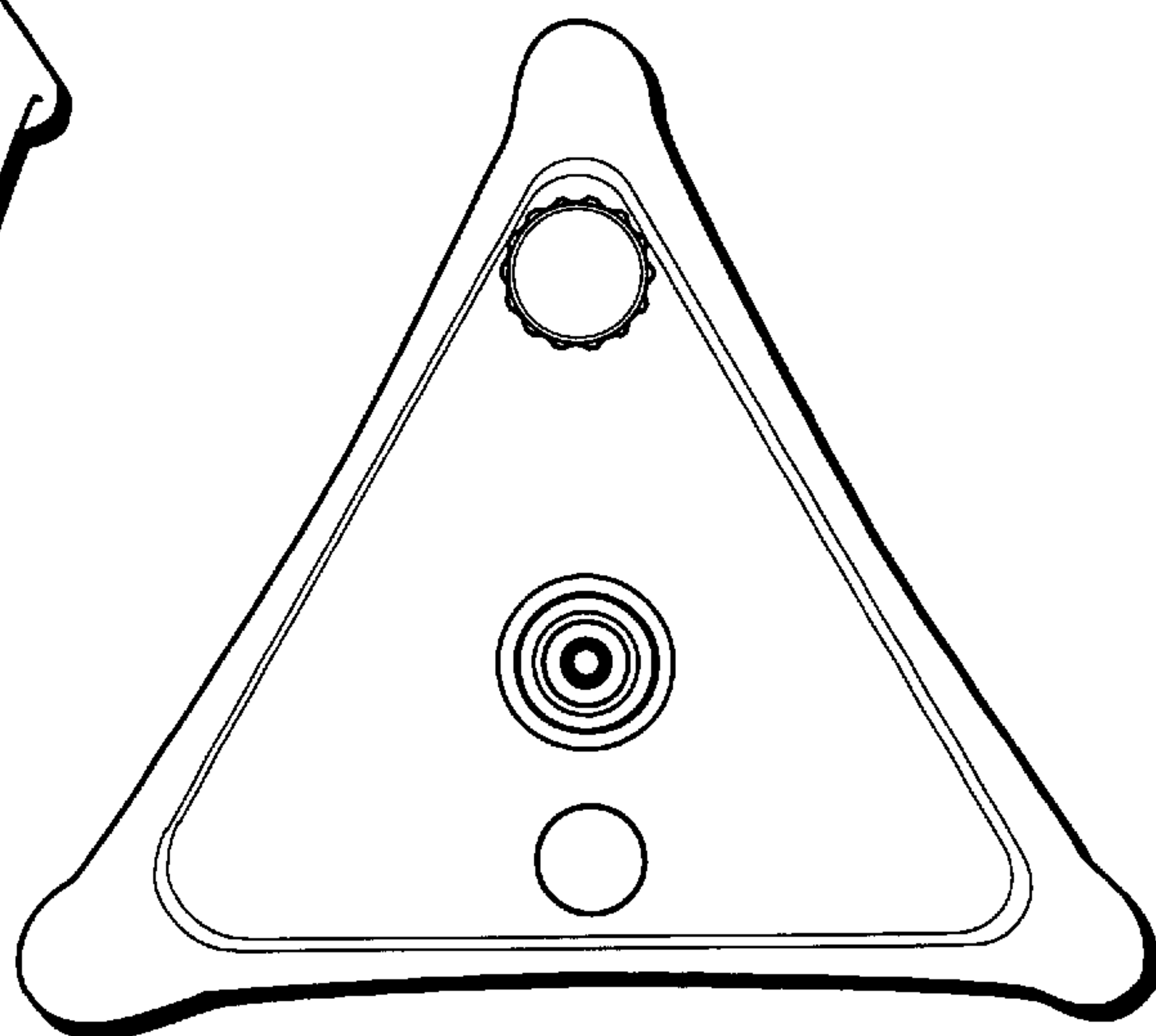


Figure 2

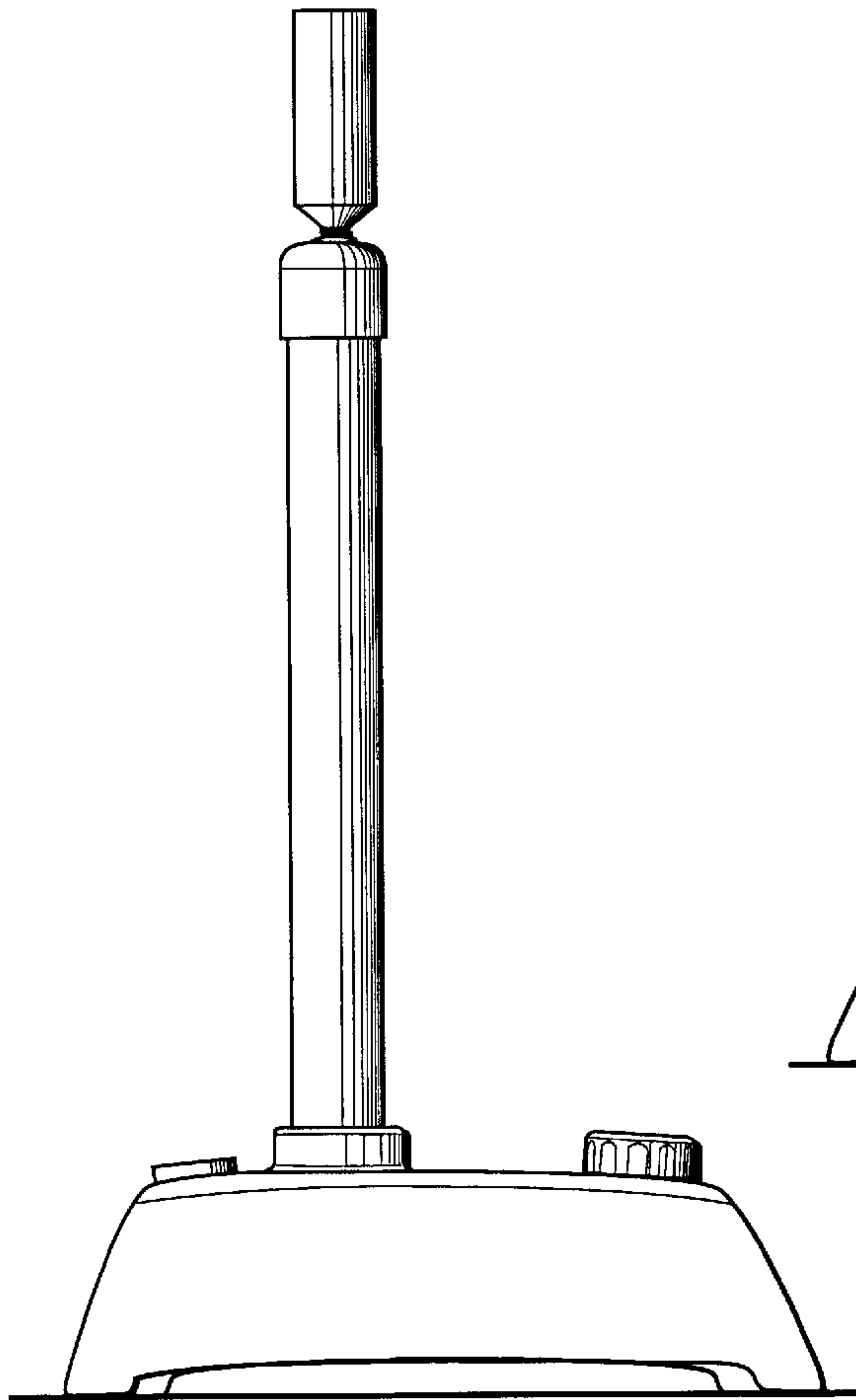


Figure 4

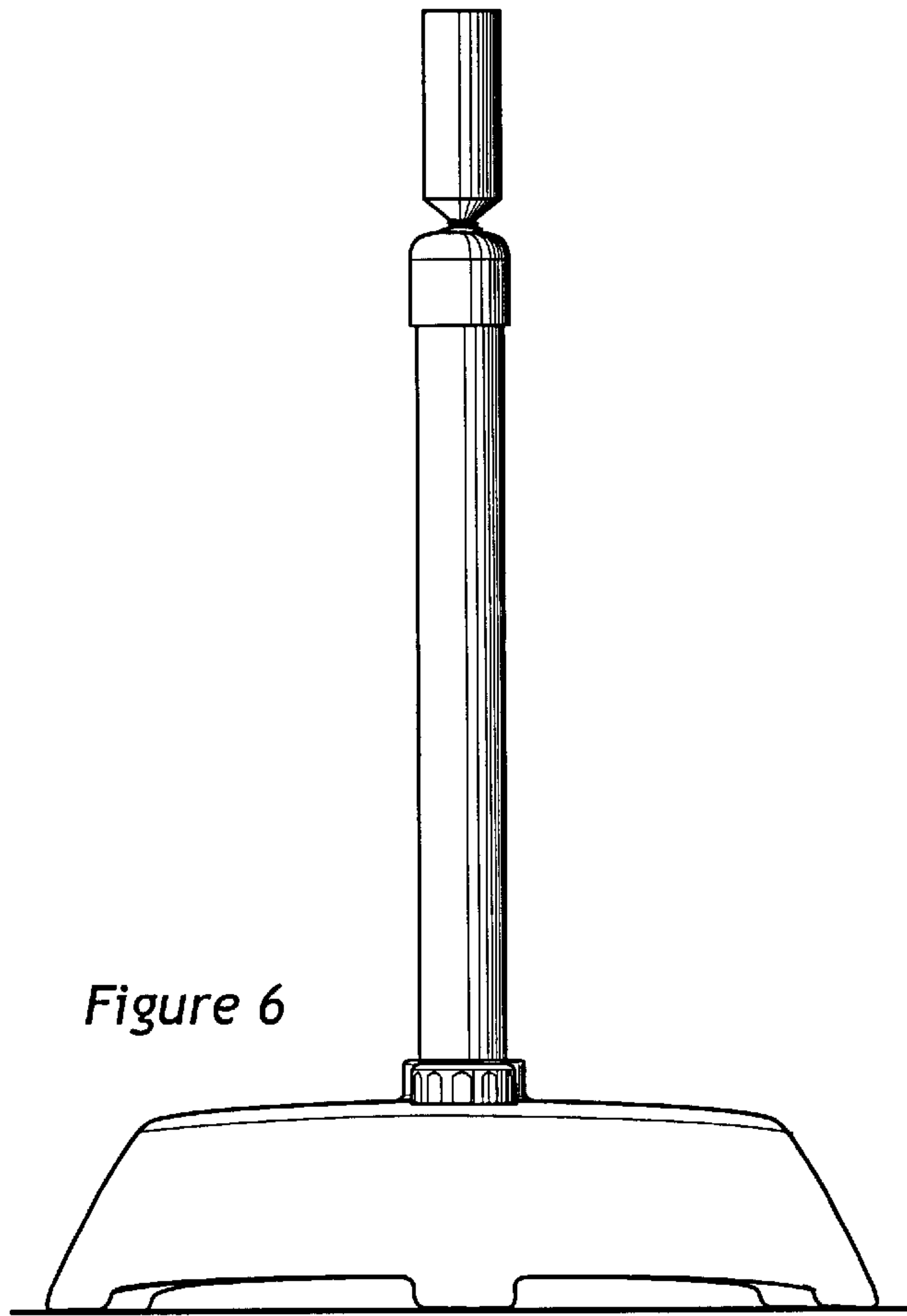


Figure 6

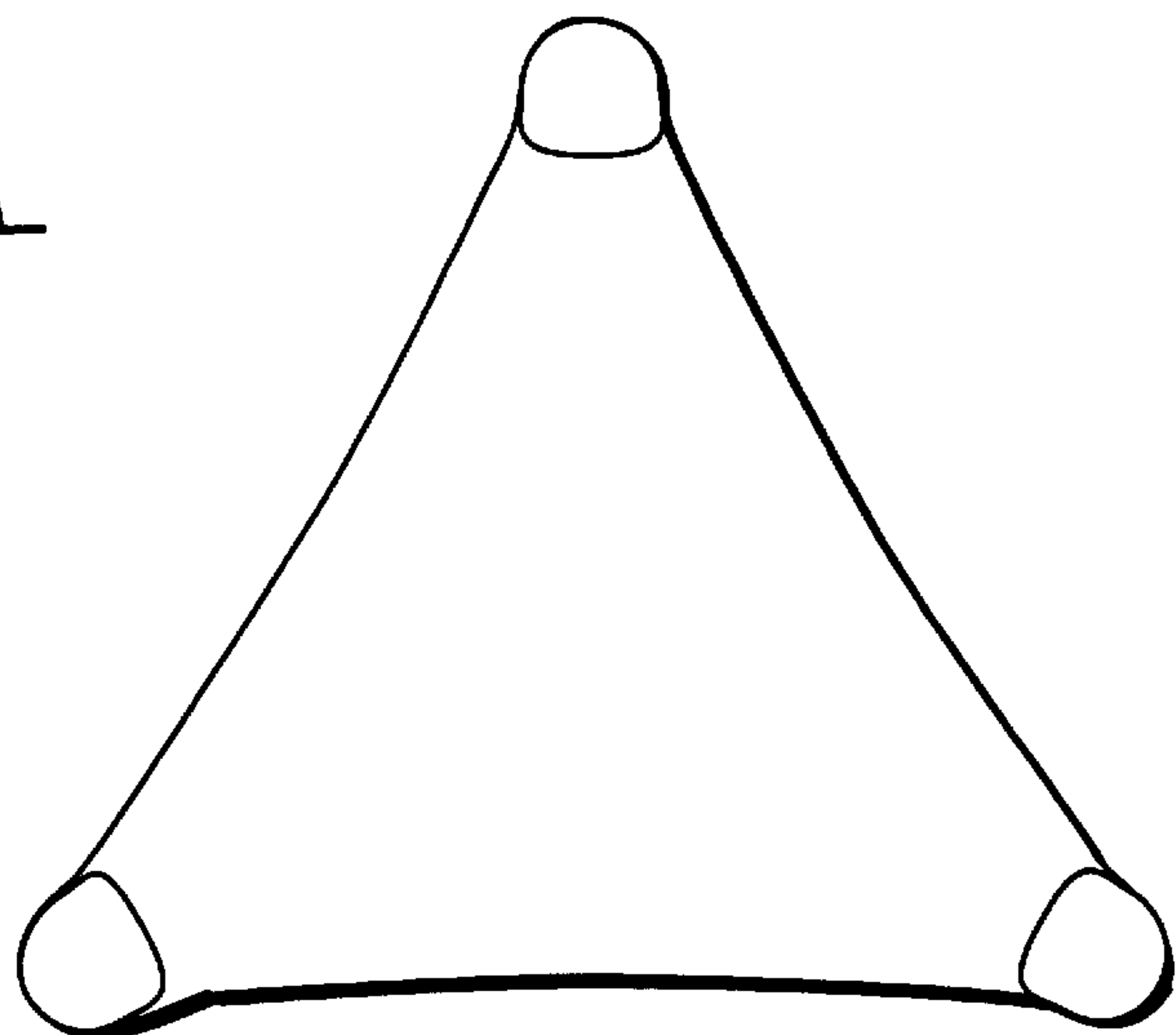


Figure 5