

US00D515558S

(12) **United States Design Patent**  
Case et al.

(10) **Patent No.:** US D515,558 S  
(45) **Date of Patent:** \*\* Feb. 21, 2006

(54) **COMBINED HANDSET AND  
ANNOUNCEMENT AND SIREN SIGNAL  
GENERATOR AND CONTROL UNIT**

(75) Inventors: **Scott E. Case**, West Henrietta, NY  
(US); **Steven W. Neufeglise**, Rochester,  
NY (US)

(73) Assignee: **Star Headlight and Lantern Co., Inc.**,  
Avon, NY (US)

(\*\*) Term: **14 Years**

(21) Appl. No.: **29/207,979**

(22) Filed: **Jun. 22, 2004**

(51) **LOC (8) Cl.** ..... **14-01**

(52) **U.S. Cl.** ..... **D14/225; D10/106**

(58) **Field of Classification Search** ..... D14/225,  
D14/226, 227, 228, 229, 137-138; 379/431-434;  
381/90-91, 108, 122, 161, 168, 169, 355-357;  
181/158, 242; 455/550.1, 556; D10/104,  
D10/106, 116, 120; D13/168; 340/384.4,  
340/384.72, 384.73

See application file for complete search history.

(56) **References Cited**

**U.S. PATENT DOCUMENTS**

D234,957 S	*	4/1975	Huntington	.....	D14/225
4,054,869 A		10/1977	Smith et al.		
D249,041 S	*	8/1978	Culbertson	.....	D14/225
4,189,718 A		2/1980	Carson et al.		
D264,335 S	*	5/1982	Huntington	.....	D14/225
4,646,063 A		2/1987	Carson		
D307,907 S	*	5/1990	Siddoway et al.	.....	D14/225
D346,804 S	*	5/1994	Tokiyama	.....	D14/226
D358,108 S	*	5/1995	Yuen	.....	D10/106
D360,208 S	*	7/1995	Richards	.....	D14/204
D367,435 S		2/1996	Stewart et al.		

D376,599 S	*	12/1996	Lindeman et al.	.....	D14/225
5,831,515 A		11/1998	Stewart et al.		
D431,486 S	*	10/2000	Iseli et al.	.....	D10/106
D448,019 S	*	9/2001	Cebe et al.	.....	D14/225
D459,718 S	*	7/2002	Ma et al.	.....	D14/225
D502,698 S	*	3/2005	Mah	.....	D14/226

**OTHER PUBLICATIONS**

Signal Vehicle Products, LCS550 Micro-Tone Siren Amplifier & Light Controller, Installation and Operating Instructions, 2002.

\* cited by examiner

*Primary Examiner*—Paula A. Greene

(74) *Attorney, Agent, or Firm*—Kenneth J. Lukacher;  
Martin Lukacher

(57) **CLAIM**

The ornamental design for a combined handset and announcement and siren signal generator and control unit, as shown and described.

**DESCRIPTION**

This application is related to commonly owned U.S. Design application Ser. No. 29/187,296, filed Jul. 30, 2003.

FIG. 1 is a front elevational view of a combined handset and electronic announcement and siren generator and control unit incorporating our new design, the cord is drawn broken away for purposes of illustration;

FIG. 2 is a right side elevational view thereof;

FIG. 3 is a left side elevational view thereof;

FIG. 4 is a front perspective view from the left thereof;

FIG. 5 is a front perspective view from the right thereof;

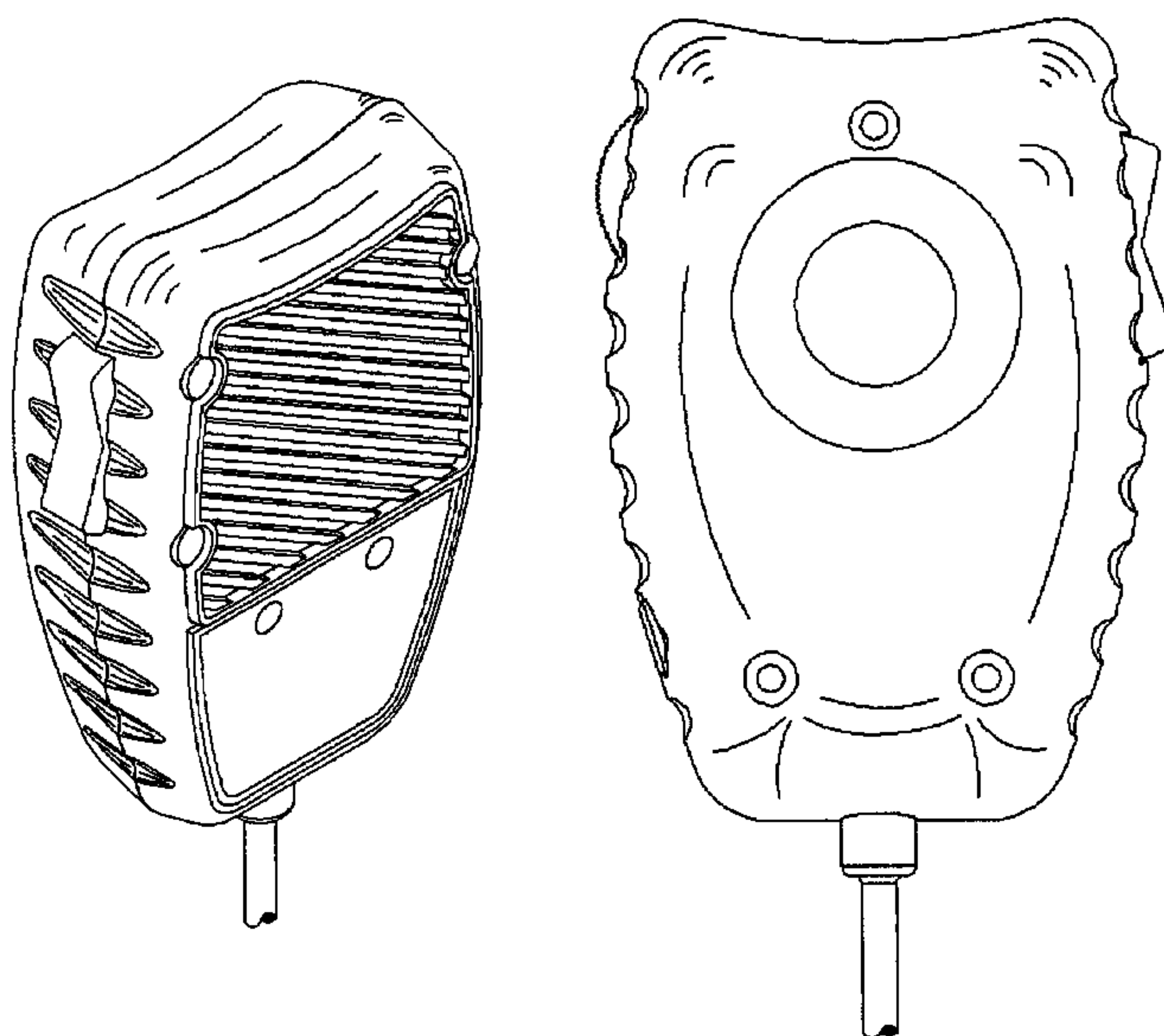
FIG. 6 is a top plan view thereof.

FIG. 7 is a bottom plan view thereof;

FIG. 8 is a back elevational view thereof; and,

FIG. 9 is a perspective view from the back thereof.

**1 Claim, 4 Drawing Sheets**



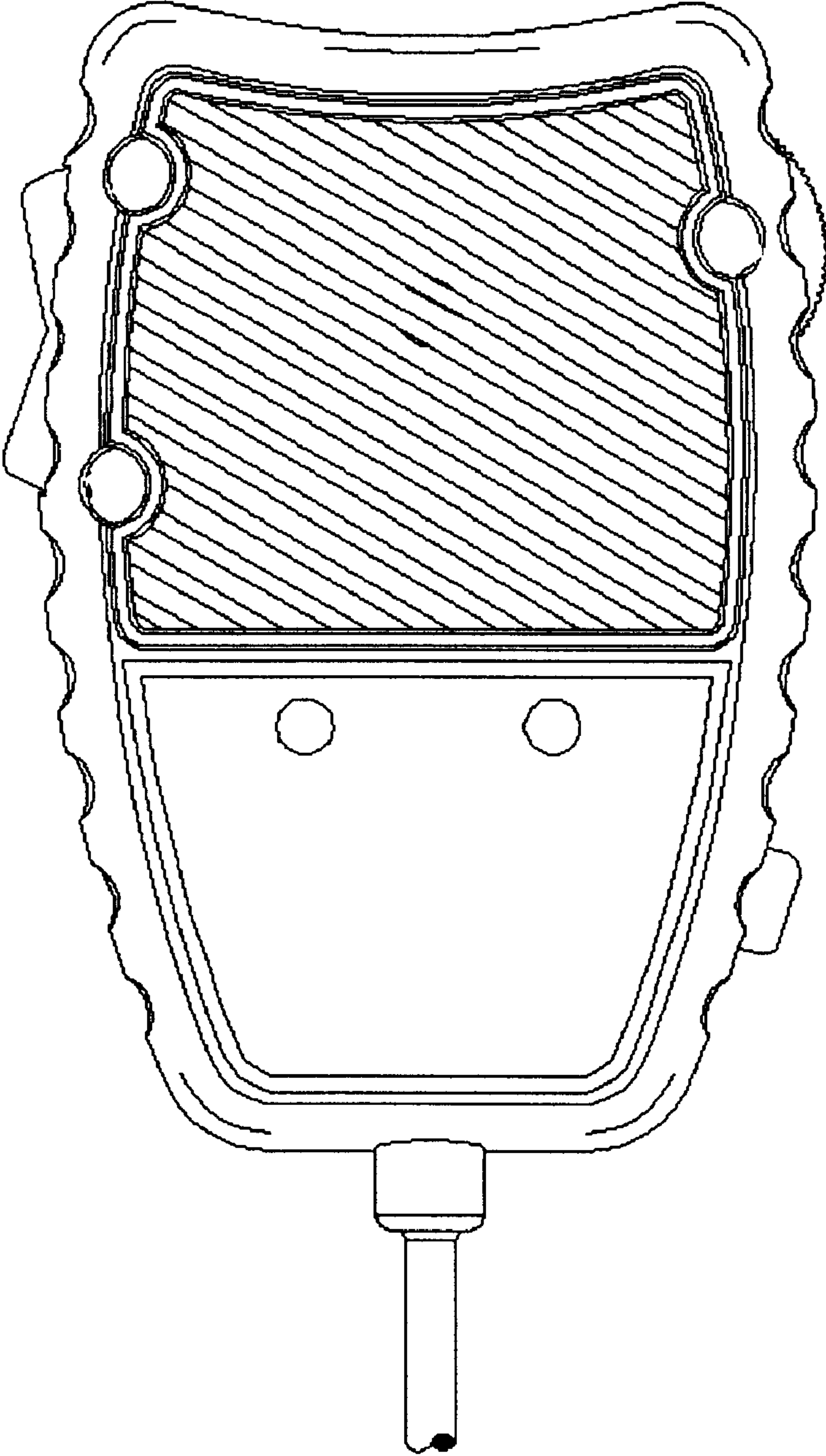


FIG. 1

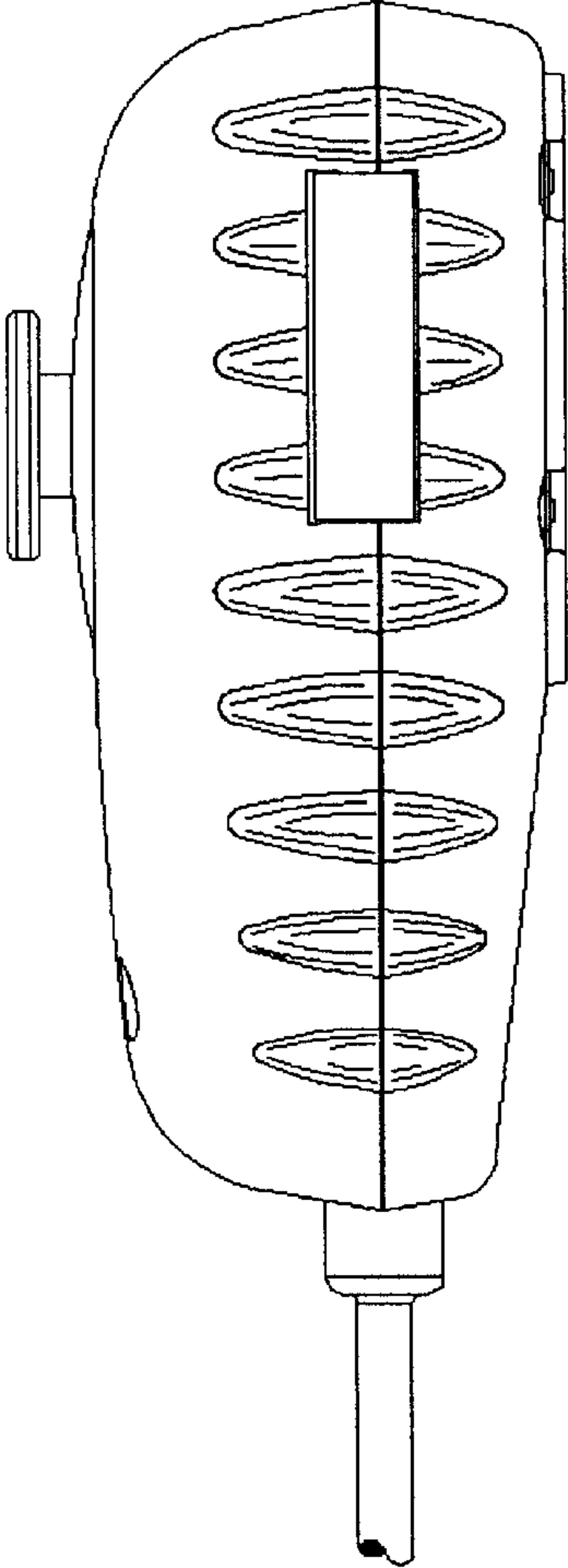


FIG. 2

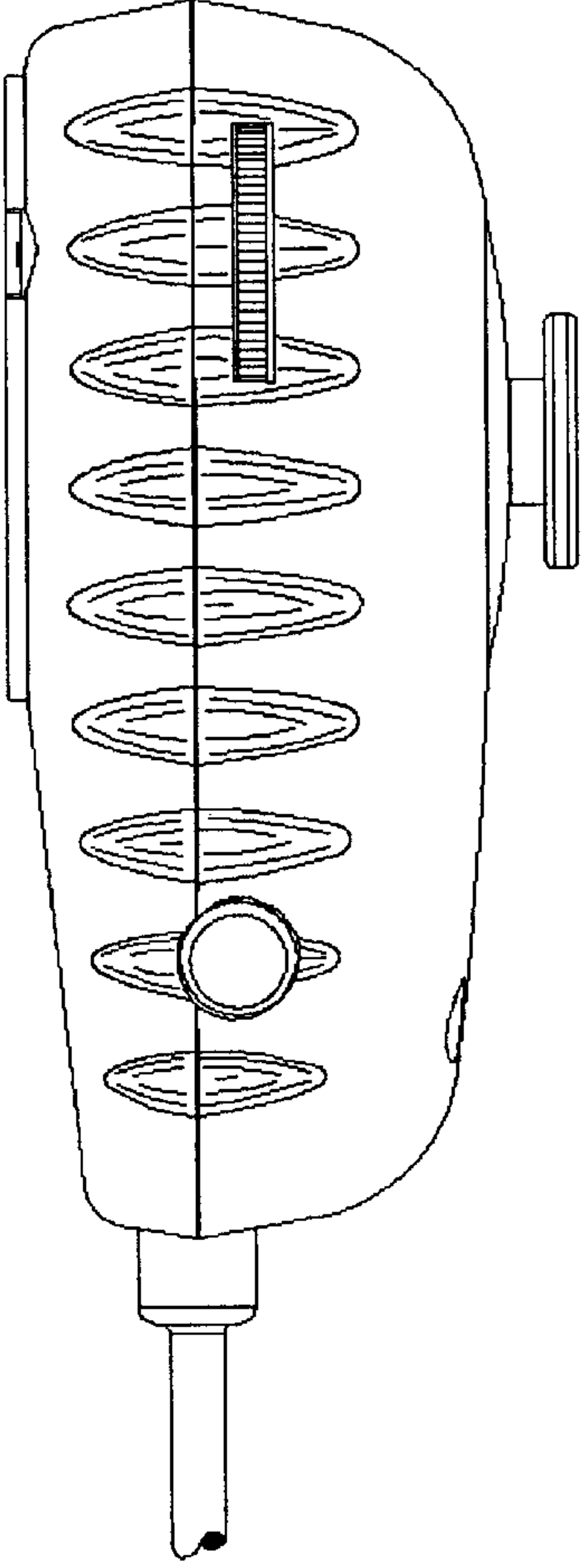


FIG. 3



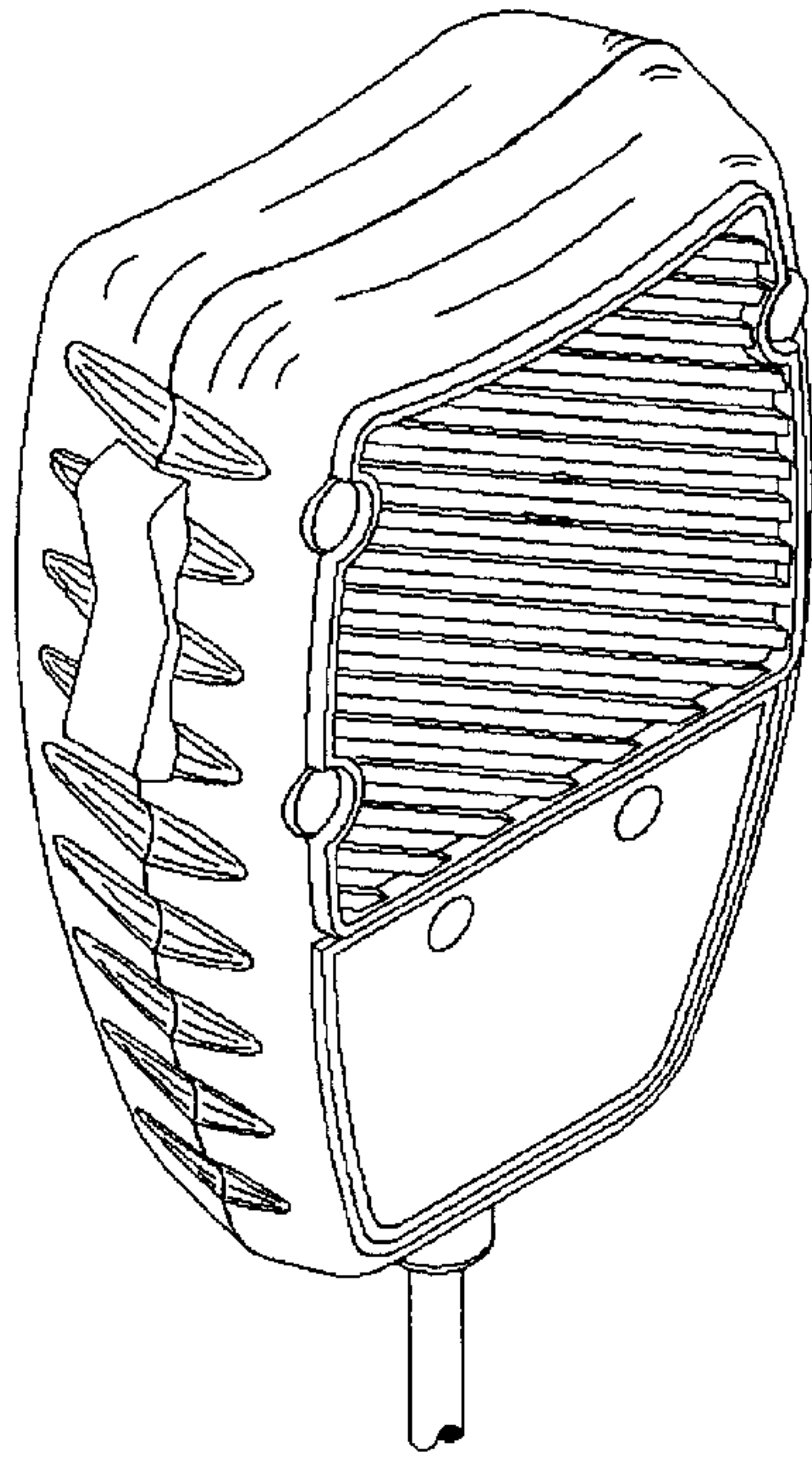


FIG. 4

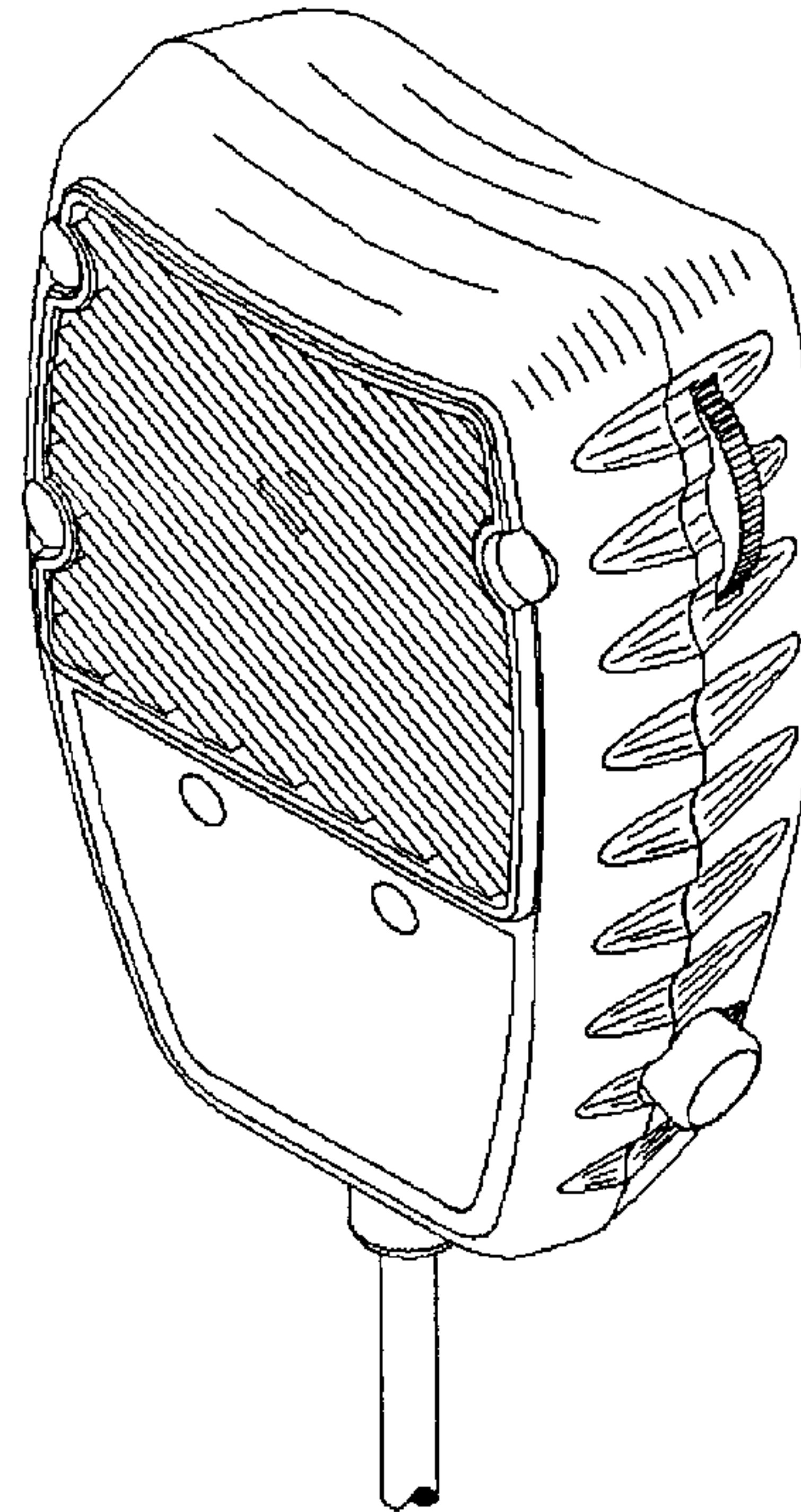


FIG. 5

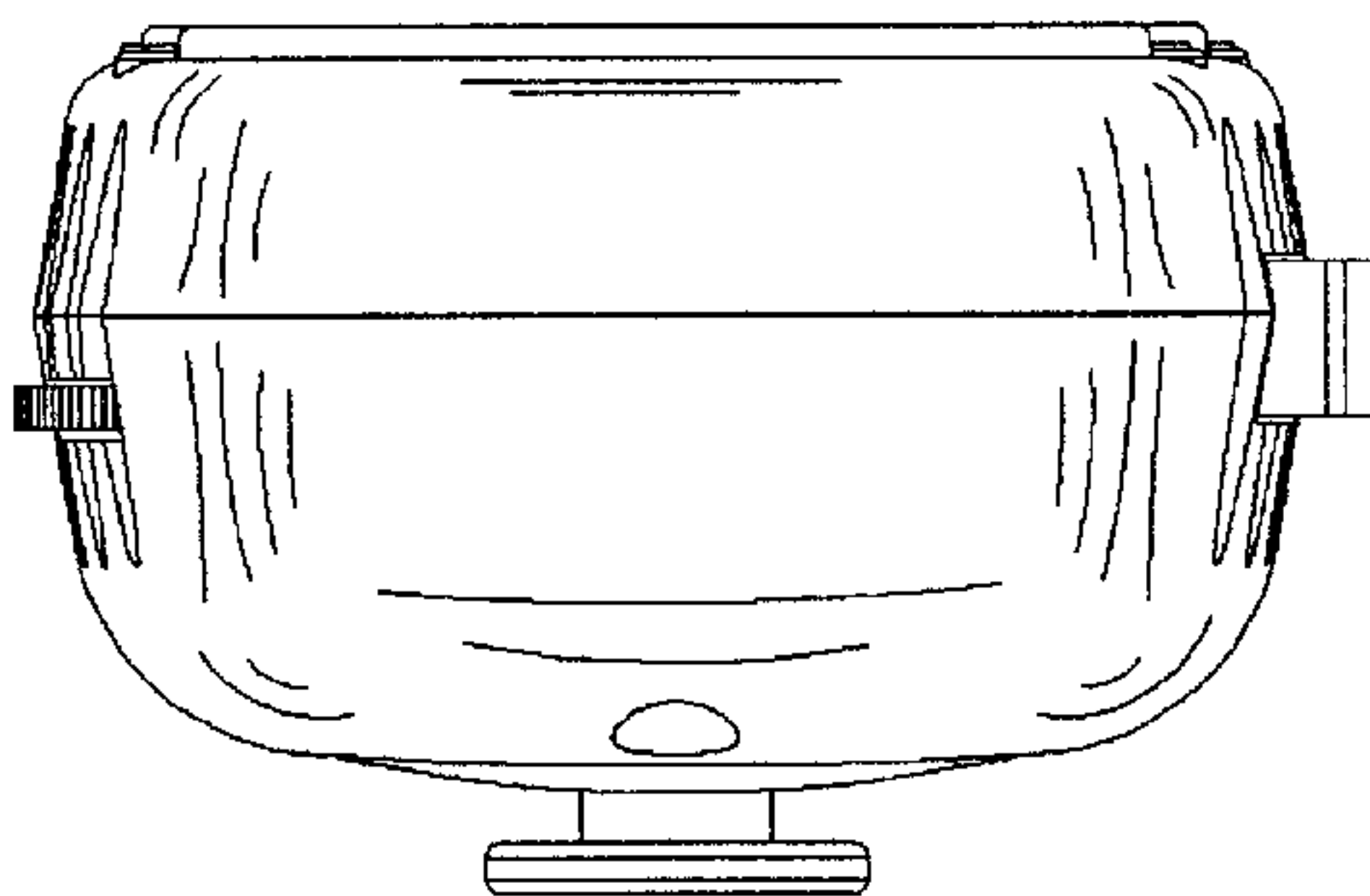


FIG. 6

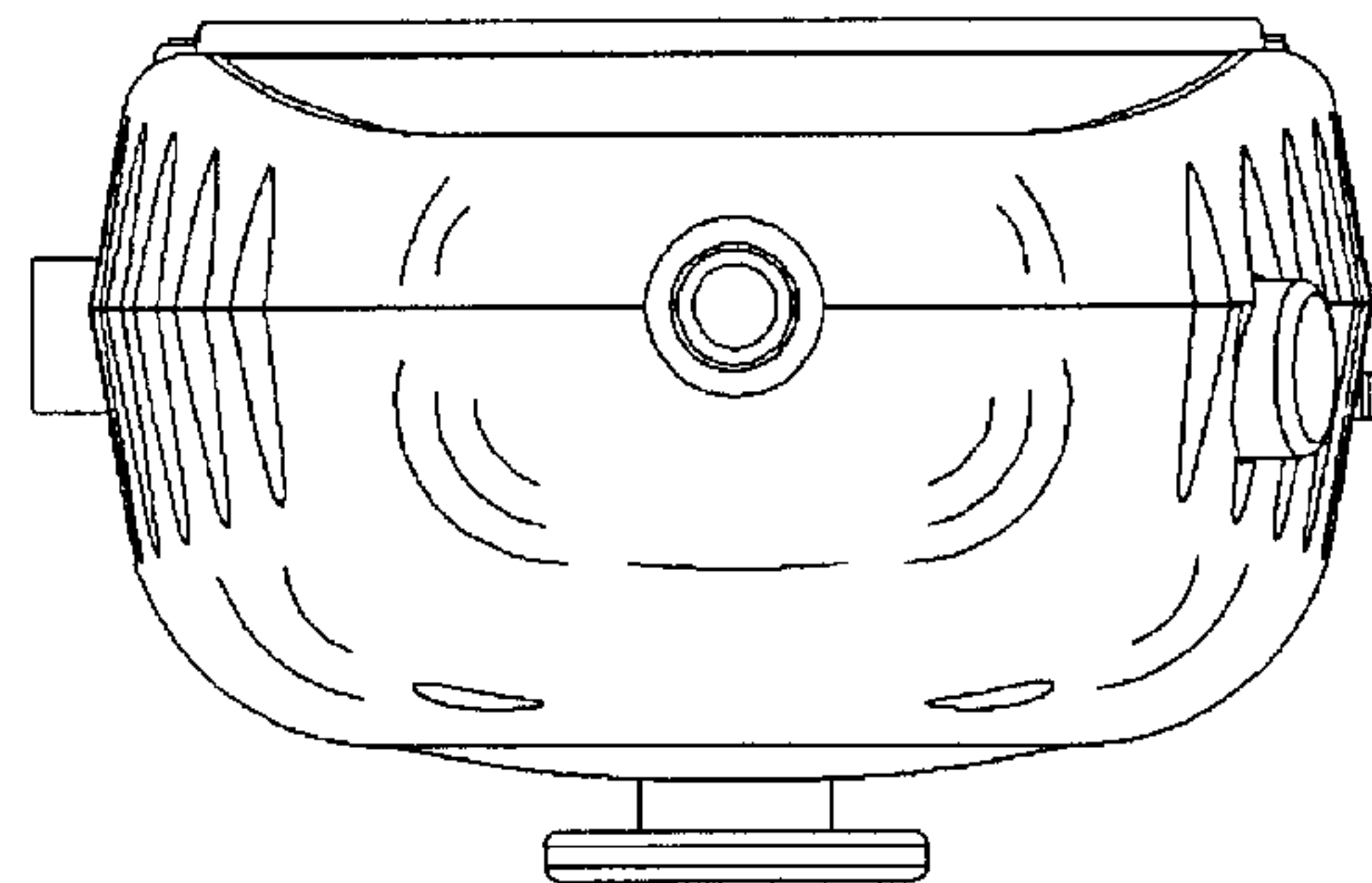


FIG. 7

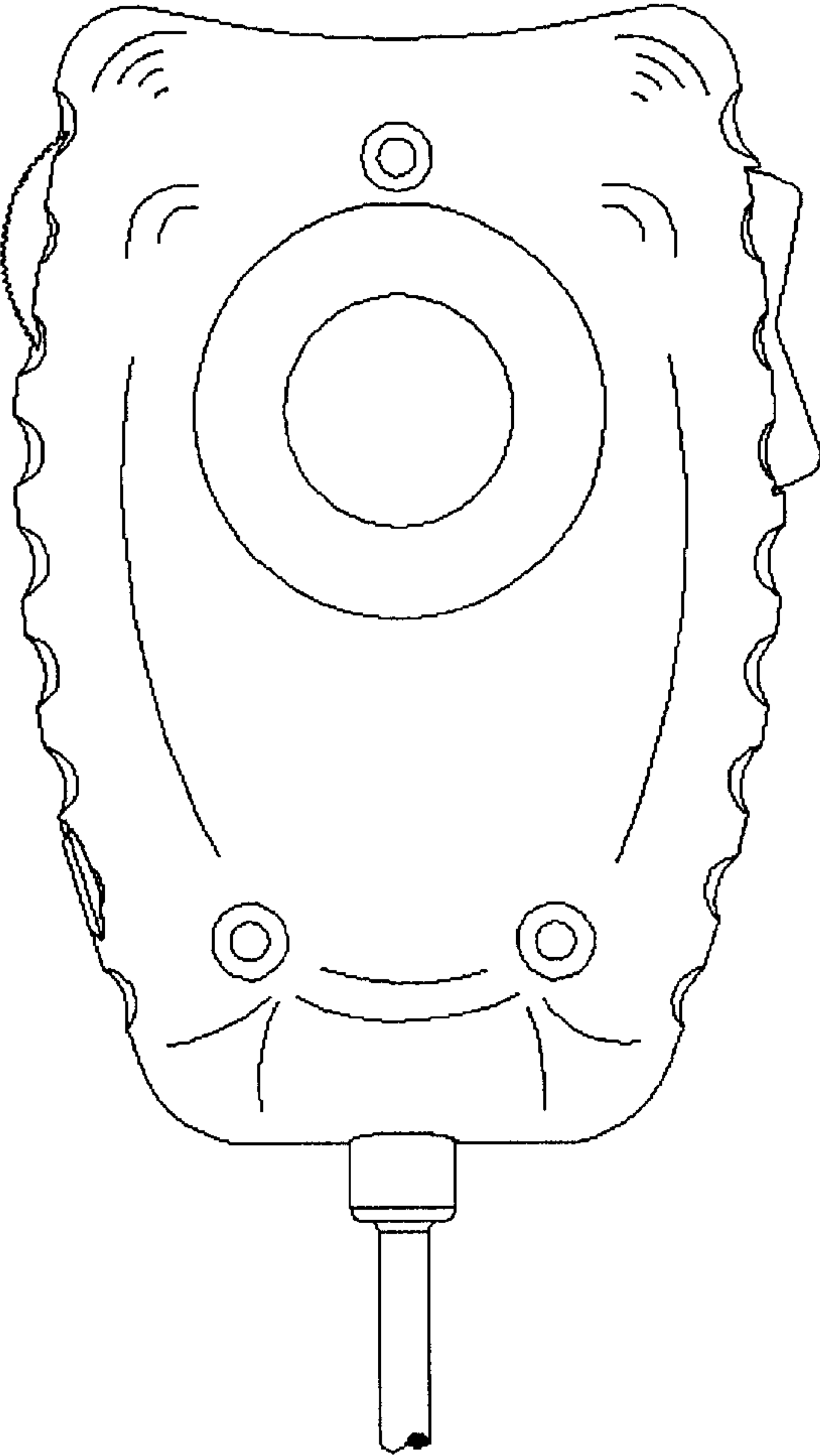


FIG. 8

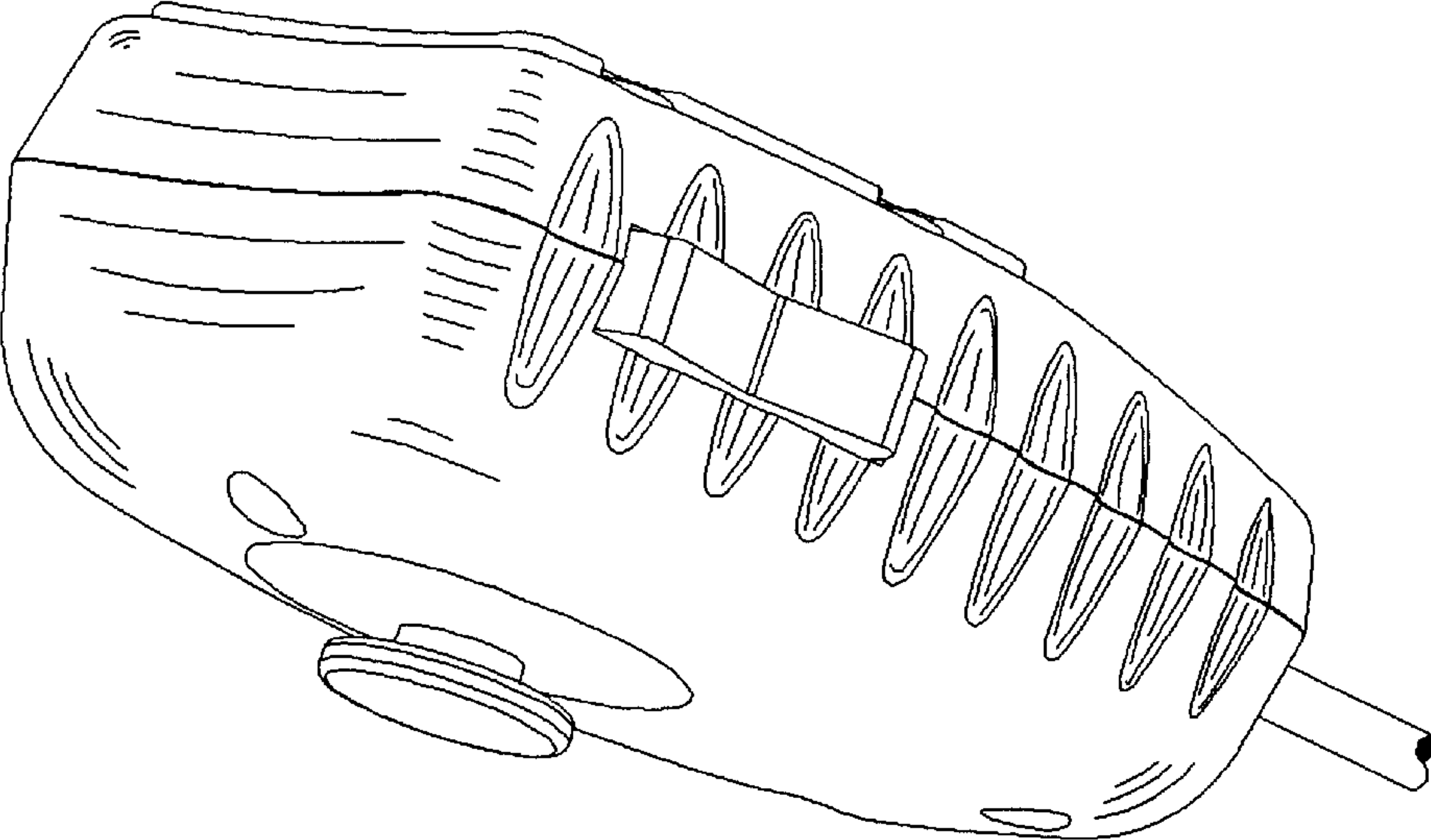


FIG. 9