



US00D515553S

(12) **United States Design Patent**
Tragatschnig

(10) **Patent No.:** **US D515,553 S**

(45) **Date of Patent:** **** Feb. 21, 2006**

(54) **DIGITAL RADIO**

(75) **Inventor:** **Joerg Tragatschnig, Zell am See (AT)**

(73) **Assignee:** **Eton Coporation, Palo Alto, CA (US)**

(**) **Term:** **14 Years**

(21) **Appl. No.:** **29/216,640**

(22) **Filed:** **Nov. 5, 2004**

(51) **LOC (8) Cl. 14-03**

(52) **U.S. Cl. D14/188; D14/194**

(58) **Field of Classification Search D14/188,**
D14/137, 144, 155, 162, 168, 192, 215, 194-198,
D14/265, 128; 455/344-351, 92, 93, 100;
369/6, 12; D10/1, 2, 15
See application file for complete search history.

(56) **References Cited**

U.S. PATENT DOCUMENTS

- 4,181,823 A * 1/1980 DeLamoreaux et al. 369/10
- 4,218,775 A * 8/1980 Cox et al. 455/344
- 4,676,619 A * 6/1987 Woolley 396/432
- 5,365,494 A * 11/1994 Lynch 368/10
- 5,471,659 A * 11/1995 Wong 455/132

- 5,883,859 A * 3/1999 Bentley 368/10
- D435,034 S * 12/2000 Tejima D14/168
- D459,336 S * 6/2002 Ito et al. D14/168
- D478,060 S * 8/2003 Christianson D14/188
- D478,327 S * 8/2003 Rozier D14/188
- D500,487 S * 1/2005 Concari et al. D14/188

* cited by examiner

Primary Examiner—Prabhakar Deshmukh

(74) *Attorney, Agent, or Firm*—Jones Day; Brett Lovejoy

(57) **CLAIM**

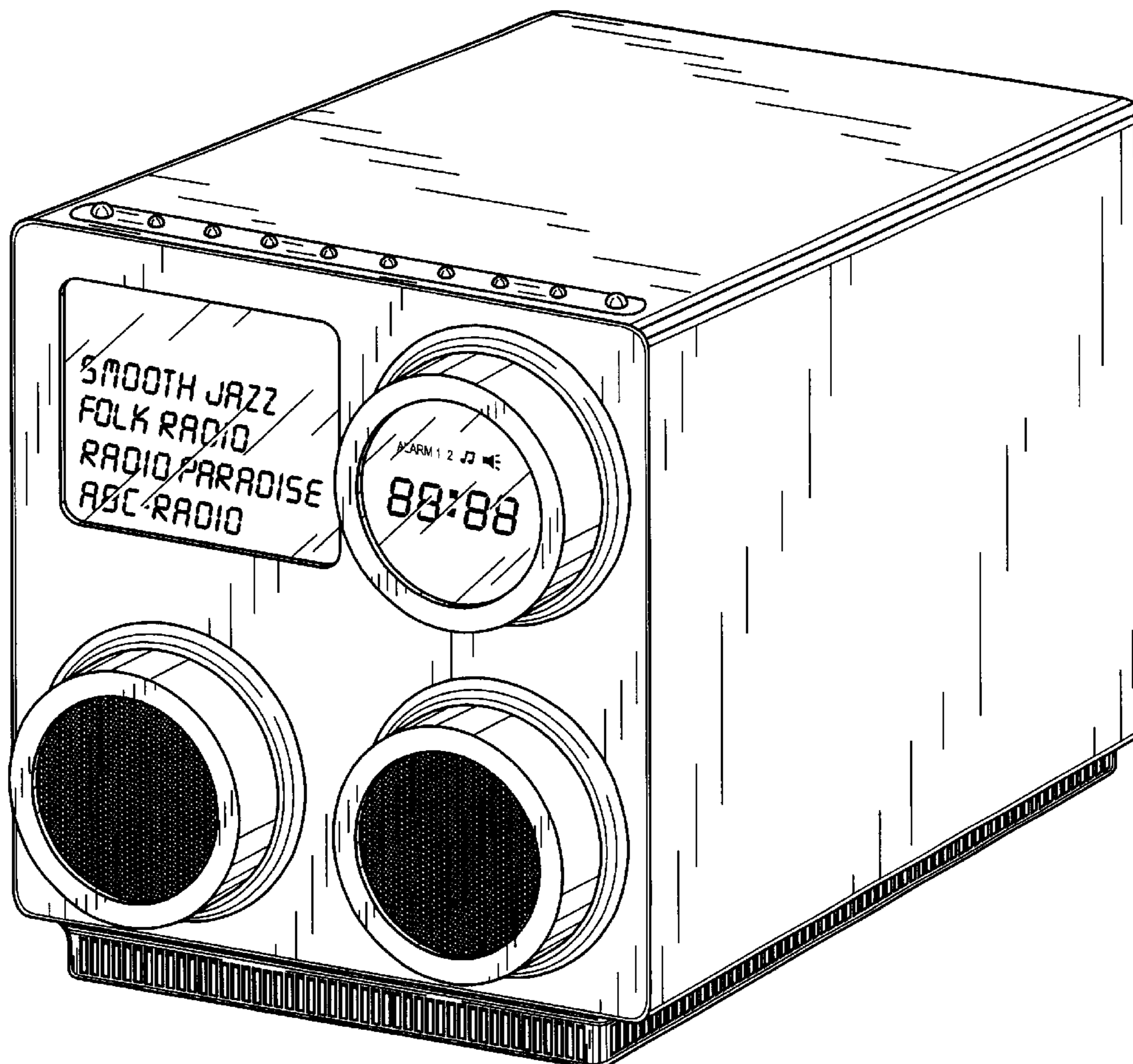
The ornamental design for a digital radio, as shown and described.

DESCRIPTION

FIG. 1 is a front perspective view of an ornamental design for a digital radio according to the present invention; FIG. 2 is a front view thereof; FIG. 3 is a rear view thereof; FIG. 4 is a side view thereof; FIG. 5 is a top view thereof; and, FIG. 6 is a bottom view thereof.

The broken lines showing of a cable is for illustrative purpose only and form no part of the claimed design.

1 Claim, 6 Drawing Sheets



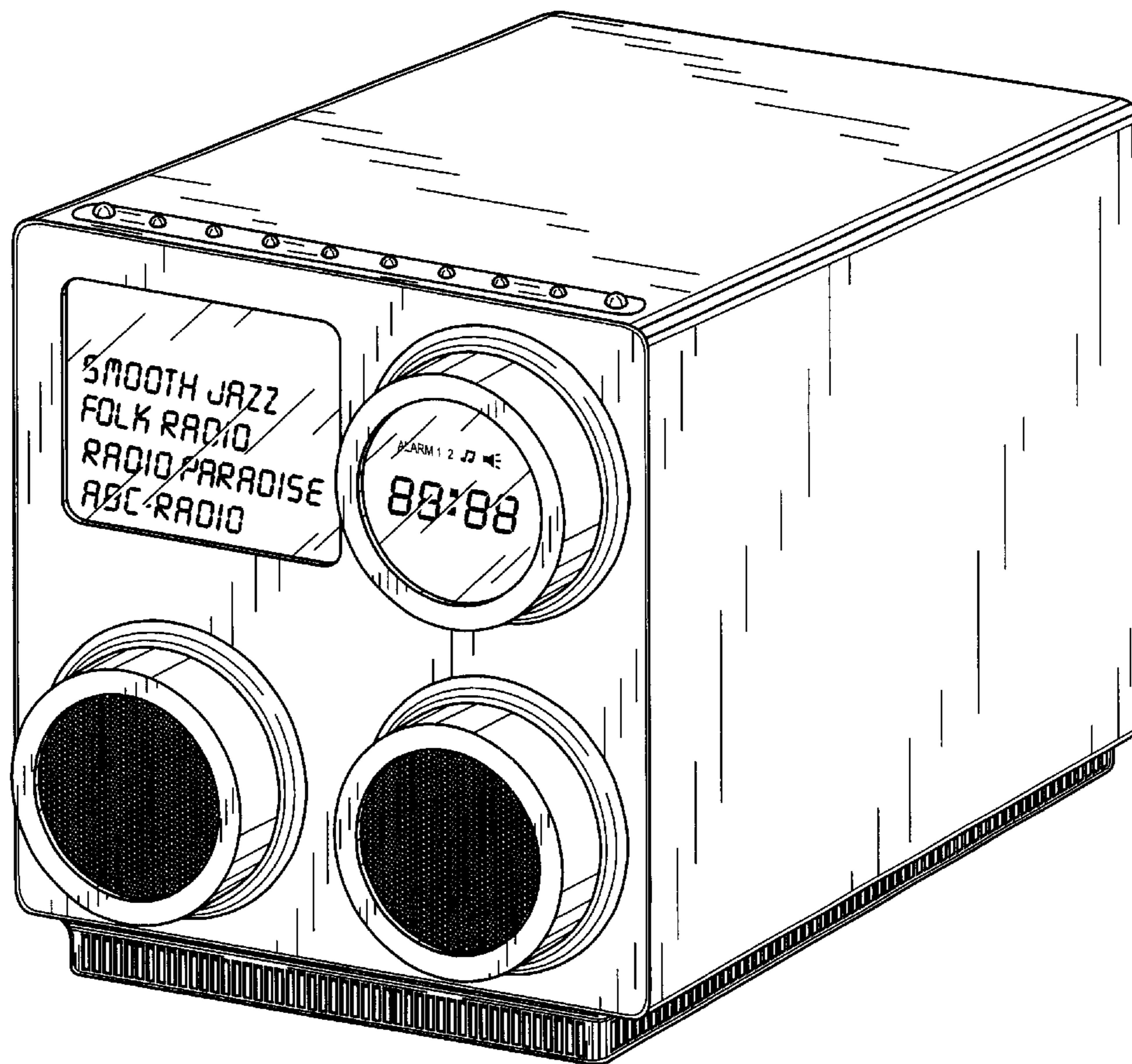


FIG. 1

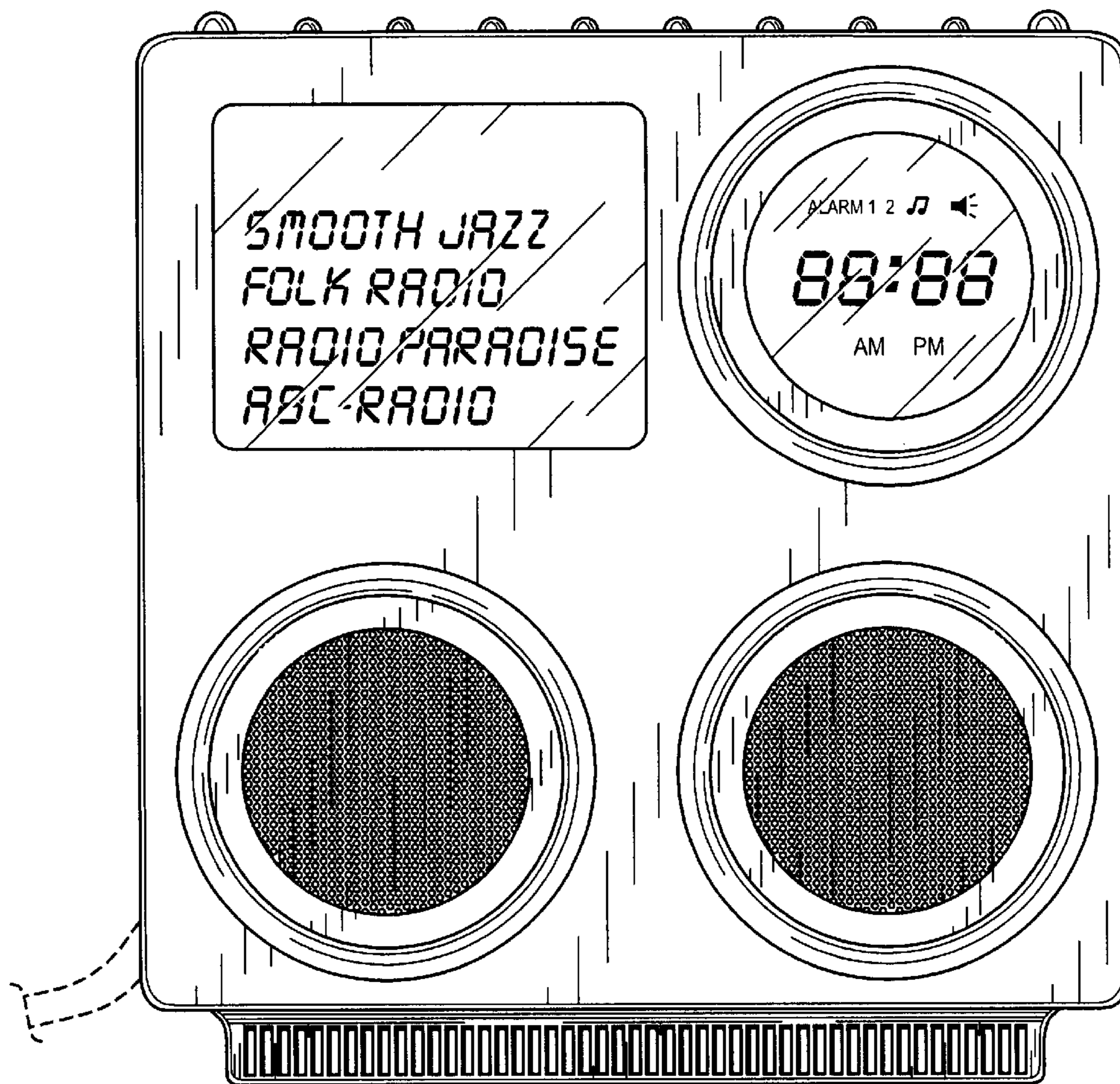


FIG. 2

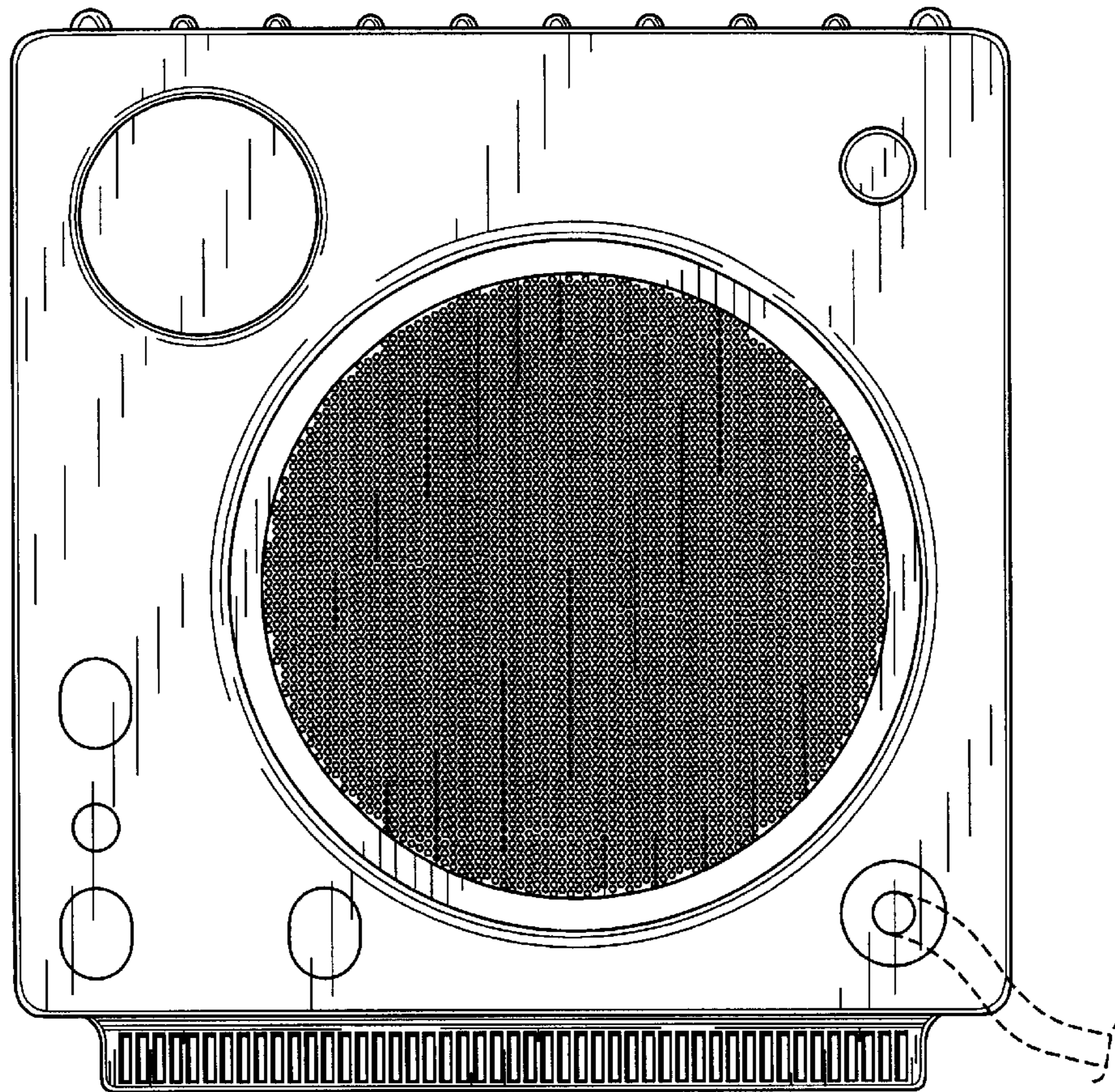


FIG. 3

FIGURE 4

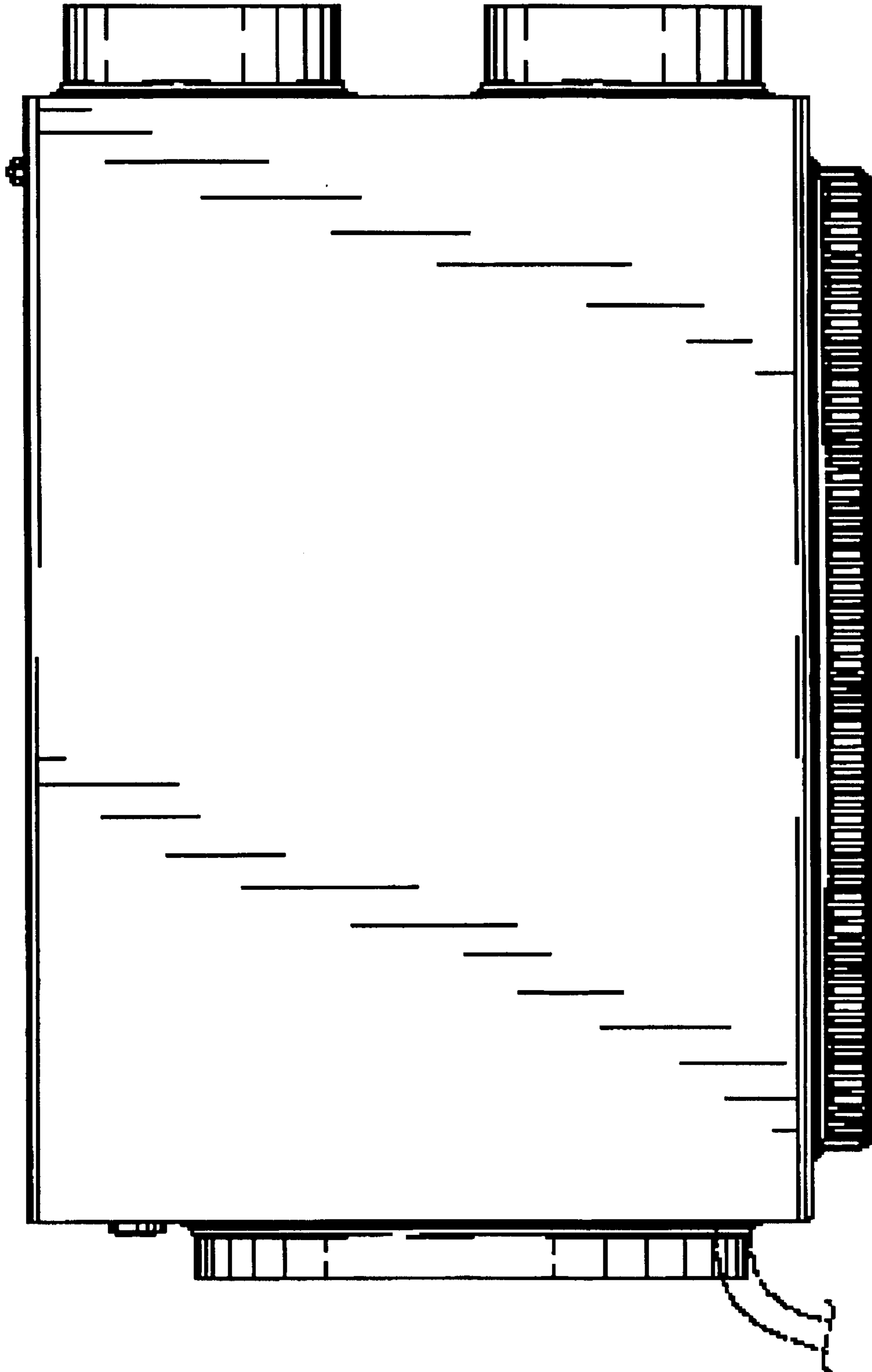


FIGURE 5

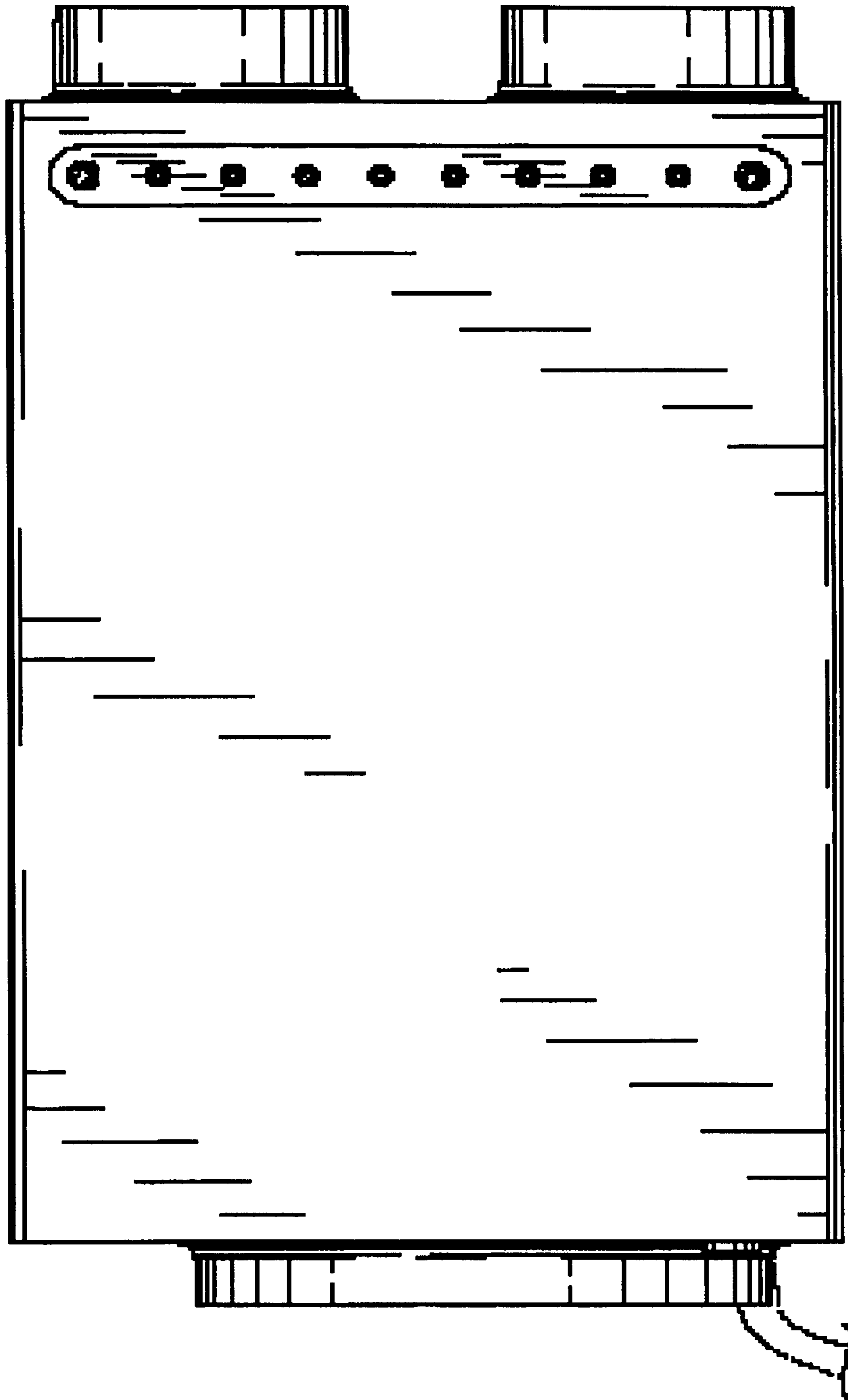


FIGURE 6

