



US00D515551S

(12) **United States Design Patent**
Watanabe

(10) **Patent No.:** **US D515,551 S**

(45) **Date of Patent:** **** Feb. 21, 2006**

(54) **DIGITAL AUDIO DISK PLAYER WITH RADIO TUNER**

D216,649 S * 2/1970 Ohwada et al. D14/198
D391,961 S * 3/1998 Hanig D14/194
D473,856 S * 4/2003 Bhavnani D14/197

(75) Inventor: **Hiroyuki Watanabe**, Tokyo (JP)

* cited by examiner

(73) Assignee: **Teac Corporation**, Tokyo (JP)

Primary Examiner—Nanda Bondade

(**) Term: **14 Years**

(74) *Attorney, Agent, or Firm*—Weingarten, Schurgin, Gagnebin & Lebovici LLP

(21) Appl. No.: **29/211,553**

(57) **CLAIM**

(22) Filed: **Aug. 18, 2004**

The ornamental design for digital audio disk player with radio tuner, as shown.

(30) **Foreign Application Priority Data**

Feb. 19, 2004 (JP) 2004-004273

DESCRIPTION

(51) **LOC (8) Cl.** **14-01**

FIG. 1 is a perspective view of digital audio disk player with radio tuner looking from the upper right side direction thereof;

(52) **U.S. Cl.** **D14/168**; D14/194

FIG. 2 is a top view thereof;

(58) **Field of Classification Search** D14/135–136,
D14/160–168, 188, 197–198, 156–157, 217;
455/100, 344, 346–351, 157.1, 350; 369/75.1,
369/75.2, 77.2

FIG. 3 is a front view thereof;

FIG. 4 is a right-side view thereof; and

See application file for complete search history.

FIG. 5 is a left-side view thereof;

FIG. 6 is a bottom view thereof;

FIG. 7 is a rear view thereof; and,

FIG. 8 is a perspective view of digital audio disk player with radio tuner showing the status of opening of a cover.

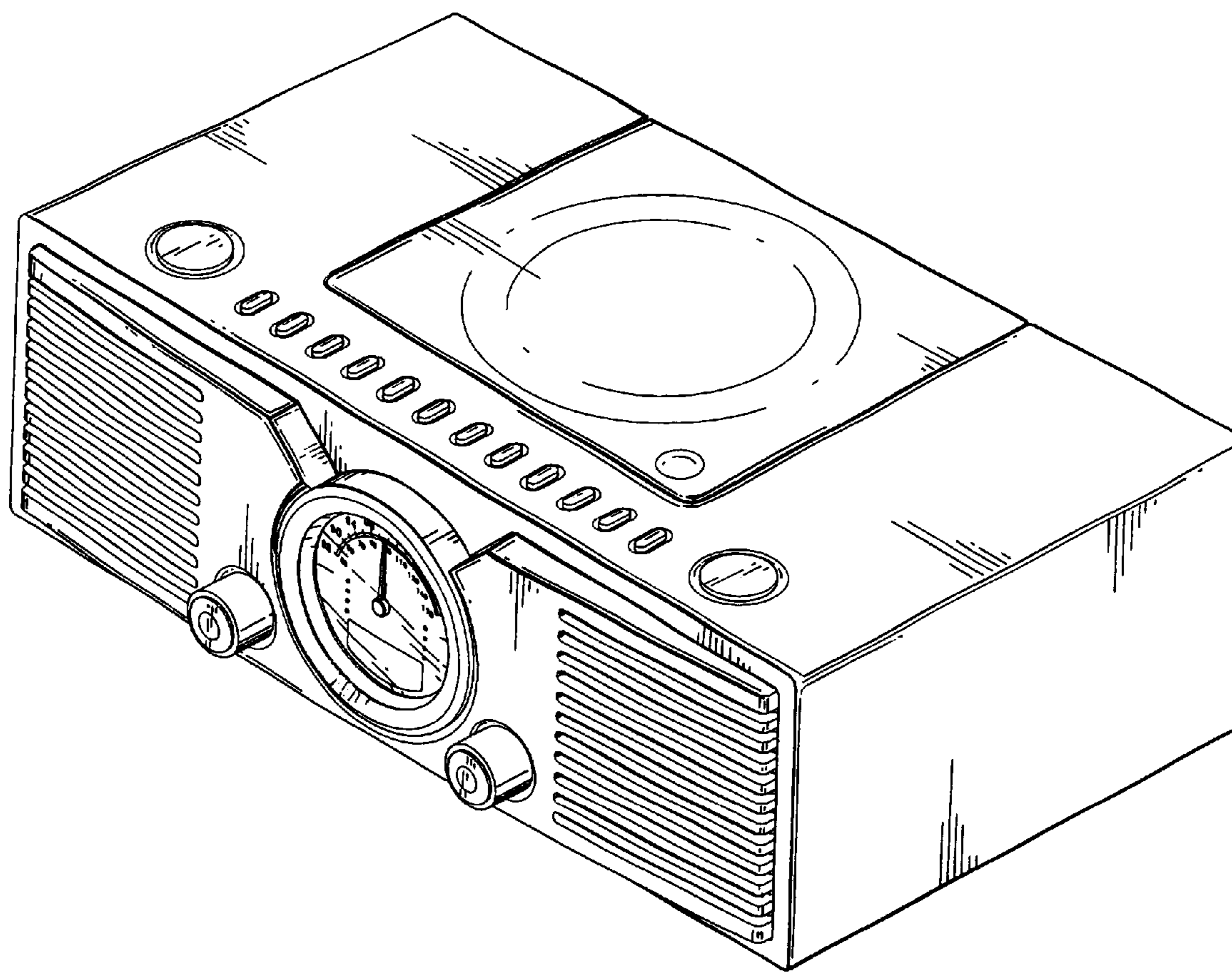
(56) **References Cited**

U.S. PATENT DOCUMENTS

2,523,103 A * 9/1950 Emde et al. 455/157.1

D163,507 S * 6/1951 Adler D14/195

1 Claim, 4 Drawing Sheets



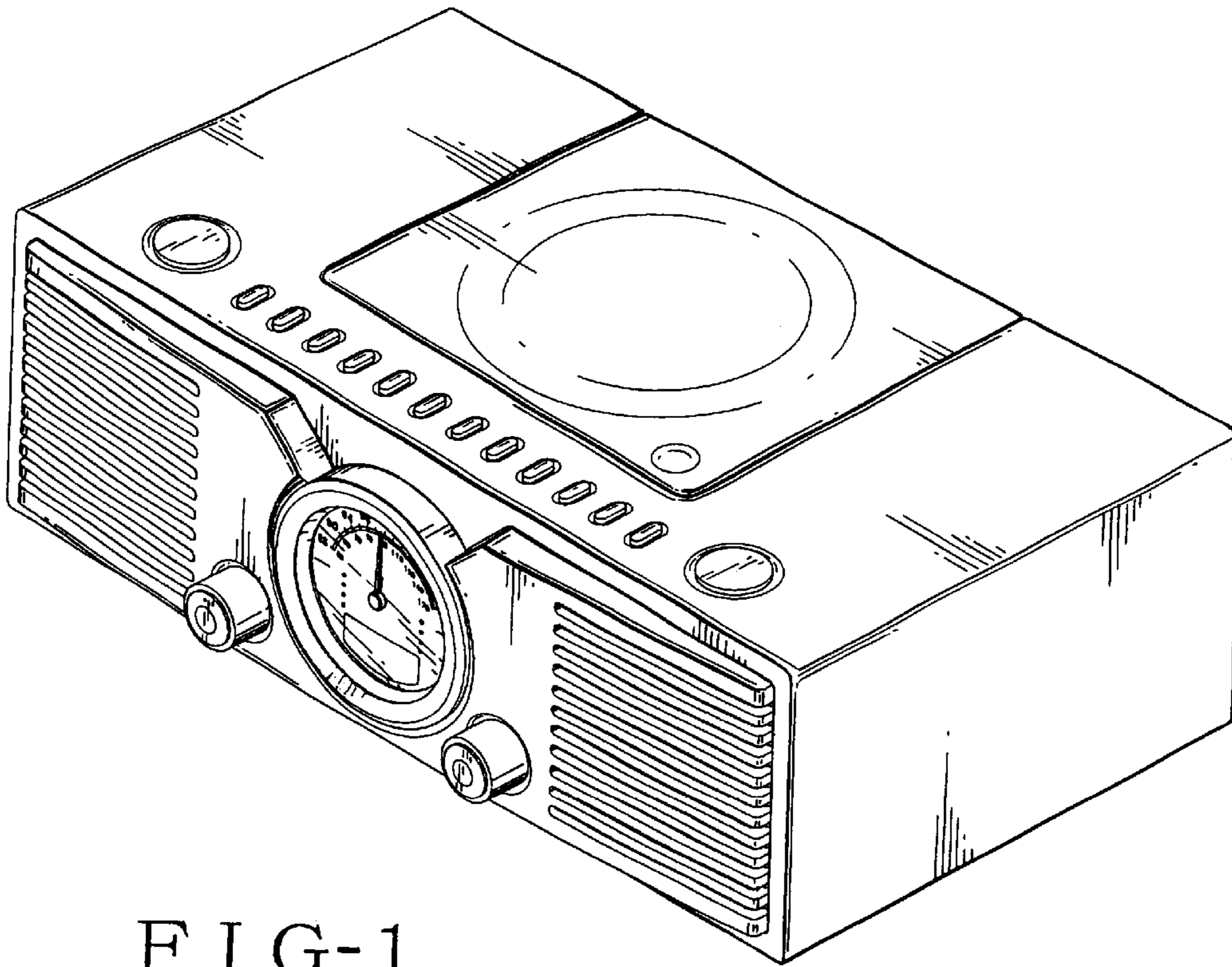


FIG-1

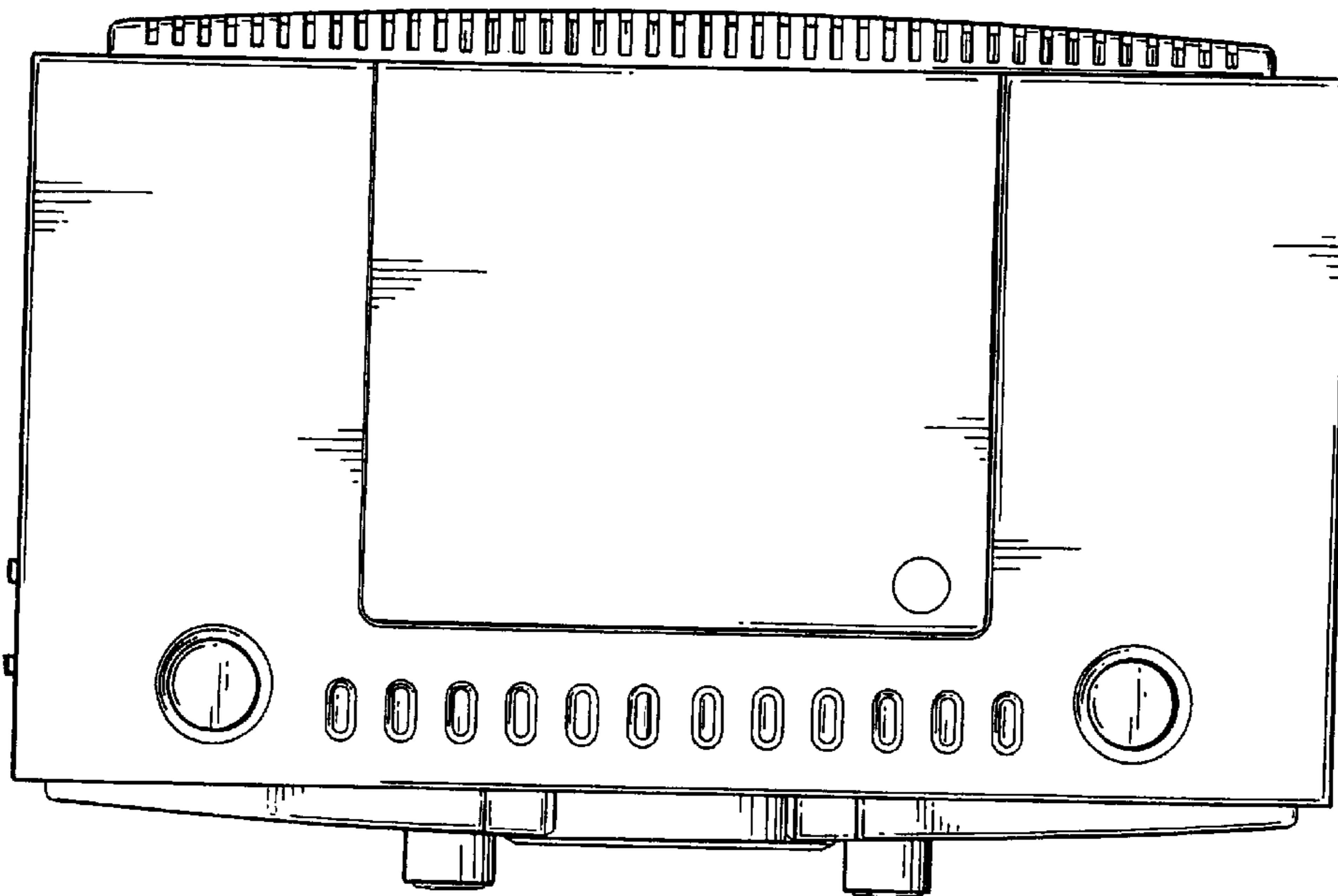


FIG-2

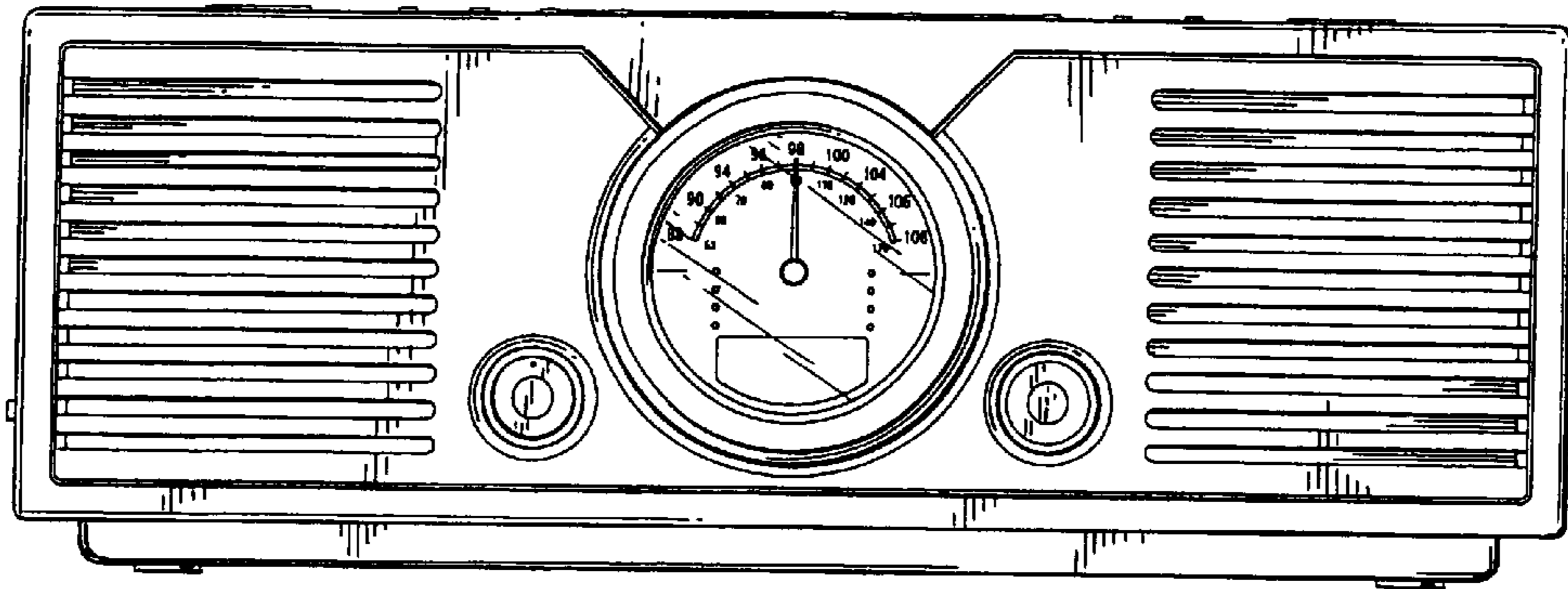


FIG-3

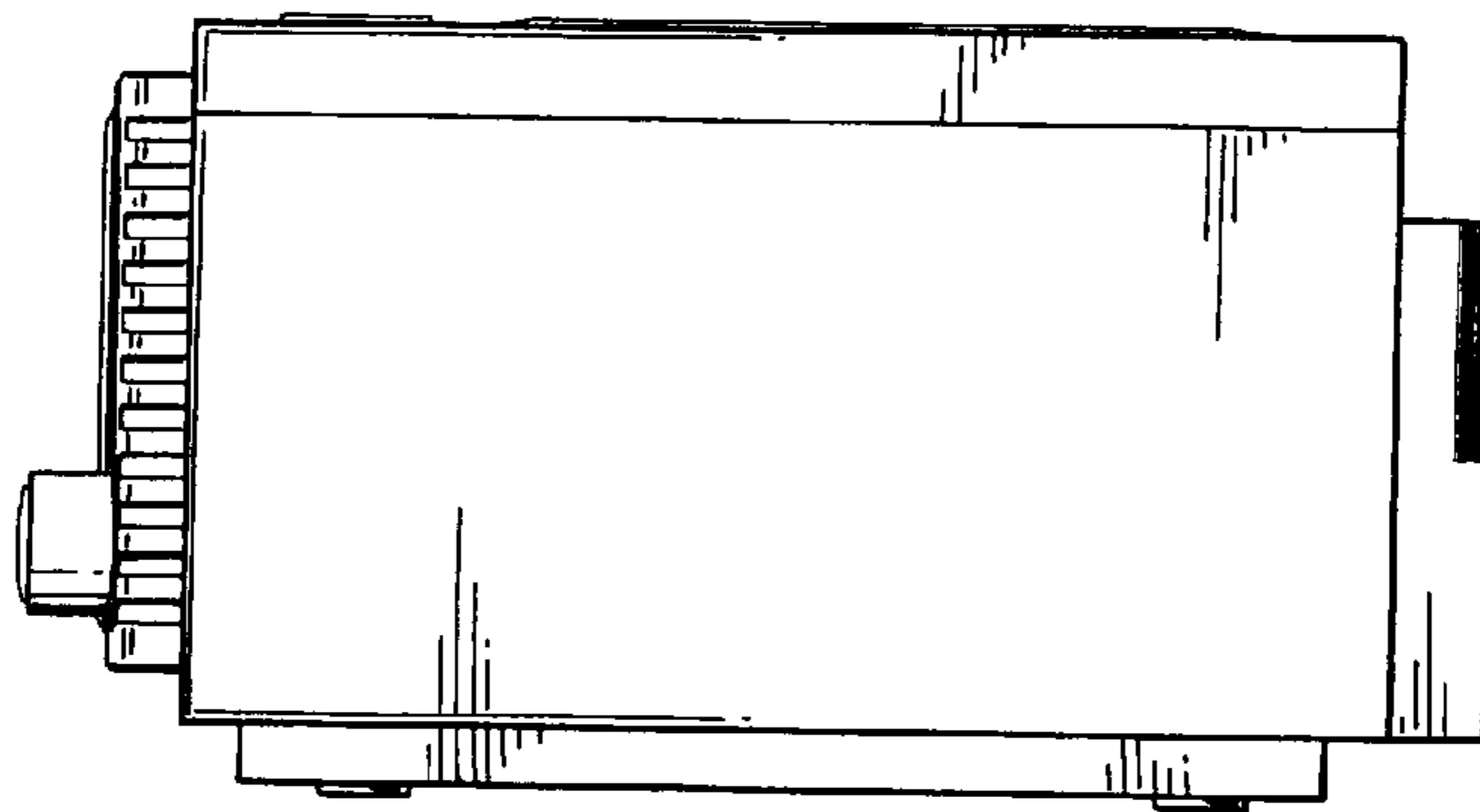


FIG-4

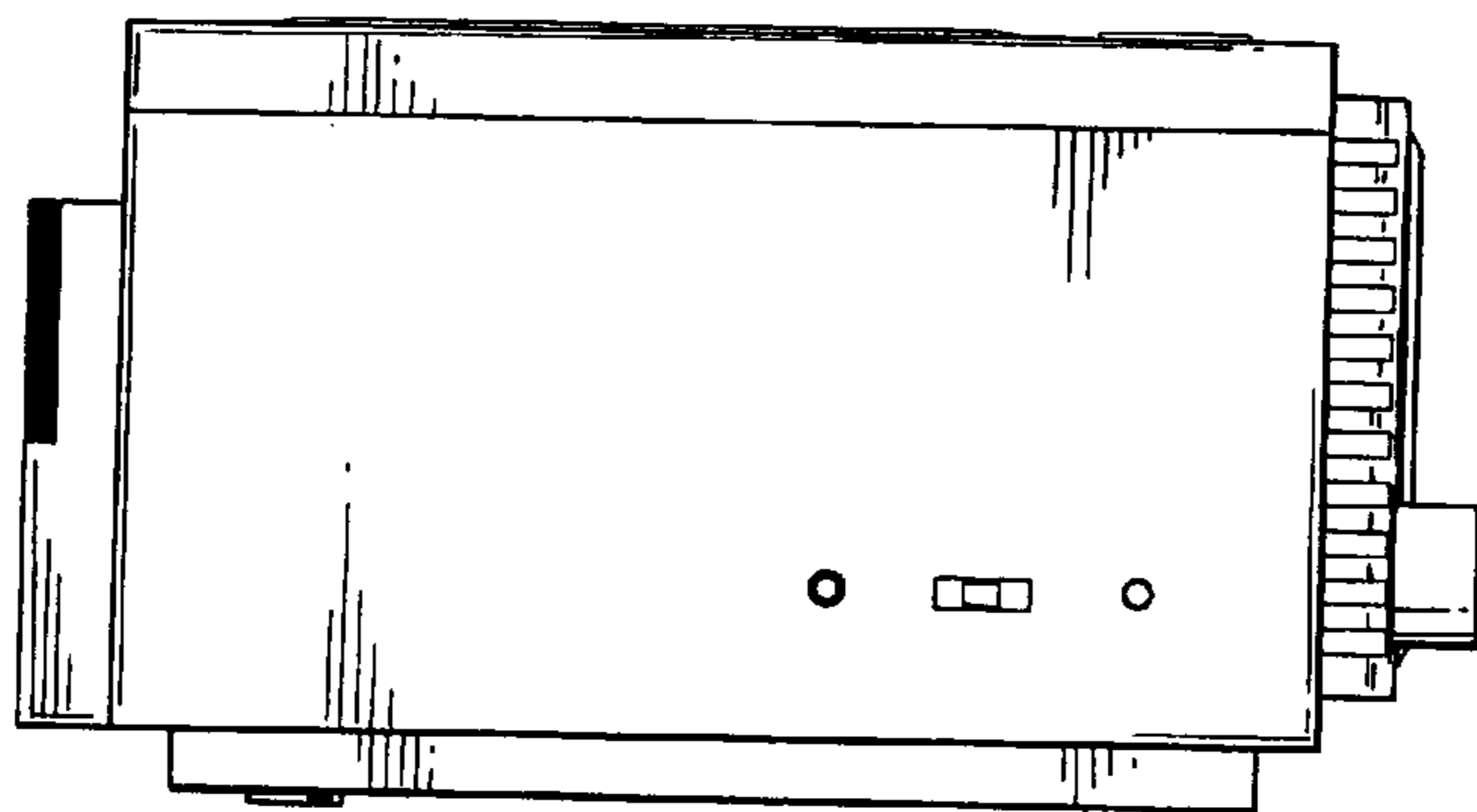


FIG-5

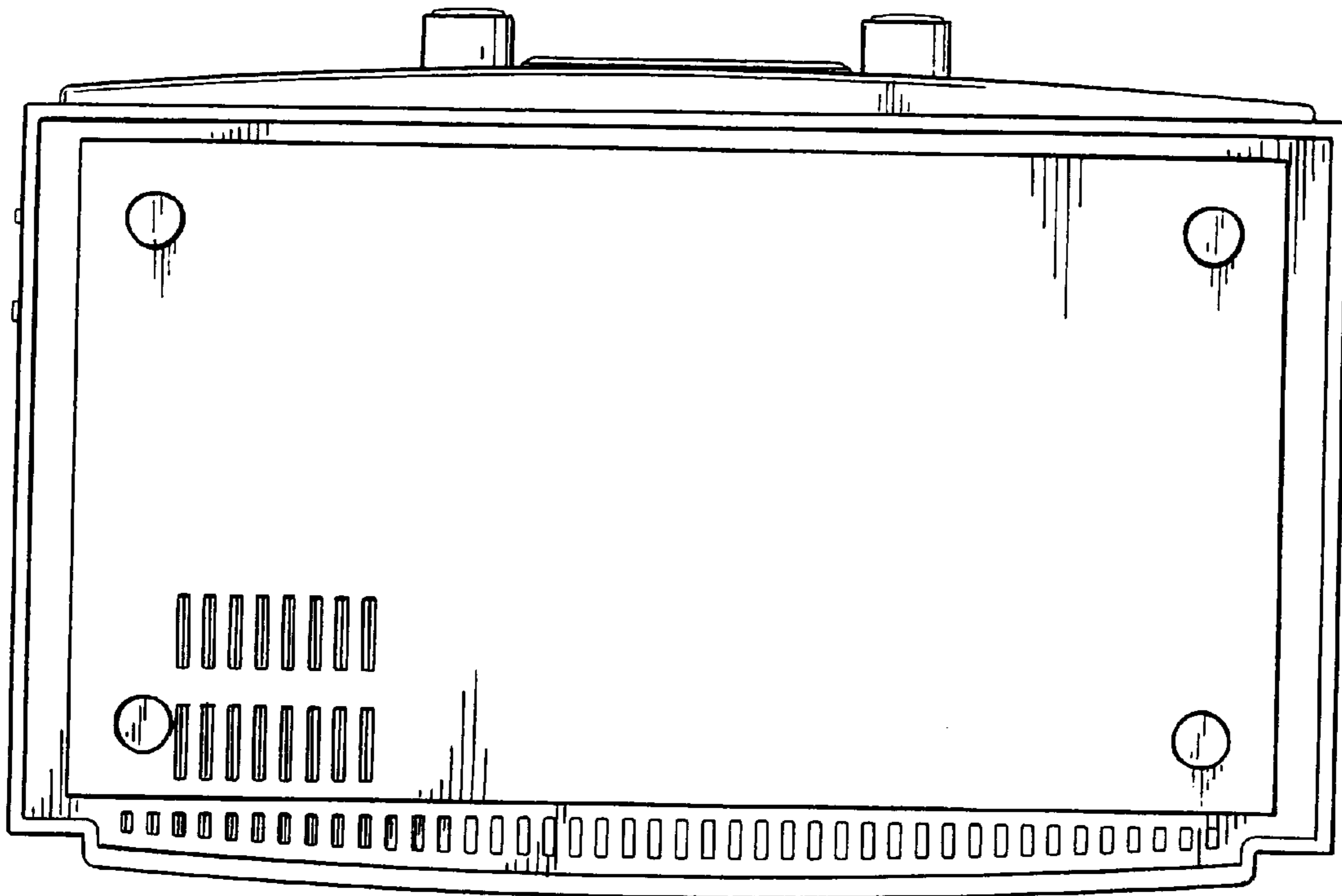


FIG-6

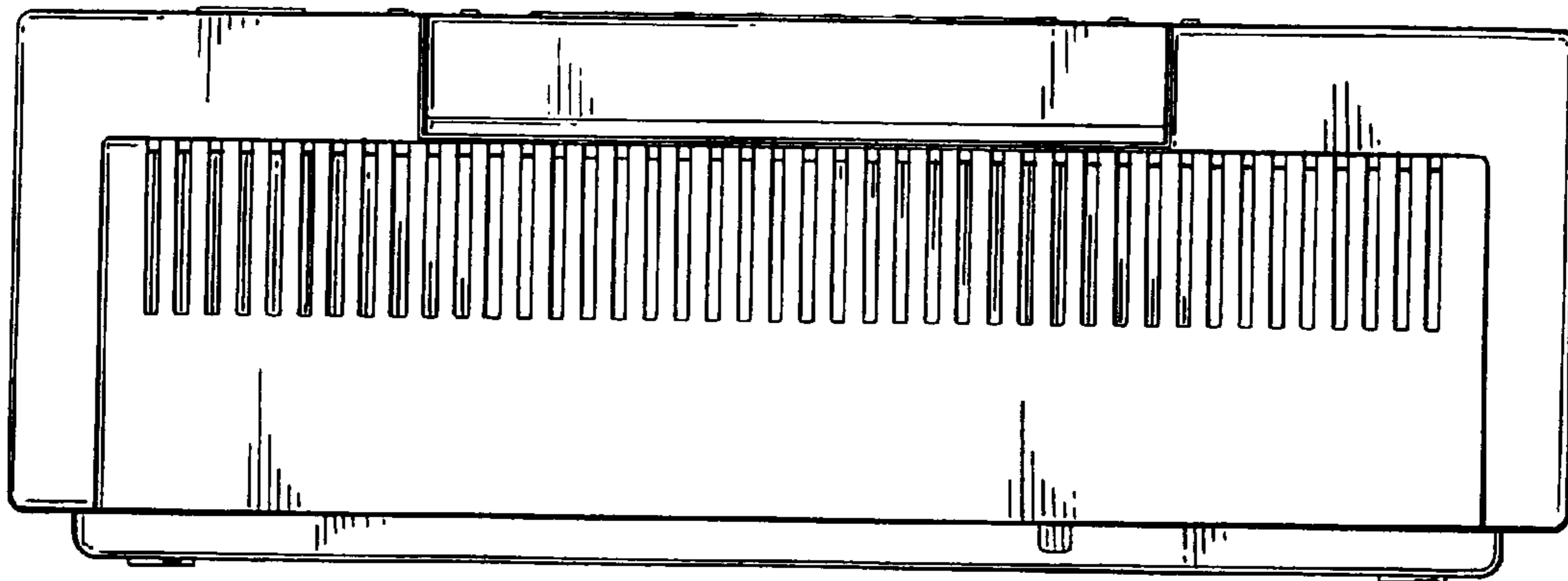


FIG-7

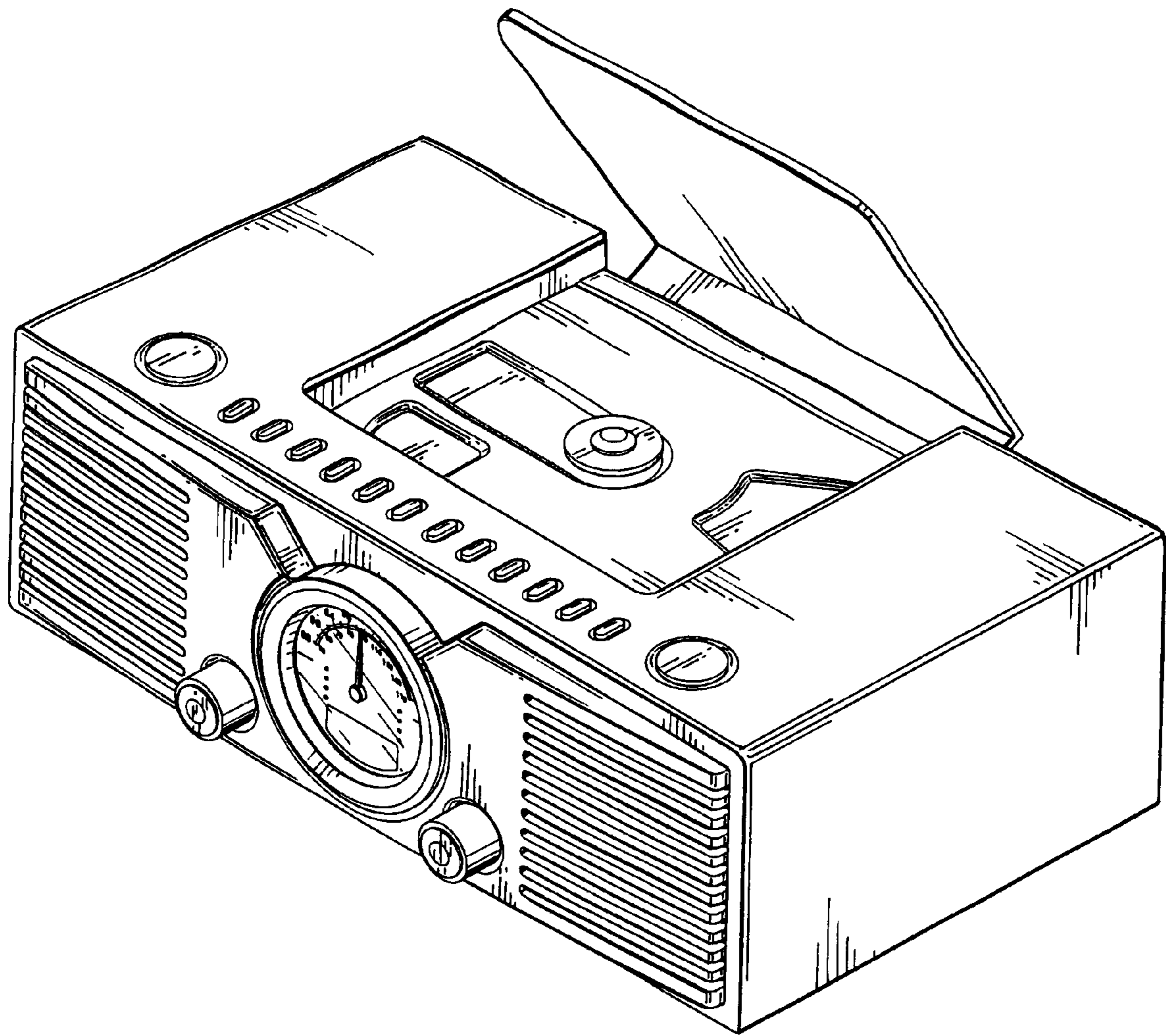


FIG-8