



US00D515549S

(12) **United States Design Patent**
Mizokawa et al.

(10) **Patent No.:** **US D515,549 S**
(45) **Date of Patent:** **** Feb. 21, 2006**

(54) **DIGITAL AUDIO DISC PLAYER FOR AN
AUTOMOBILE**
(75) Inventors: **Hiroyuki Mizokawa, Yokohama (JP);
Keitaro Shimizu, Yokohama (JP)**
(73) Assignee: **Matsushita Electric Industrial Co.,
Ltd., Osaka (JP)**
(**) **Term: 14 Years**
(21) **Appl. No.: 29/222,401**
(22) **Filed: Jan. 27, 2005**
(30) **Foreign Application Priority Data**
Oct. 22, 2004 (JP) 2004-032162

D430,552 S 9/2000 Nose
D430,562 S 9/2000 Richards
D436,093 S 1/2001 Okada et al.
D440,547 S 4/2001 Hori et al.
D442,571 S 5/2001 Nose
D443,609 S 6/2001 Buckingham et al.
D444,146 S 6/2001 Weiland et al.
D445,775 S 7/2001 Hori et al.
D446,510 S * 8/2001 Hori et al. D14/157
D450,678 S 11/2001 Mizokawa et al.
D452,859 S 1/2002 Le Thellec
D468,285 S 1/2003 Mizokawa
D471,886 S 3/2003 Nishii et al.
D471,887 S 3/2003 Nishii et al.
D475,690 S 6/2003 Nose et al.
D475,691 S 6/2003 Nishii et al.
D483,731 S * 12/2003 Yoshihara D14/157
D483,733 S * 12/2003 Yoshihara D14/157

(51) **LOC (8) Cl.** **14-01**
(52) **U.S. Cl.** **D14/157**
(58) **Field of Classification Search** D14/135-136,
D14/156-157, 160-165, 167-168, 192-198,
D14/188, 217, 257, 258, 445; 360/99.02,
360/99.07, 75.11, 75.21, 77.21; 369/75.11,
369/75.21, 77.21, 77.11; 720/612, 619, 647,
720/655; 455/344, 347-351
See application file for complete search history.

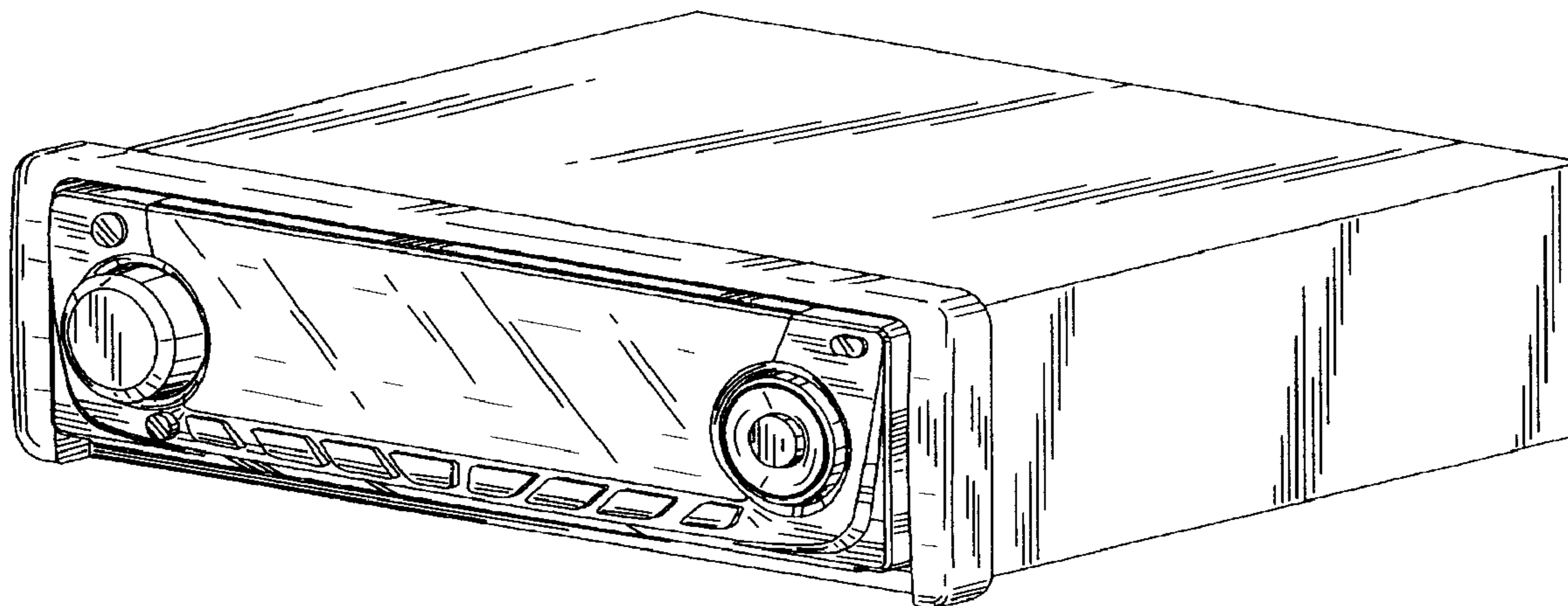
* cited by examiner
Primary Examiner—Nanda Bondade
(74) *Attorney, Agent, or Firm*—Brinks Hofer Gilson &
Lione

(57) **CLAIM**
We claim the ornamental design for a digital audio disc
player for an automobile, as shown and described.

(56) **References Cited**
U.S. PATENT DOCUMENTS
4,758,910 A 7/1988 Kaneko et al.
D352,284 S 11/1994 Kakizaki
5,610,376 A 3/1997 Takagi et al.
5,848,042 A 12/1998 Takahashi et al.
5,852,594 A 12/1998 Kaise et al.
5,862,468 A 1/1999 Kim
D407,704 S 4/1999 Ichijima et al.
5,953,302 A 9/1999 Kobayashi
D415,491 S 10/1999 Yano et al.
D421,007 S 2/2000 Nagai

DESCRIPTION
FIG. 1 is a top perspective view of a digital audio disc player
for an automobile of the present invention;
FIG. 2 is a front view thereof;
FIG. 3 is a first side view thereof;
FIG. 4 is a top view thereof;
FIG. 5 is a bottom view thereof; and,
FIG. 6 is a second side view thereof.
The rear view has been omitted and forms no part of the
claimed design.

1 Claim, 3 Drawing Sheets



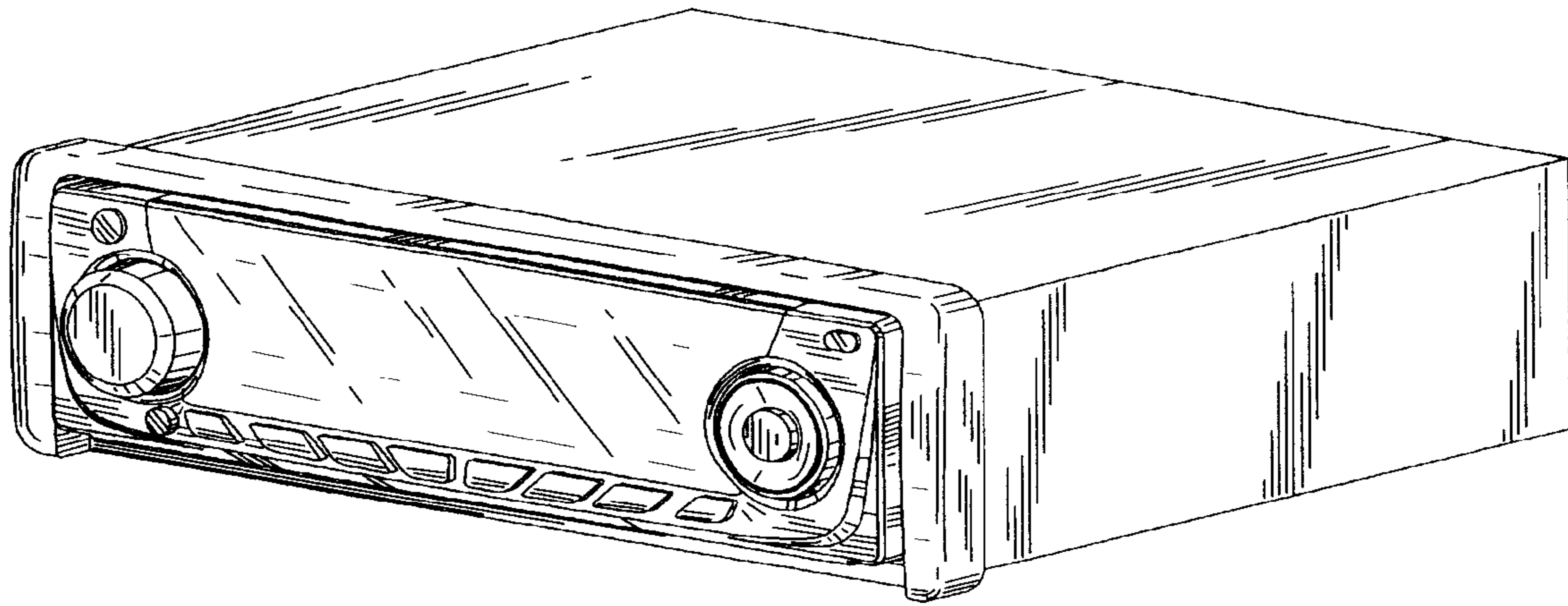


FIG. 1

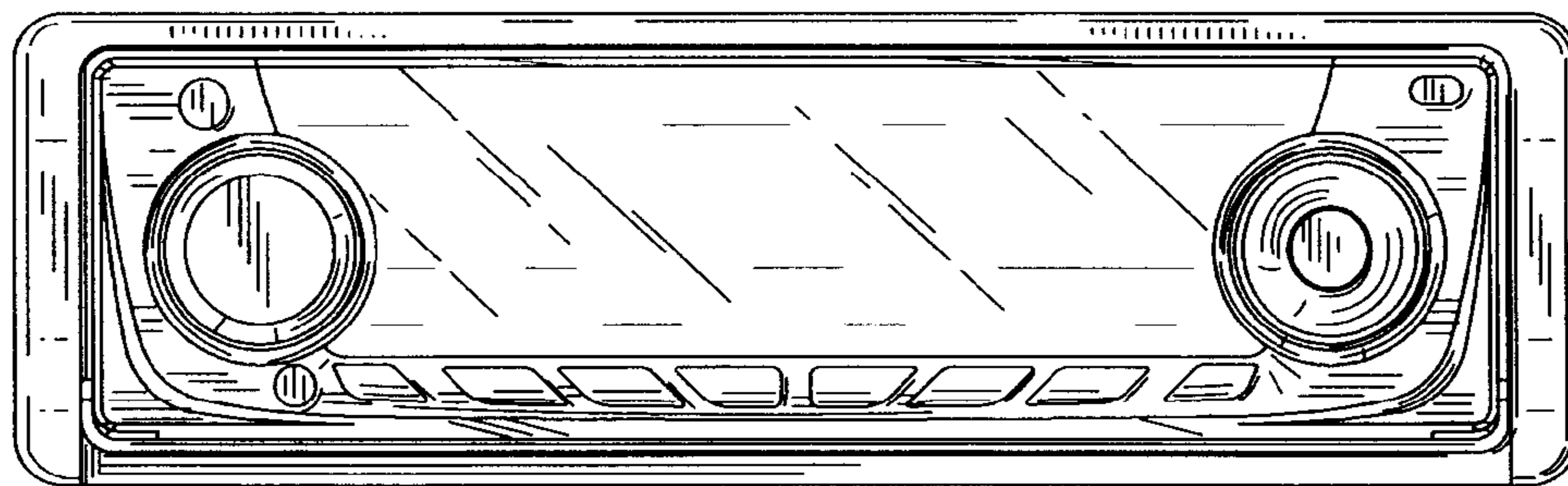


FIG. 2

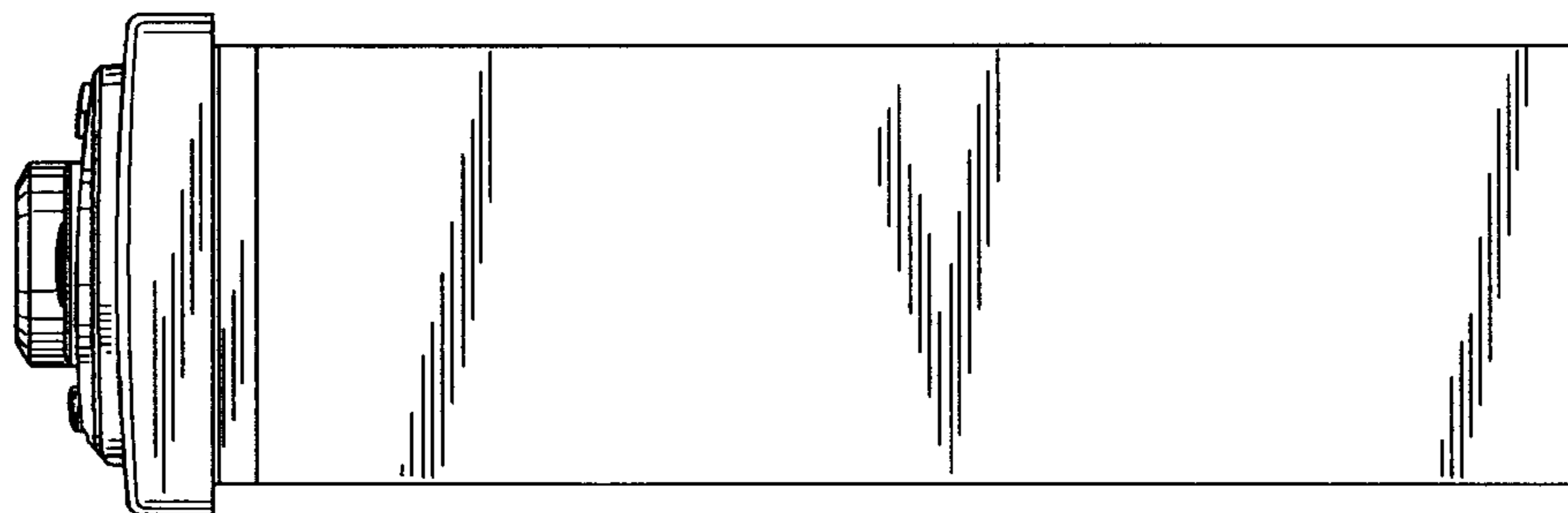


FIG. 3

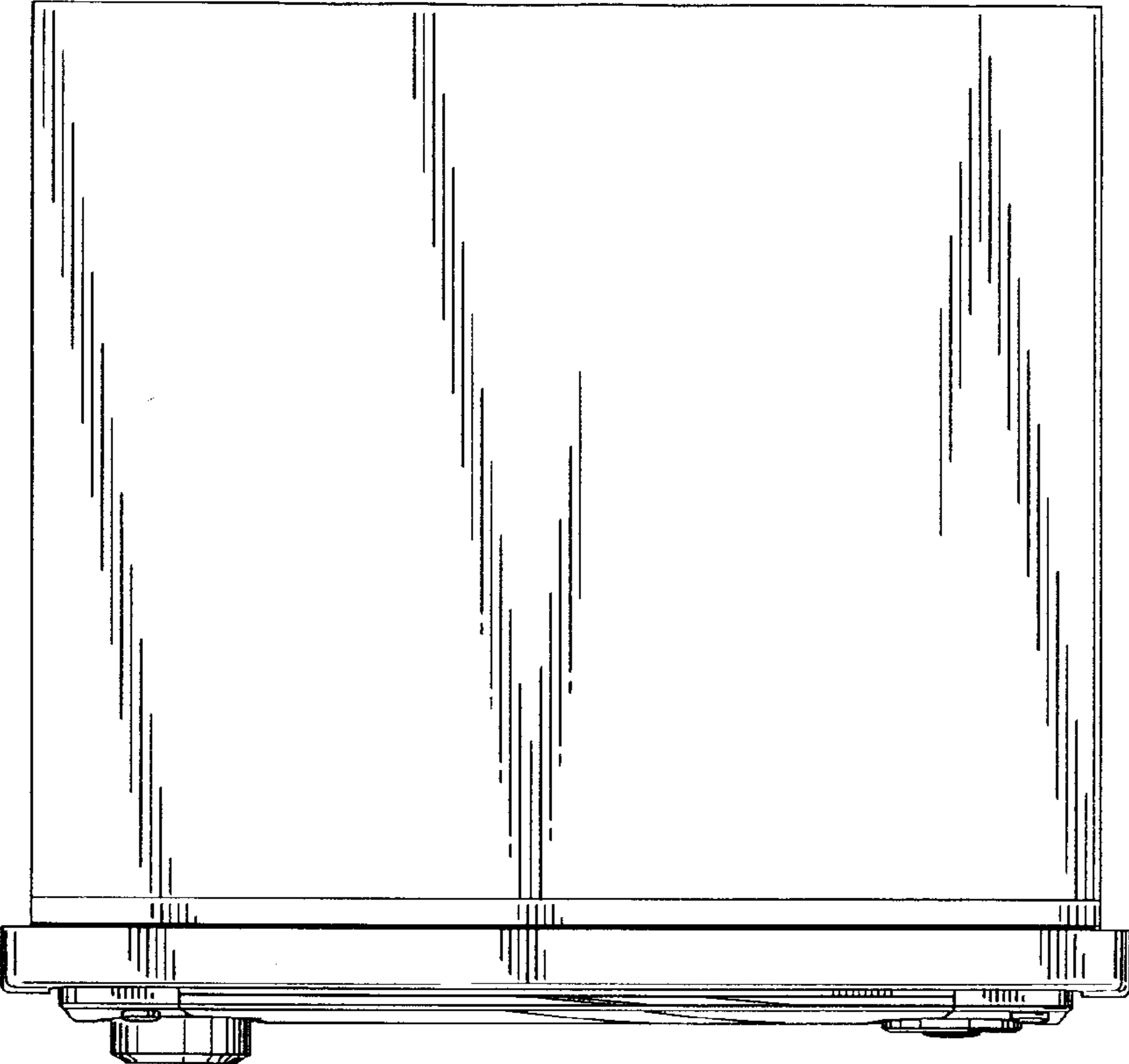


FIG. 4

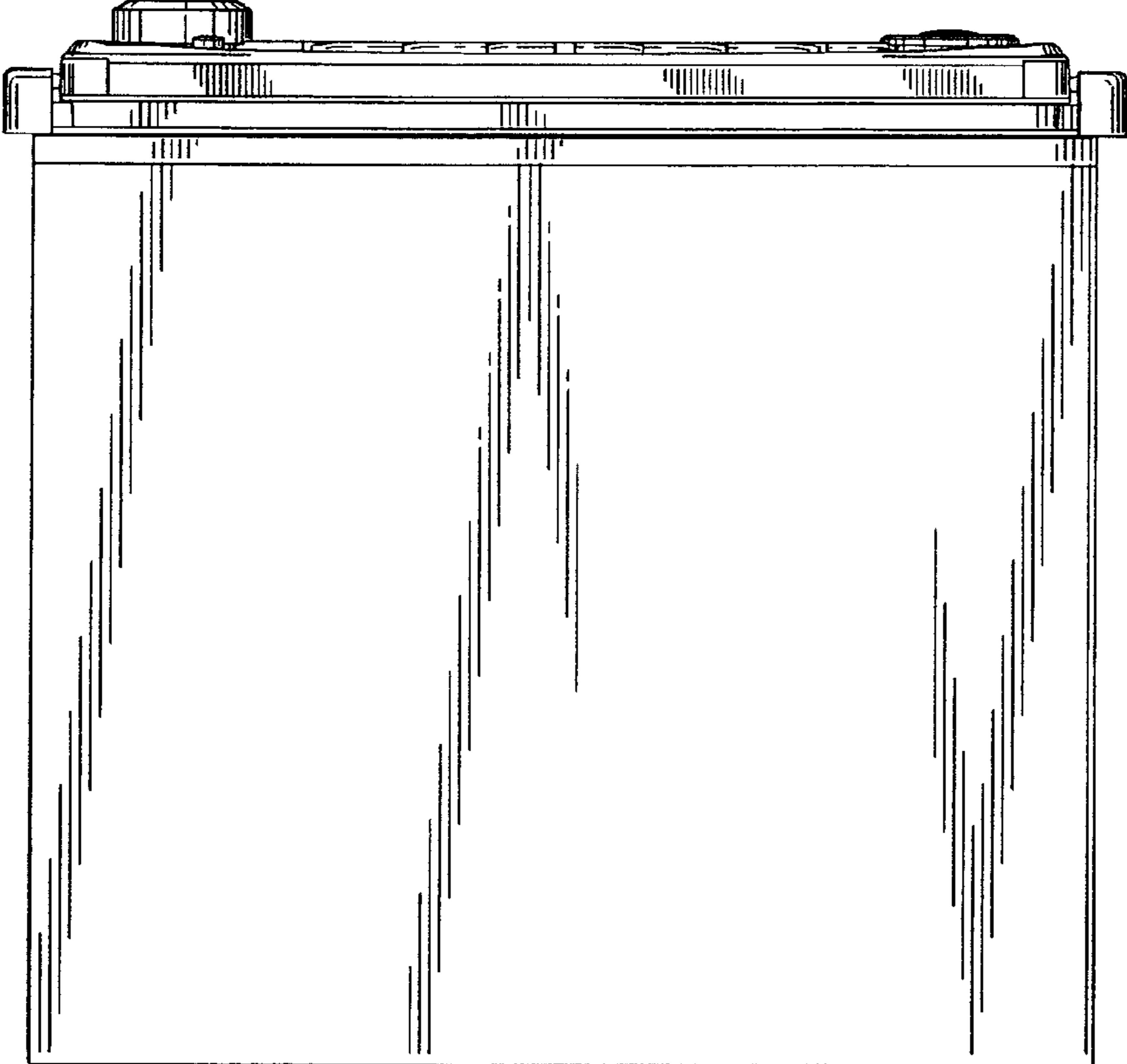


FIG. 5

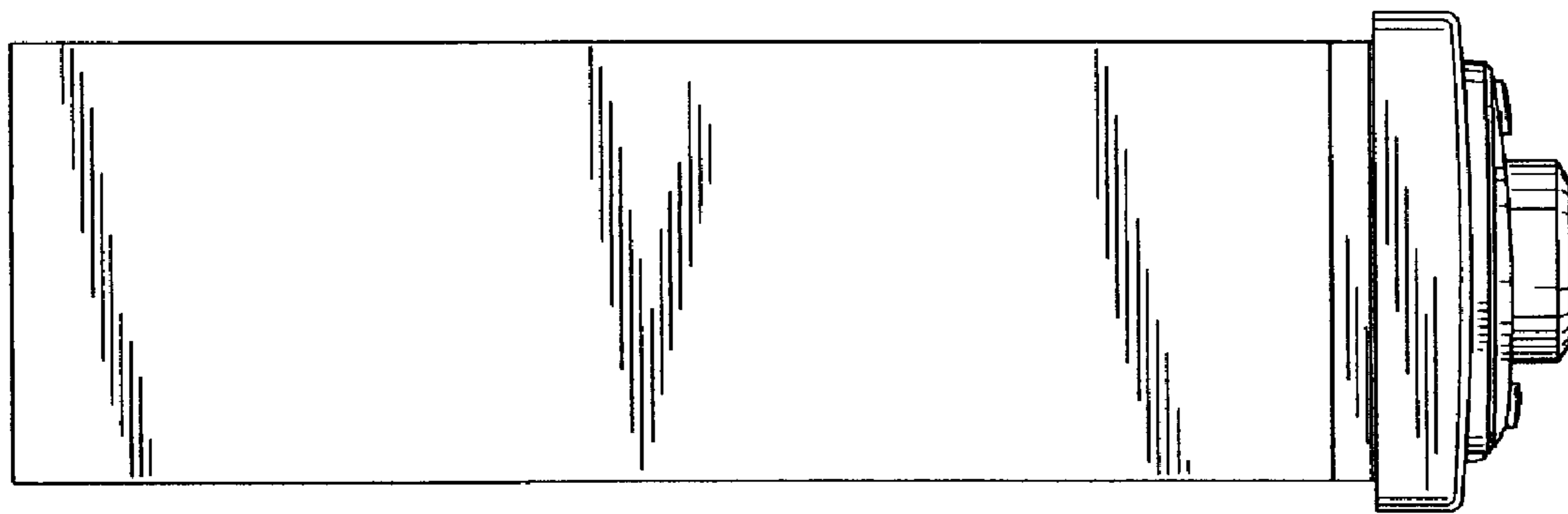


FIG. 6