



US00D515548S

(12) **United States Design Patent**
Mizokawa et al.

(10) **Patent No.:** **US D515,548 S**

(45) **Date of Patent:** **** Feb. 21, 2006**

(54) **DIGITAL AUDIO DISC PLAYER FOR AN AUTOMOBILE**

(75) Inventors: **Hiroyuki Mizokawa, Yokohama (JP); Keitaro Shimizu, Yokohama (JP)**

(73) Assignee: **Matsushita Electric Industrial Co., Ltd., Osaka (JP)**

(**) **Term: 14 Years**

(21) **Appl. No.: 29/222,394**

(22) **Filed: Jan. 27, 2005**

(30) **Foreign Application Priority Data**

Oct. 22, 2004 (JP) 2004-032161

(51) **LOC (8) Cl. 14-01**

(52) **U.S. Cl. D14/157**

(58) **Field of Classification Search** D14/135-136, D14/156-157, 160-165, 167-168, 192-198, D14/188, 217, 257, 258, 445; 360/99.02, 360/99.07; 369/75.11, 75.21, 77.21, 77.11; 720/612, 619, 647, 655; 455/344, 347-351
See application file for complete search history.

(56) **References Cited**

U.S. PATENT DOCUMENTS

4,758,910 A	7/1988	Kaneko et al.
D352,284 S	11/1994	Kakizaki
5,610,376 A	3/1997	Takagi et al.
5,848,042 A	12/1998	Takahashi et al.
5,852,594 A	12/1998	Kaise et al.
5,862,468 A	1/1999	Kim
D407,704 S	4/1999	Ichijima et al.
5,953,302 A	9/1999	Kobayashi
D415,491 S	10/1999	Yano et al.
D421,007 S	2/2000	Nagai

D430,552 S	9/2000	Nose	
D430,562 S	9/2000	Richards	
D436,093 S	1/2001	Okada et al.	
D440,547 S	4/2001	Hori et al.	
D442,571 S	5/2001	Nose	
D443,609 S	6/2001	Buckingham et al.	
D444,146 S	6/2001	Weiland et al.	
D445,775 S	7/2001	Hori et al.	
D446,510 S	* 8/2001	Hori et al. D14/157
D450,678 S	11/2001	Mizokawa et al.	
D452,859 S	1/2002	Le Thellec	
D468,285 S	1/2003	Mizokawa	
D471,886 S	3/2003	Nishii et al.	
D471,887 S	3/2003	Nishii et al.	
D475,690 S	6/2003	Nose et al.	
D475,691 S	6/2003	Nishii et al.	
D483,731 S	* 12/2003	Yoshihara D14/157
D483,733 S	* 12/2003	Yoshihara D14/157

* cited by examiner

Primary Examiner—Nanda Bondade

(74) *Attorney, Agent, or Firm*—Brinks Hofer Gilson & Lione

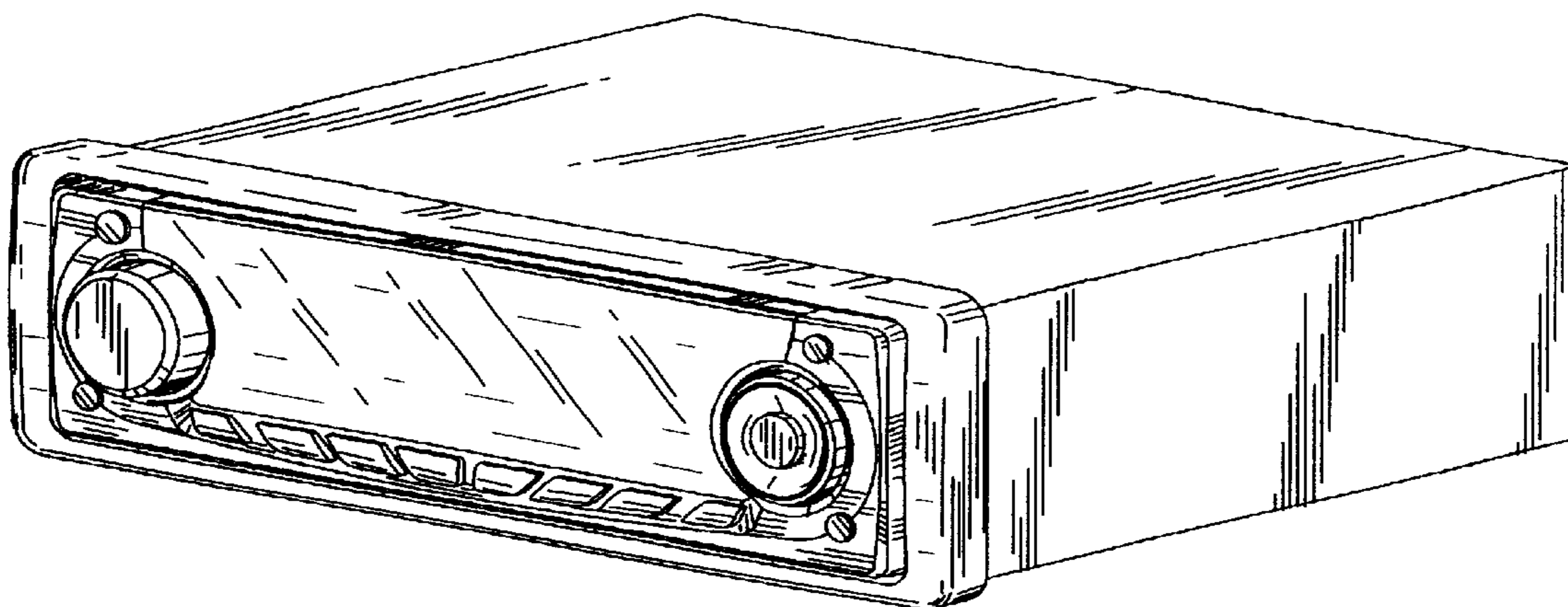
(57) **CLAIM**

We claim the ornamental design for a digital audio disc player for an automobile, as shown and described.

DESCRIPTION

FIG. 1 is a top perspective view of a digital audio disc player for an automobile of the present invention; FIG. 2 is a front view thereof; FIG. 3 is a first side view thereof; FIG. 4 is a top view thereof; FIG. 5 is a bottom view thereof; and, FIG. 6 is a second side view thereof. The rear view has been omitted and forms no part of the claimed design.

1 Claim, 3 Drawing Sheets



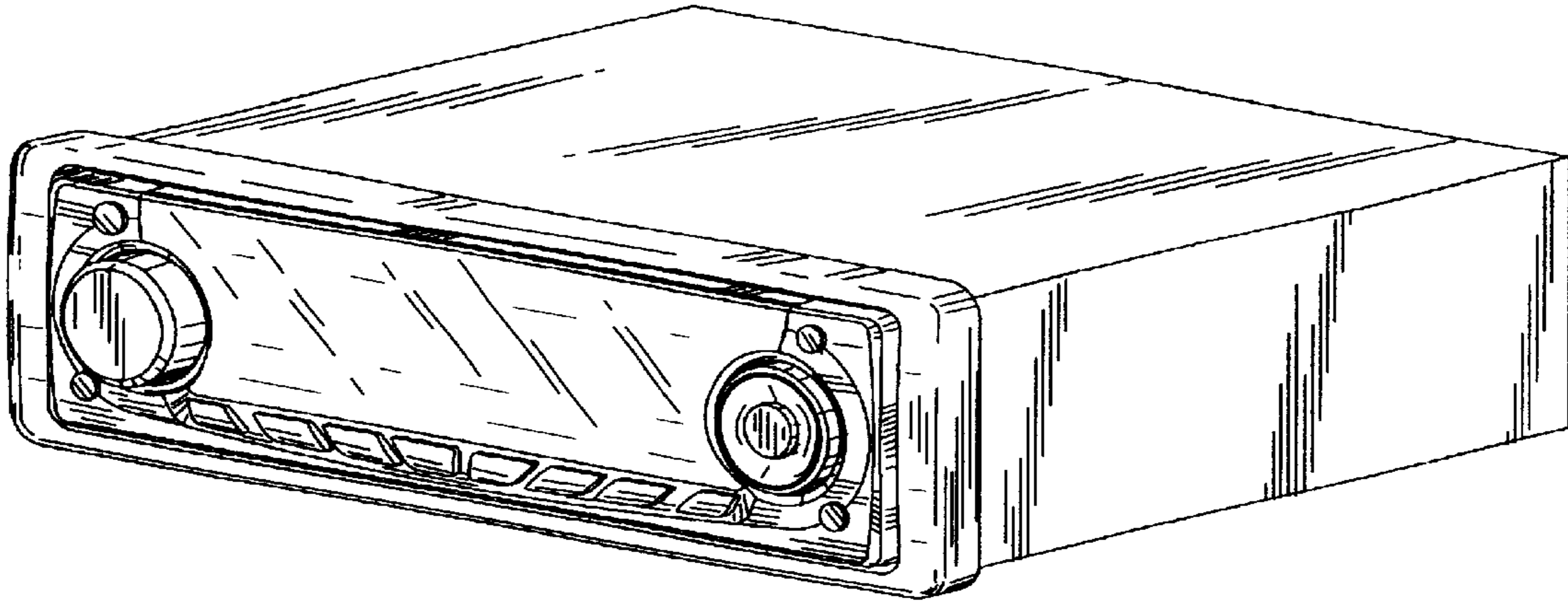


FIG. 1

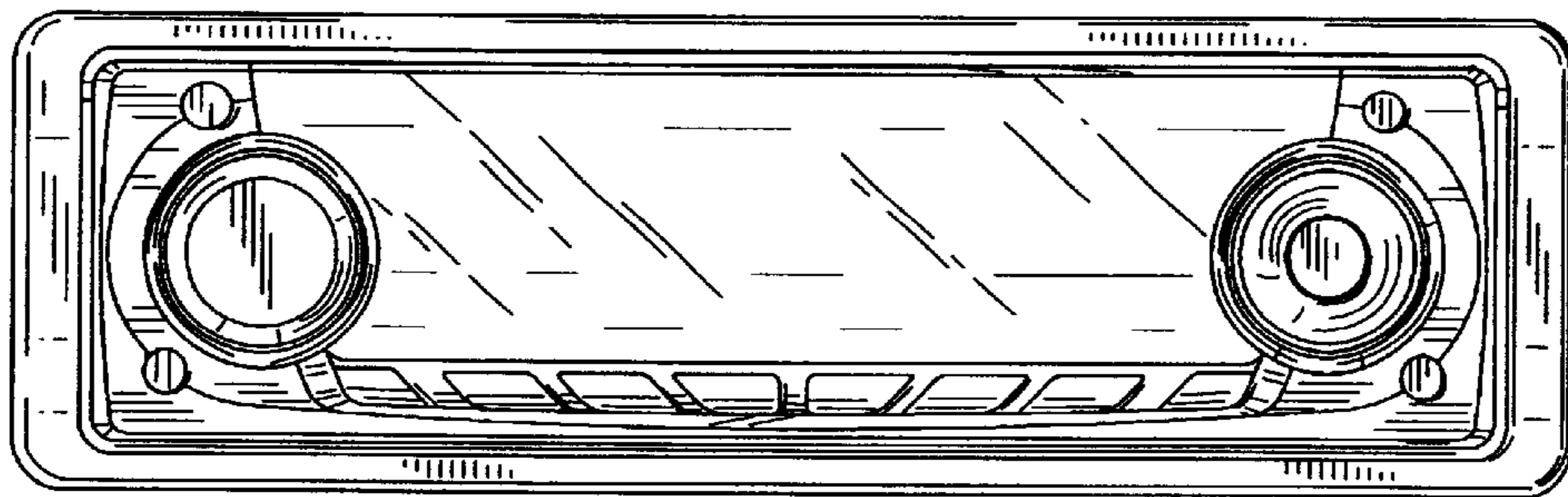


FIG. 2

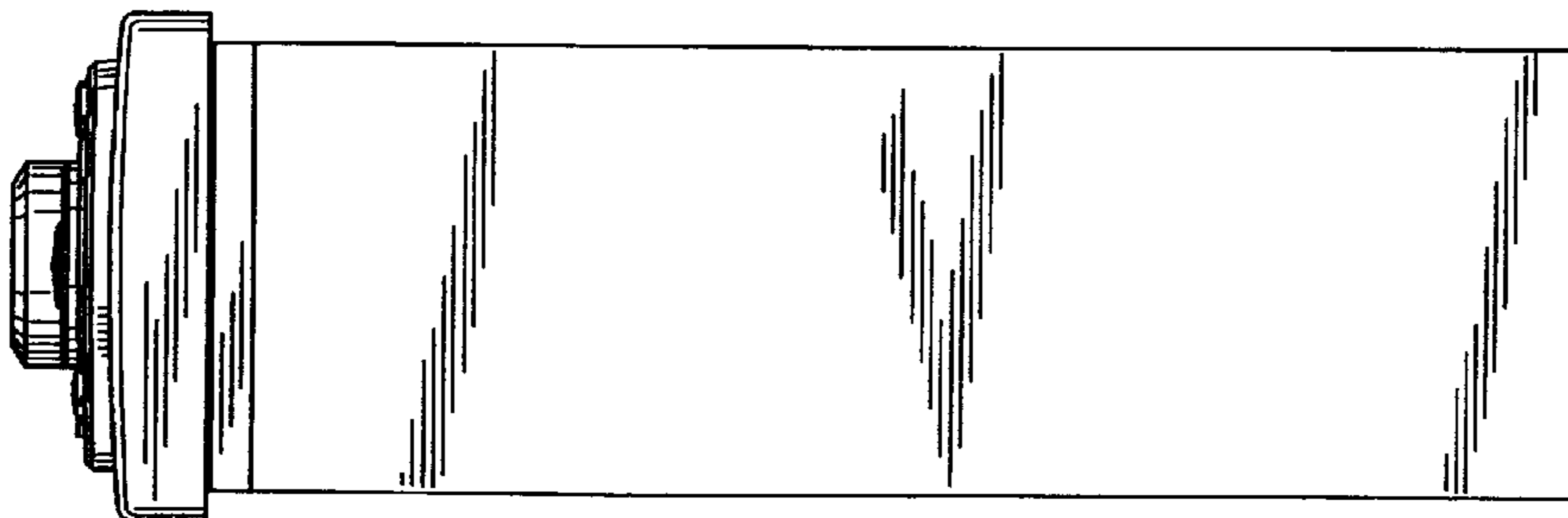


FIG. 3

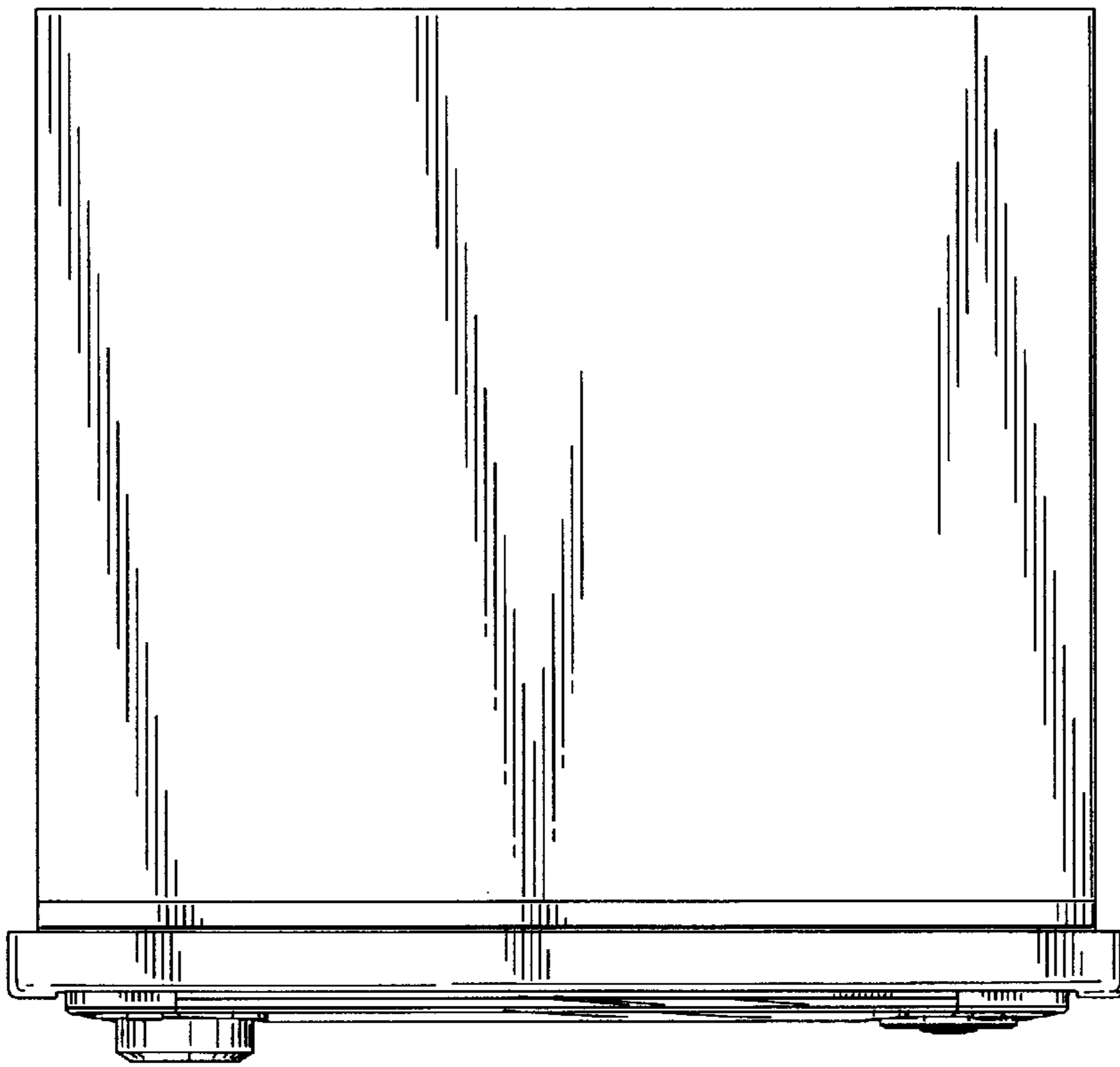


FIG. 4

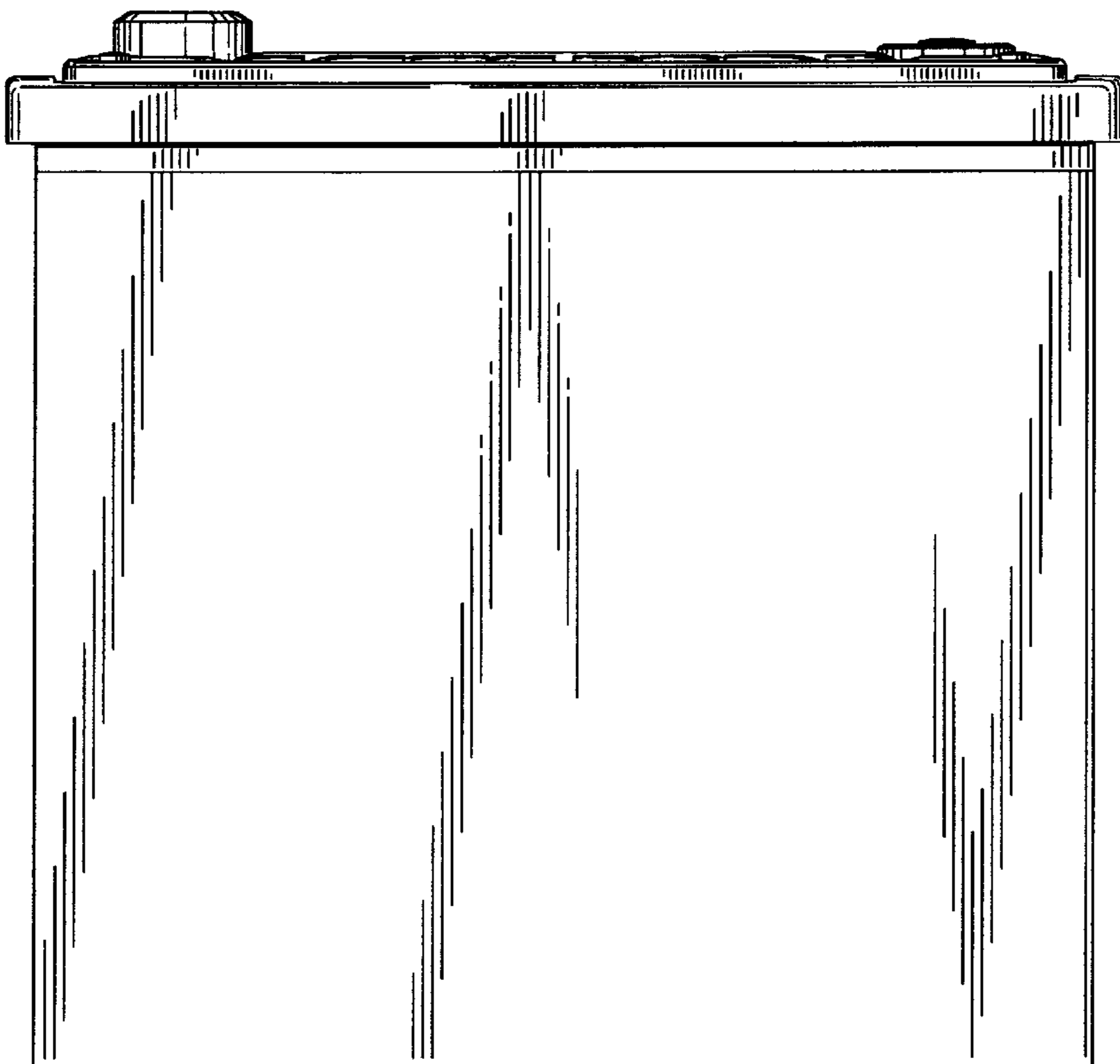


FIG. 5

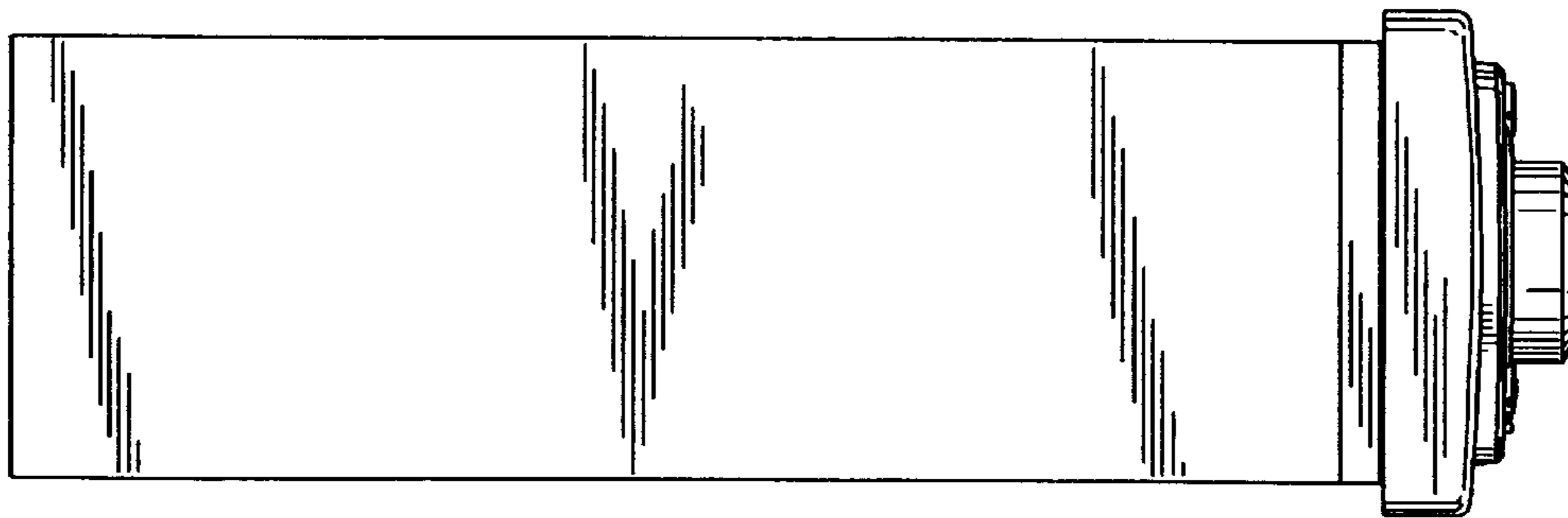


FIG. 6