



US00D515547S

(12) **United States Design Patent**  
**Mizokawa et al.**

(10) **Patent No.:** **US D515,547 S**  
(45) **Date of Patent:** **\*\* Feb. 21, 2006**

(54) **DIGITAL AUDIO DISC PLAYER FOR AN AUTOMOBILE**

(75) Inventors: **Hiroyuki Mizokawa, Yokohama (JP); Toshiyuki Itabashi, Yokohama (JP)**

(73) Assignee: **Matsushita Electric Industrial Co., Ltd., Osaka (JP)**

(\*\*) **Term: 14 Years**

(21) **Appl. No.: 29/221,476**

(22) **Filed: Jan. 14, 2005**

(30) **Foreign Application Priority Data**

Oct. 12, 2004 (JP) ..... 2004-030818

(51) **LOC (8) Cl. .... 14-01**

(52) **U.S. Cl. .... D14/157**

(58) **Field of Classification Search** ..... D14/135-136, D14/156-157, 160-165, 167-168, 192-198, D14/188, 217, 257, 258, 445; 360/99.02, 360/99.07; 369/75.11, 75.21, 77.21, 77.11; 720/612, 619, 647, 655; 455/344, 347-351  
See application file for complete search history.

(56) **References Cited**

**U.S. PATENT DOCUMENTS**

4,758,910 A 7/1988 Kaneko et al.  
D400,529 S 11/1998 Kakizaki  
5,848,042 A 12/1998 Takahashi et al.  
5,852,594 A 12/1998 Kaise et al.  
5,953,302 A 9/1999 Kobayashi  
D415,491 S 10/1999 Yano et al.

D430,552 S 9/2000 Nose  
D436,093 S 1/2001 Okada et al.  
D442,571 S 5/2001 Nose  
D445,775 S 7/2001 Hori et al.  
D448,014 S \* 9/2001 Hori et al. .... D14/157  
D450,678 S 11/2001 Mizokawa et al.  
D452,859 S 1/2002 Le Thellec  
D468,285 S 1/2003 Mizokawa  
D475,690 S 6/2003 Nose et al.  
D475,691 S 6/2003 Nishii et al.  
D495,314 S 8/2004 Mizokawa et al.  
D495,315 S 8/2004 Mizokawa et al.  
D495,677 S 9/2004 Kawano et al.

\* cited by examiner

*Primary Examiner*—Nanda Bondade

(74) *Attorney, Agent, or Firm*—Brinks Hofer Gilson & Lione

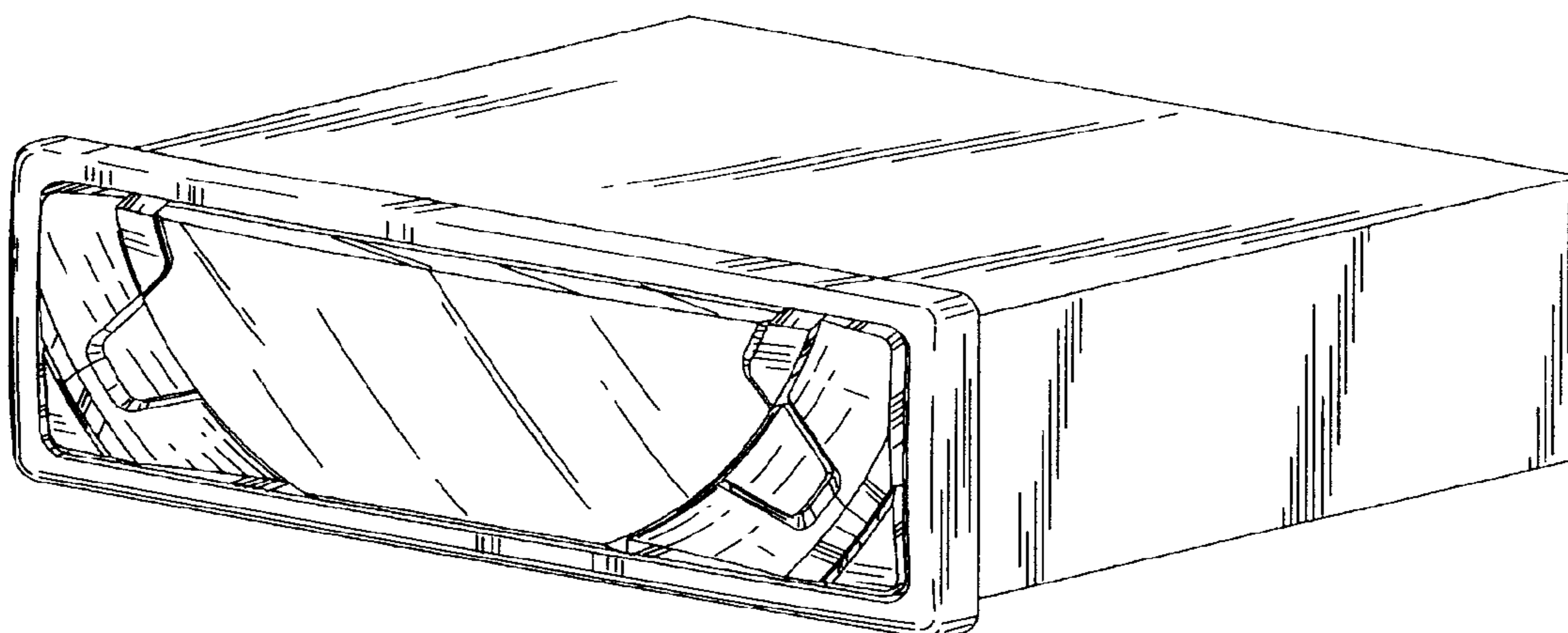
(57) **CLAIM**

The ornamental design for a digital audio disc player for an automobile, as shown and described.

**DESCRIPTION**

FIG. 1 is a top perspective view of a digital audio disc player for an automobile of the present invention;  
FIG. 2 is a front view thereof;  
FIG. 3 is a first side view thereof;  
FIG. 4 is a top view thereof;  
FIG. 5 is a bottom view thereof; and,  
FIG. 6 is a second side view thereof.  
The rear view has been omitted and forms no part of the claimed design.

**1 Claim, 3 Drawing Sheets**



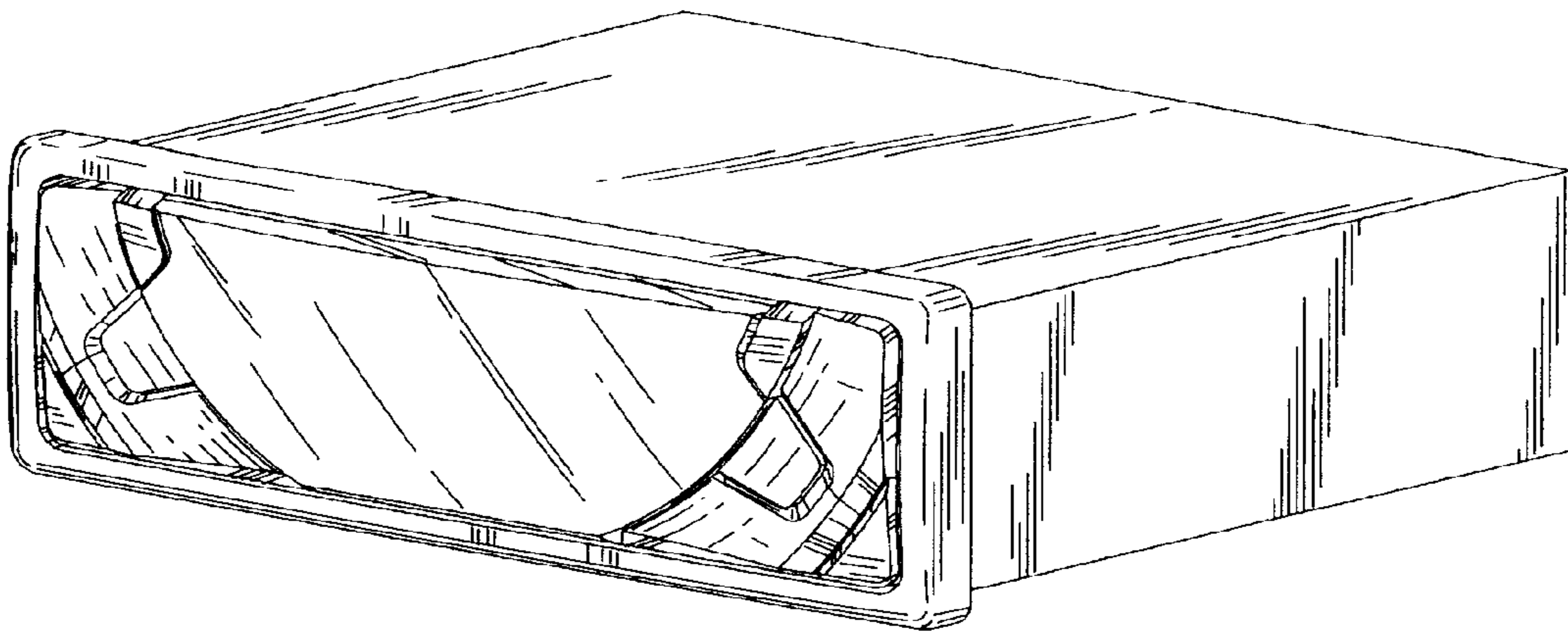


FIG. 1

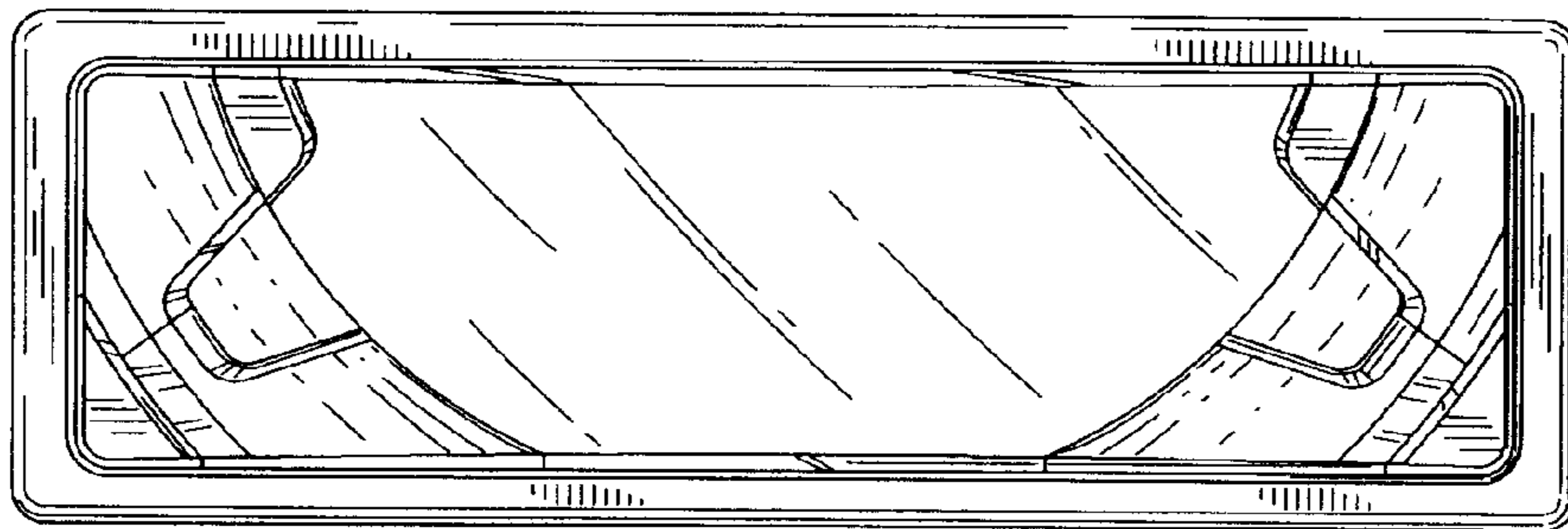


FIG. 2

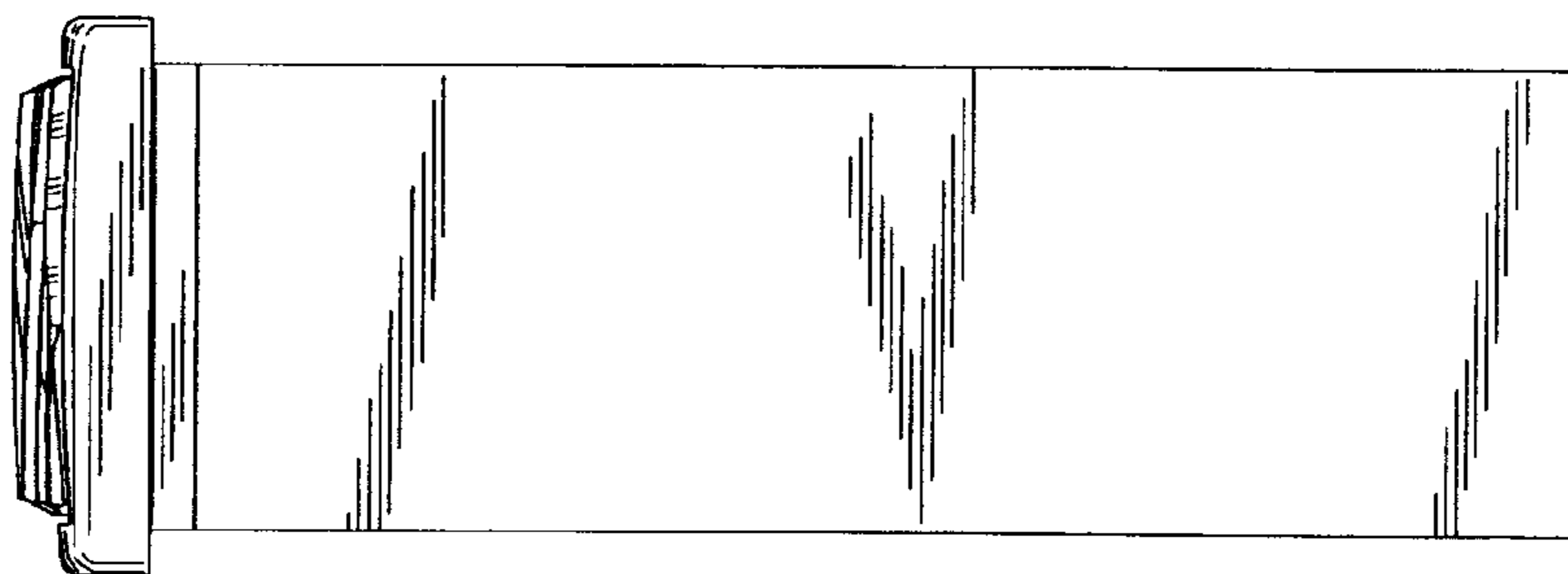


FIG. 3

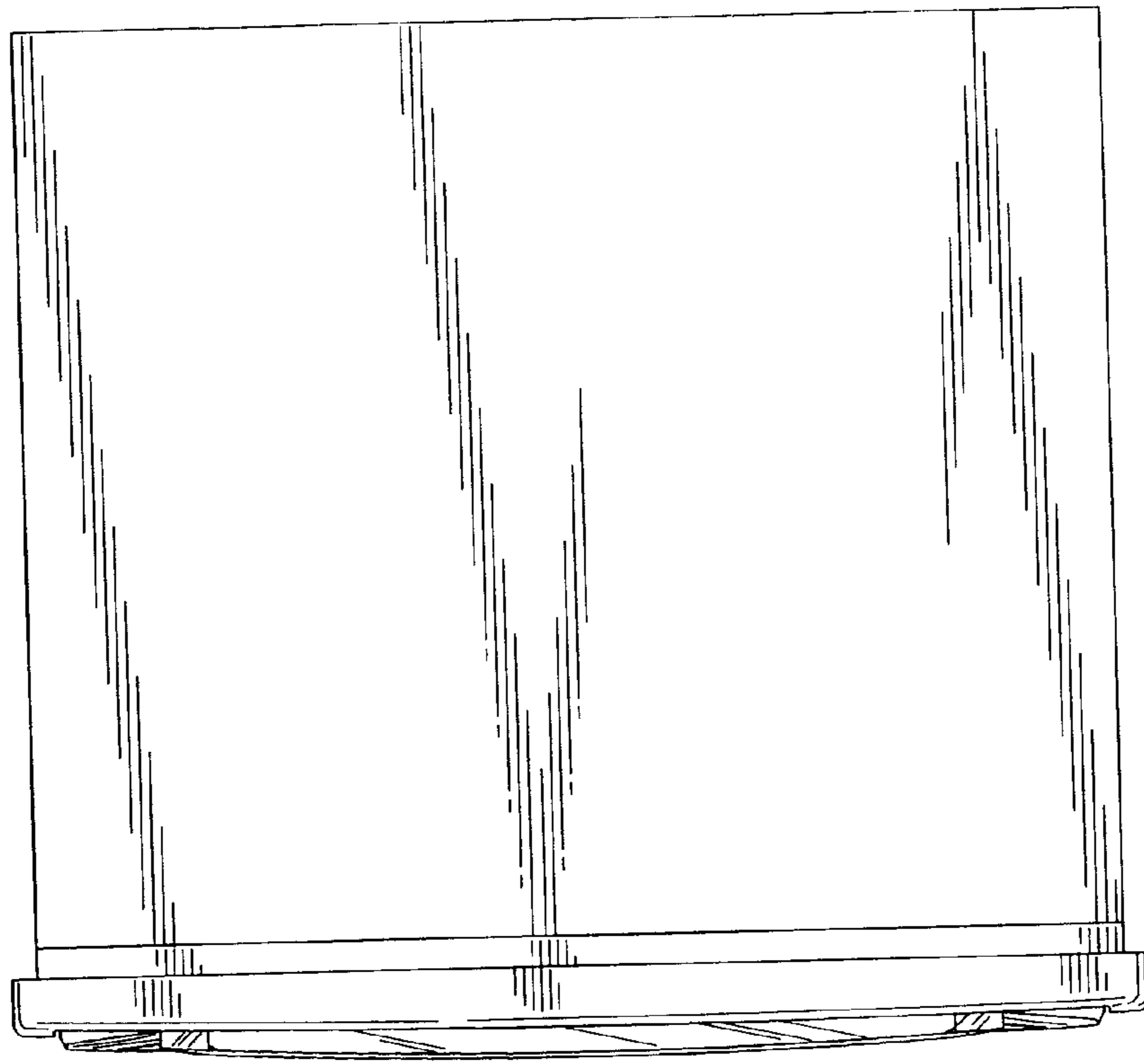


FIG. 4

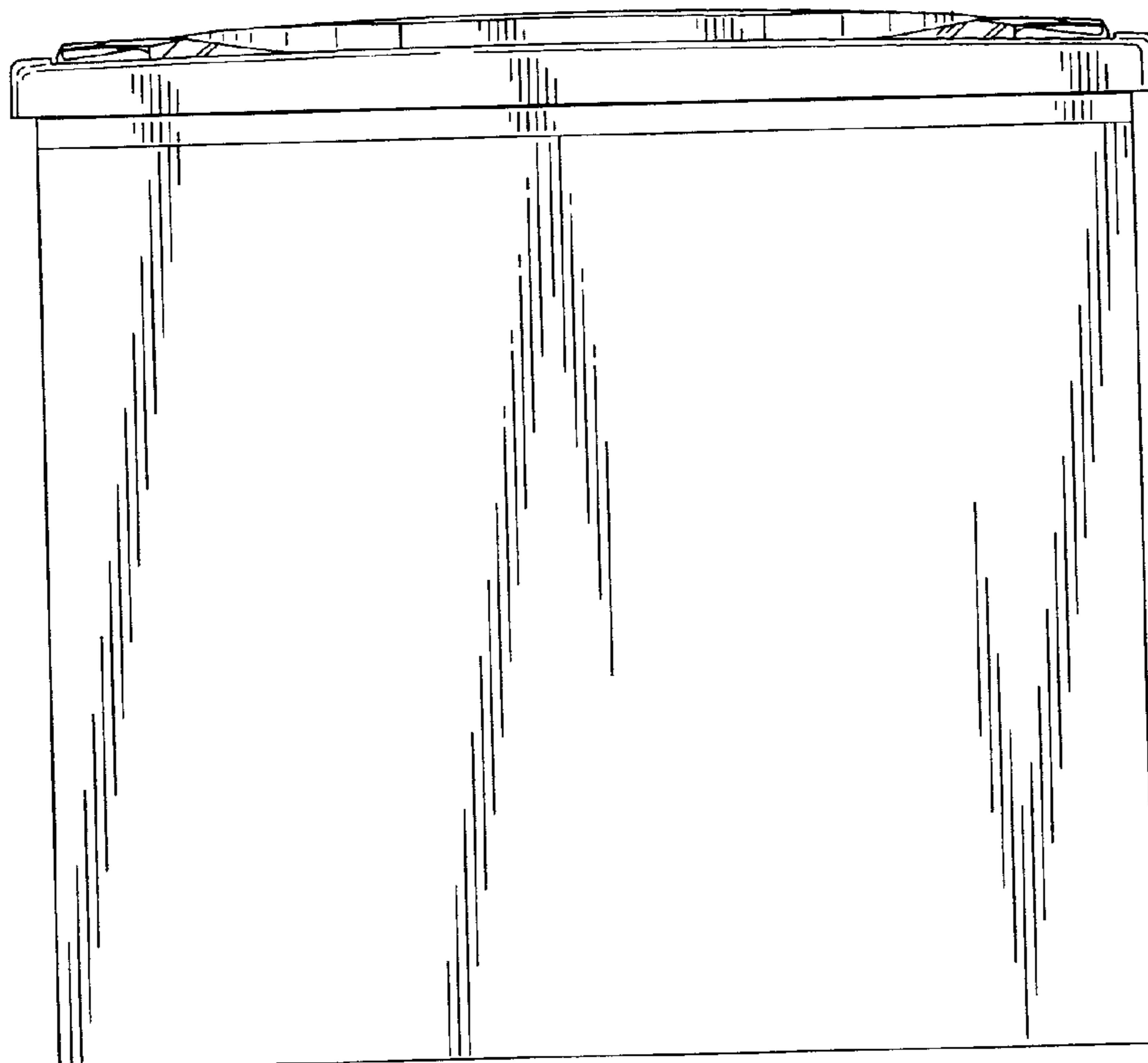
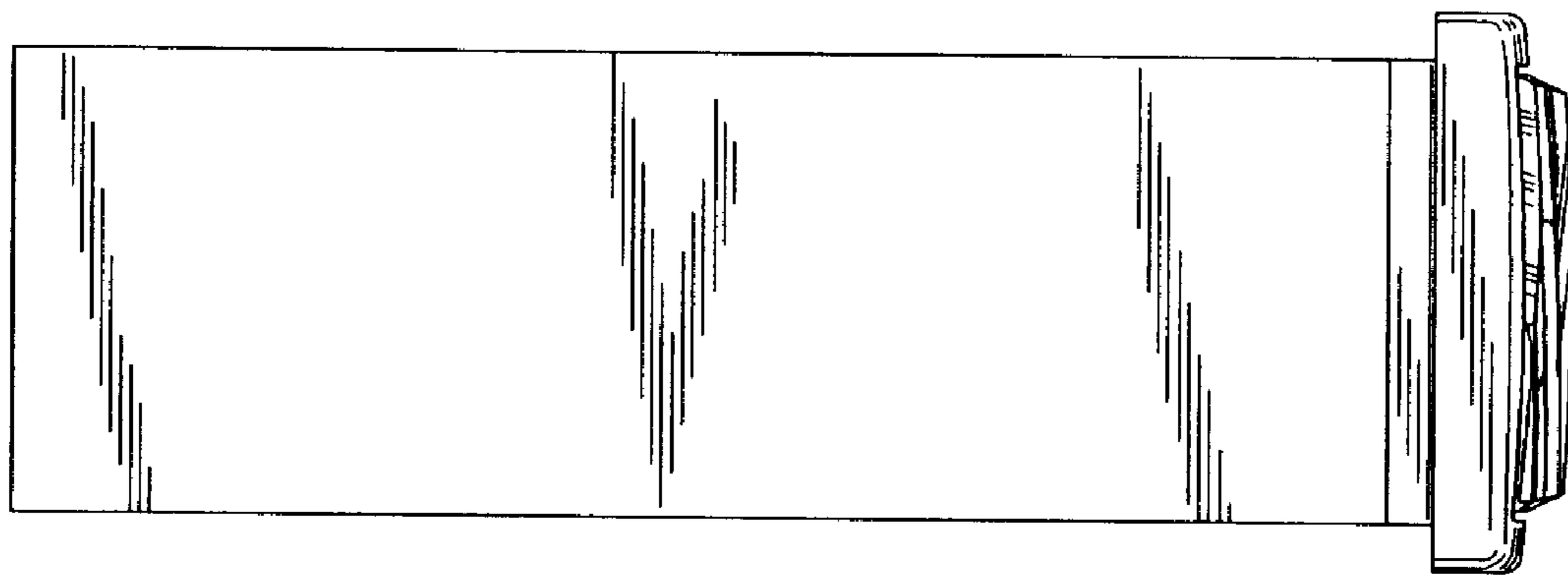


FIG. 5



**FIG. 6**